

[54] TOOTHBRUSH HEAD

[76] Inventor: Emilio Ambasz, 295, Central Park West, New York, N.Y. 10024

[**] Term: 14 Years

[21] Appl. No.: 139,433

[22] Filed: Dec. 30, 1987

[52] U.S. Cl. D4/104; D4/121

[58] Field of Search D4/100-114; D24/10-11; 15/106, 110, 159 R, 159 A, 160, 167.1-167.2, 172, 176.1-176.6; 132/84 R, 84 A-84 D; 401/268

[56] References Cited

U.S. PATENT DOCUMENTS

430,909	6/1890	Wonderly	15/172
1,327,807	1/1920	Burleigh	15/176.1
2,674,000	11/1949	McDonald, Jr. et al.	401/176
4,039,261	8/1977	Evans	401/268

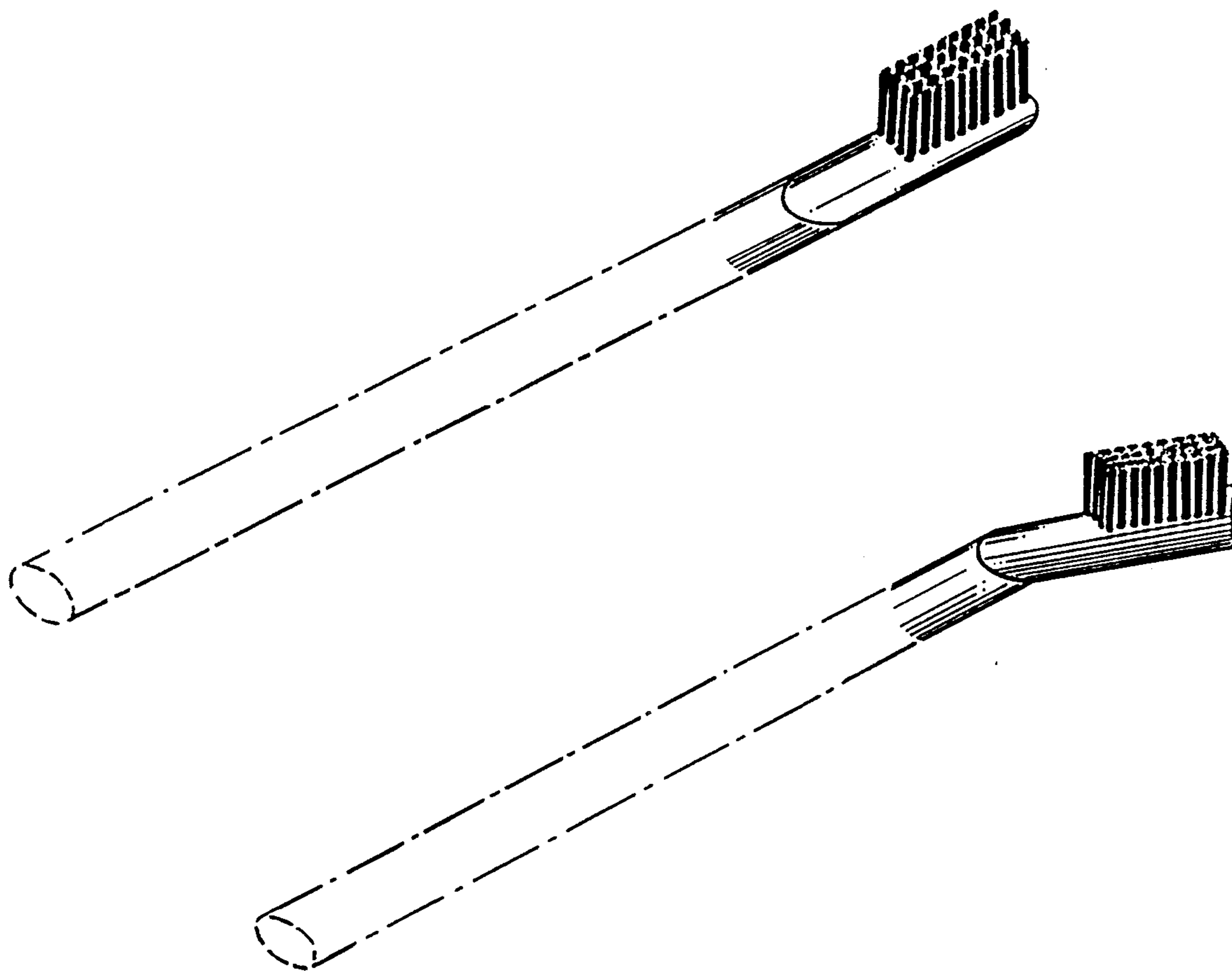
Primary Examiner—Wallace R. Burke
Assistant Examiner—Lavone D. Tabor

[57] CLAIM

The ornamental design for a toothbrush head, as shown and described.

DESCRIPTION

FIG. 1 is a perspective view of a toothbrush head embodying my new design;
FIG. 2 is a side elevational view thereof; the opposite side elevational view being a mirror image;
FIG. 3 is a top plan view thereof;
FIG. 4 is a bottom plan view thereof;
FIG. 5 is a left end elevational view thereof; the right end elevational view being the same image; and
FIG. 6 is a perspective view thereof, the head being pivoted at an angle with respect to the handle.
The broken line showing of the toothbrush handle is for illustrative purposes only and forms no part of the claimed design.



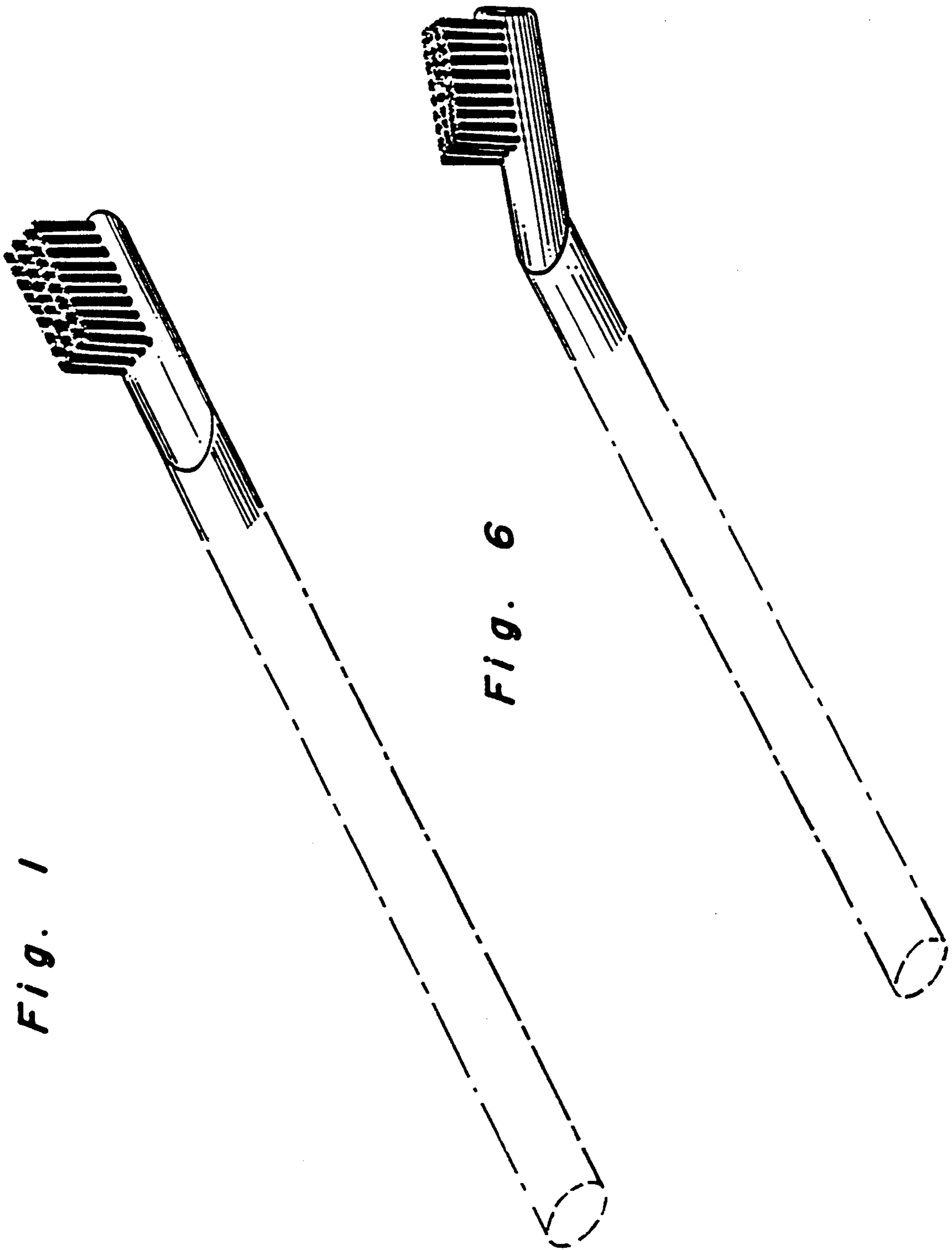


Fig. 1

Fig. 6

Fig. 2

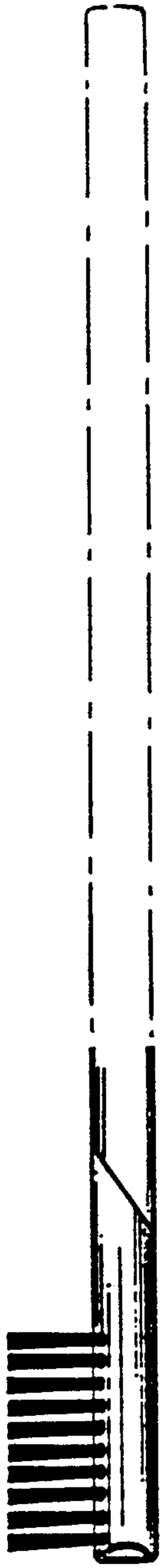


Fig. 3



Fig. 4



Fig. 5

