

[54] SWEATER DRYER

[75] Inventor: Brenner E. Smith, Greenfield, Mass.

[73] Assignee: J. H. Smith Co., Inc., Greenfield, Mass.

[\*\*] Term: 14 Years

[21] Appl. No.: 187,877

[22] Filed: Apr. 29, 1988

[52] U.S. Cl. .... D32/58

[58] Field of Search ..... D32/58-59;  
211/189, 195, 198, 200-203; 34/151, 237-239

[56] References Cited

U.S. PATENT DOCUMENTS

3,307,712 3/1967 Kurz ..... 211/195  
3,572,260 3/1971 Lehrman ..... 211/195 X  
4,862,602 9/1989 Krill ..... 34/239

FOREIGN PATENT DOCUMENTS

26820 6/1932 Netherlands ..... 34/238

OTHER PUBLICATIONS

White Quaint Shop, 1966 Shopper's Guide, Sweater Dryer, item No. 547, p. 50.

Primary Examiner—Wallace R. Burke

Assistant Examiner—Lavone D. Tabor

Attorney, Agent, or Firm—Chapin, Neal & Dempsey

[57] CLAIM

The ornamental design for an sweater dryer, as shown and described.

DESCRIPTION

FIG. 1 is a perspective view as seen from the top, side and one end of a sweater dryer showing my new design, the opposite side and opposite end being mirror images thereof;

FIG. 2 is an enlarged end elevational view thereof; and FIG. 3 is a bottom plan view of FIG. 1.

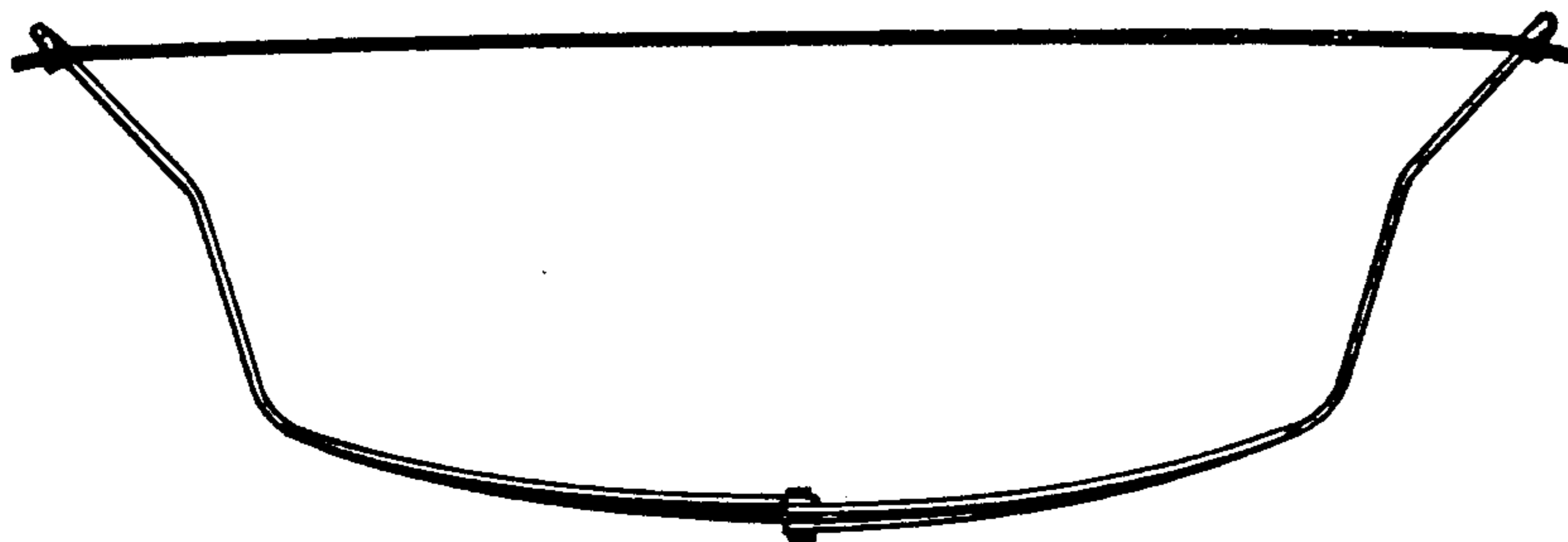
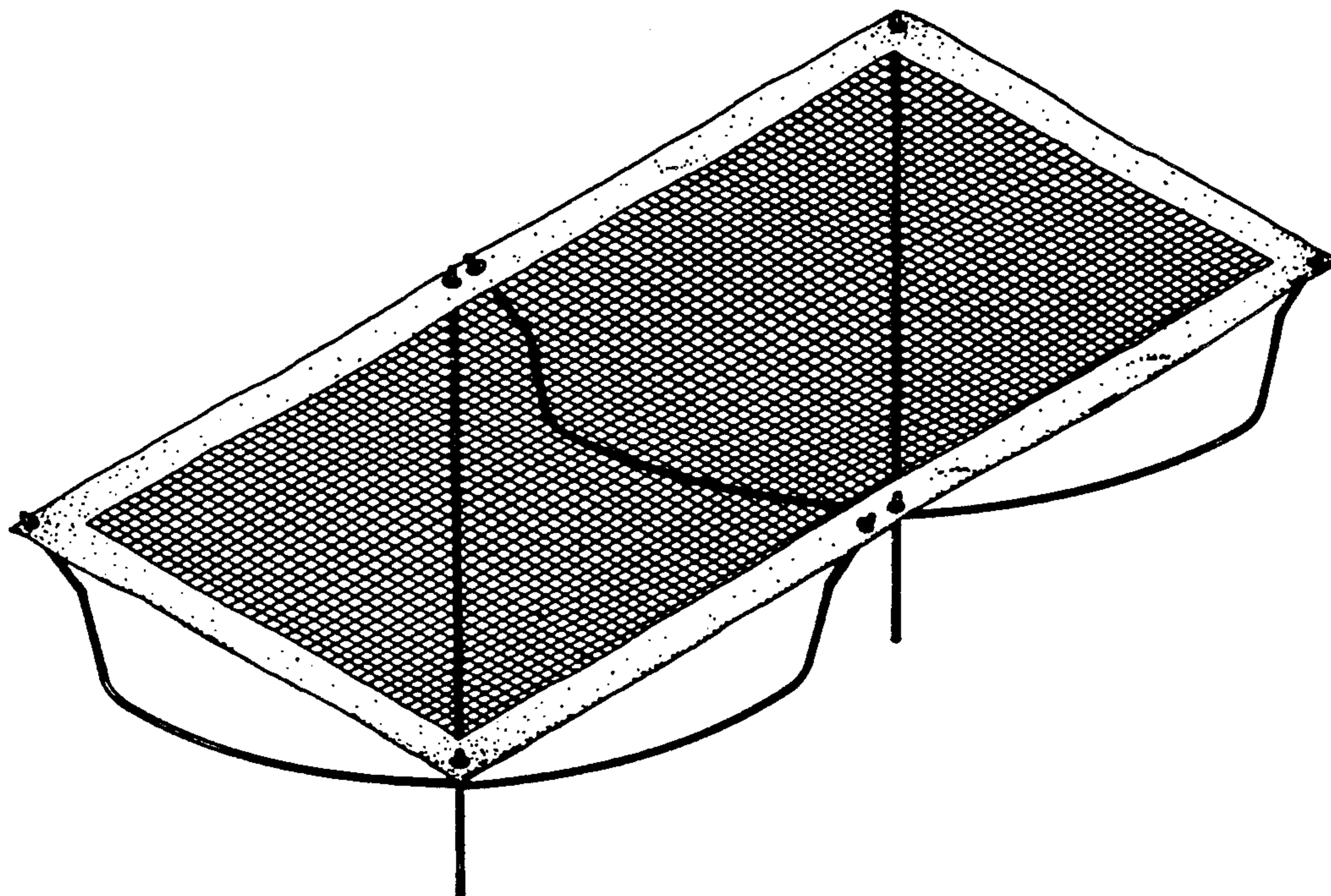


Fig. 1.

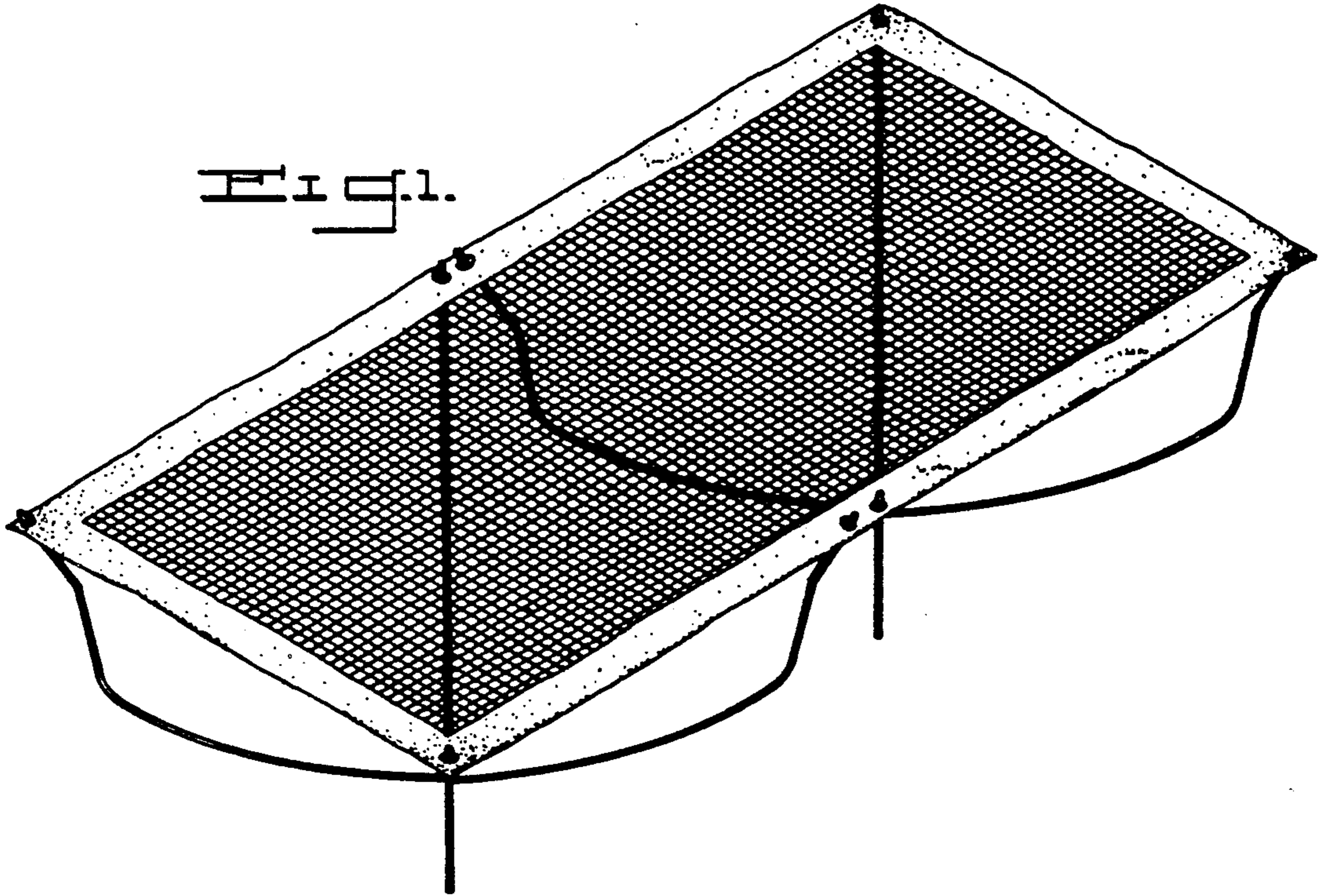


Fig. 2.

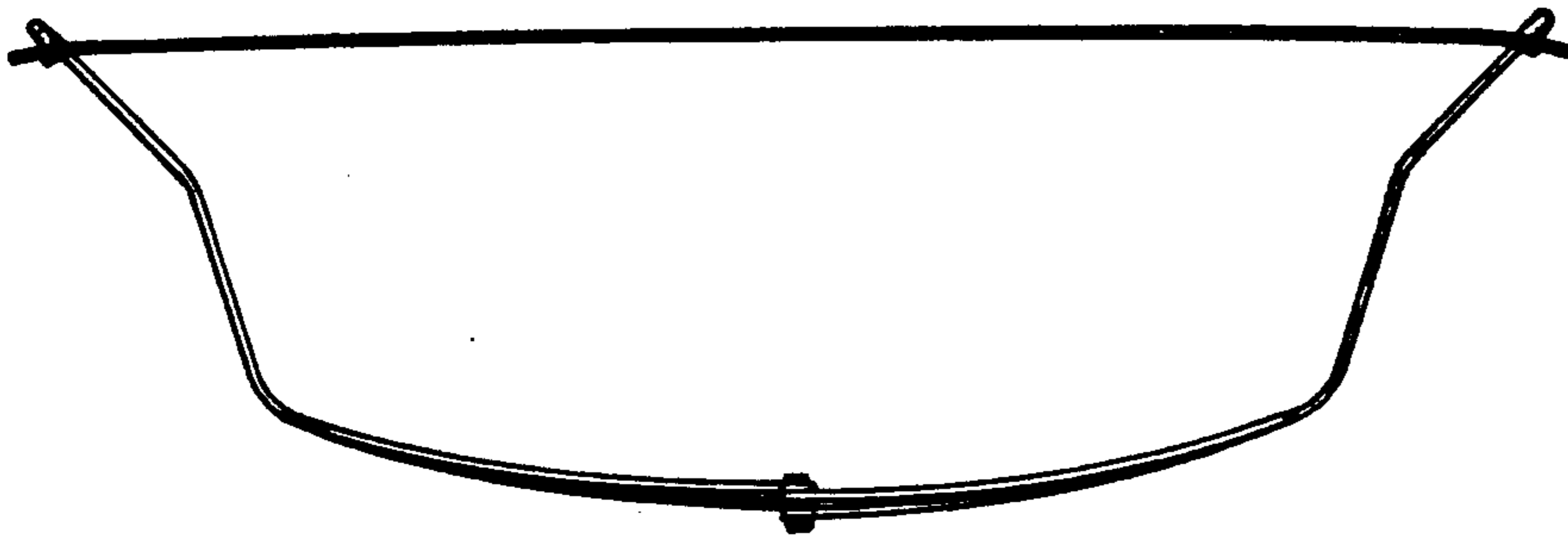


Fig. 3.

