

[54] **WALL MOUNTED EMERGENCY LIGHTING UNIT**

[75] **Inventor: Willfred Goldschmidt, Weston, Conn.**

[73] **Assignee: Emergi-Lite, Inc., Westbrook, Conn.**

[**] **Term: 14 Years**

[21] **Appl. No.: 304,401**

[22] **Filed: Jan. 30, 1989**

[52] **U.S. Cl. D26/85; D26/63**

[58] **Field of Search D26/72, 80-92, D26/60-65; 362/147, 235, 236, 240, 427, 432, 269, 362, 275, 363, 287, 418, 404, 419, 227**

[56] **References Cited**

U.S. PATENT DOCUMENTS

D. 209,004	10/1967	Little	D26/85 X
D. 214,938	8/1969	Pettengill	D26/85
D. 234,621	3/1975	Muller .	
D. 249,291	9/1978	Pemberton	D26/85
D. 264,253	5/1982	Goldschmidt et al.	D26/63
D. 288,857	3/1987	Spaine	D26/72 X
2,375,311	5/1945	Meyers	362/337 X
3,772,527	11/1973	Darling et al. .	
4,464,707	8/1984	Forrest	362/427 X

FOREIGN PATENT DOCUMENTS

1059564 6/1959 Fed. Rep. of Germany .

OTHER PUBLICATIONS

Home Lighting & Accessories, 12-19-87, p. 117, Wall Lantern, (bottom right).
 Light & Lighting, 7-1968, Cover ii, Wall Light Fixture.
 Lithonia Catalog Pages.
 Chloride Catalog Pages.
 Dual-Lite Catalog Pages.

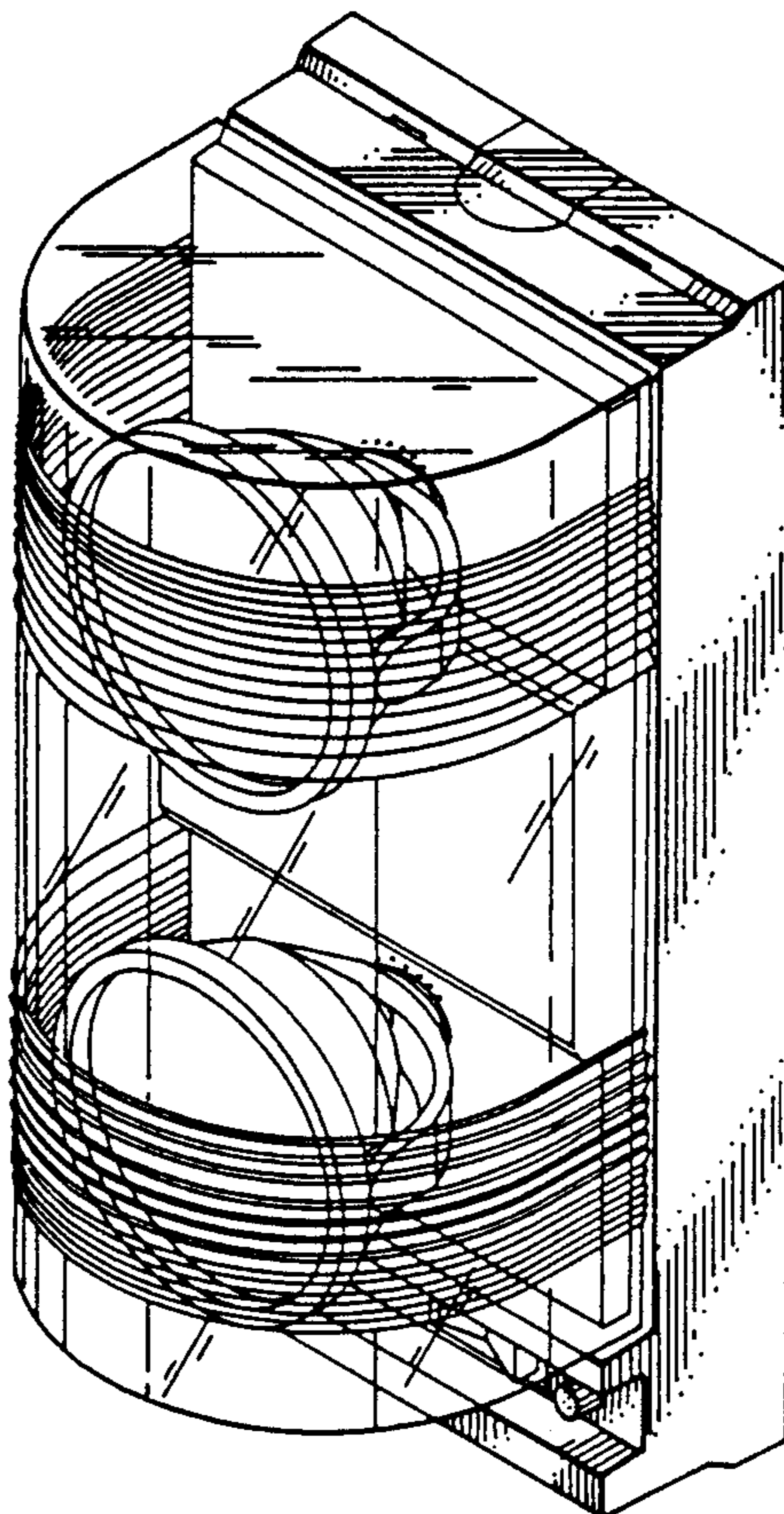
Primary Examiner—Susan J. Lucas

[57] **CLAIM**

The ornamental design for a wall mounted emergency light unit, as shown and described.

DESCRIPTION

FIG. 1 is a top front perspective view of a wall mounted emergency lighting unit showing my new design; FIG. 2 is a top plan view thereof on an enlarged scale; FIG. 3 is a bottom plan view thereof on an enlarged scale; FIG. 4 is a rear elevational view thereof on an enlarged scale; FIG. 5 is a side elevational view thereof on an enlarged scale; the opposite side being a mirror image; and FIG. 6 is a front elevational view thereof on an enlarged scale.



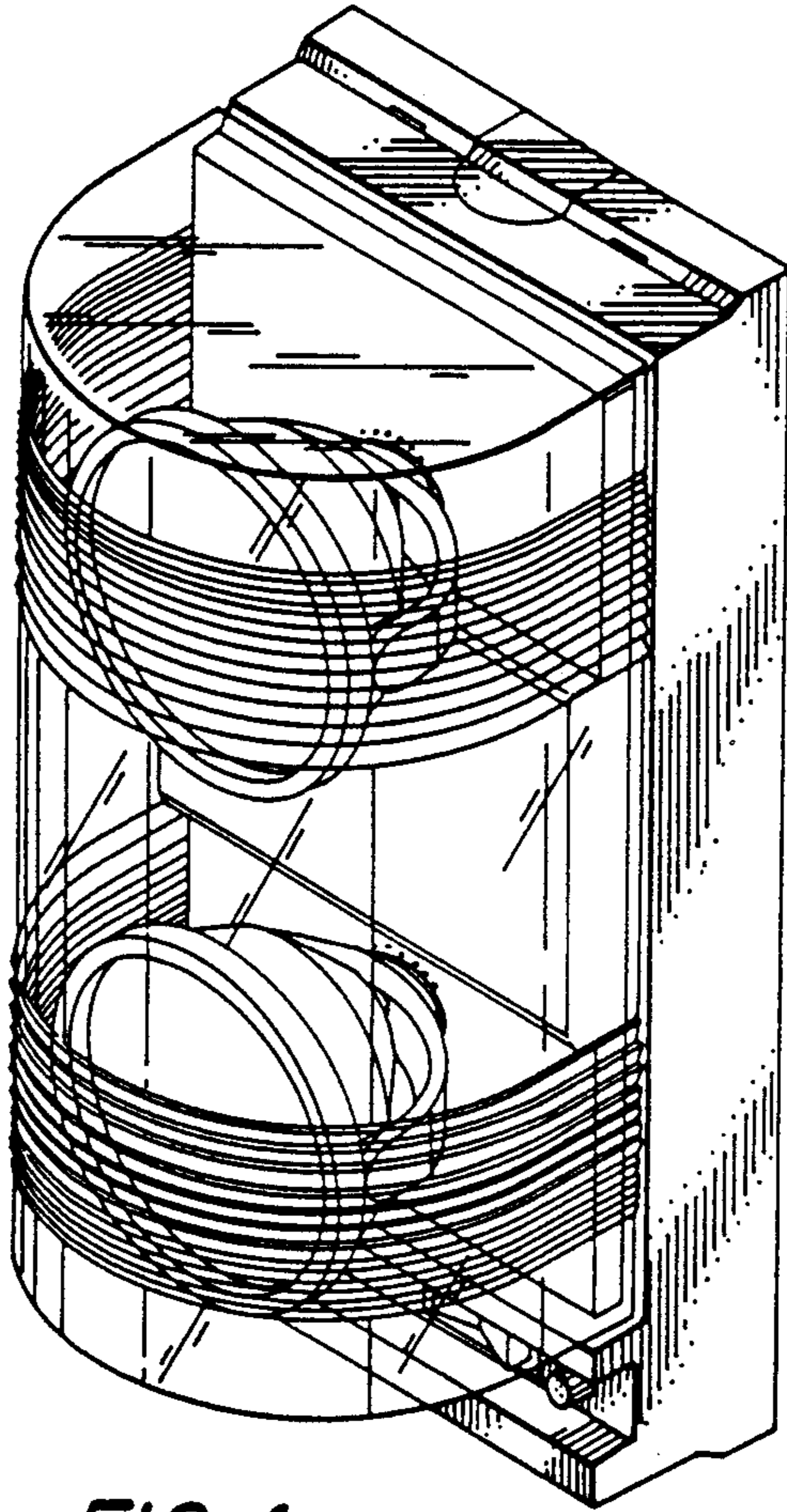


FIG. 1

FIG. 2

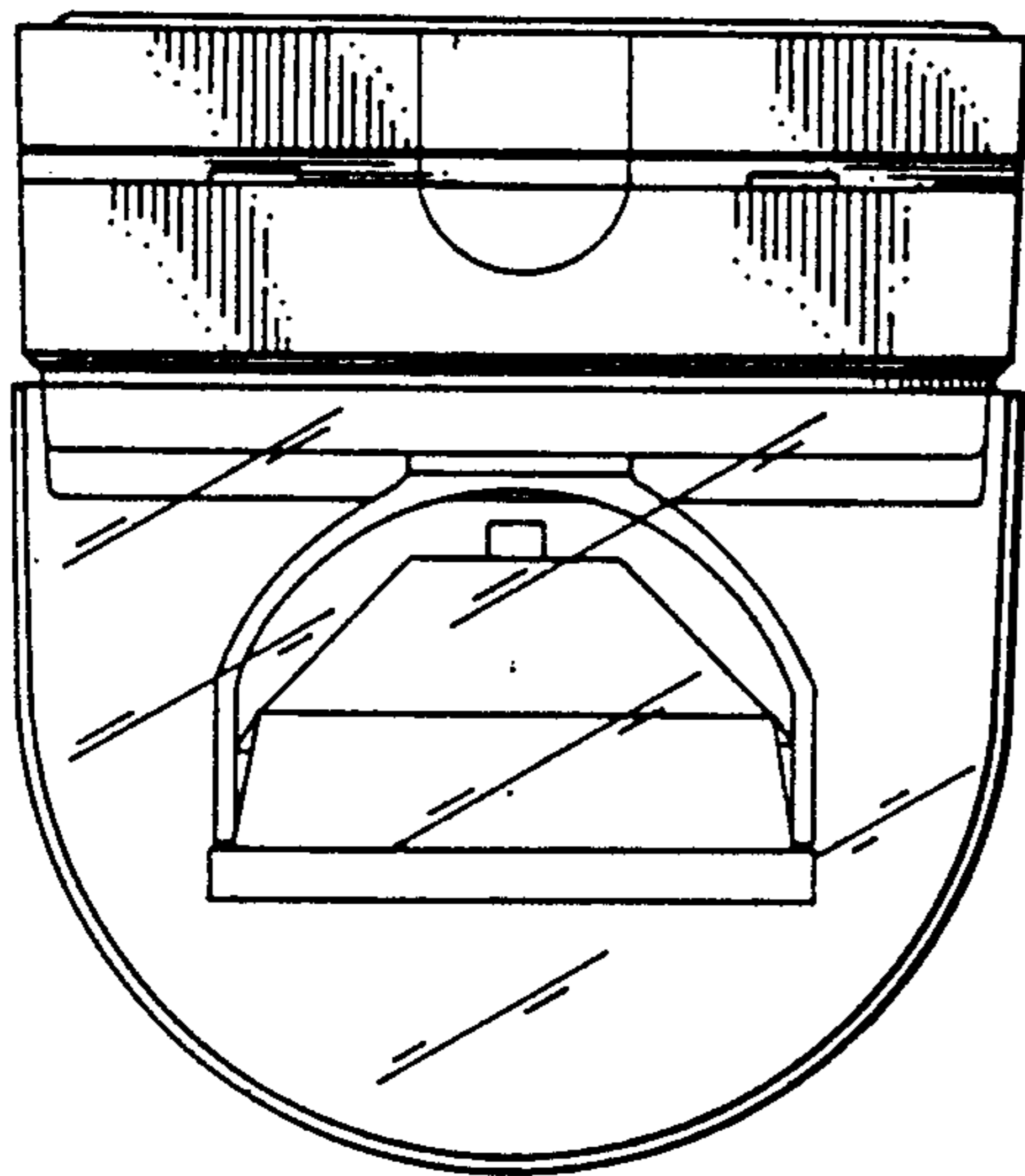
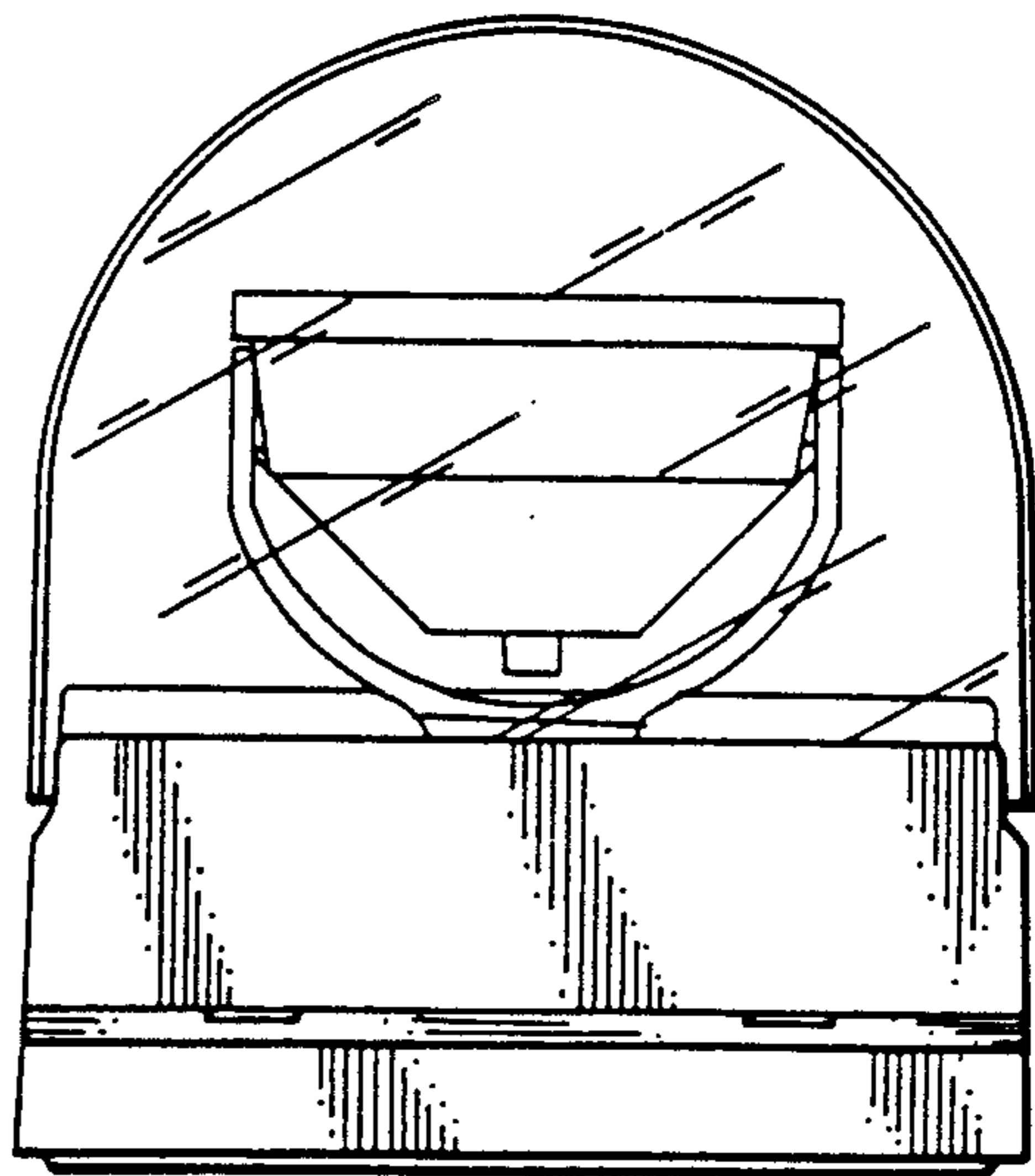


FIG. 3



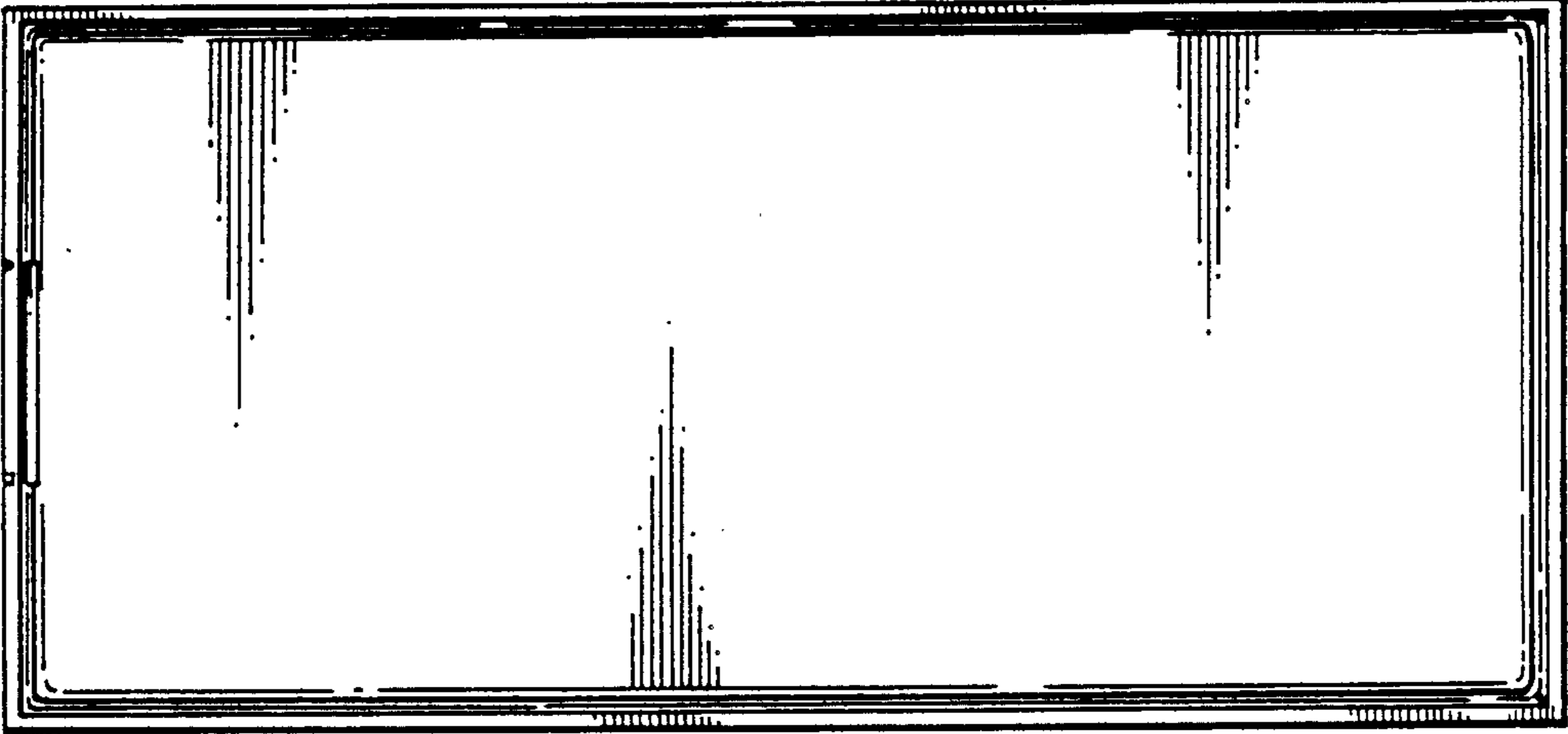


FIG. 4

FIG. 5

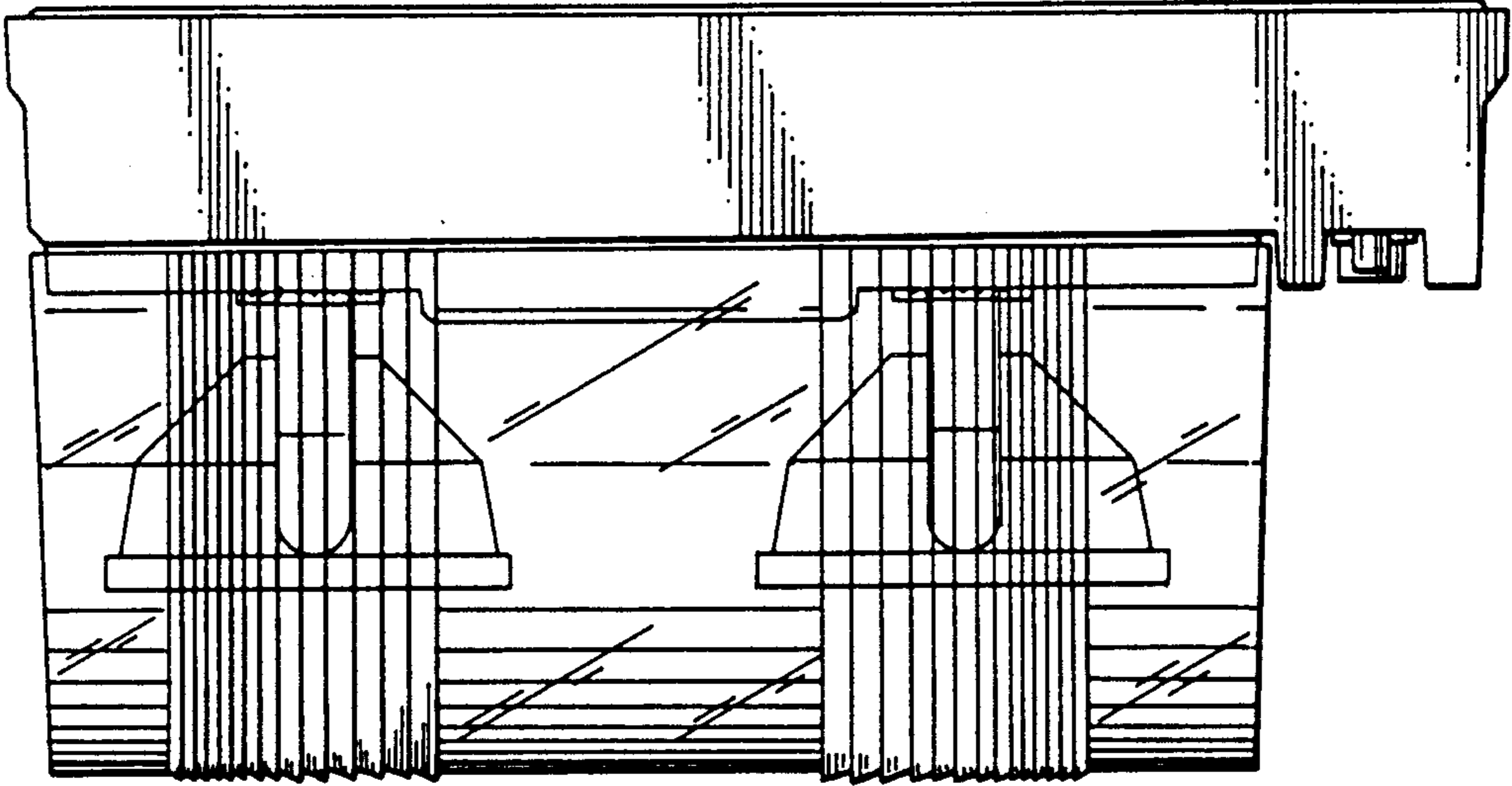


FIG. 6

