

[54] DUAL FLANGED HOUSING FOR TRACK LIGHTING FIXTURE

[75] Inventor: Bruce N. Layne, Wheaton, Ill.

[73] Assignee: Cooper Industries, Houston, Tex.

[**] Term: 14 Years

[21] Appl. No.: 335,152

[22] Filed: Apr. 7, 1989

[52] U.S. Cl. D26/63

[58] Field of Search D26/60-65;
362/147, 269, 275, 287, 418, 419, 427, 404, 432

[56] References Cited

U.S. PATENT DOCUMENTS

D. 120,741	5/1940	Naylor	D26/65
D. 234,218	1/1975	Donato	D26/65
D. 296,014	5/1988	Wierzbicki	D26/63
3,040,993	6/1982	Schultz	362/269

OTHER PUBLICATIONS

Caprilite Lighting Catalog ©1981, p. 9, par 36 Lamp-holder CT 636LV.

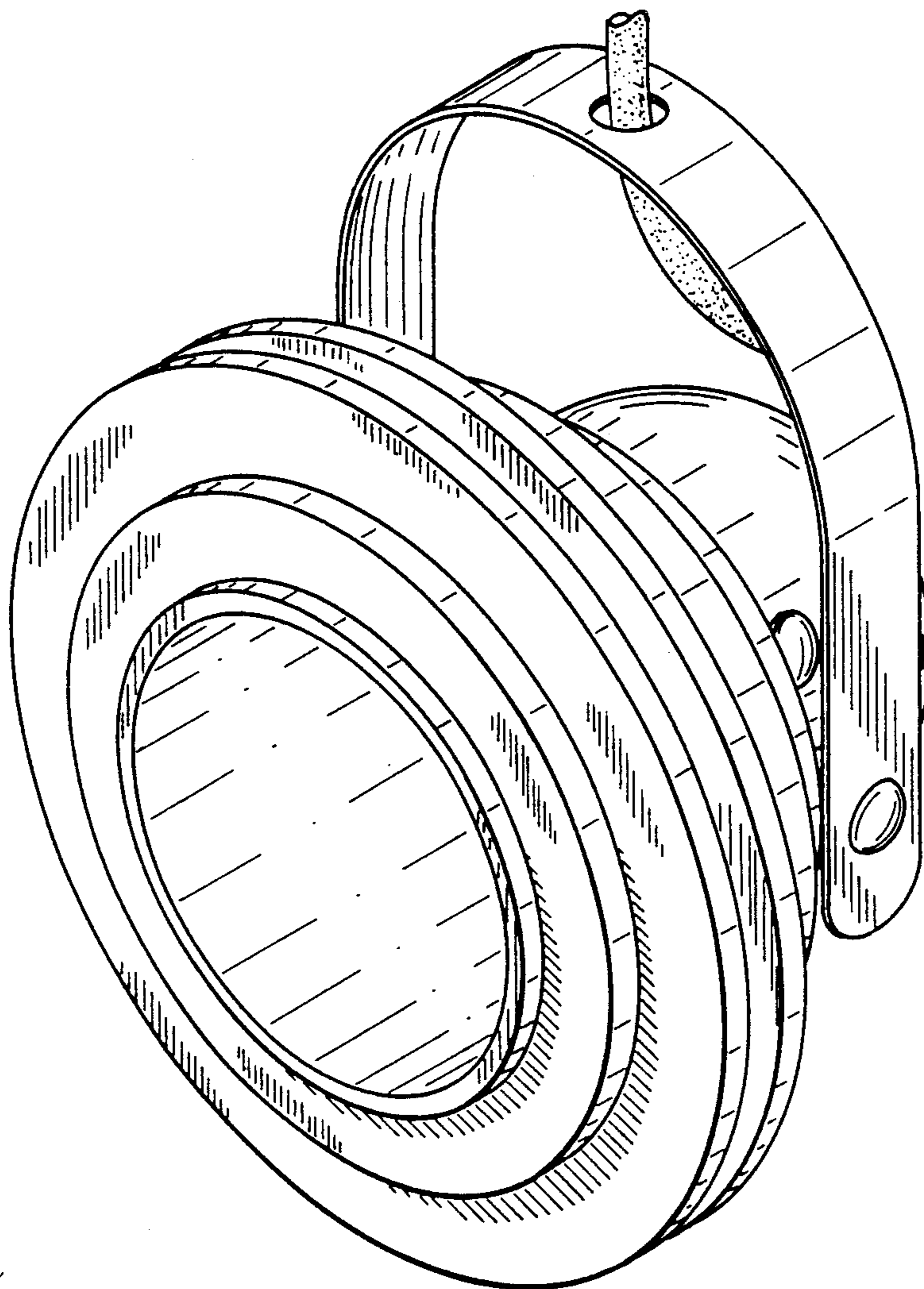
Primary Examiner—Susan J. Lucas
Attorney, Agent, or Firm—Eddie E. Scott; Alan R. Thiele; Elliott Cox

[57] CLAIM

The ornamental design for a dual flanged housing for track lighting fixture, as shown.

DESCRIPTION

FIG. 1 is a perspective view of a dual flanged housing for track lighting fixture showing my new design; FIG. 2 is a right side elevational view; thereof FIG. 3 is a front elevational view; thereof FIG. 4 is a left side elevational view; thereof FIG. 5 is a rear elevational view; thereof FIG. 6 is a bottom plan view; and thereof FIG. 7 is a top plan view thereof.



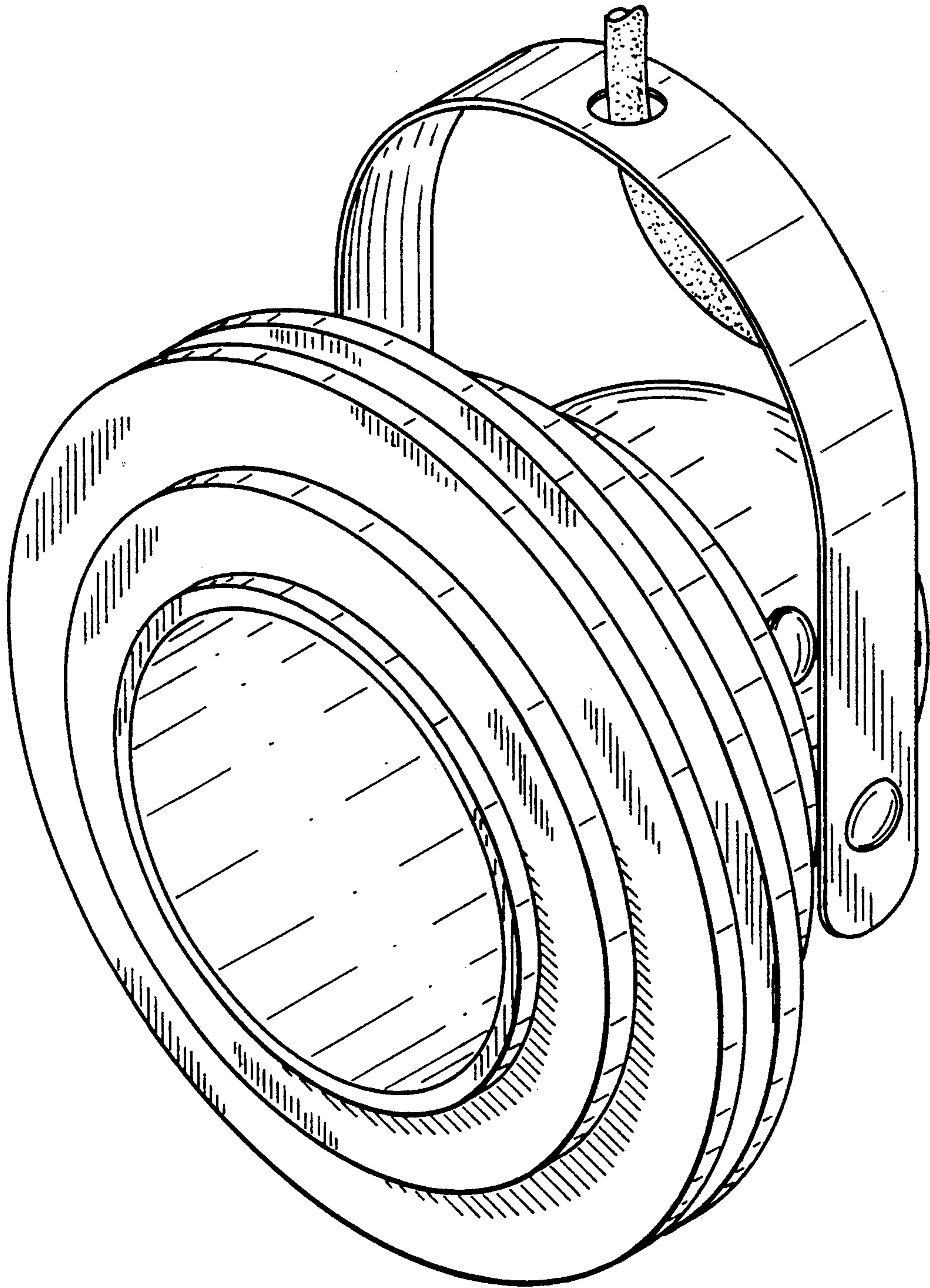


Fig. 1

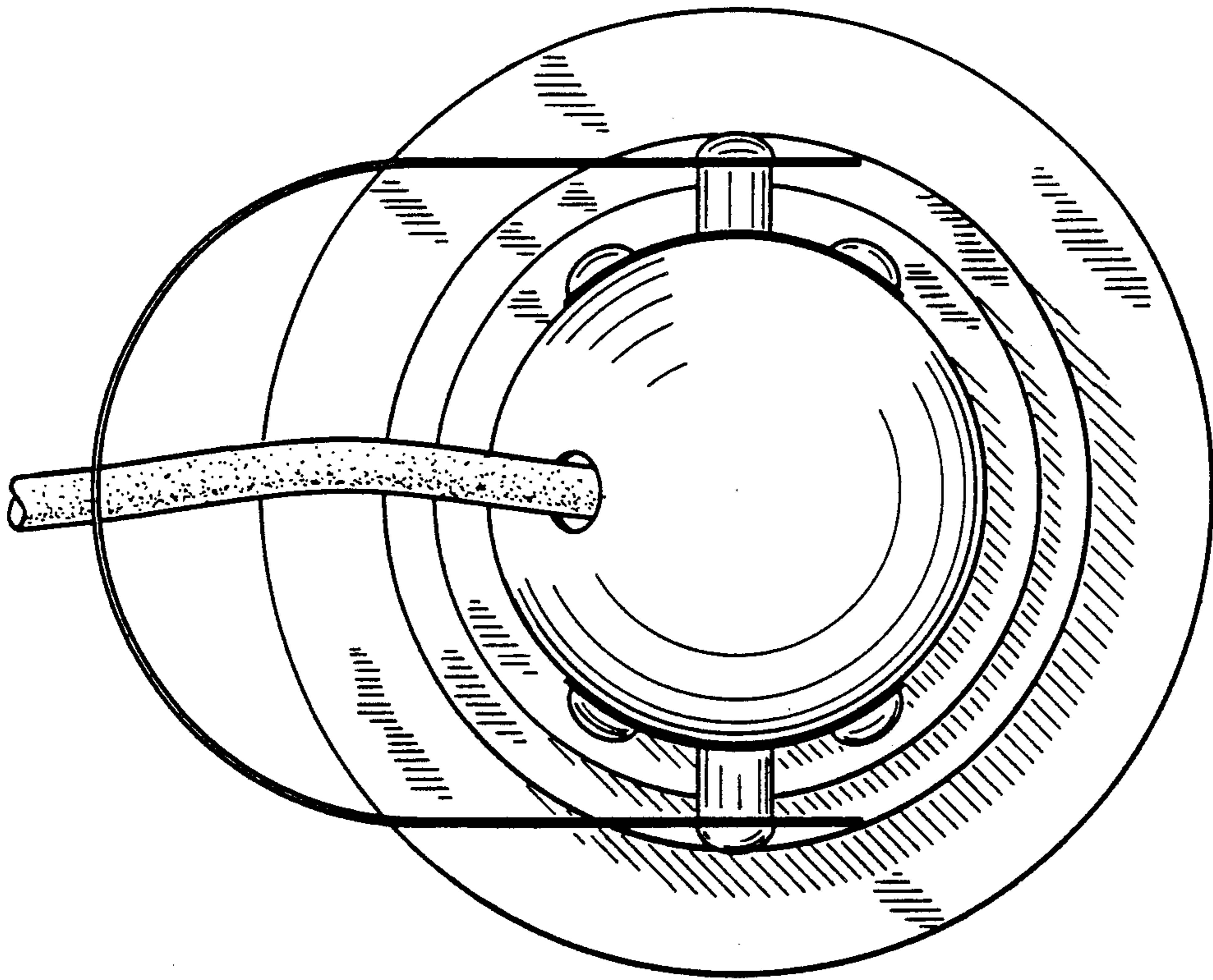


Fig. 3

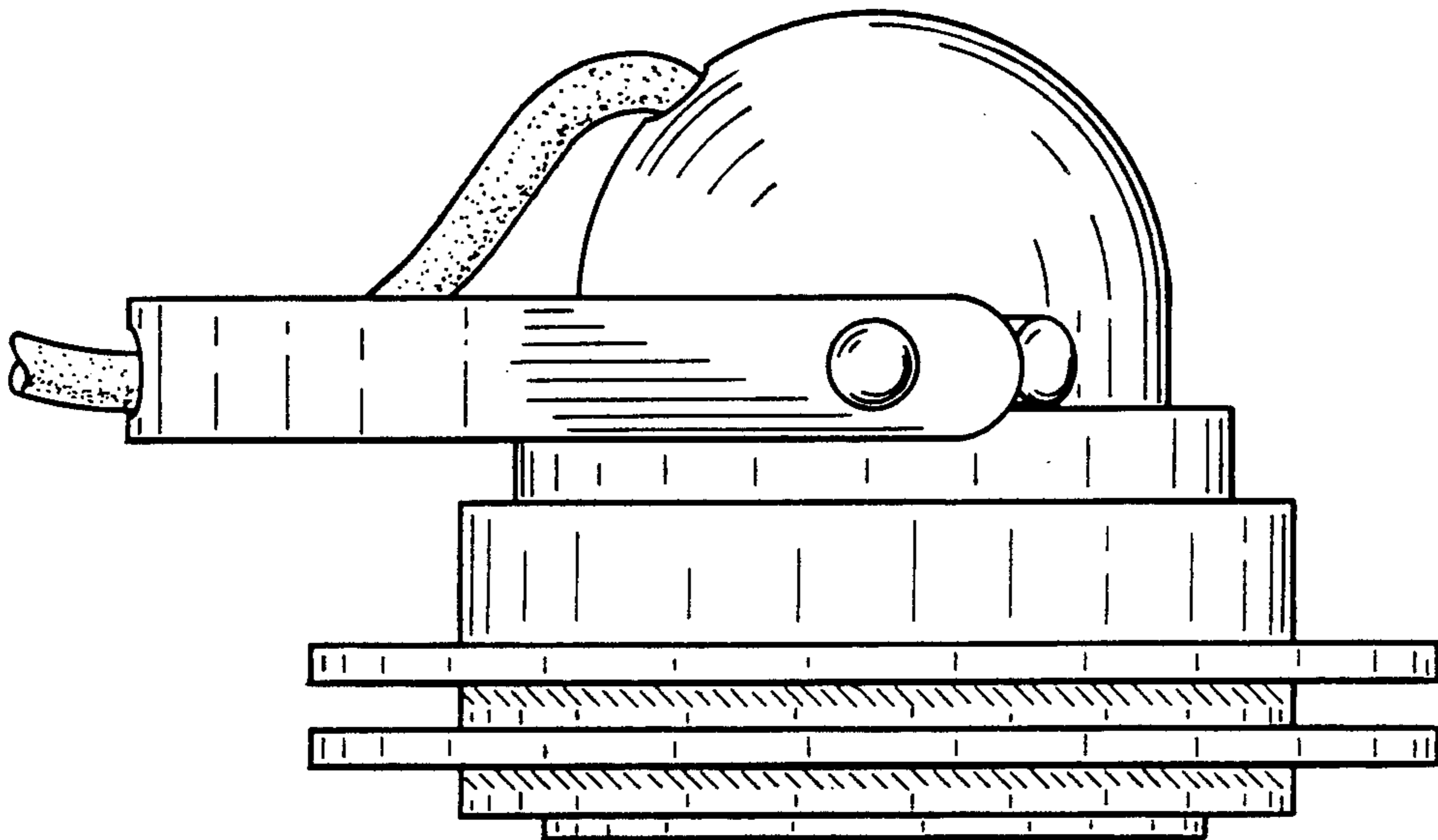


Fig. 2

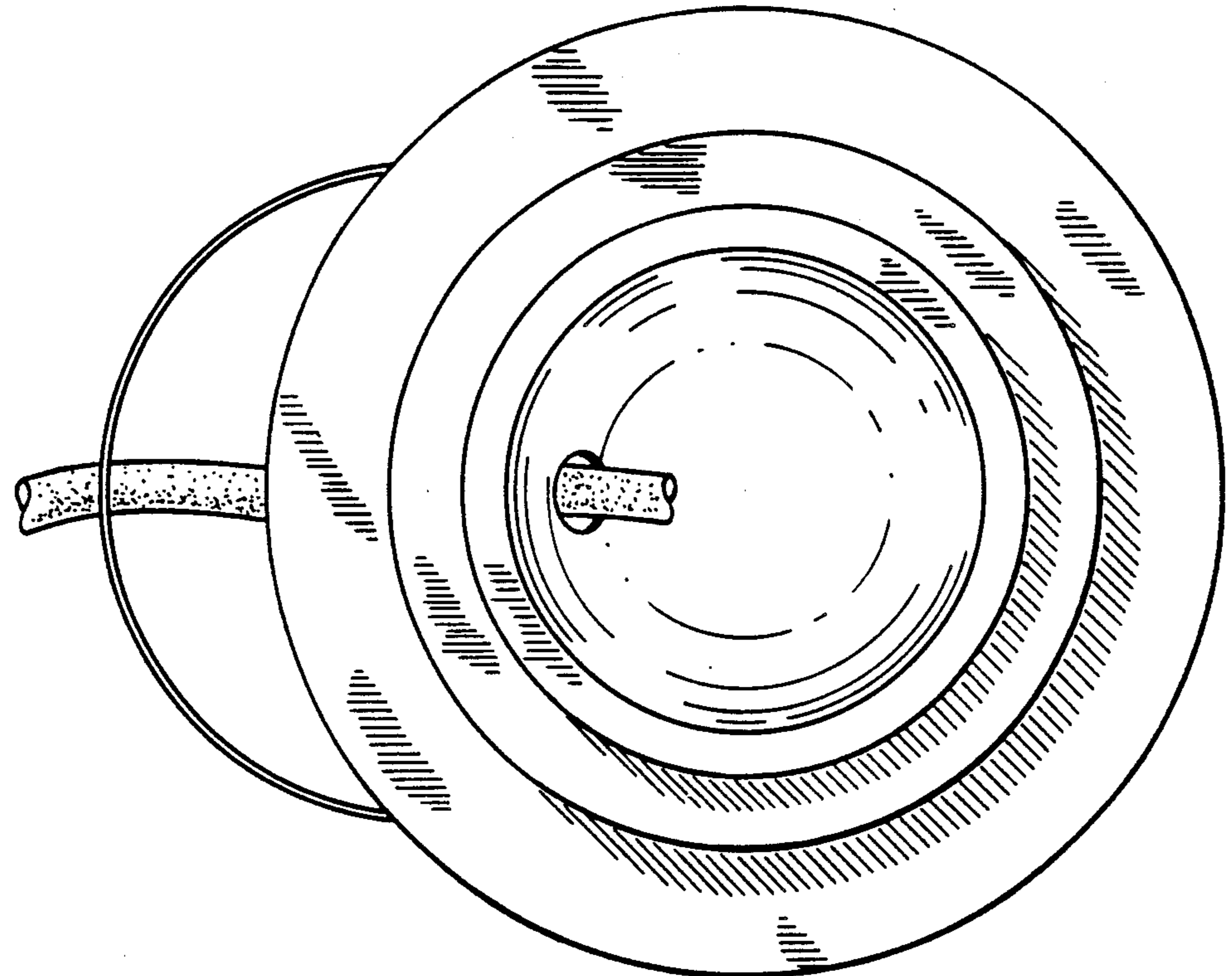


Fig. 5

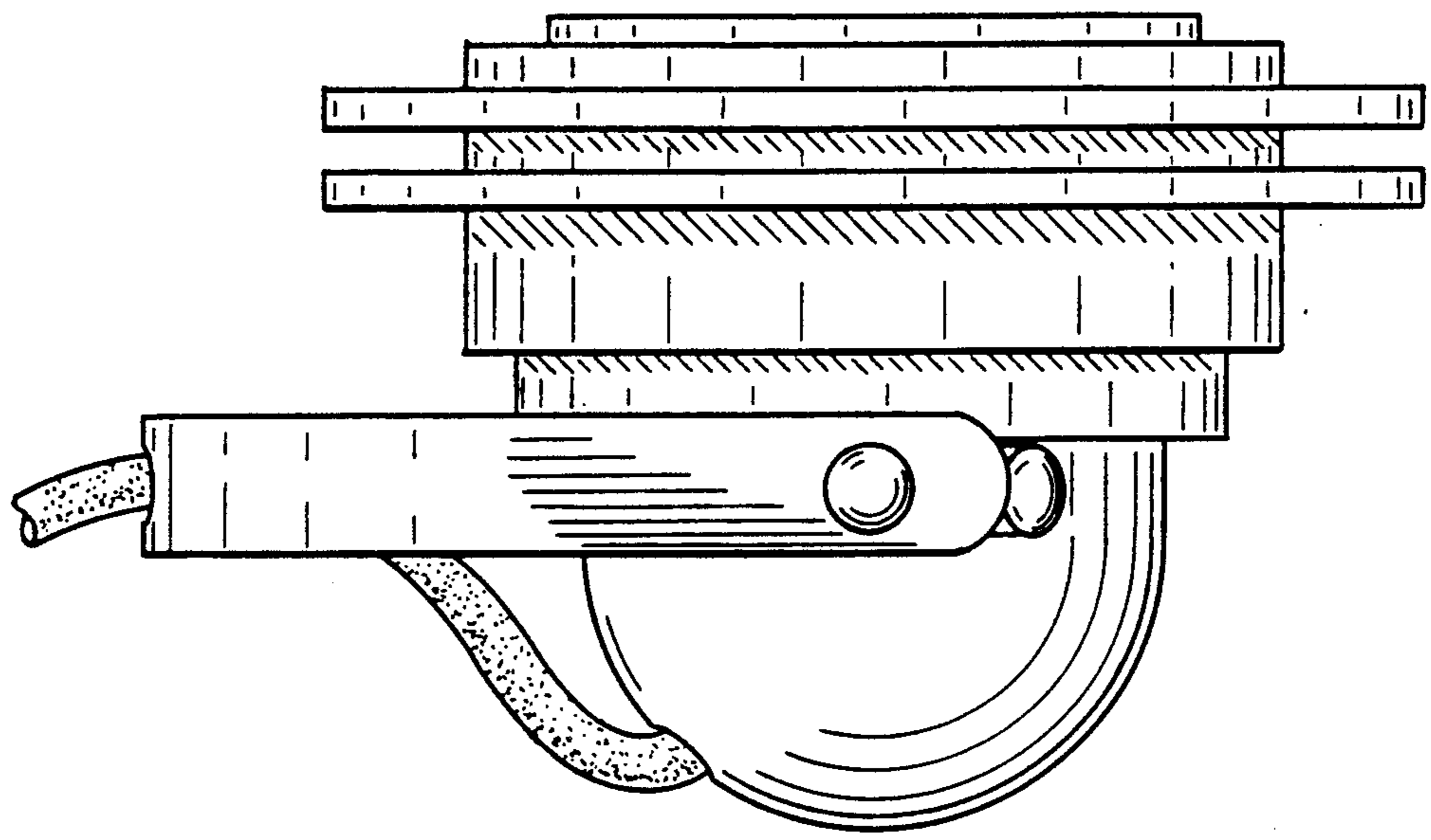


Fig. 4

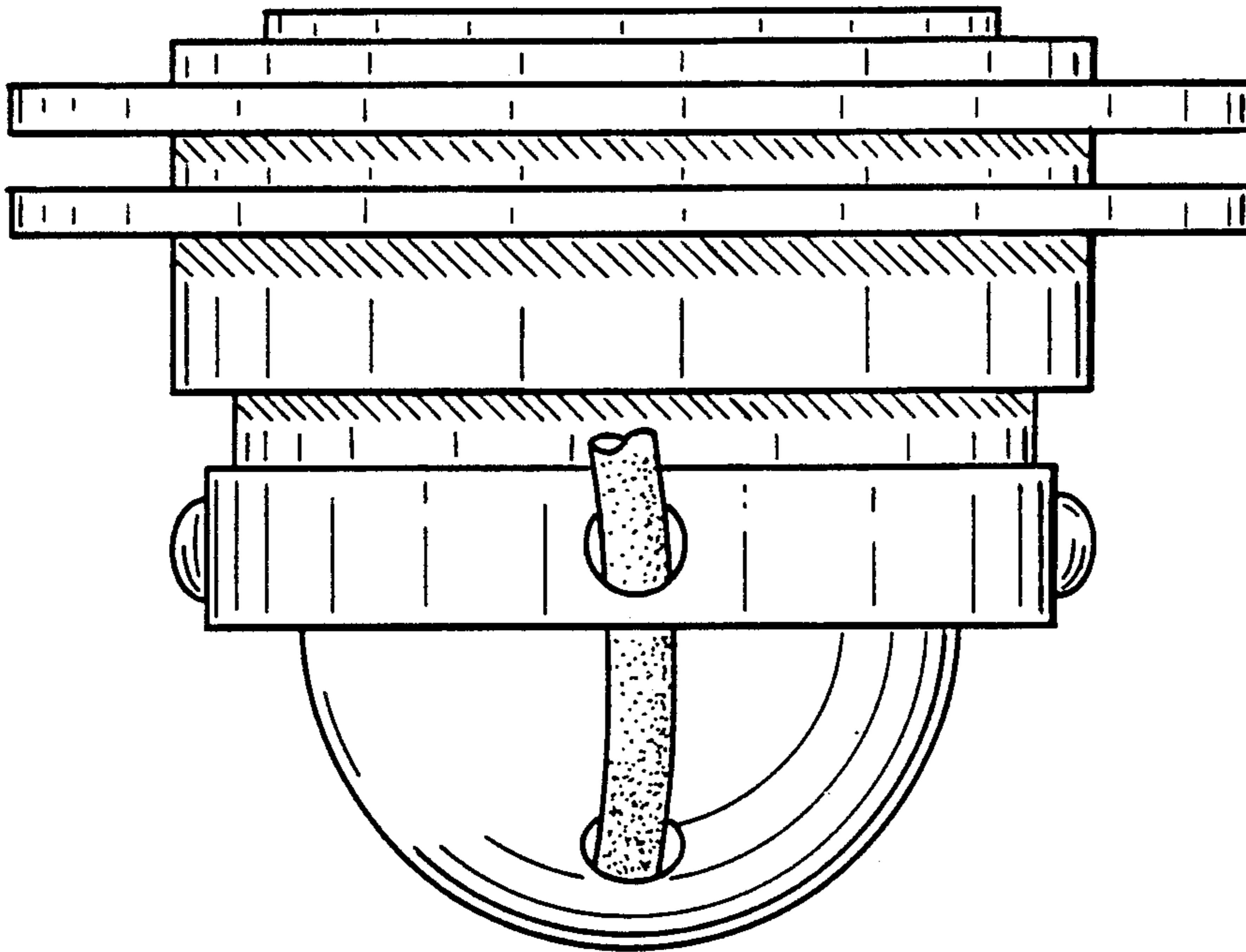


Fig. 7

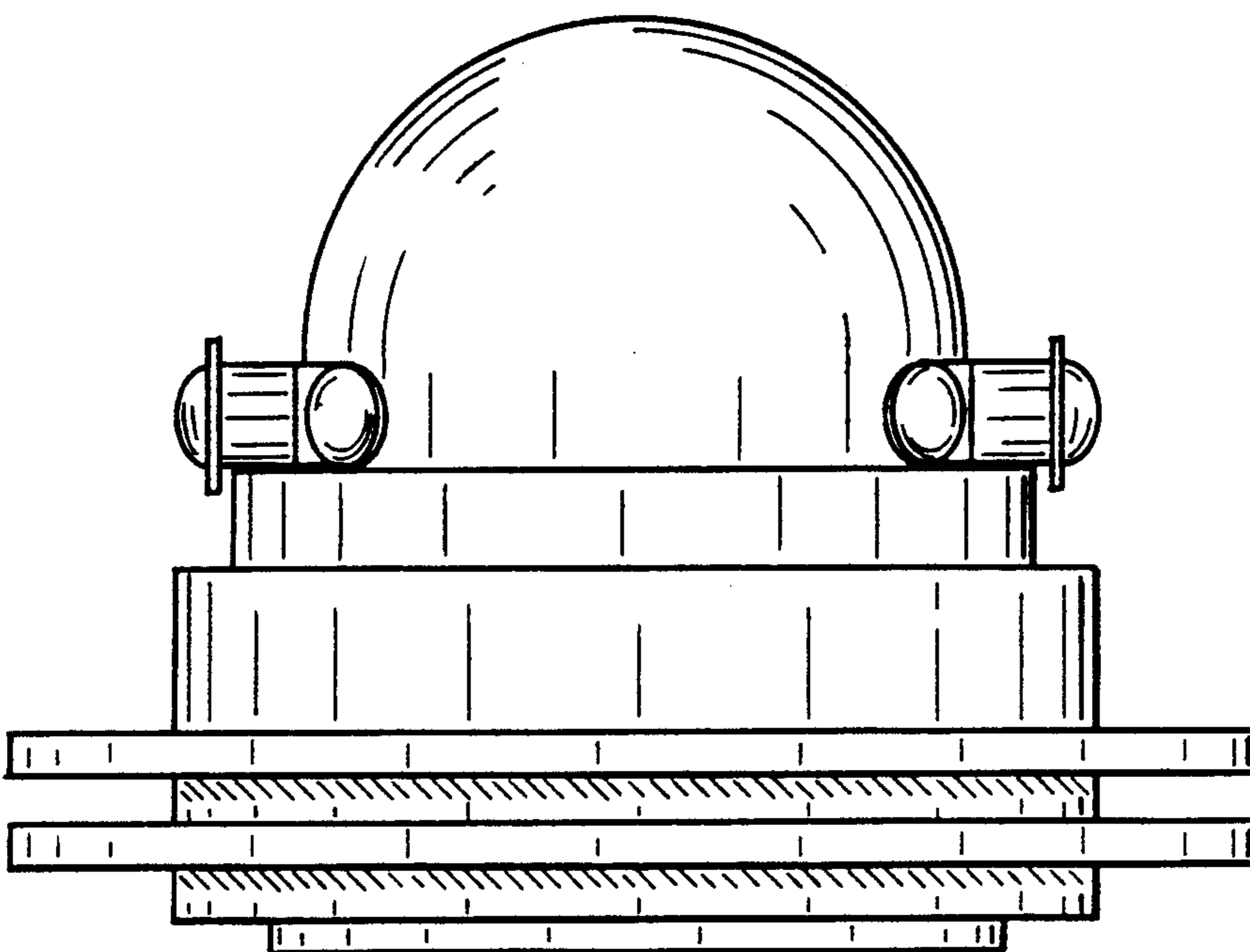


Fig. 6