

[54] TRACK LIGHTING FIXTURE

4,814,955 3/1989 Price 362/275

[75] Inventor: Bruce N. Layne, Wheaton, Ill.

Primary Examiner—Susan J. Lucas
Attorney, Agent, or Firm—Eddie E. Scott; Alan R. Thiele; Elliott Cox

[73] Assignee: Cooper Industries, Houston, Tex.

[**] Term: 14 Years

[57] CLAIM

[21] Appl. No.: 282,354

The ornamental design for a track lighting fixture, as shown and described.

[22] Filed: Dec. 9, 1988

DESCRIPTION

[52] U.S. Cl. D26/63

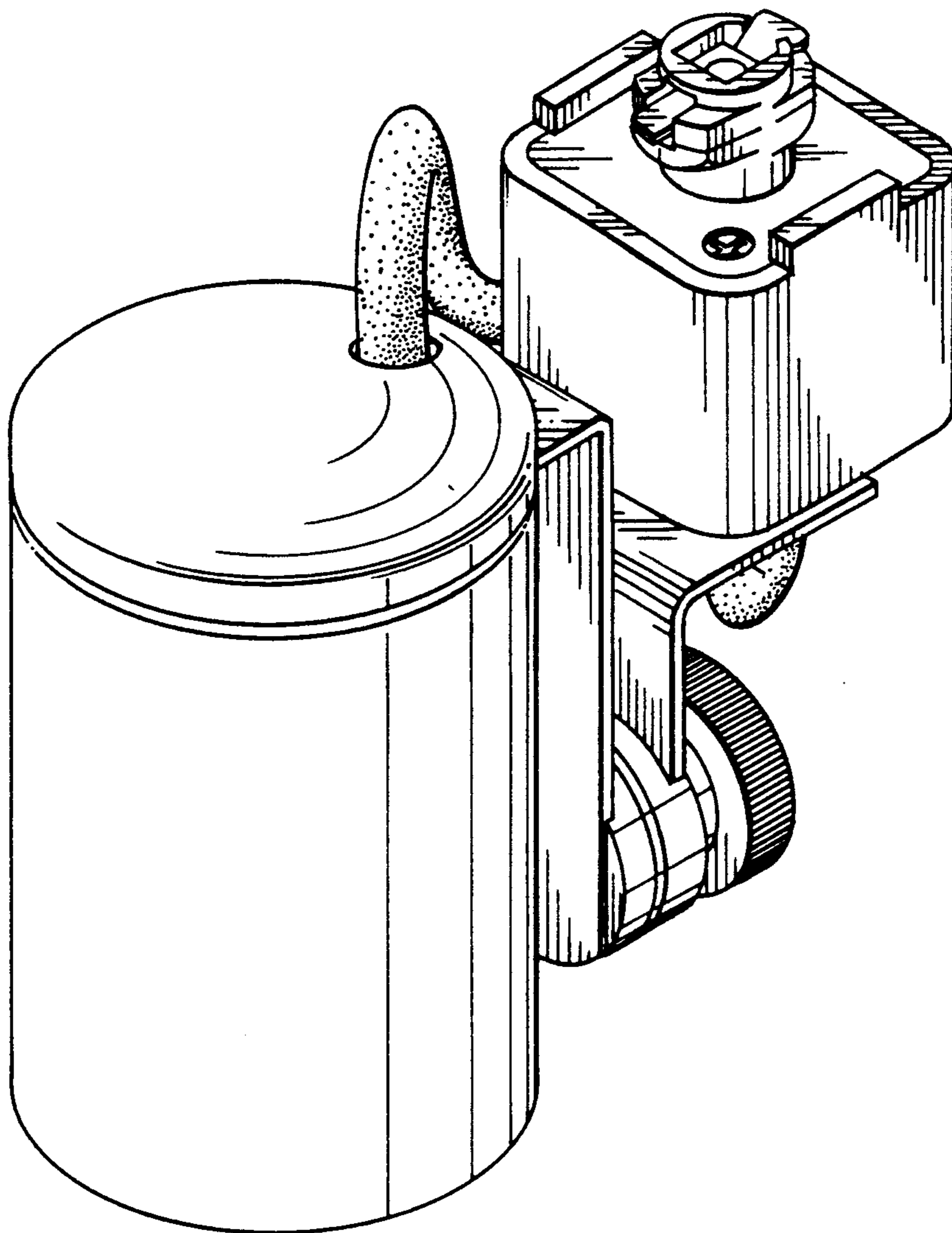
[58] Field of Search D26/60-65;
362/147, 269, 275, 287, 418, 419, 427, 404, 432

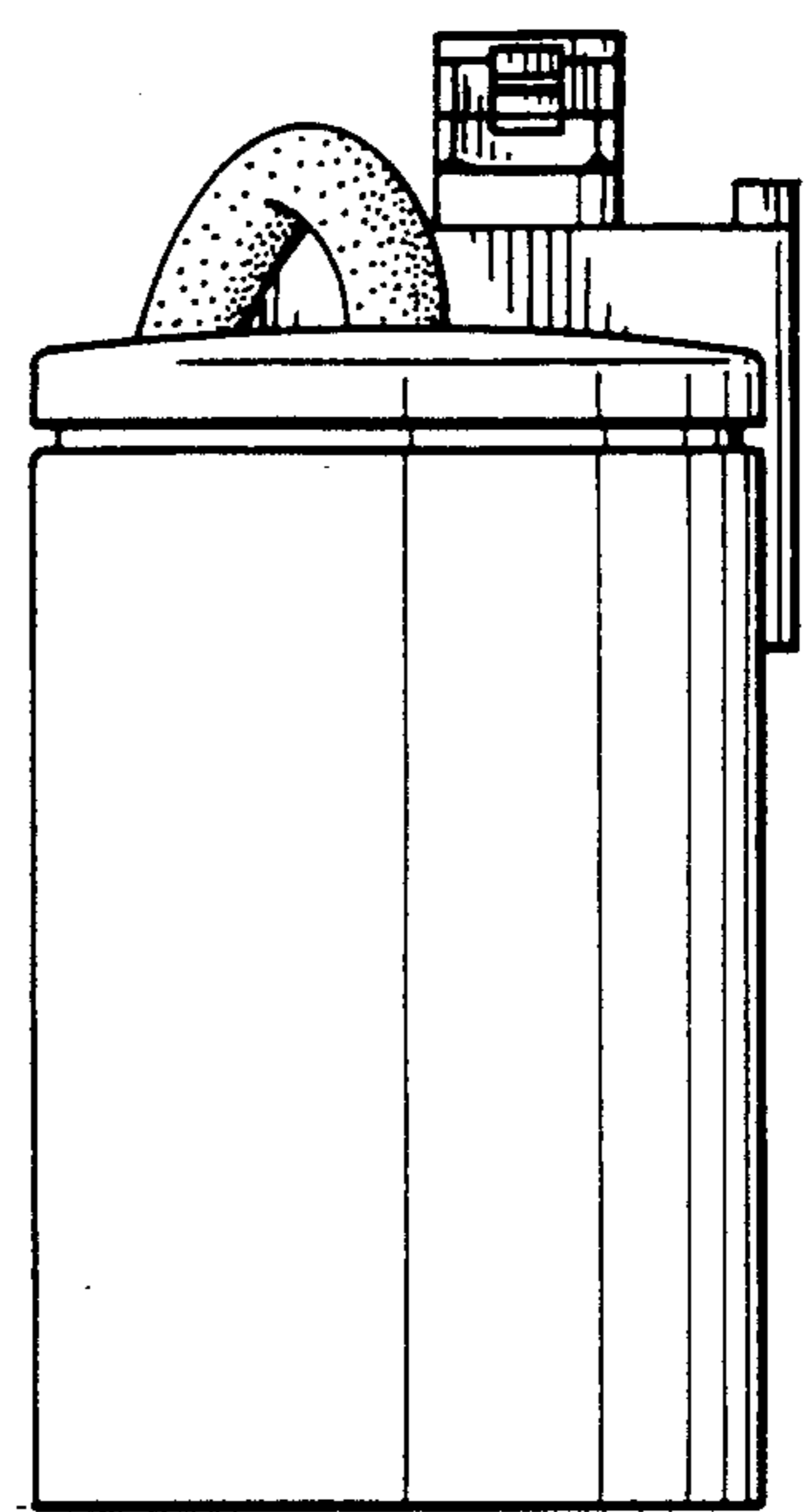
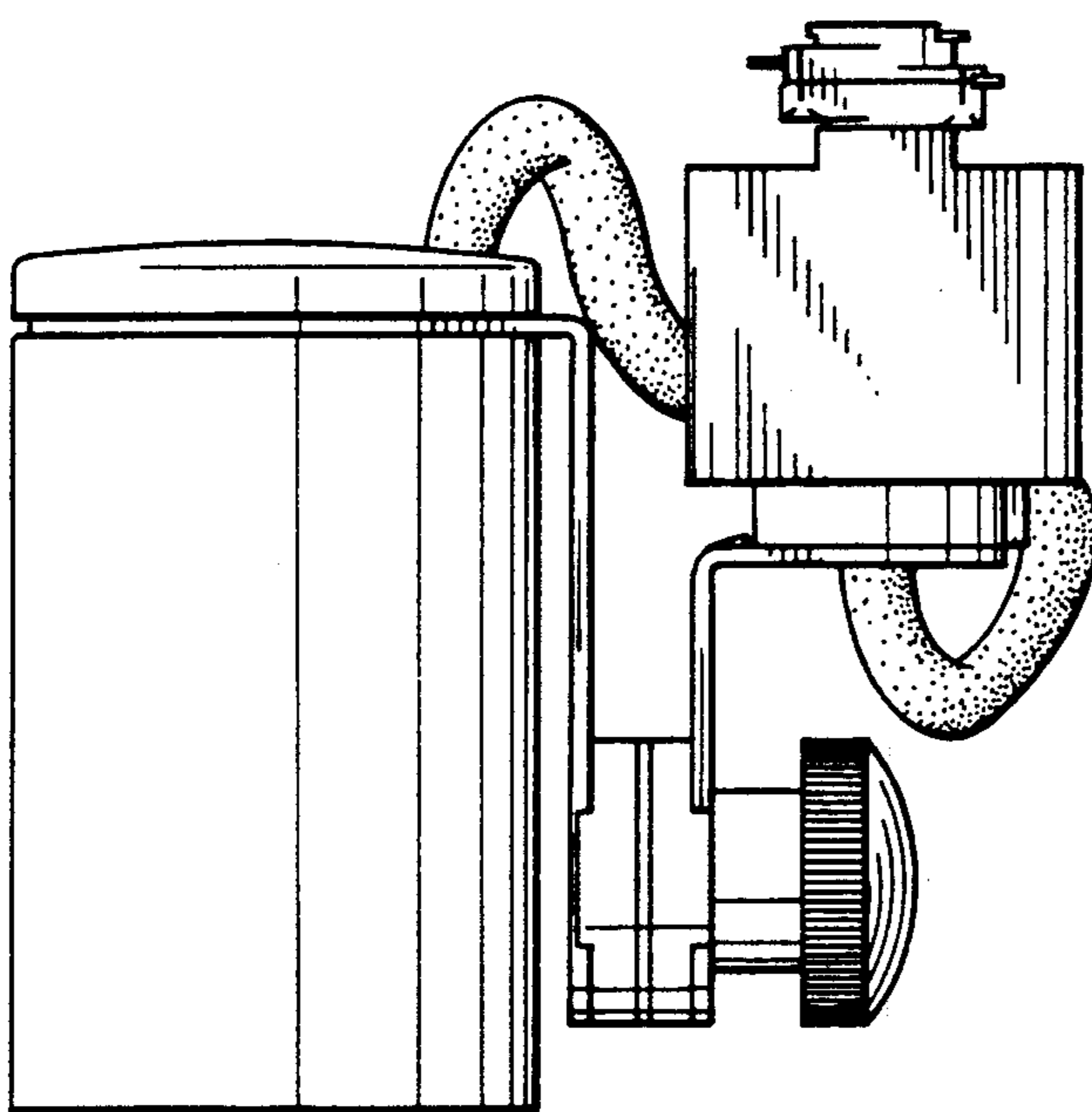
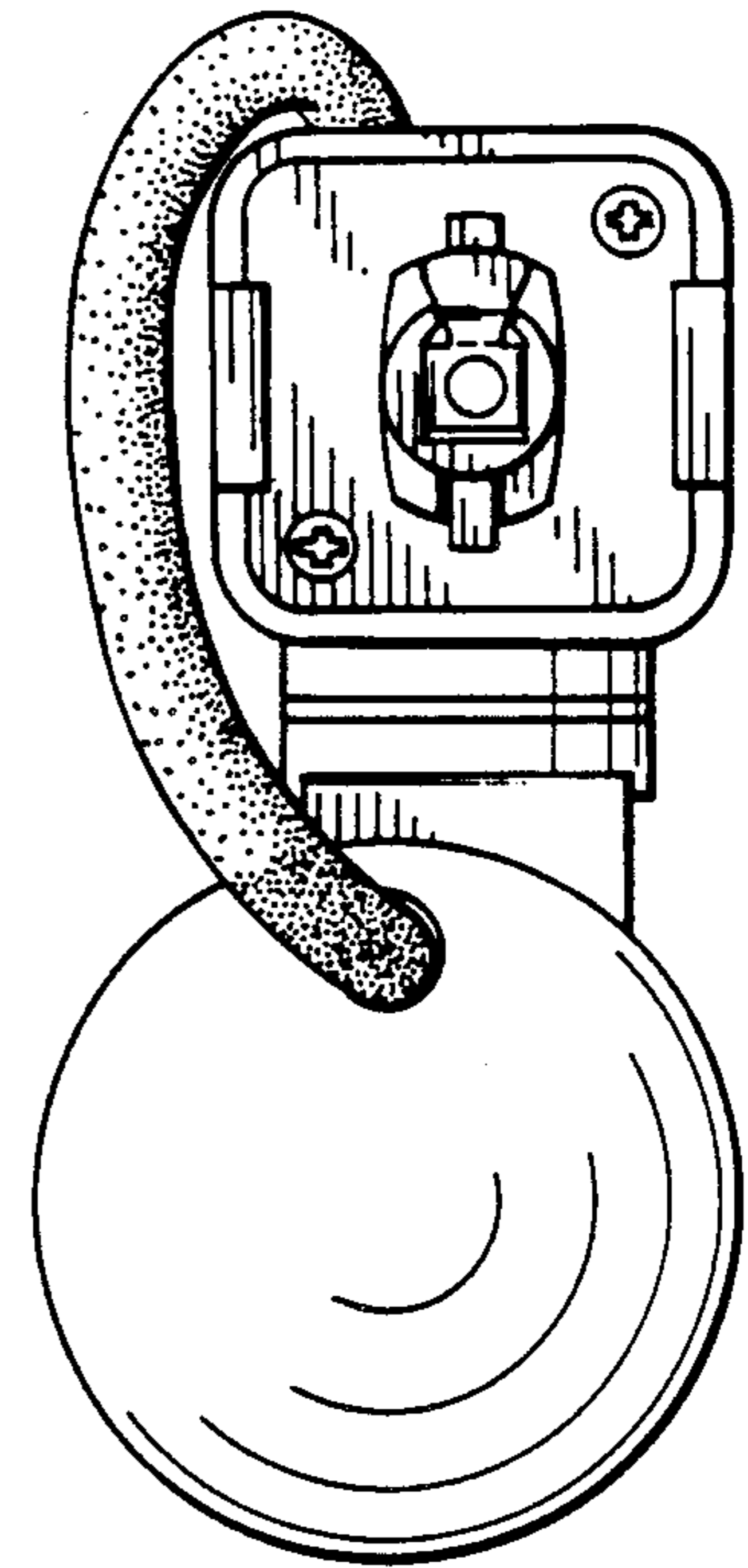
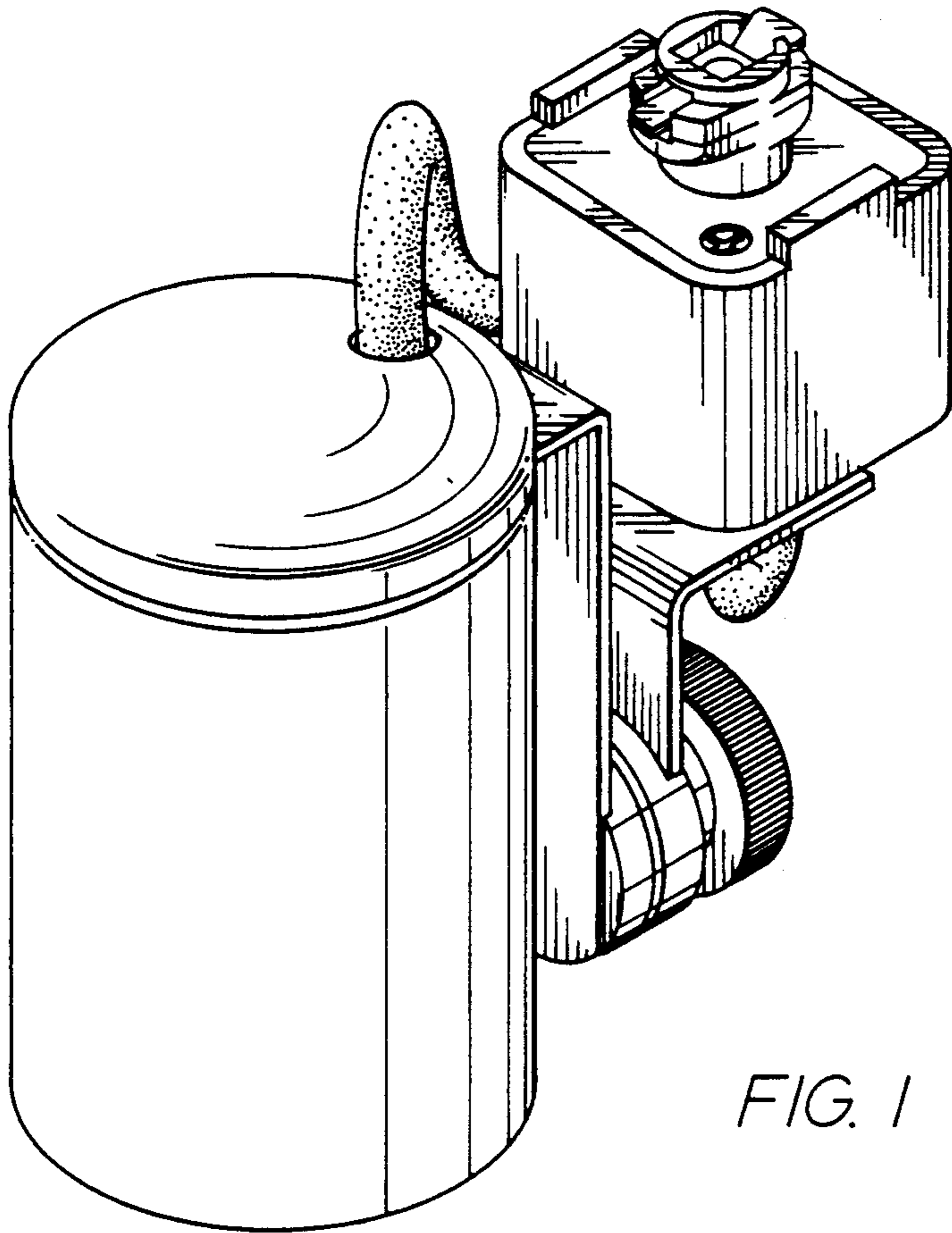
FIG. 1 is a top, front, left side perspective view of a track lighting fixture showing my new design;
FIG. 2 is a top plan view thereof;
FIG. 3 is a front elevational view thereof;
FIG. 4 is a left side elevational view thereof;
FIG. 5 is a bottom plan view thereof;
FIG. 6 is a bottom, rear, right side perspective view thereof;
FIG. 7 is a right side elevational view thereof;

[56] References Cited

U.S. PATENT DOCUMENTS

D. 291,605	8/1987	Roos	D26/85 X
4,112,486	9/1978	Tovi	362/275 X
4,727,460	2/1988	Payne	362/269





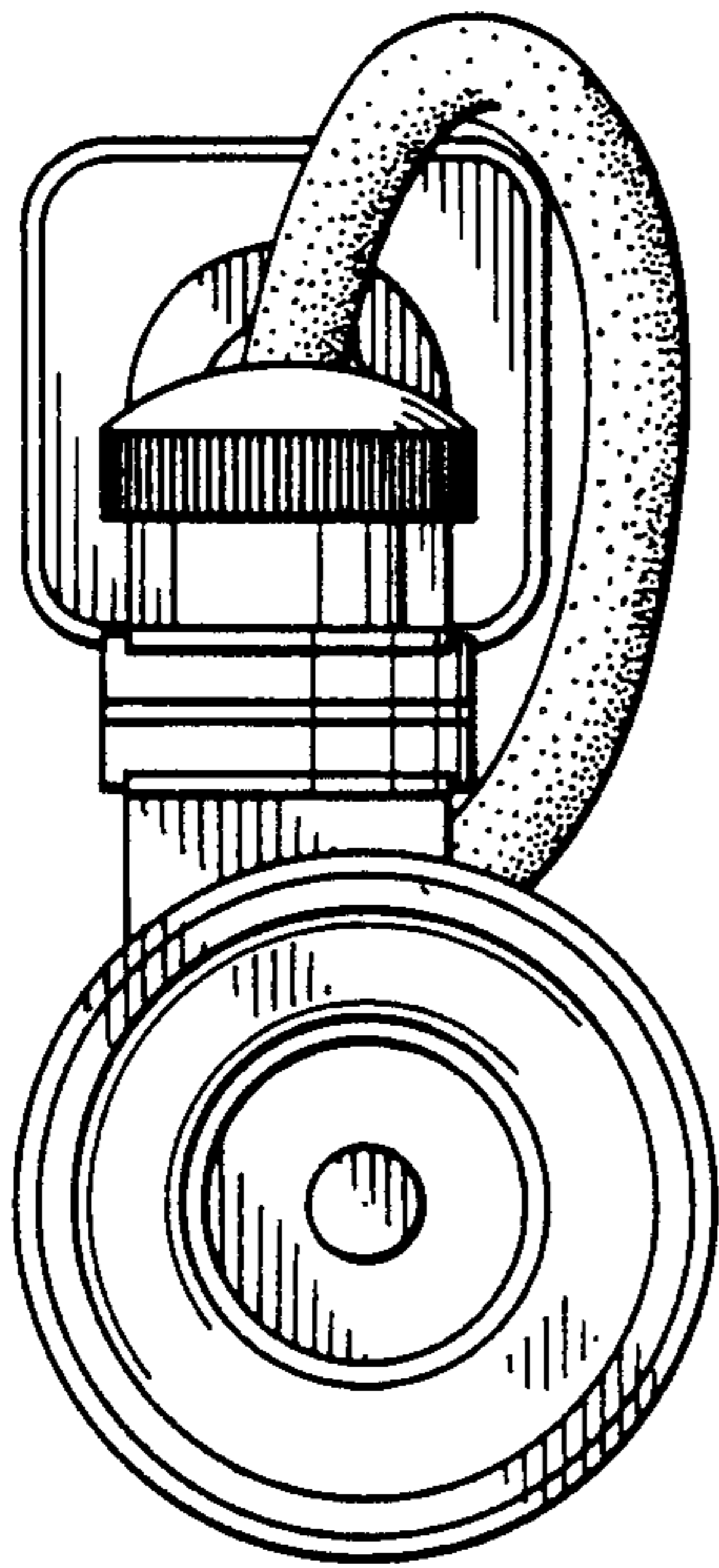


FIG. 5

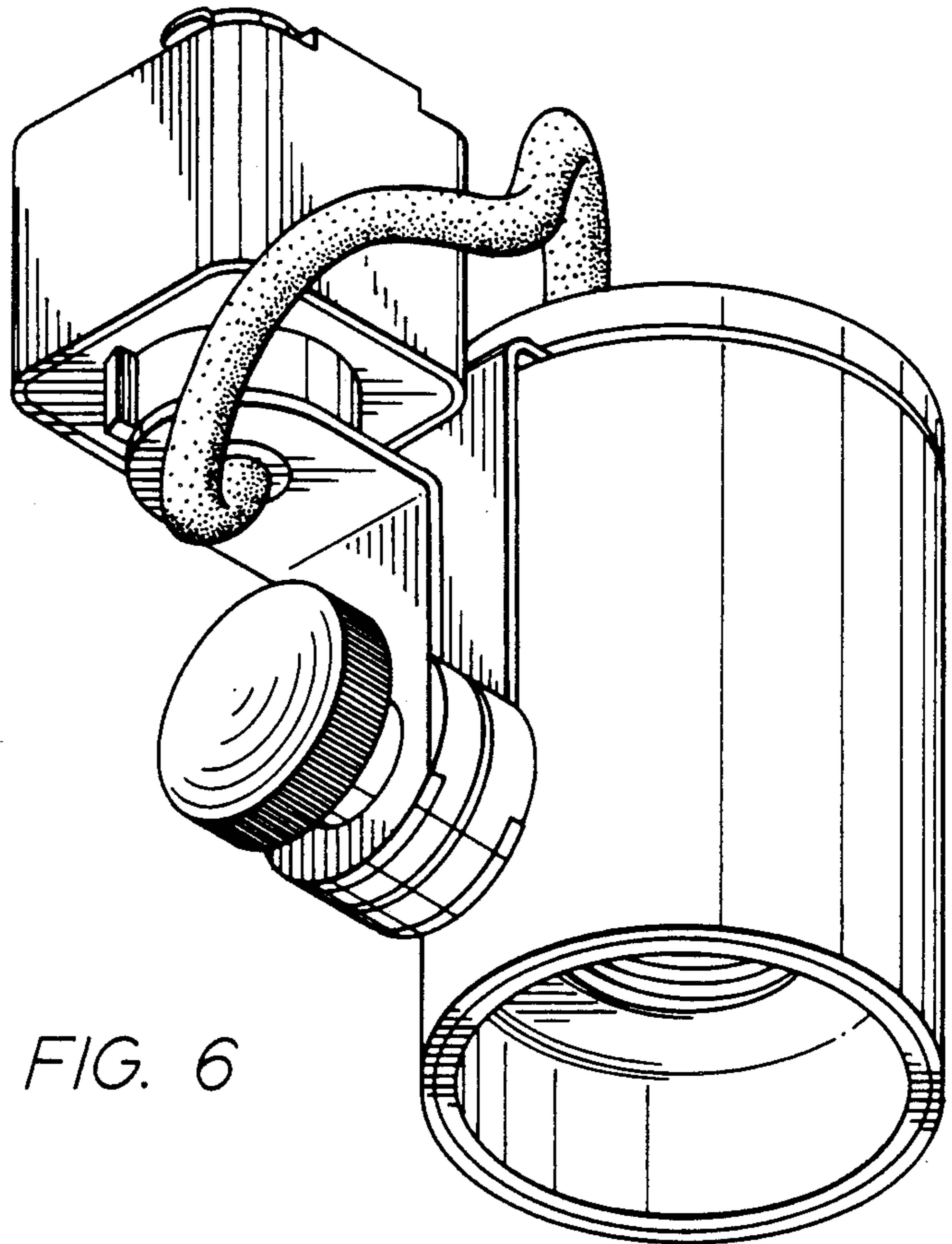


FIG. 6

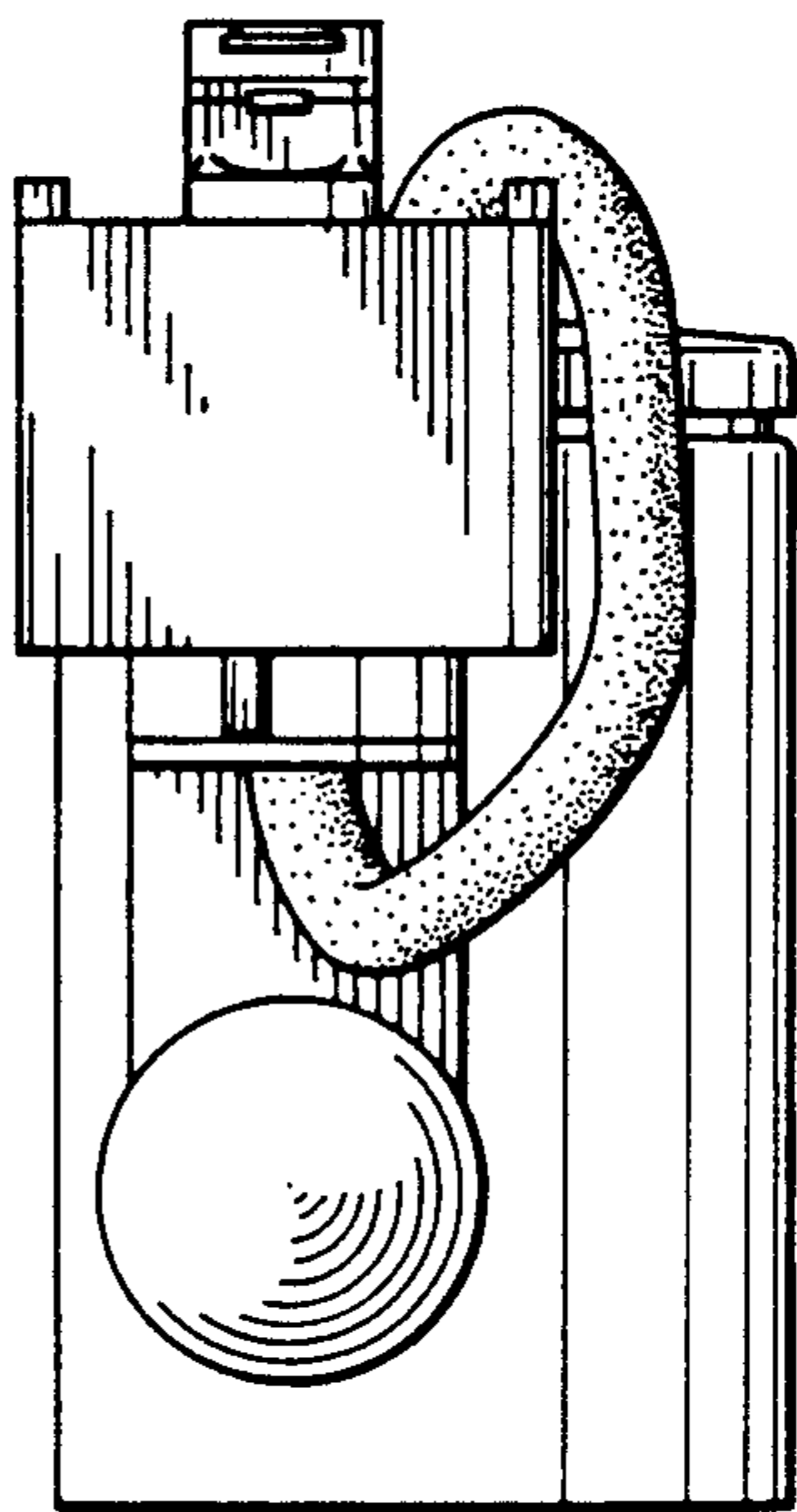


FIG. 7

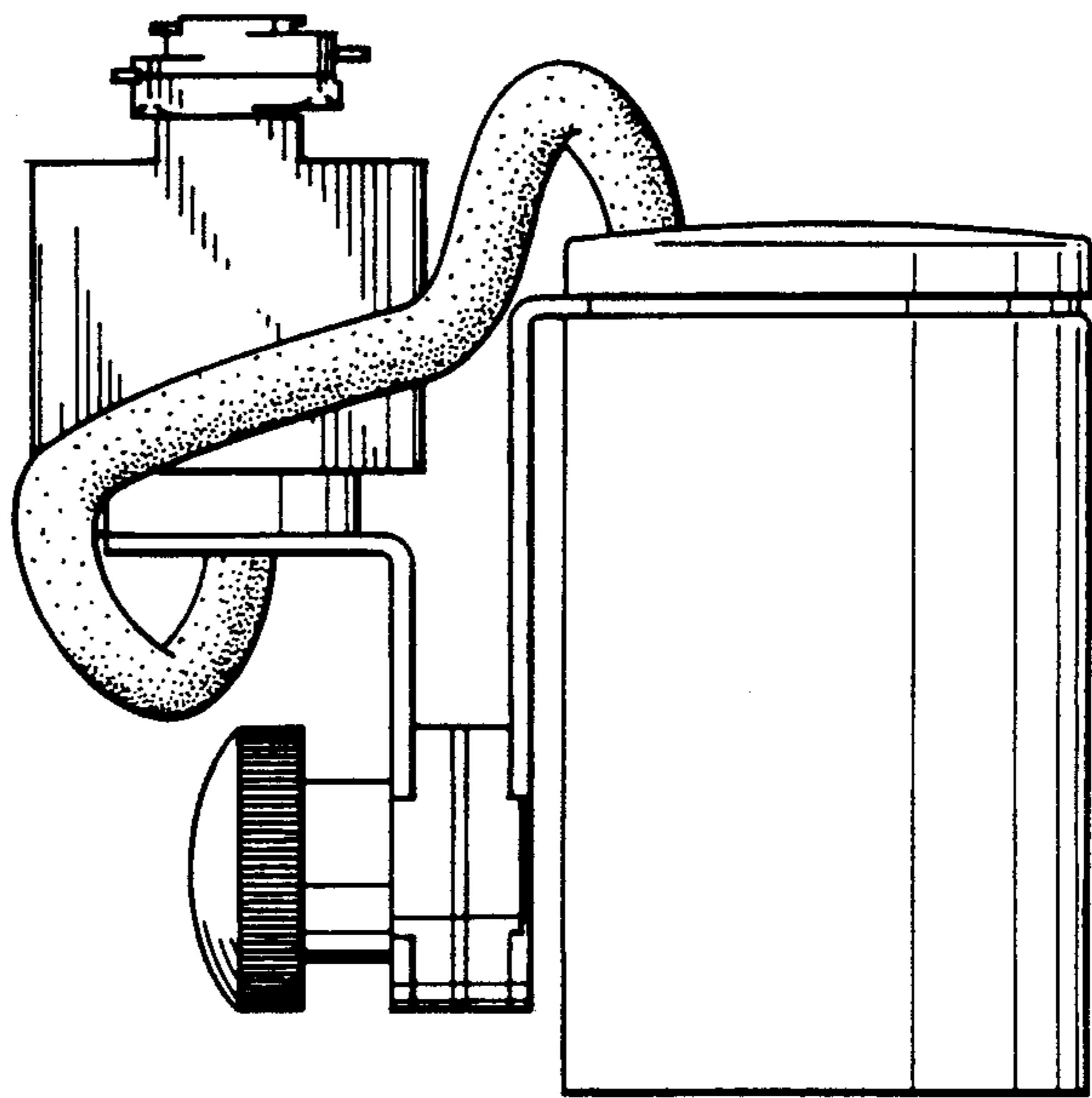


FIG. 8