

[54] **TRACK LIGHTING FIXTURE**

[75] **Inventor: Bruce N. Layne, Wheaton, Ill.**  
[73] **Assignee: Cooper Industries, Houston, Tex.**  
[\*\*] **Term: 14 Years**

[21] **Appl. No.: 282,353**

[22] **Filed: Dec. 9, 1988**

[52] **U.S. Cl. .... D26/63**

[58] **Field of Search .... D26/60-65;  
362/147, 269, 275, 287, 418, 419, 427, 404, 432**

[56] **References Cited**

**U.S. PATENT DOCUMENTS**

D. 291,605 8/1987 Roos ..... D26/85 X  
D. 297,672 9/1988 Skegin ..... D26/63  
4,112,486 9/1978 Tovi ..... 362/275 X

4,727,460 2/1988 Payne ..... 362/269  
4,814,955 3/1989 Price ..... 362/275  
4,851,973 7/1989 Layne ..... 362/147

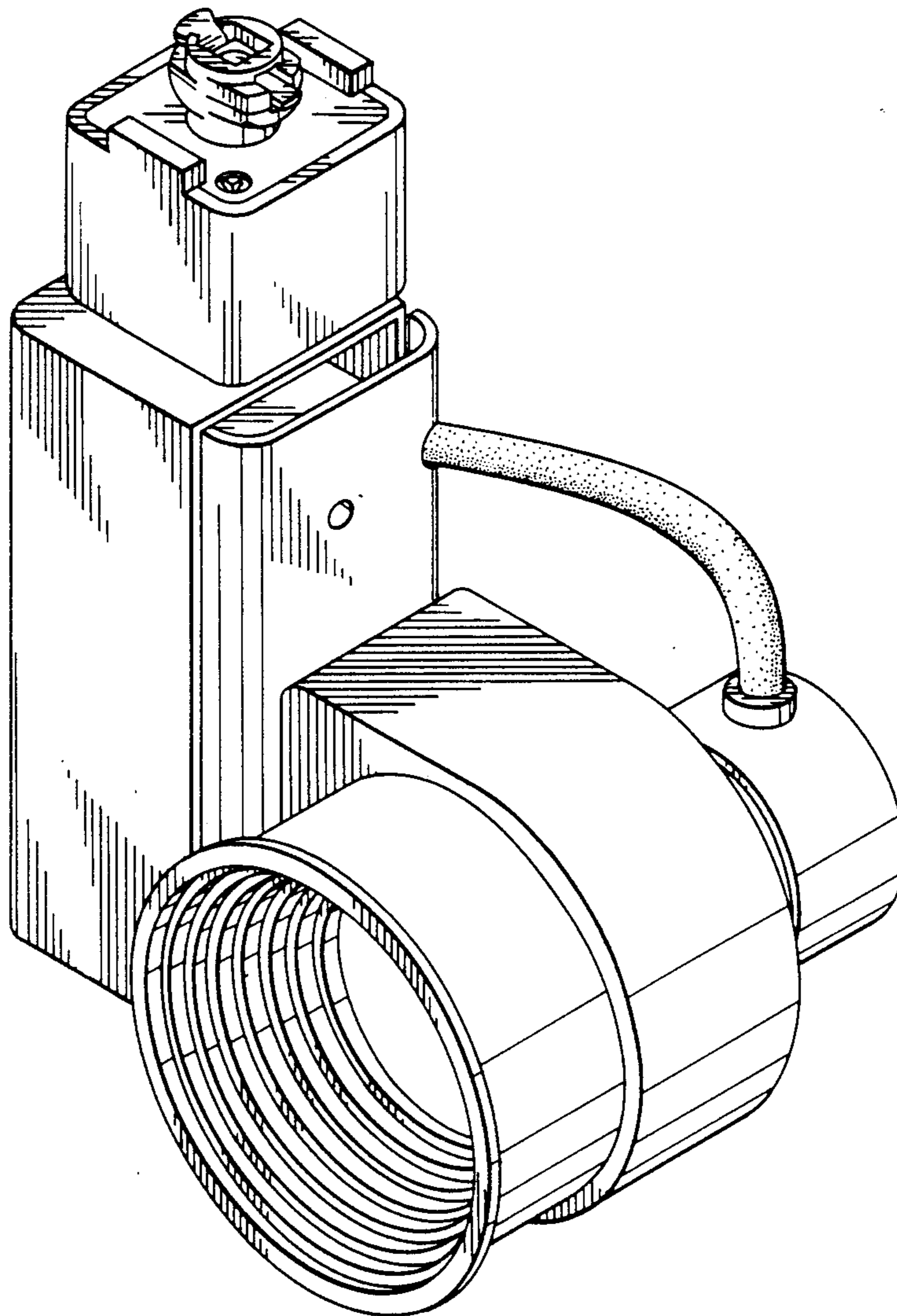
*Primary Examiner*—Susan J. Lucas  
*Attorney, Agent, or Firm*—Eddie E. Scott; Alan R. Thiele; Elliott Cox

[57] **CLAIM**

The ornamental design for a track lighting fixture, as shown and described.

**DESCRIPTION**

FIG. 1 is a top, front, left side perspective view of a track lighting fixture showing my new design; FIG. 2 is a right side elevational view thereof; FIG. 3 is a front elevational view thereof; FIG. 4 is a left side elevational view thereof; FIG. 5 is a rear elevational view thereof; FIG. 6 is a top plan view thereof;



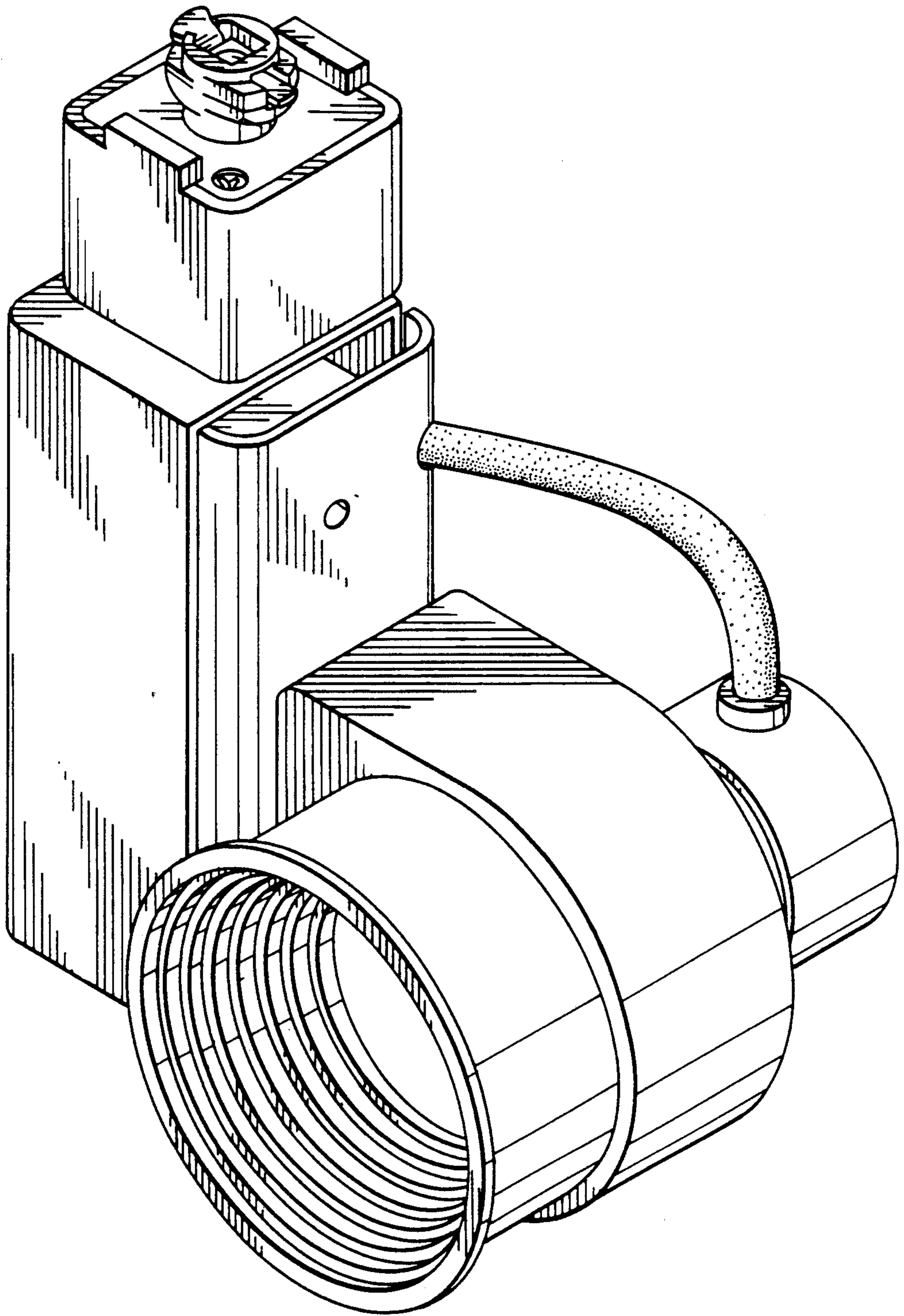


FIG. 1

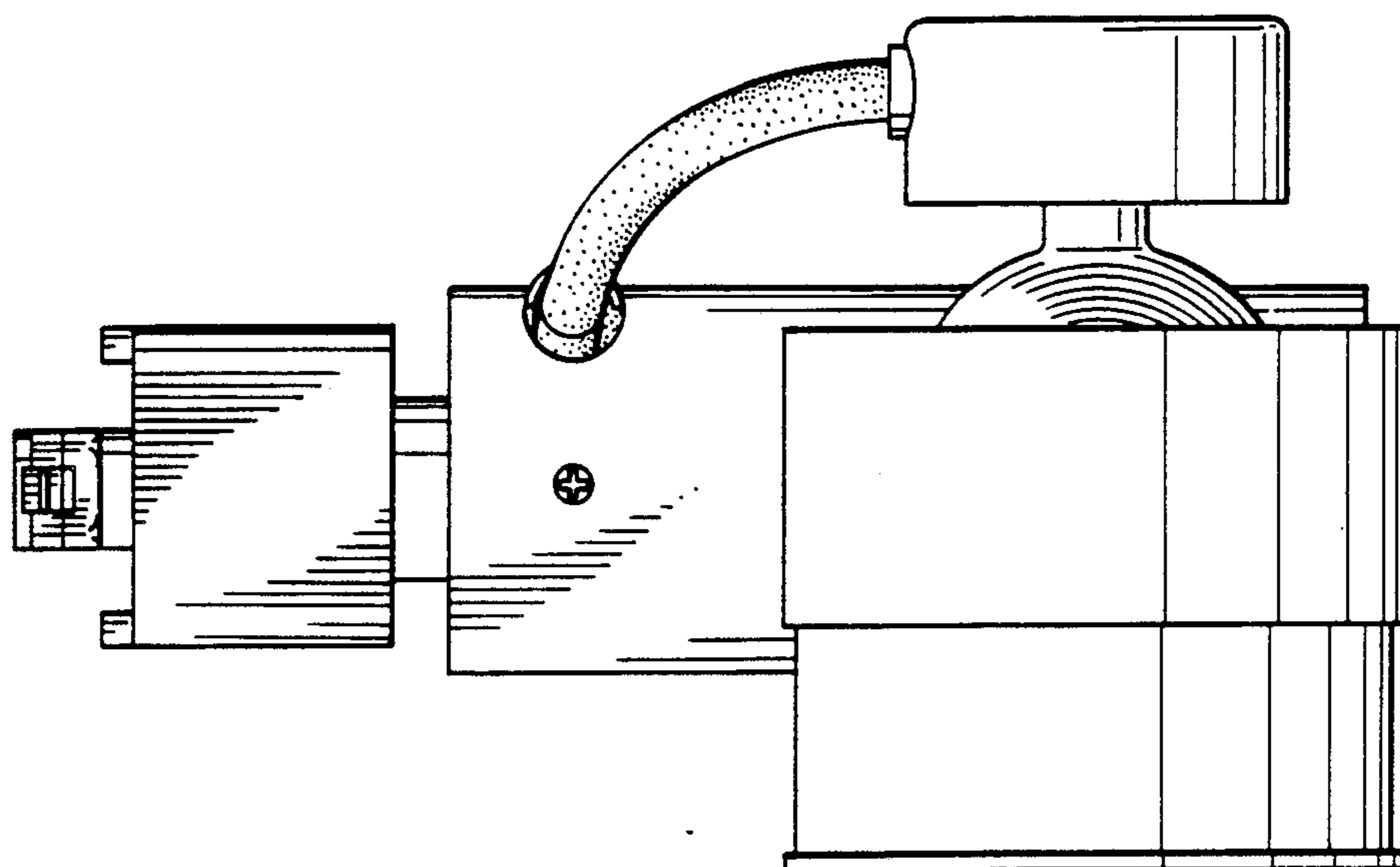


FIG. 3

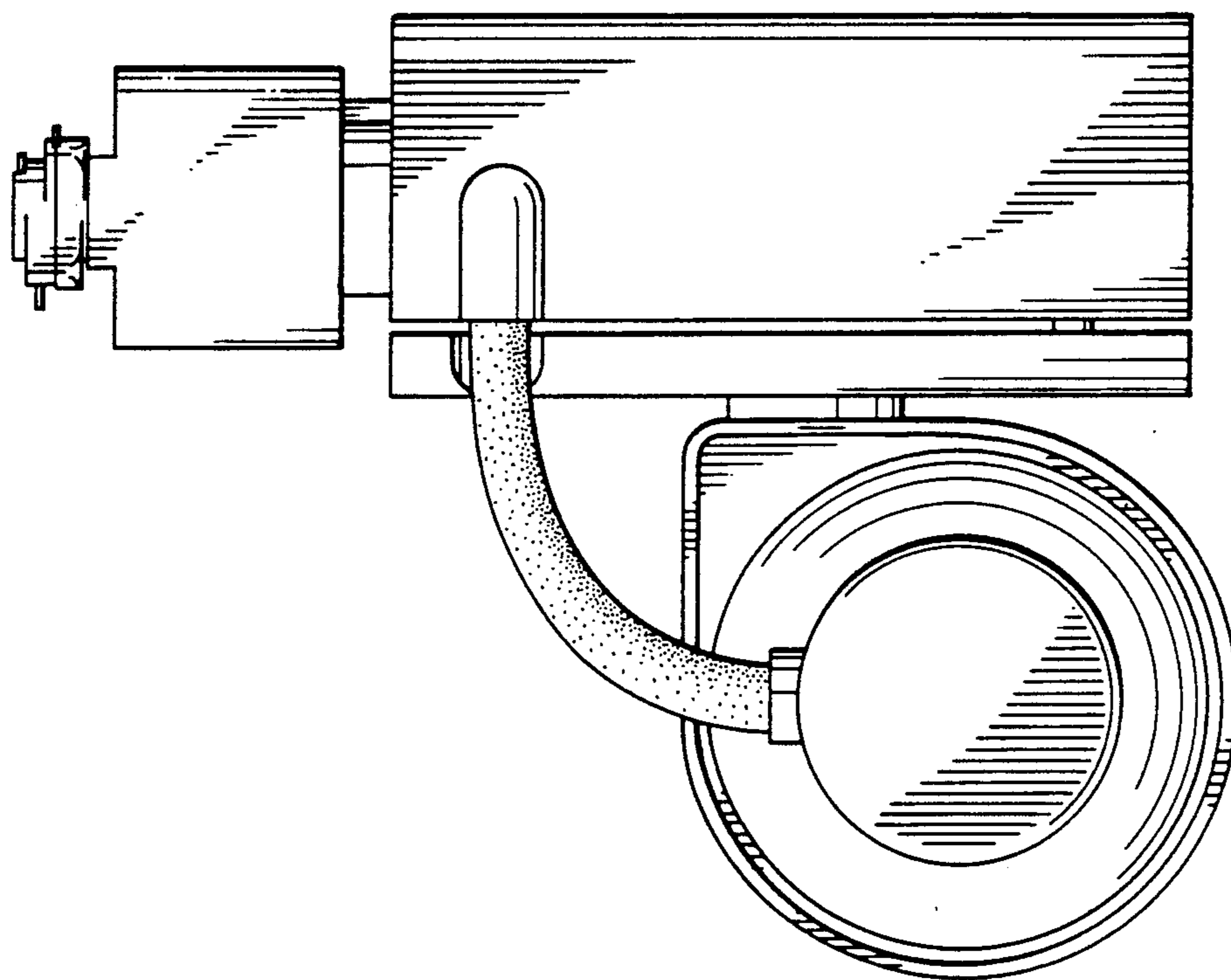


FIG. 2

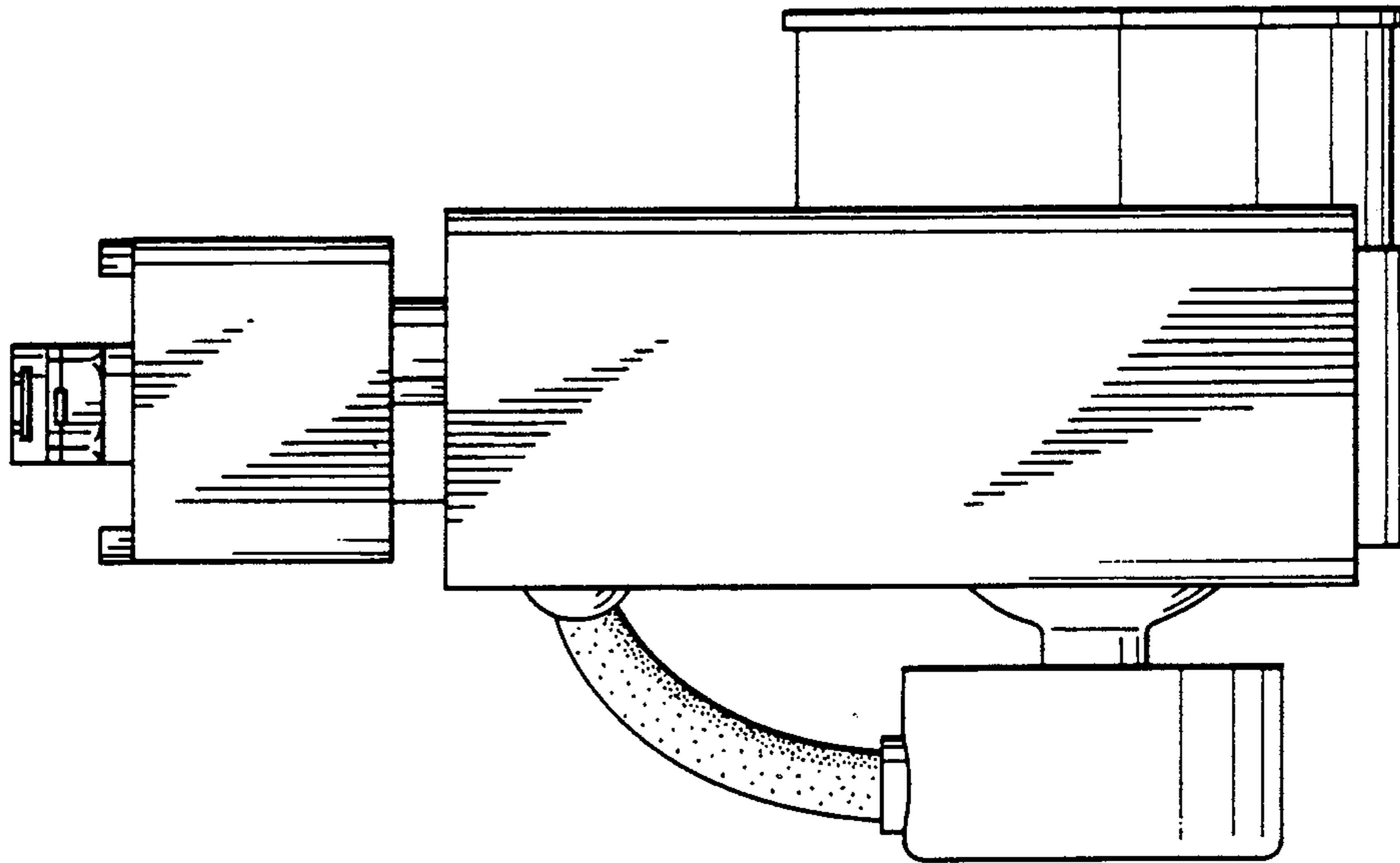


FIG. 5

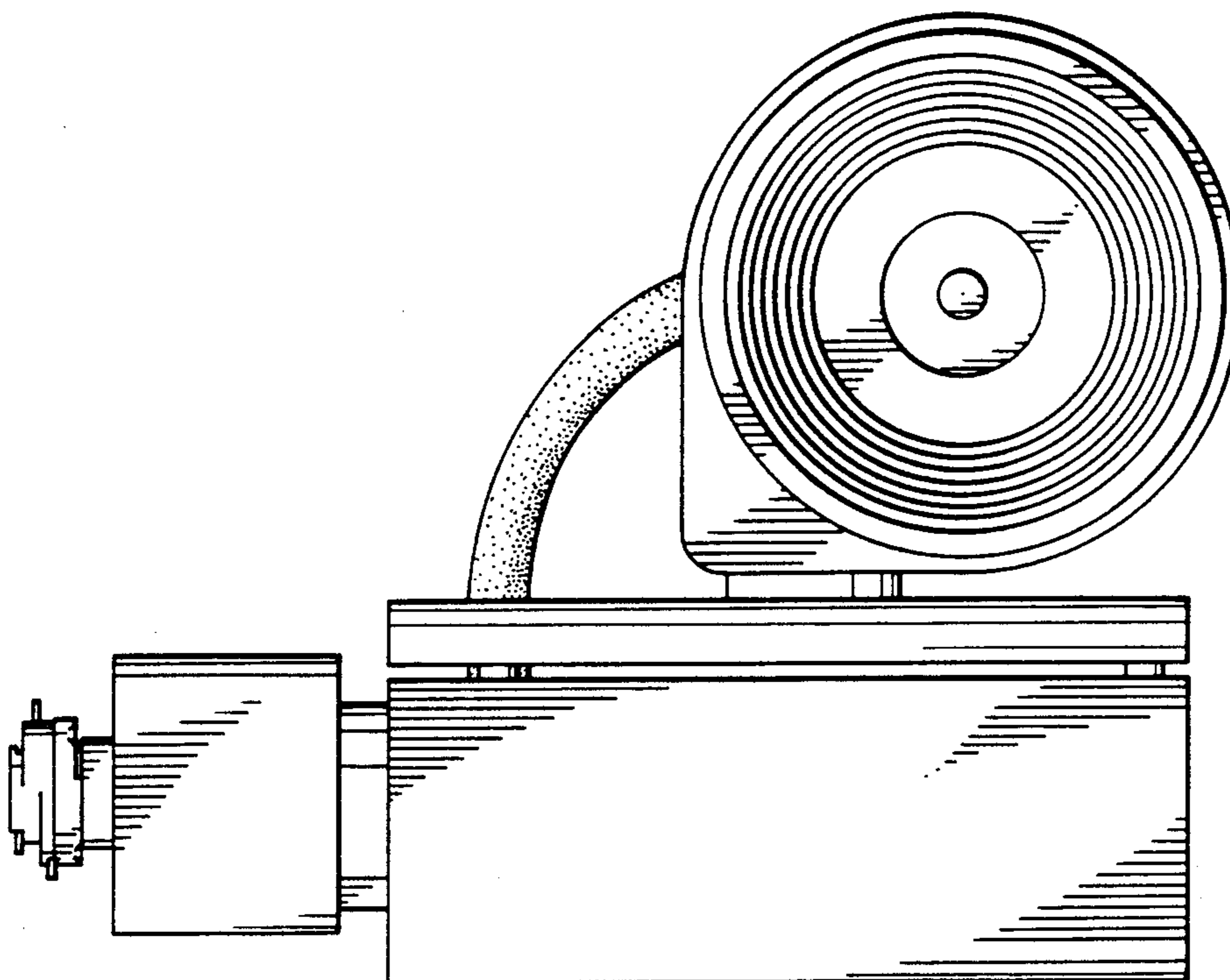


FIG. 4



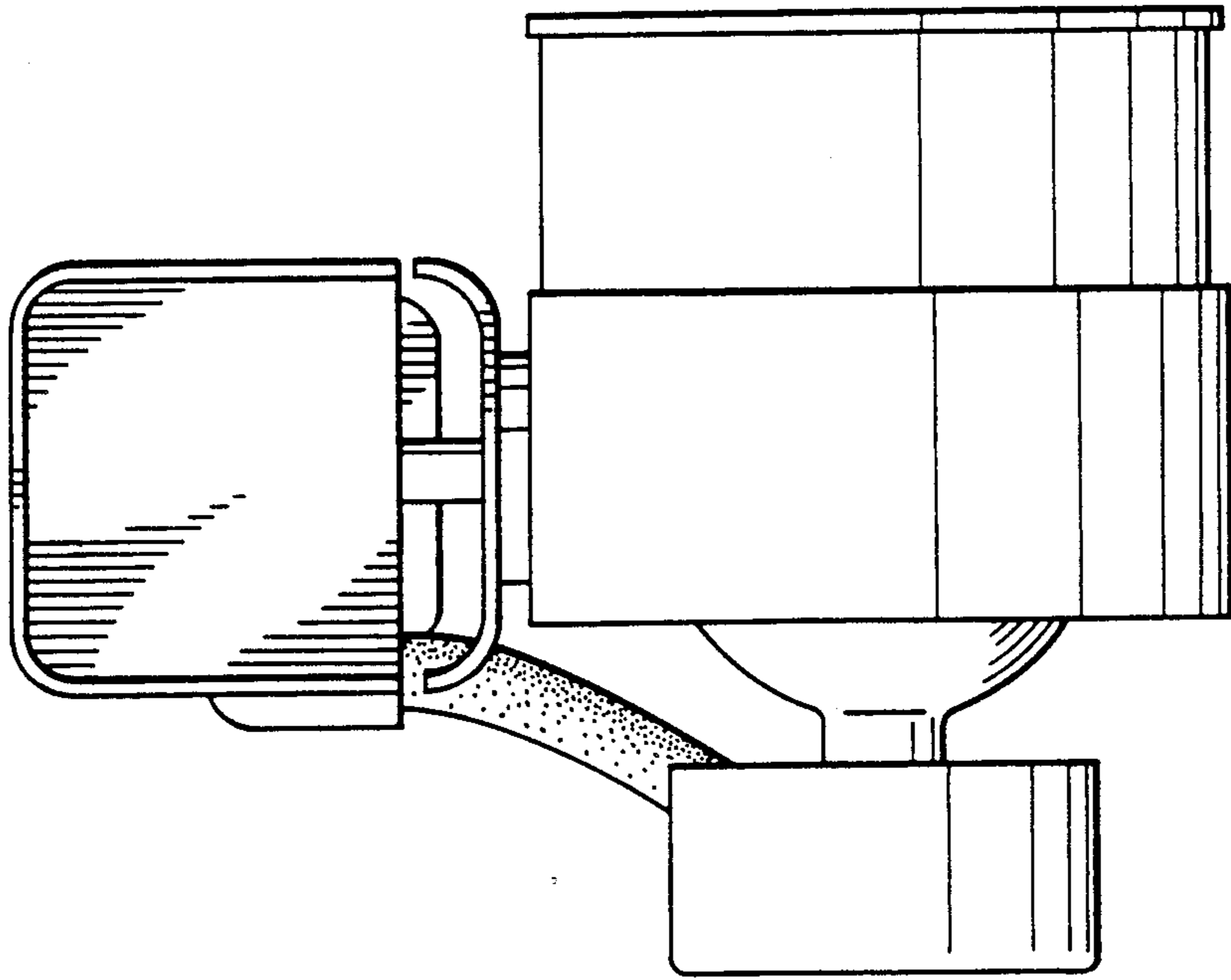


FIG. 7

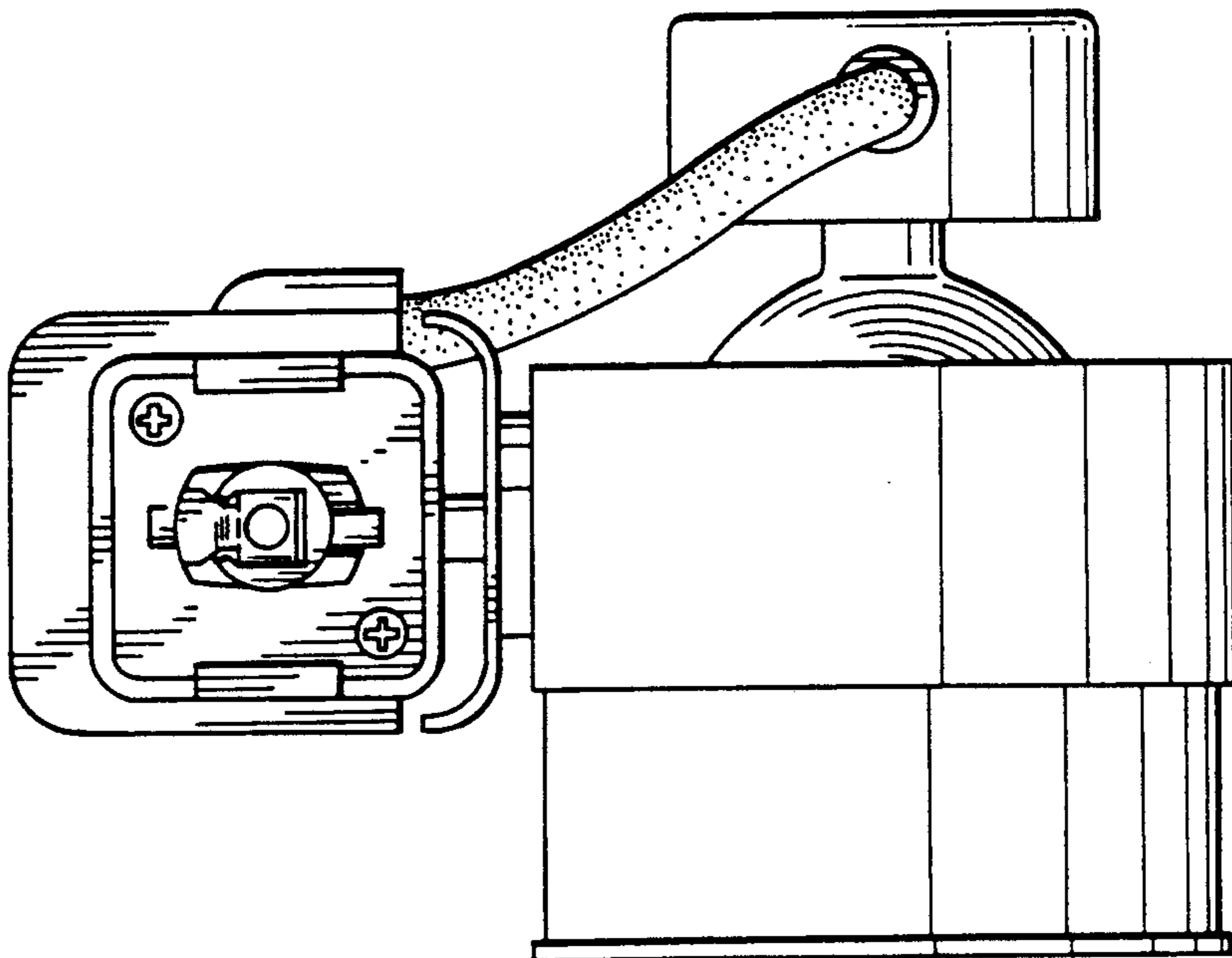


FIG. 6