

[54] BOAT TRANSOM LIGHT

[76] Inventors: Theodore Ziaylek, Jr., 140 Riverview Dr.; Michael P. Ziaylek, 3 Brook La., both of Yardley, Pa. 19067

[\*\*] Term: 14 Years

[21] Appl. No.: 343,191

[22] Filed: Apr. 24, 1989

[52] U.S. Cl. .... D26/28; D26/24

[58] Field of Search ..... D26/28-36, D26/24, 72, 74, 85; 362/61, 80, 80.1, 82, 83, 83.2, 83.3, 267

[56] References Cited

U.S. PATENT DOCUMENTS

- D. 221,105 7/1971 Stewart ..... D26/28
- D. 259,960 7/1981 Watson ..... D26/24

OTHER PUBLICATIONS

Boat Owners Association of the U.S. Boating Equip. Guide, 1983, p. 116, Flush Mount Transom Light. Dominion Auto Automotive Products Catalog ©1977, p. 1, Signal Light #70-6103.

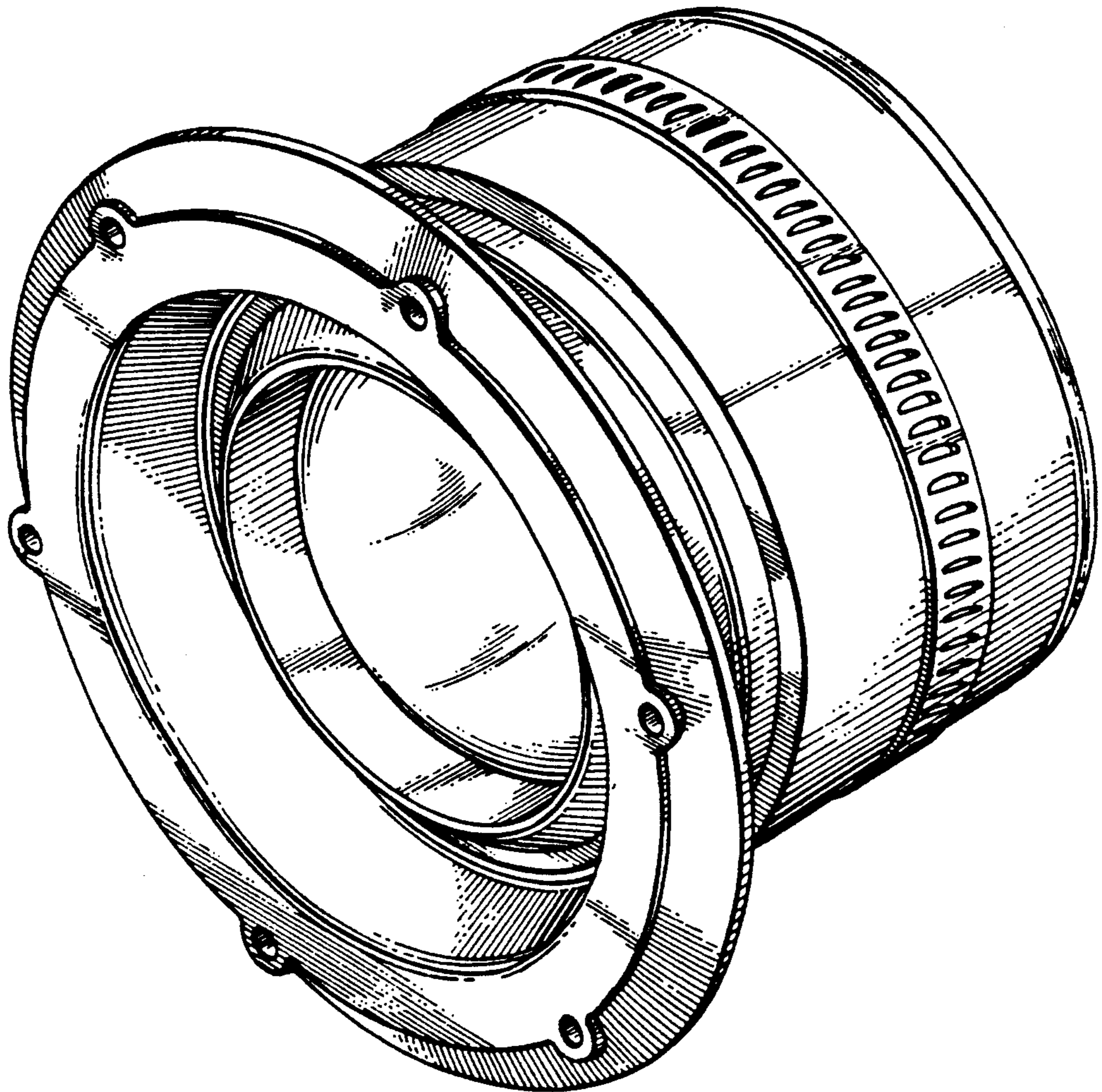
Primary Examiner—Susan J. Lucas  
Attorney, Agent, or Firm—Sperry, Zoda & Kane

[57] CLAIM

The ornamental design for a boat transom light, as shown.

DESCRIPTION

FIG. 1 is a front perspective view of a boat transom light showing our new design;  
FIG. 2 is a front elevational view thereof;  
FIG. 3 is a rear elevational view thereof;  
FIG. 4 is a left side elevational view thereof;  
FIG. 5 is a right side elevational view thereof;  
FIG. 6 is a top plan view thereof;  
FIG. 7 is a bottom plan view thereof.





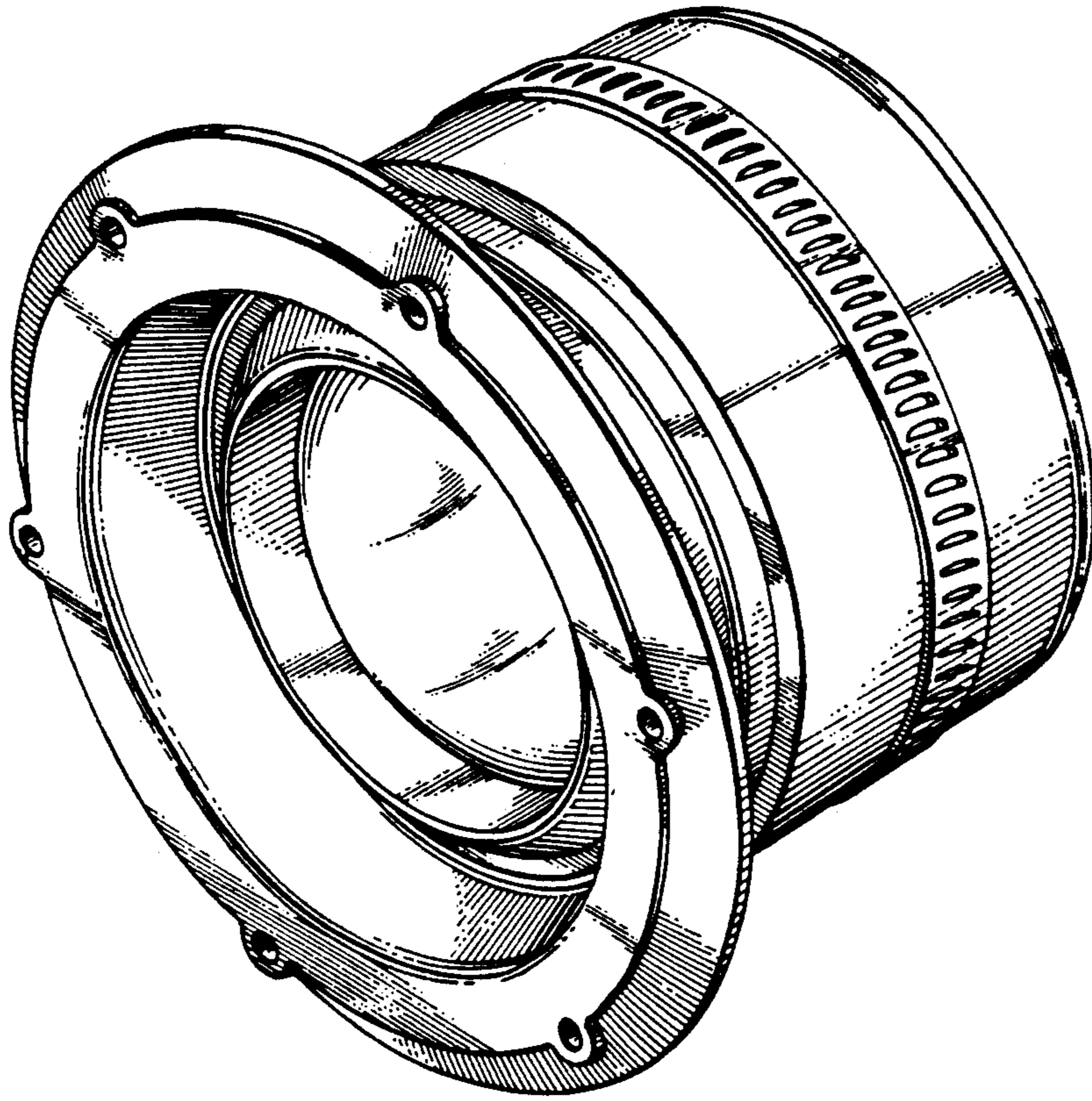


FIG. 1

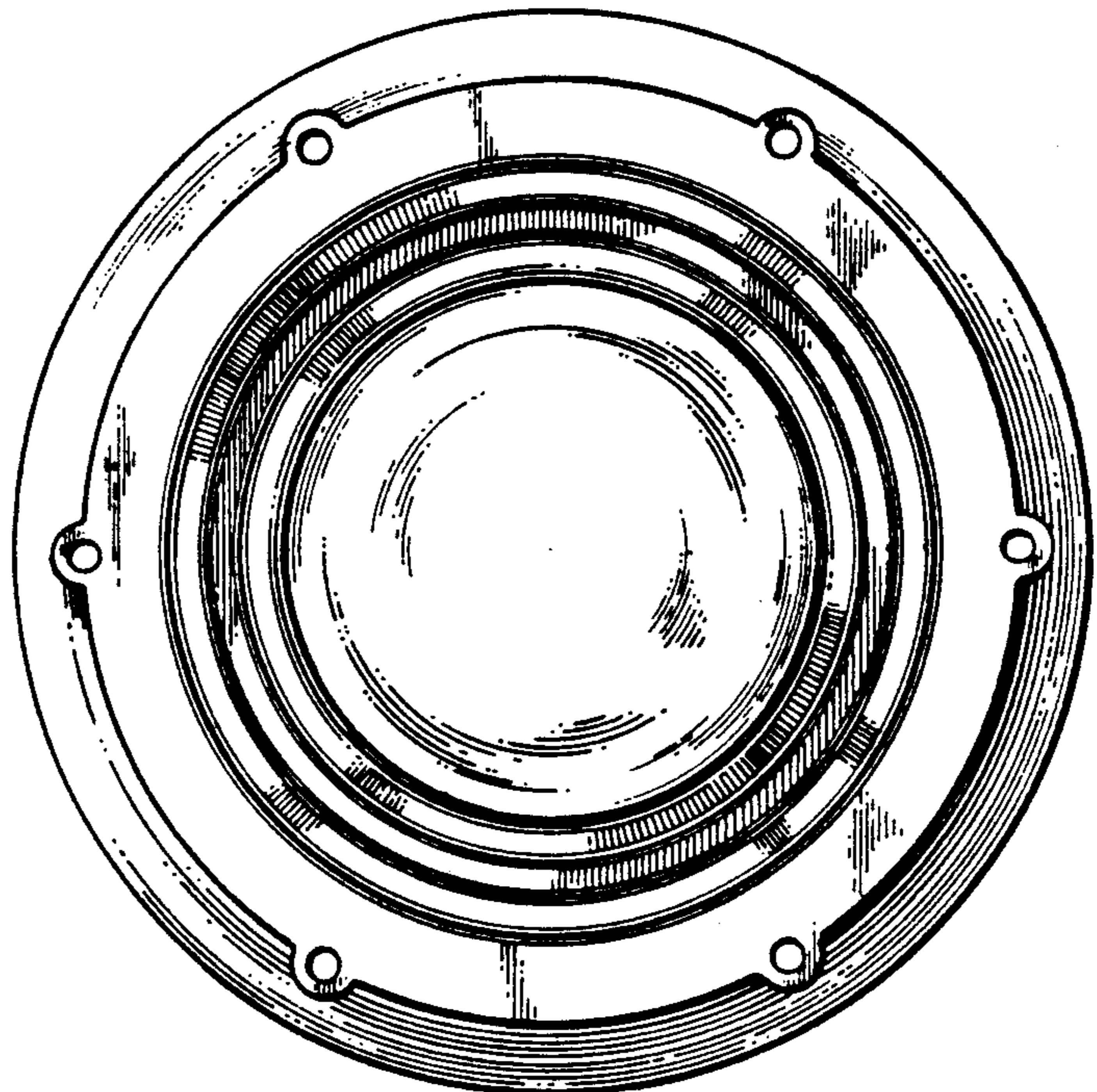


FIG. 2

FIG. 3

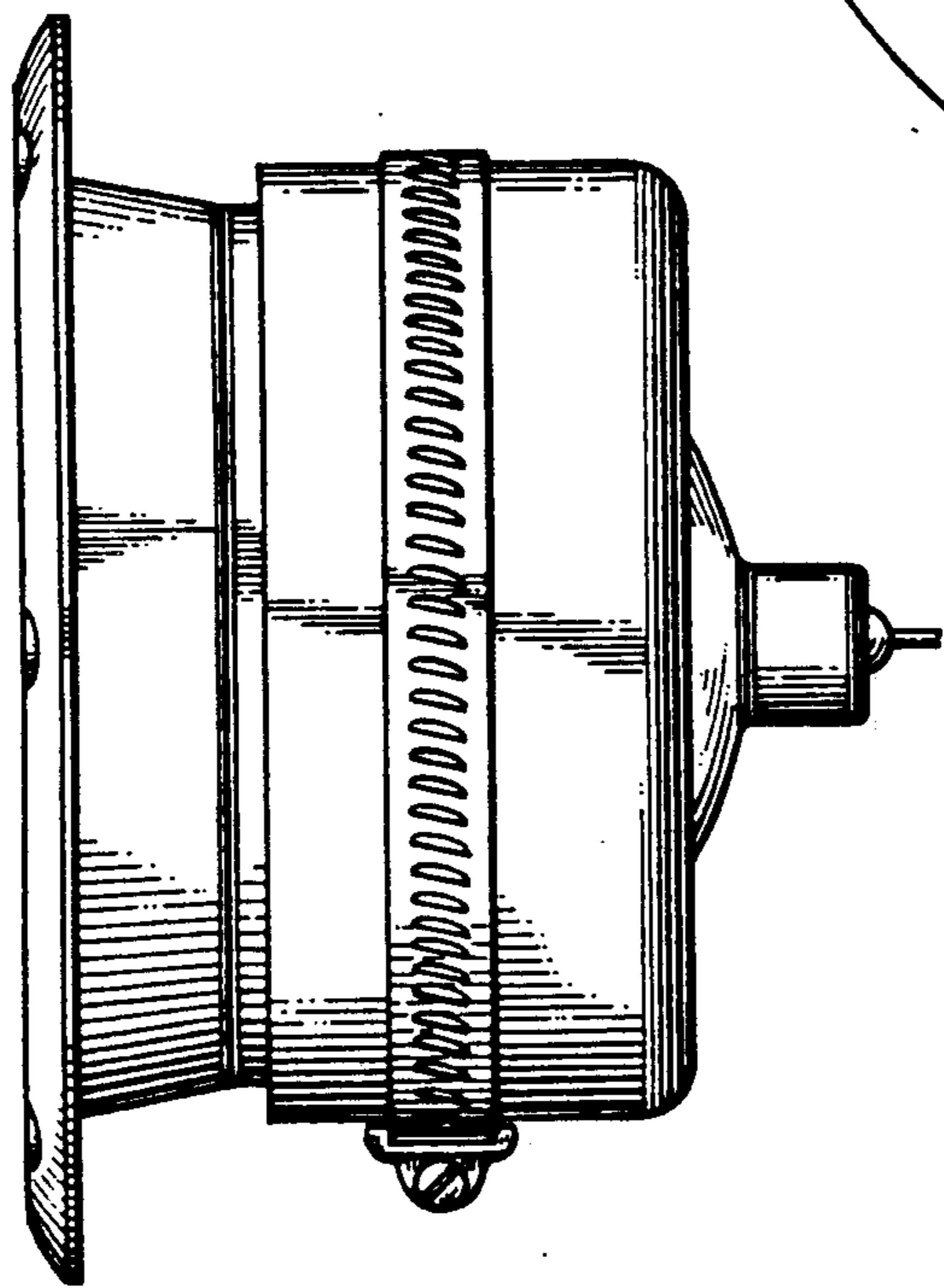
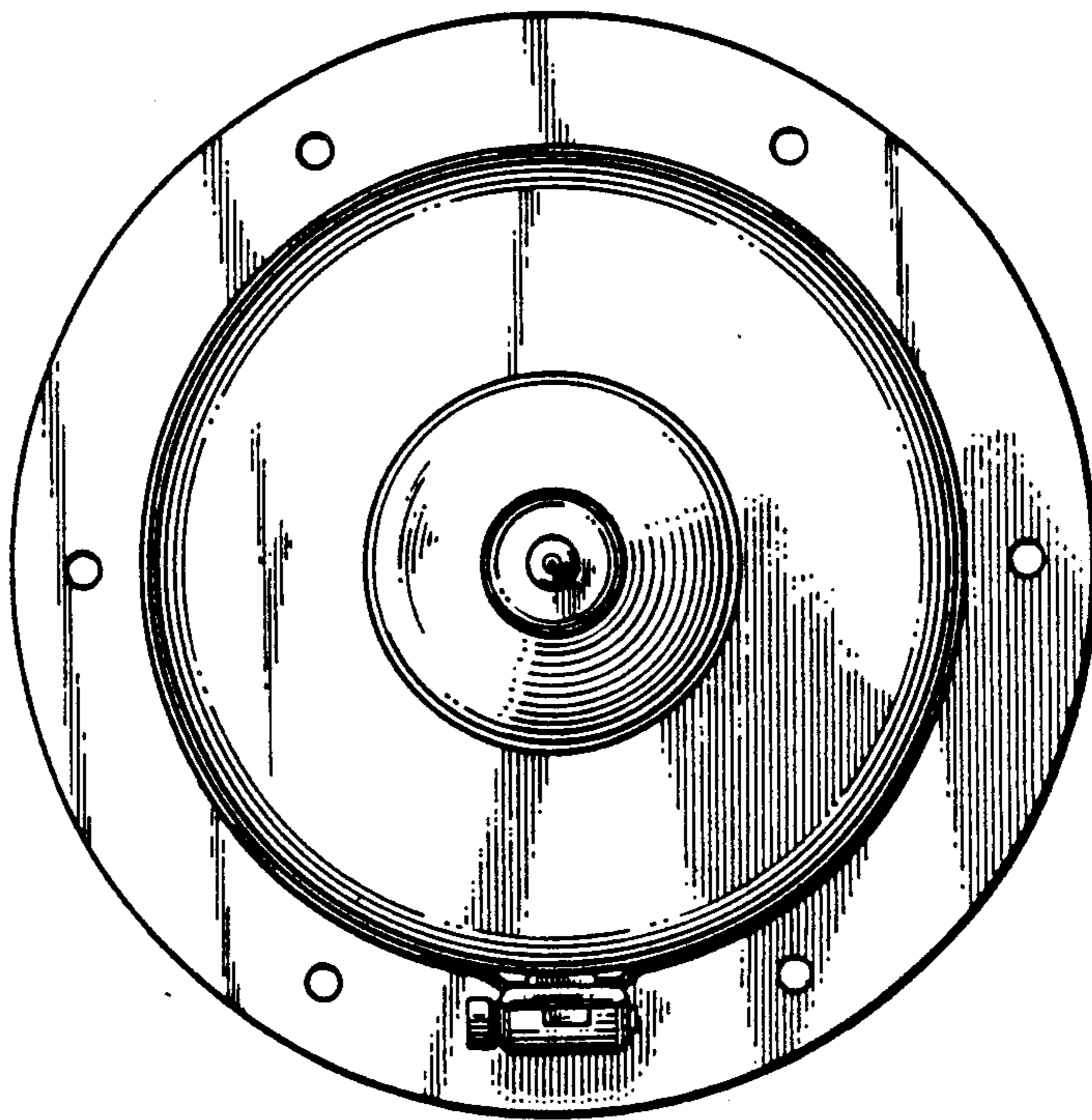


FIG. 4

FIG. 5

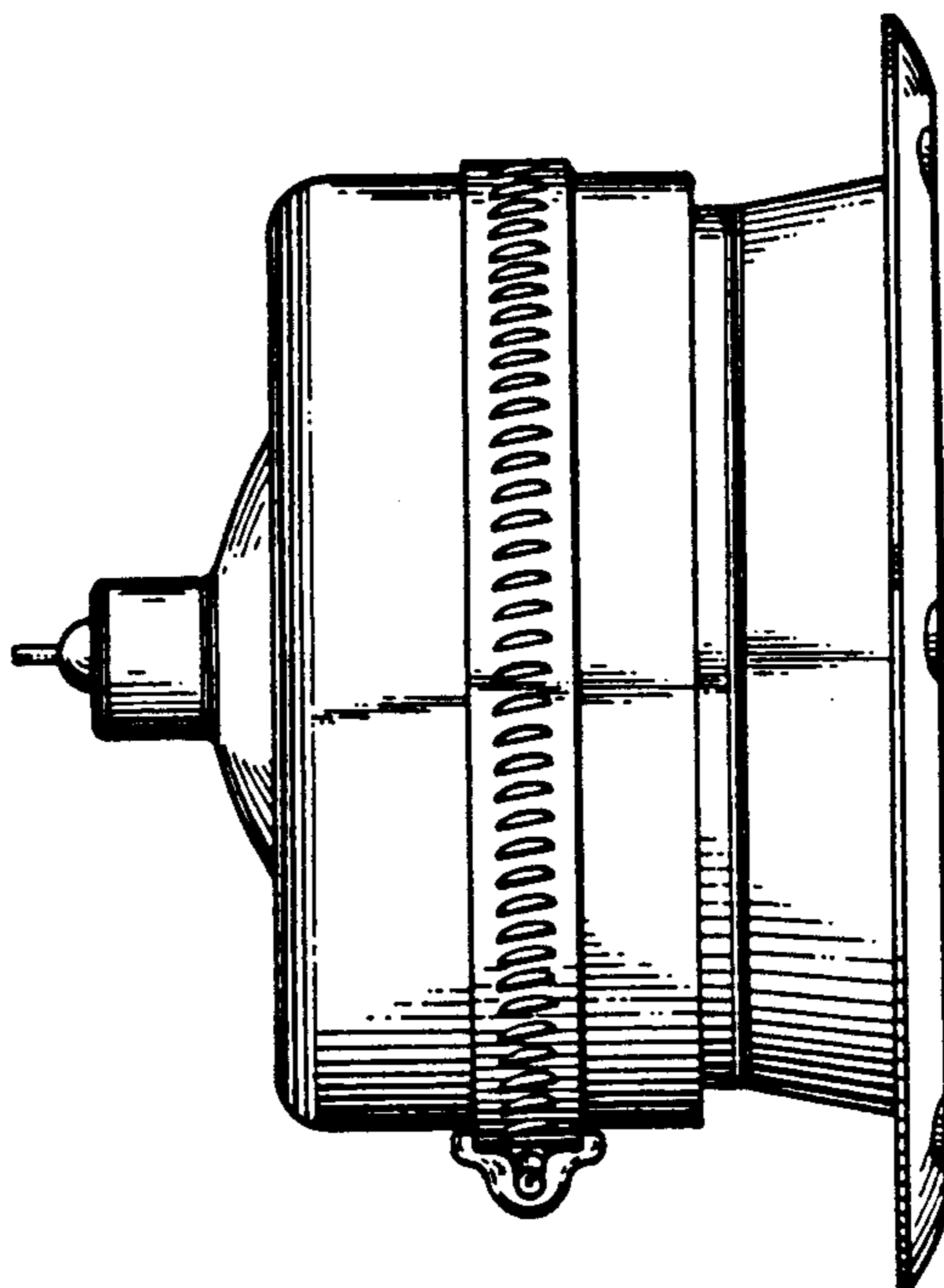


FIG. 6

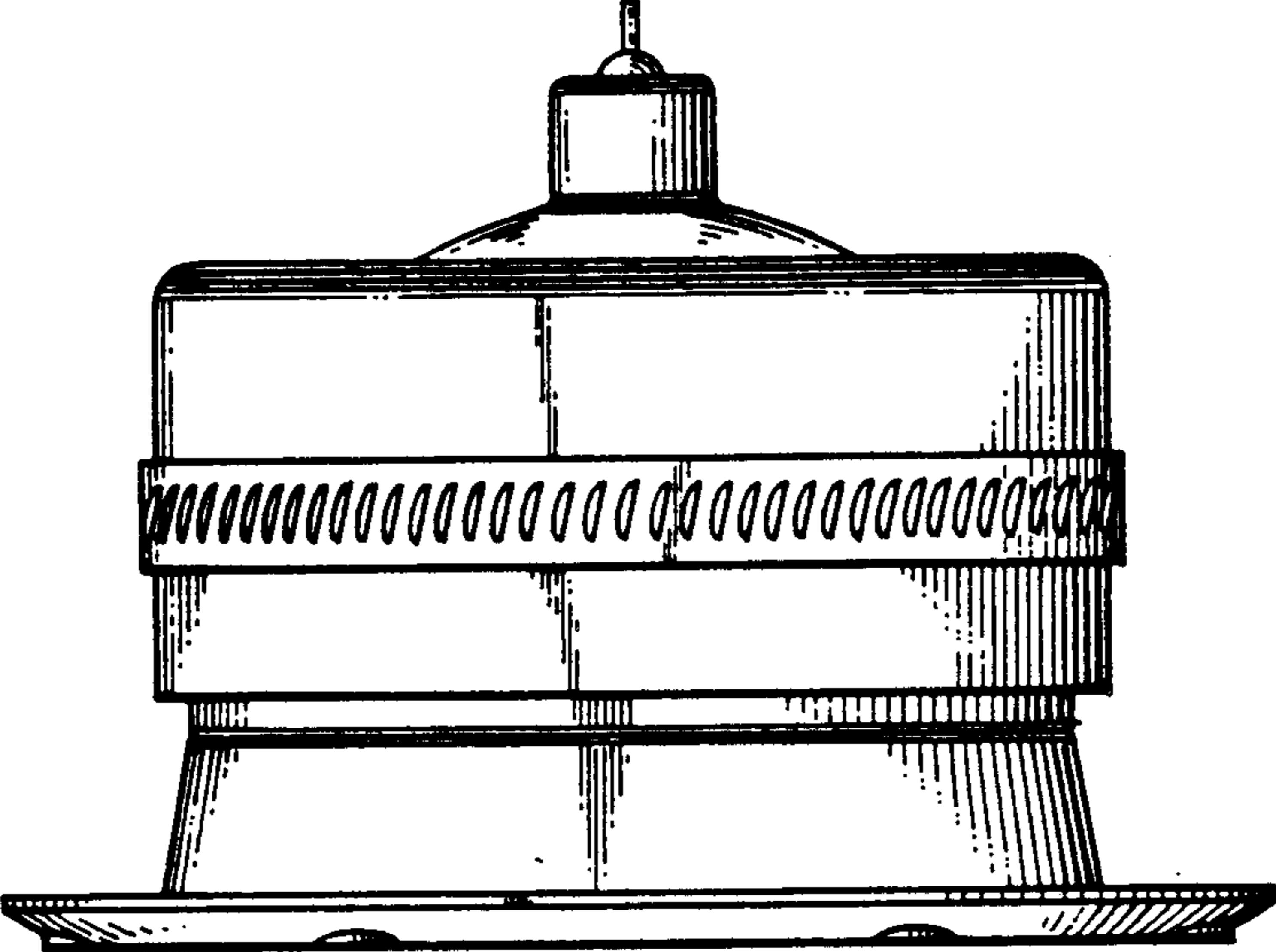


FIG. 7

