

[54] URINARY CATHETER

4,813,935 3/1989 Haber et al. 604/246 X

[76] Inventors: Thomas H. Reif, 5213 Greencroft Dr., Dayton, Ohio 45426; Louis E. Warnken, 197 Lindall Dr., Germantown, Ohio 45327; Roy A. Snyder, 8705 Cheshire Ct., Jessup, Md. 20794

Primary Examiner—Stella Reid
Attorney, Agent, or Firm—Robert W. Becker & Associates

[**] Term: 14 Years

[57] CLAIM

The ornamental design for a urinary catheter, as shown and described.

[21] Appl. No.: 167,438

DESCRIPTION

[22] Filed: Mar. 14, 1988

FIG. 1 is a perspective view of a urinary catheter, showing our new design;
FIG. 2 is an end elevational view thereof;
FIG. 3 is a side elevational view thereof;
FIG. 4 is an end elevational view thereof, opposite that shown in FIG. 2;
FIG. 5 is a top plan view thereof;
FIG. 6 is a bottom plan view thereof;
FIG. 7 is a side elevational view thereof, opposite that shown in FIG. 3;
FIG. 8 is a perspective view of a second embodiment of FIG. 1;
FIG. 9 is an end elevational view thereof;
FIG. 10 is side elevational view thereof;
FIG. 11 is an end elevational view thereof, opposite that shown in FIG. 9;
FIG. 12 is a top plan view thereof;
FIG. 13 is a bottom plan view thereof; and
FIG. 14 is a side elevational view thereof, opposite that shown in FIG. 10.

[52] U.S. Cl. D24/54

[58] Field of Search D24/54; 604/53, 99, 604/103, 104, 171, 246, 247, 249, 267, 265, 349; 128/DIG. 25

[56] References Cited

U.S. PATENT DOCUMENTS

| | | | | |
|------------|---------|-----------------|-------|-----------|
| D. 252,470 | 7/1979 | Pawlak | | D24/54 |
| 3,683,928 | 8/1972 | Kuntz | . | |
| 3,854,483 | 12/1974 | Powers | . | |
| 3,861,395 | 1/1975 | Taniguchi | . | |
| 3,894,540 | 7/1975 | Bonner, Jr. | . | |
| 3,898,993 | 8/1975 | Taniguchi | . | |
| 4,140,127 | 2/1979 | Cianci et al. | . | |
| 4,539,234 | 9/1985 | Sakamoto et al. | . | |
| 4,571,241 | 2/1986 | Christopher | | 604/247 X |
| 4,622,033 | 11/1986 | Taniguchi | | 604/265 X |
| 4,723,946 | 2/1988 | Kay | | 604/267 |

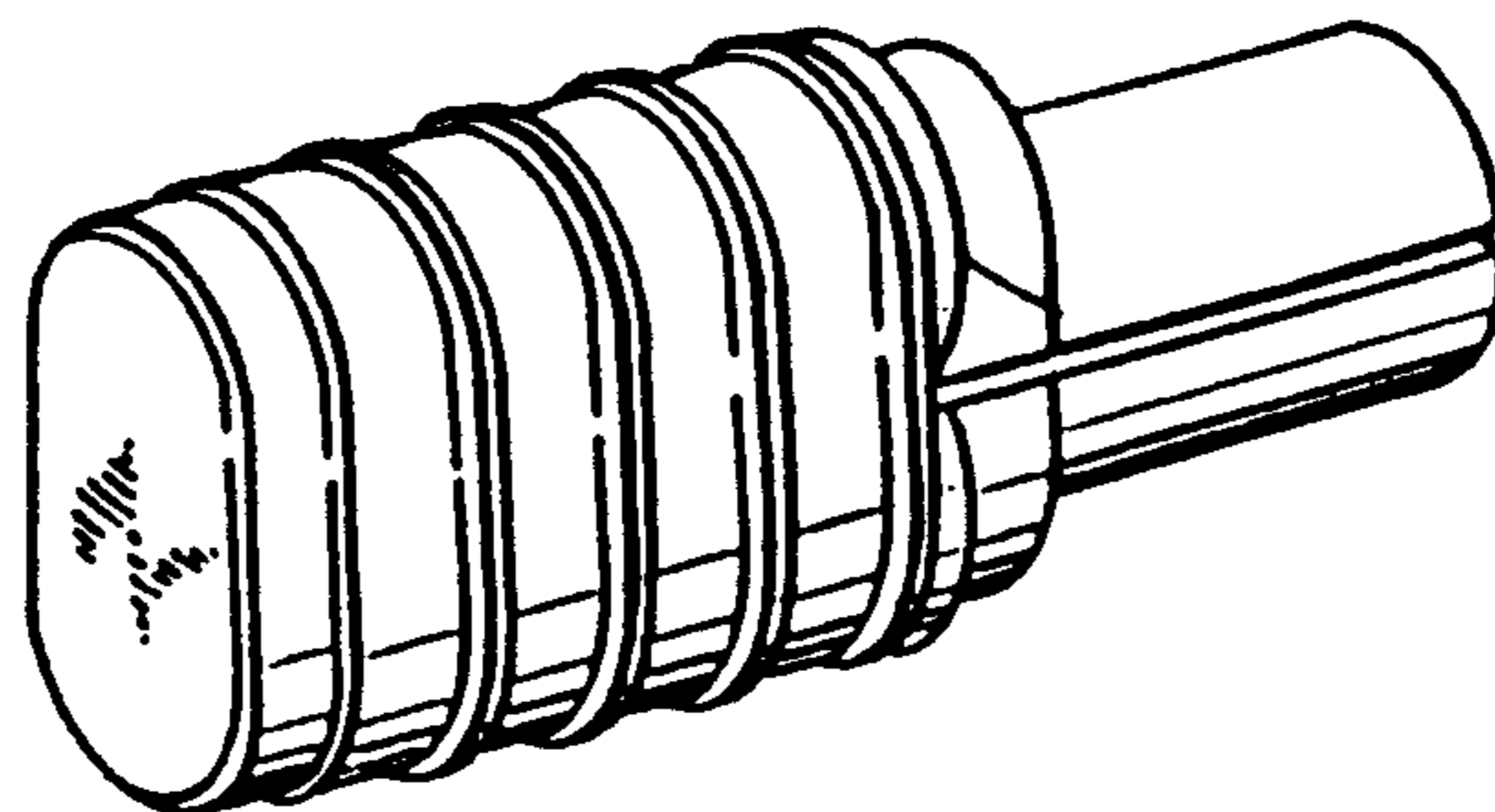
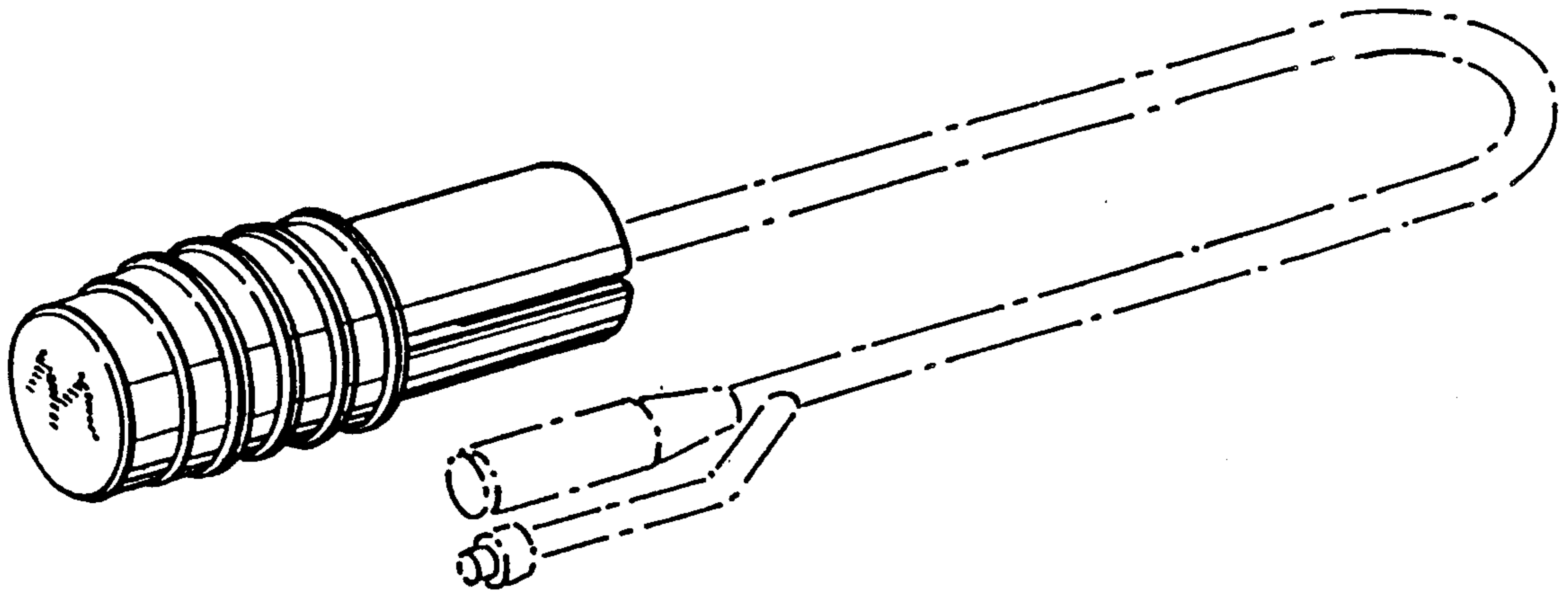


FIG-1

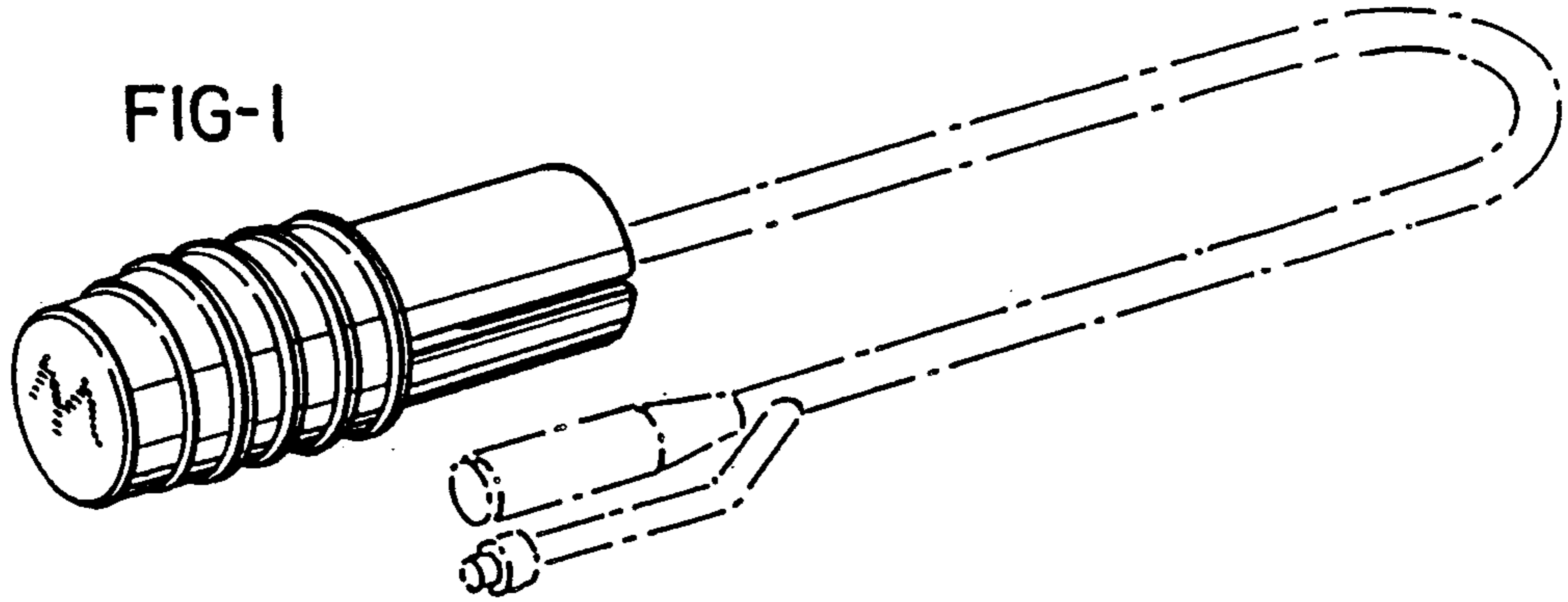


FIG-2

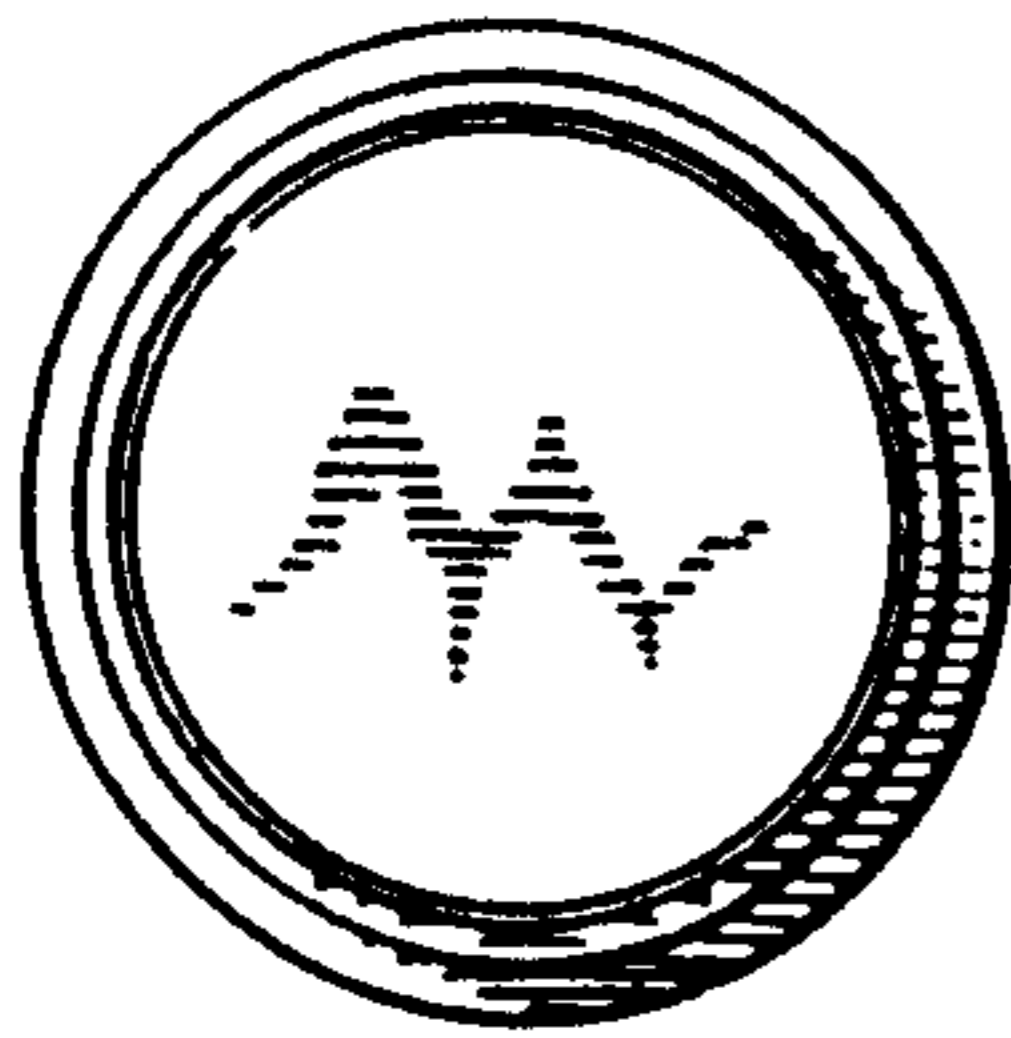


FIG-3

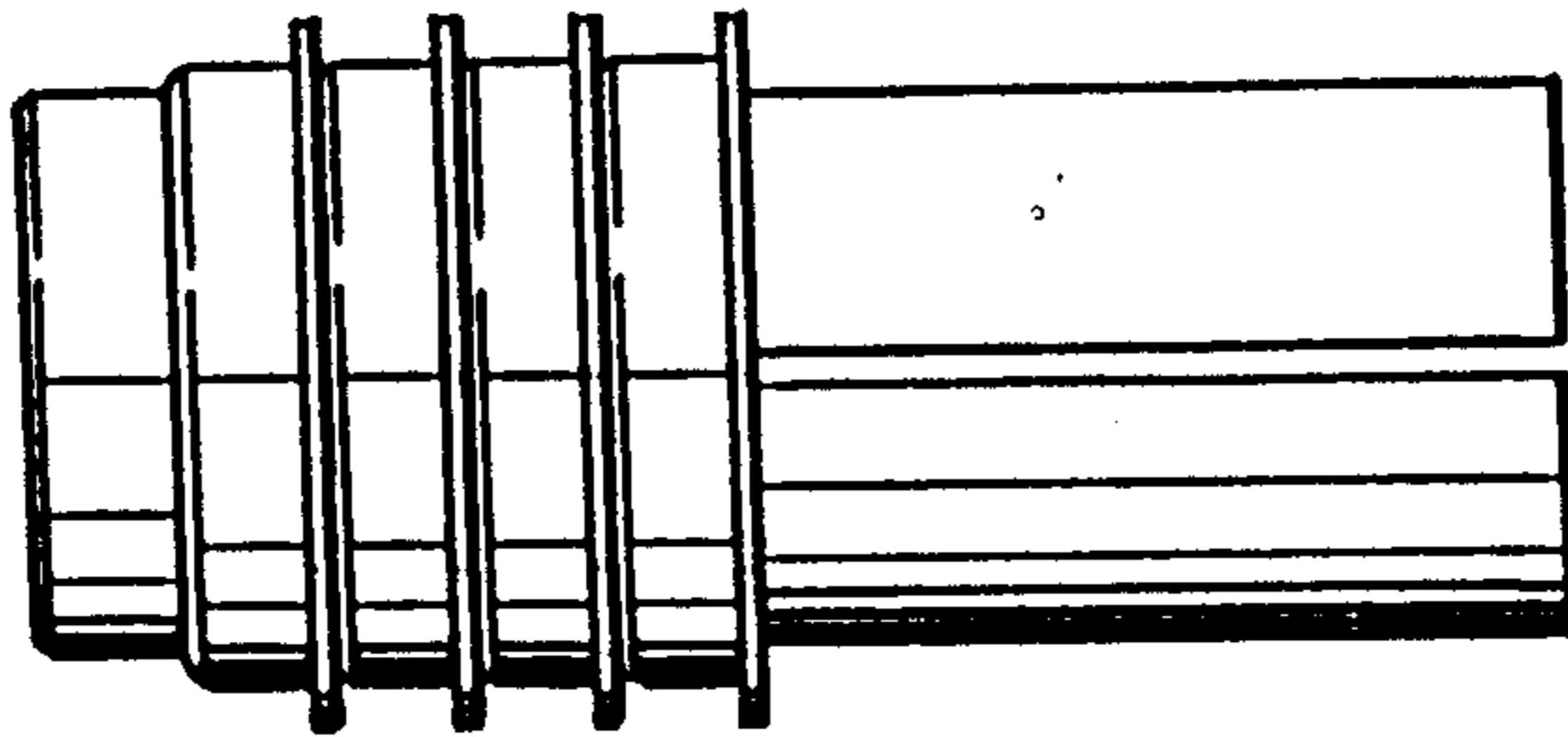


FIG-4

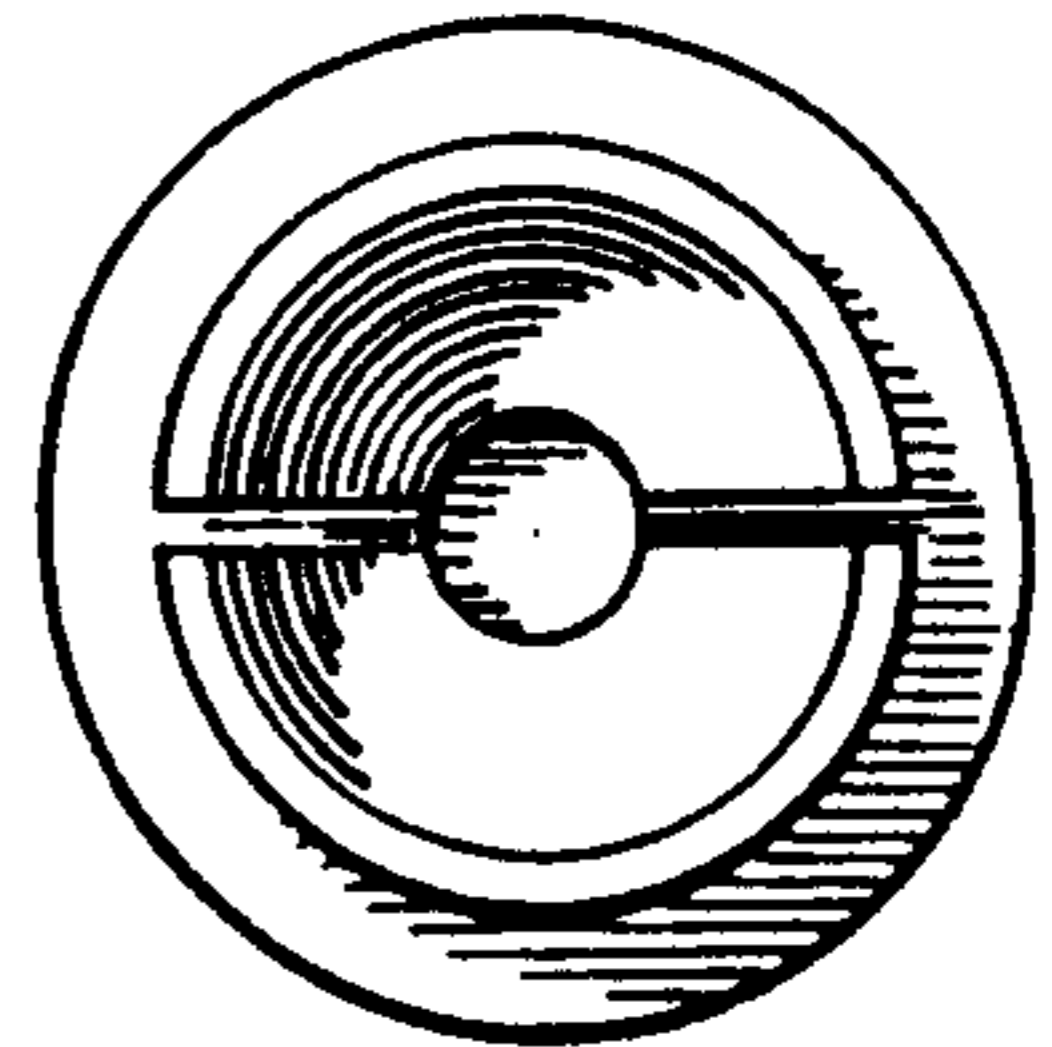


FIG-8

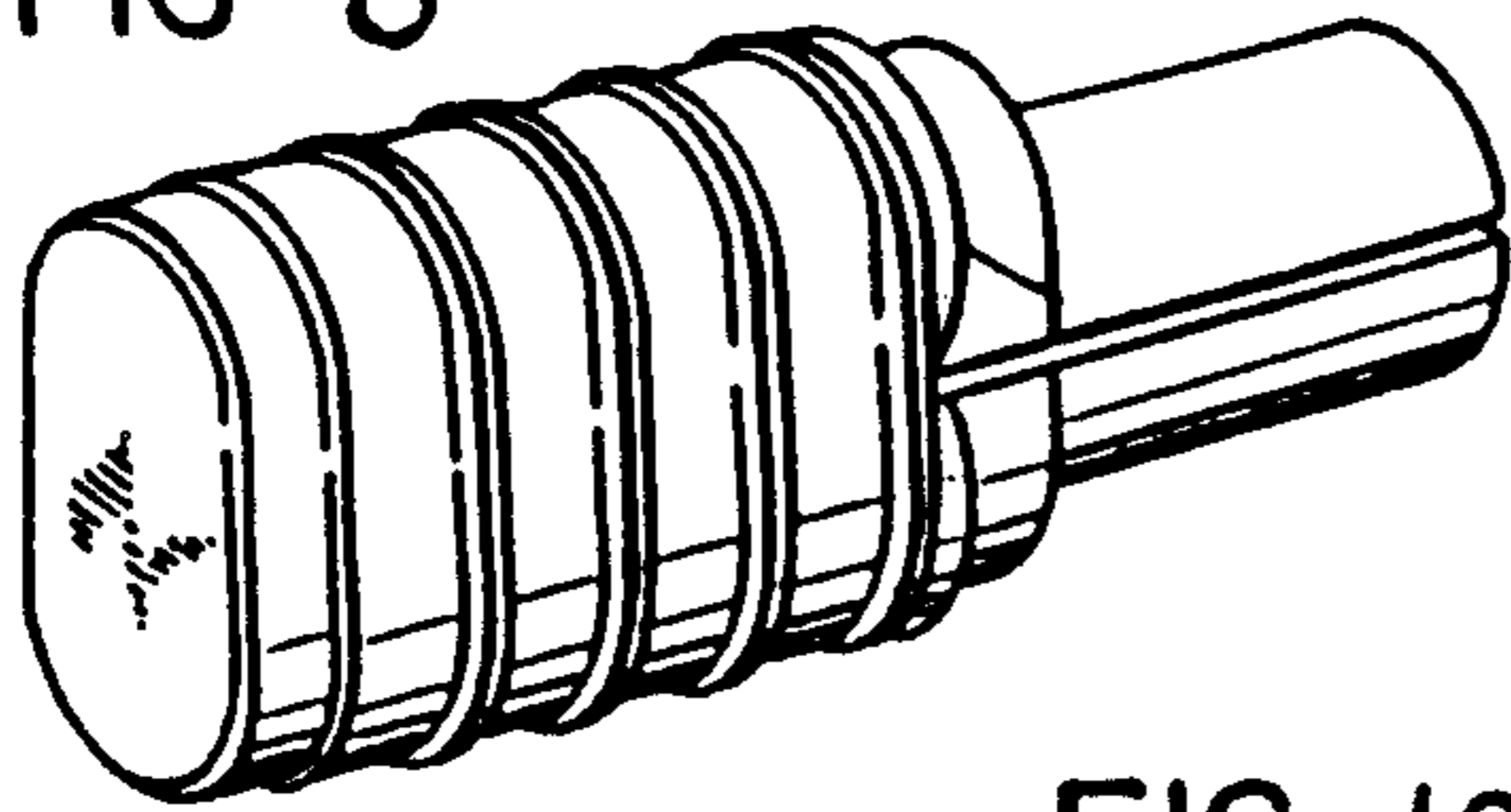


FIG-9

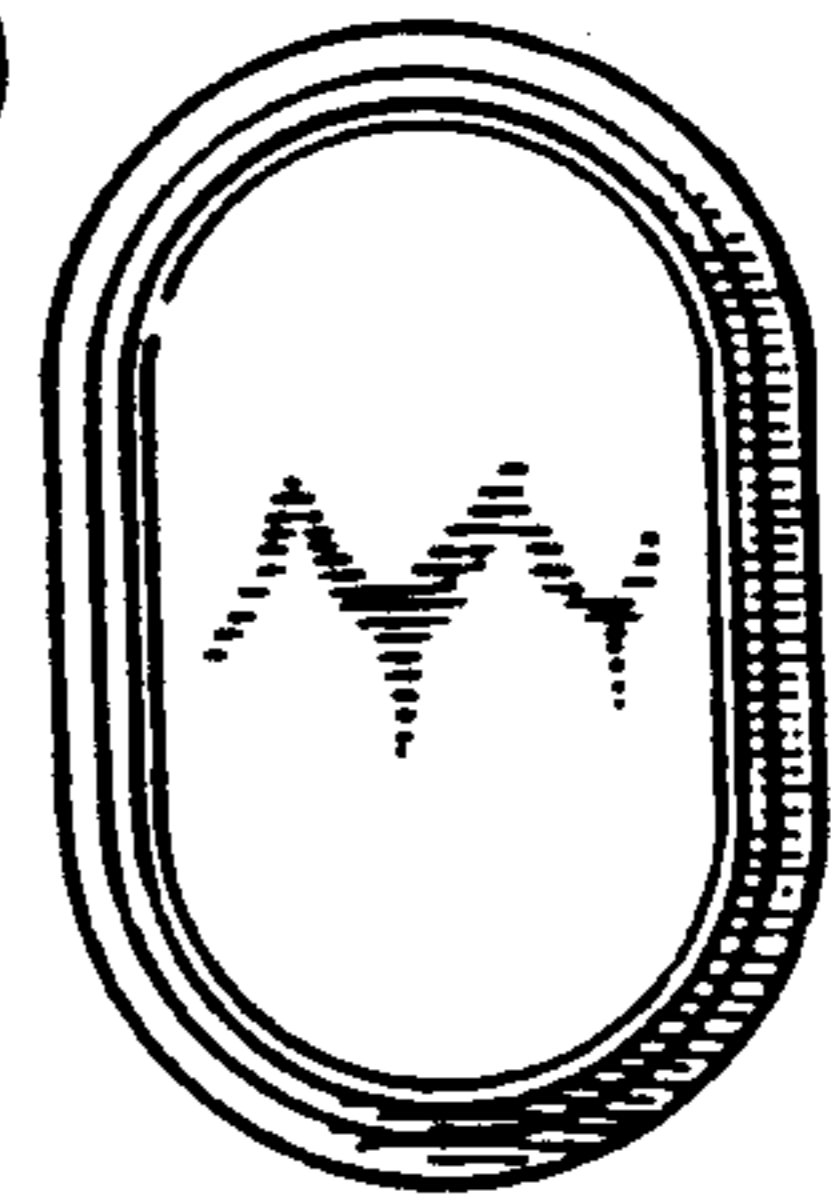


FIG-10

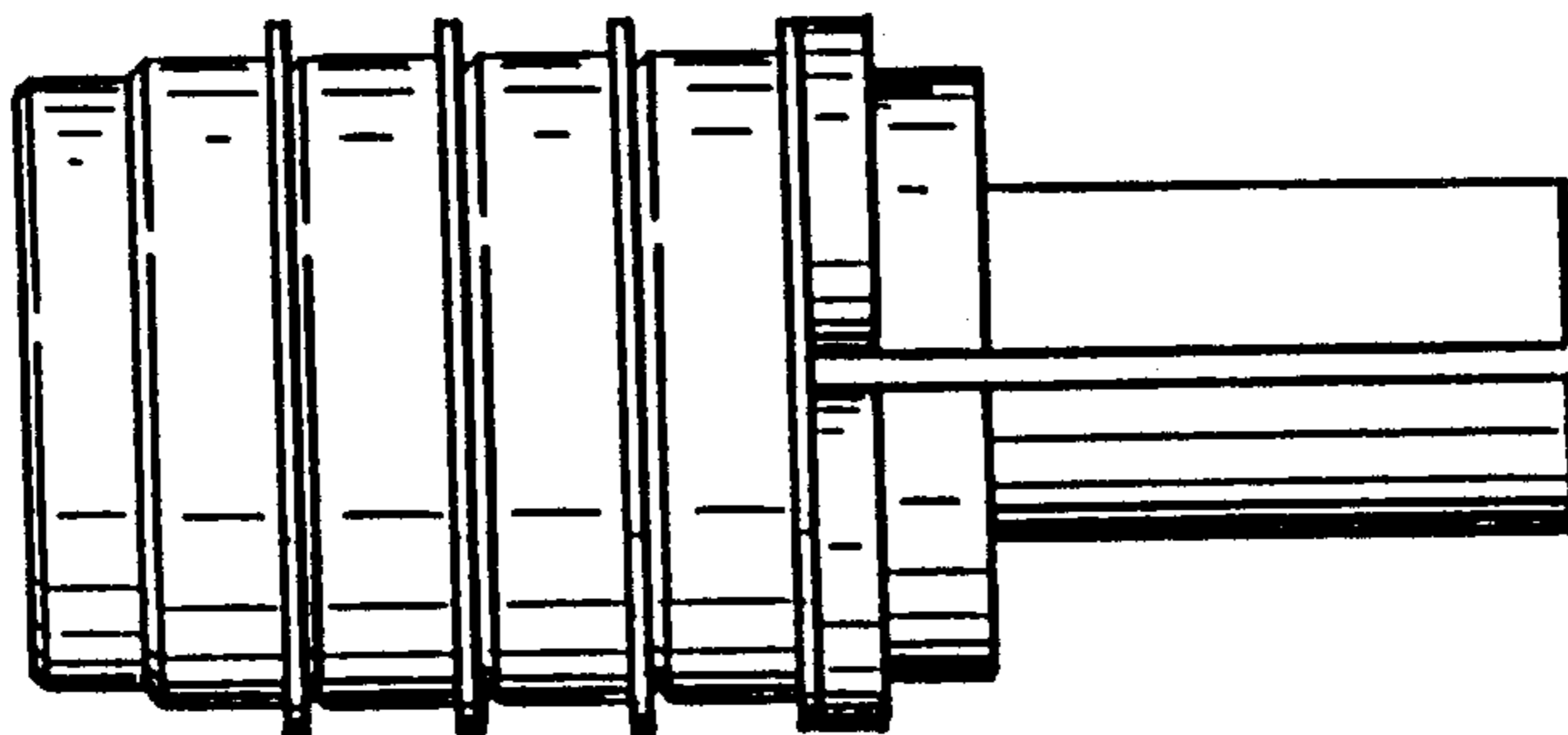


FIG-11

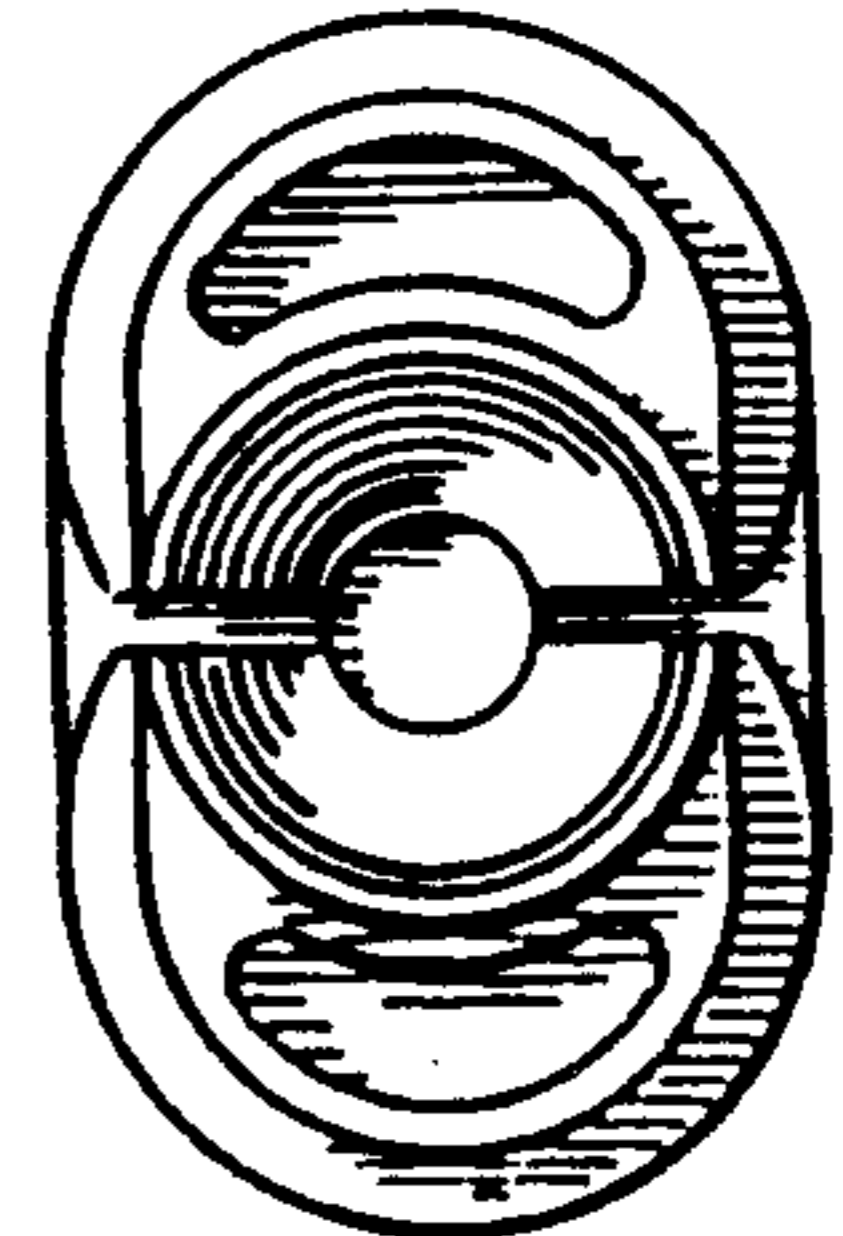


FIG-5

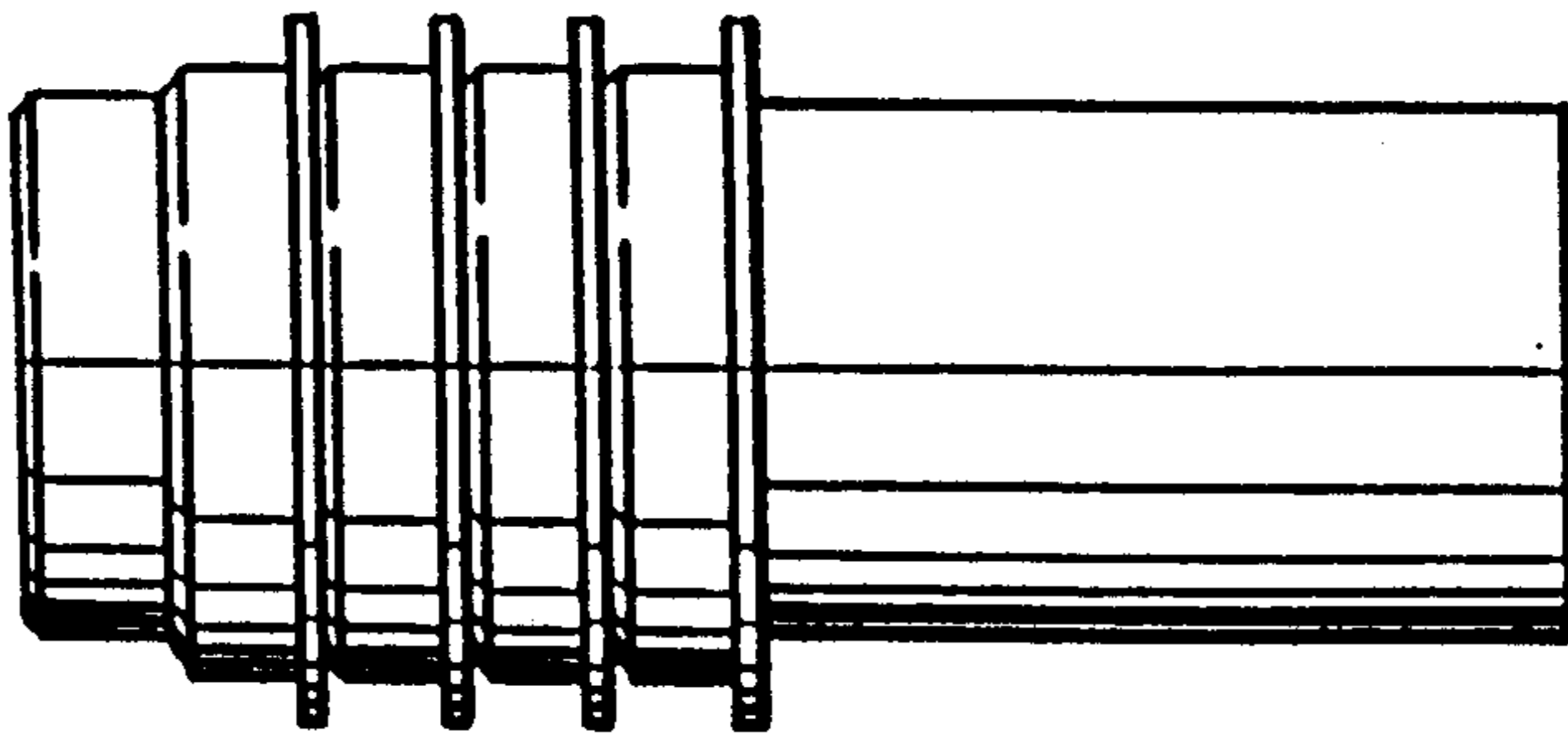


FIG-6

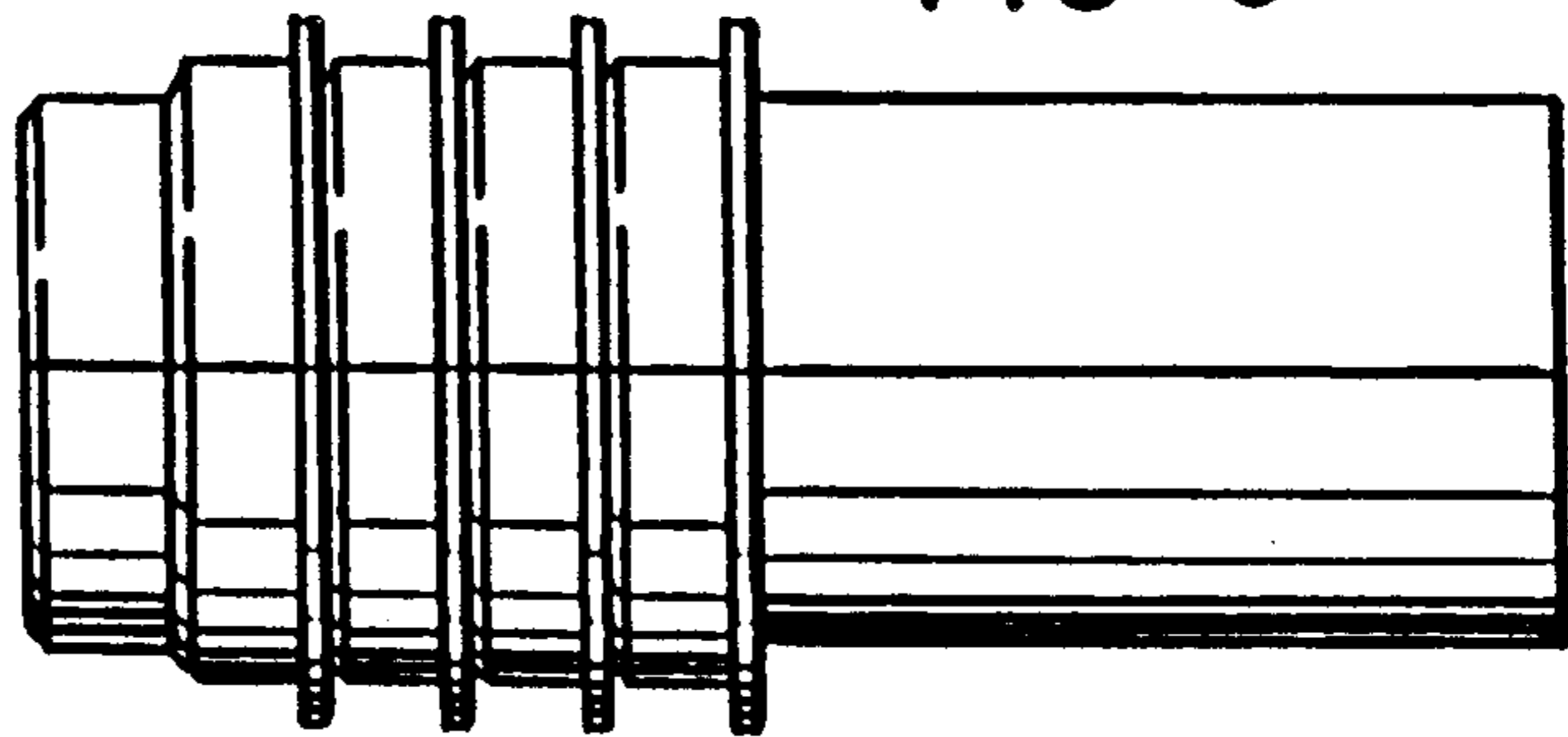


FIG-7

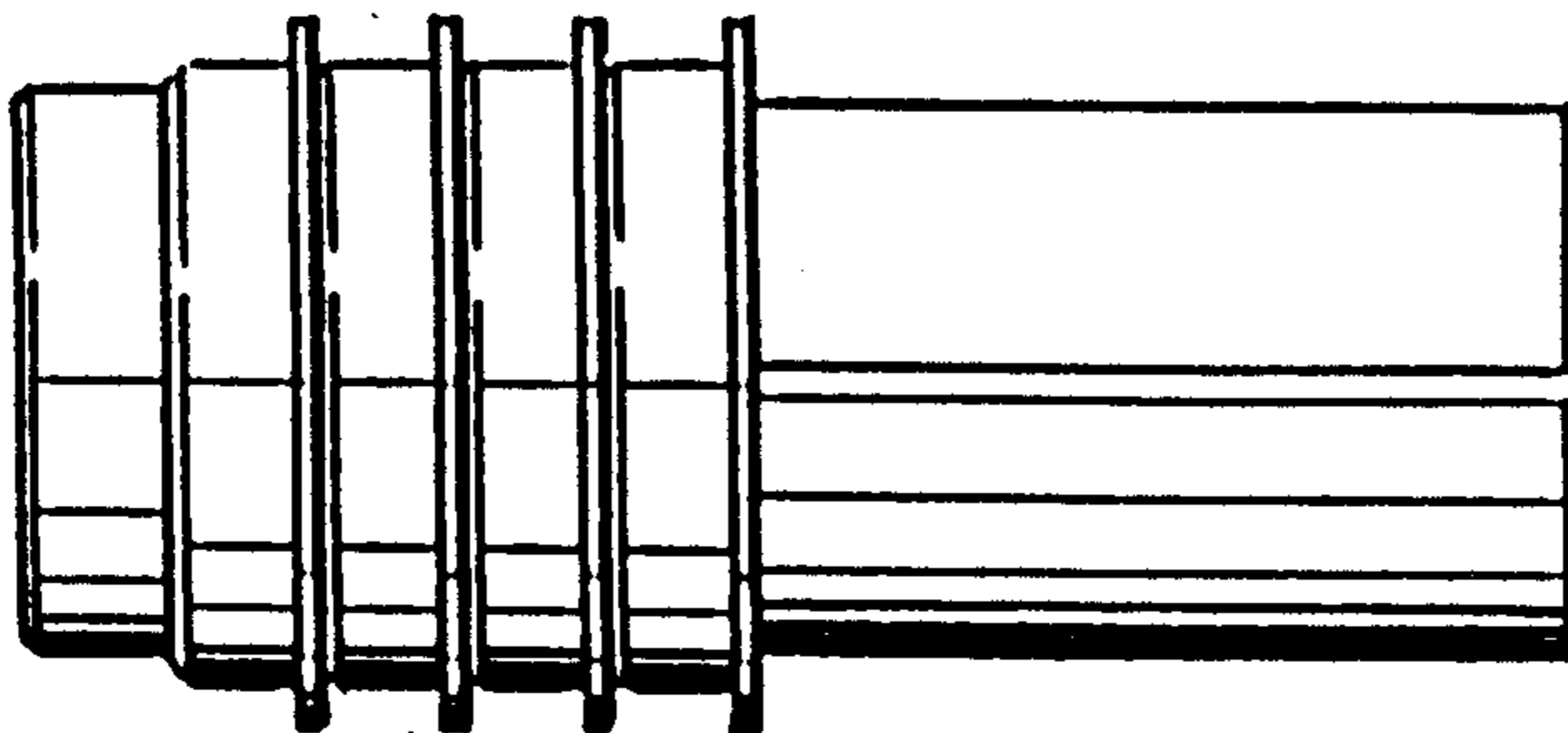


FIG-13

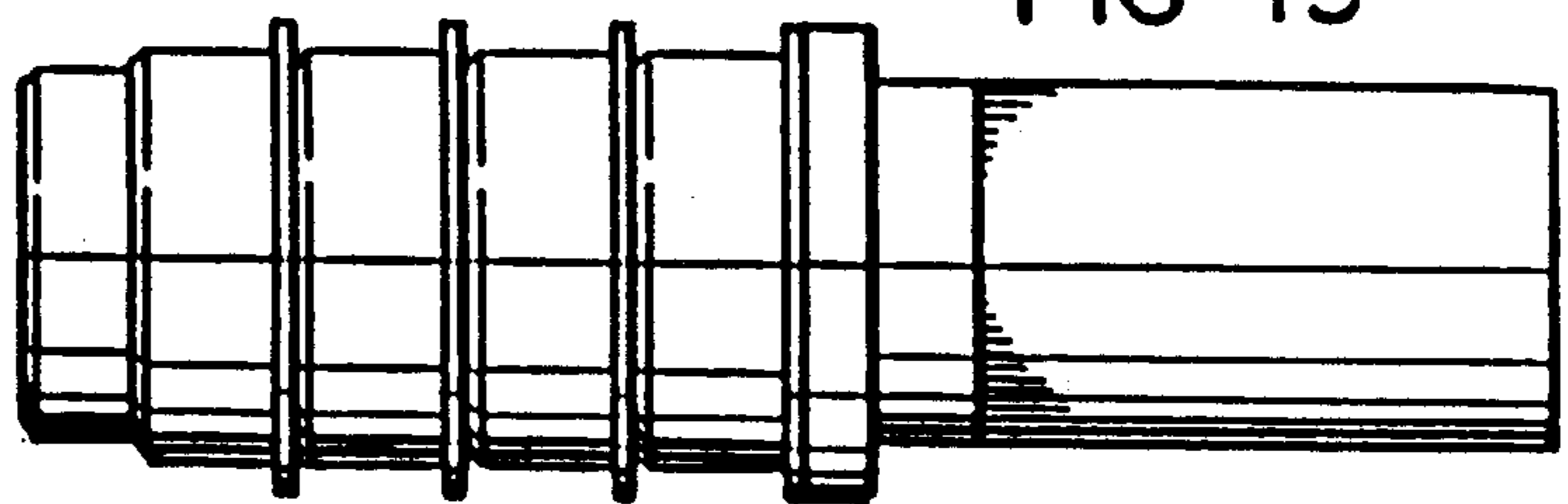


FIG-14

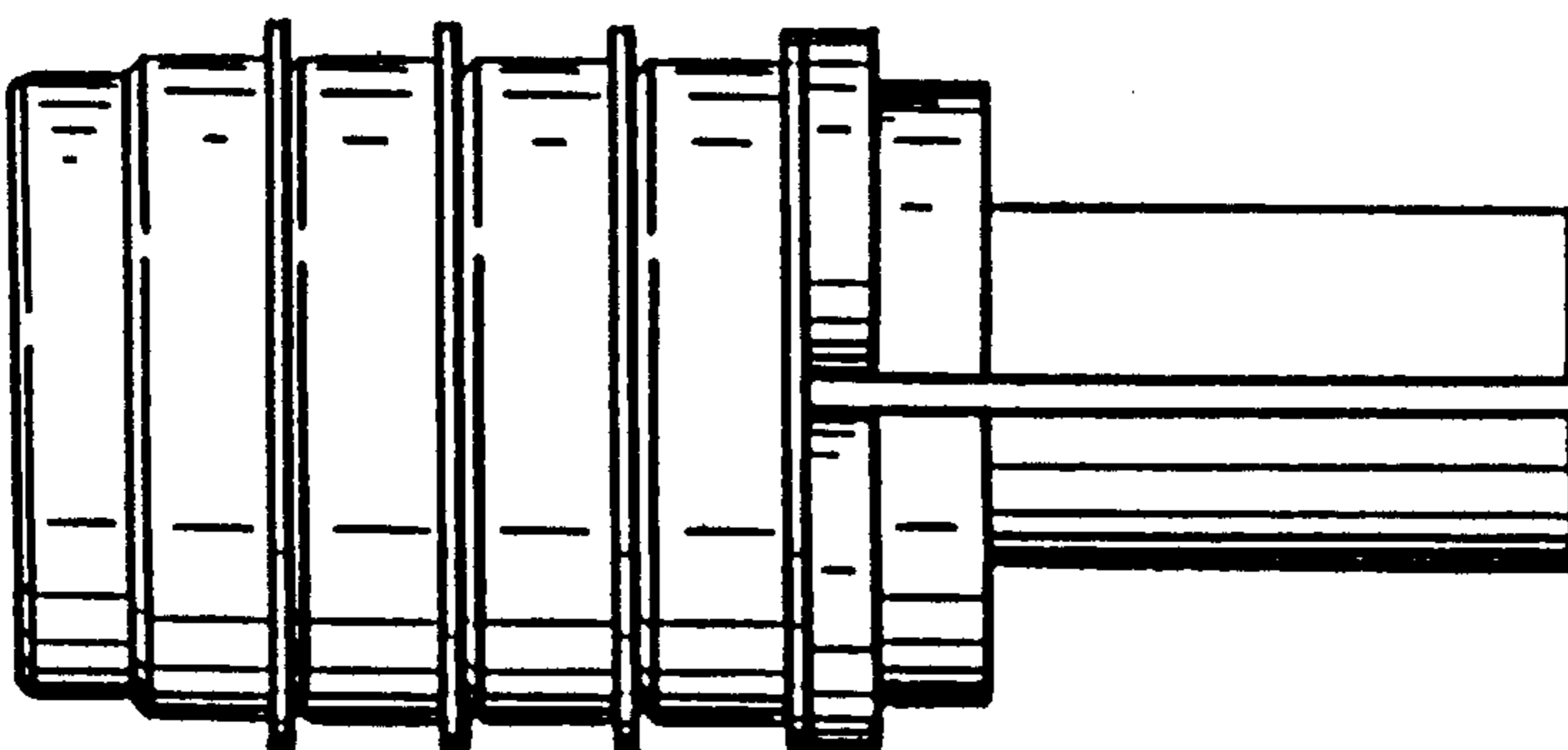


FIG-12

