

# United States Patent [19]

Duk

[11] Patent Number: **Des. 315,408**

[45] Date of Patent: **\*\* Mar. 12, 1991**

[54] **MASSAGER**

[75] Inventor: **Lam K. Duk, Sai kung, Hong Kong**

[73] Assignee: **Sealand Industrial Co., Ltd.,  
Kowloon, Hong Kong**

[\*\*] Term: **14 Years**

[21] Appl. No.: **106,765**

[22] Filed: **Oct. 13, 1987**

[30] **Foreign Application Priority Data**

Jun. 4, 1987 [GB] United Kingdom ..... 1042632

[52] U.S. Cl. .... **D24/41**

[58] Field of Search ..... D24/41, 42, 40;  
128/24.1-24.5, 57, 59, 60, 62 R, 67, 44

[56] **References Cited**

### U.S. PATENT DOCUMENTS

D. 209,031 10/1967 Teranishi ..... D24/41

D. 228,473 9/1973 Koshido et al. .... D24/41

D. 266,532 10/1982 Grube ..... D24/41

D. 301,617 6/1989 Yonesawa et al. .... D24/41

4,604,993 8/1986 Moriwaki et al. .... 128/24.2

*Primary Examiner*—A. Hugo Word

*Assistant Examiner*—Stella M. Reid

*Attorney, Agent, or Firm*—Burns, Doane, Swecker &  
Mathis

[57] **CLAIM**

The ornamental design for a massager, as shown and described.

### DESCRIPTION

FIG. 1 is a front elevational view of a massager showing my new design;

FIG. 2 is a right side elevational view thereof;

FIG. 3 is a rear elevational view thereof;

FIG. 4 is a left side elevational view thereof;

FIG. 5 is a top plan view thereof;

FIG. 6 is a bottom plan view thereof; and

FIG. 7 is an enlarged perspective view thereof.

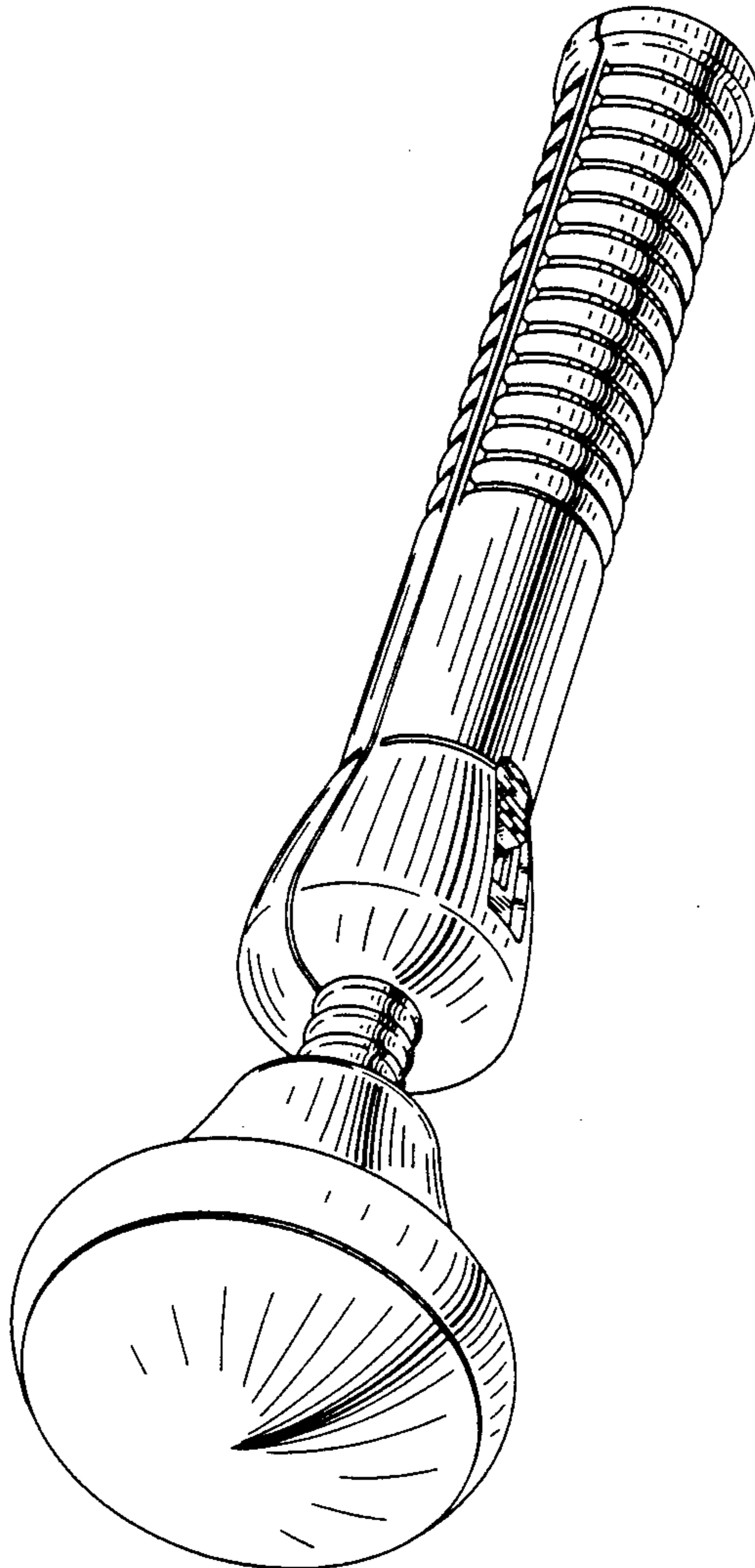


FIG. 1

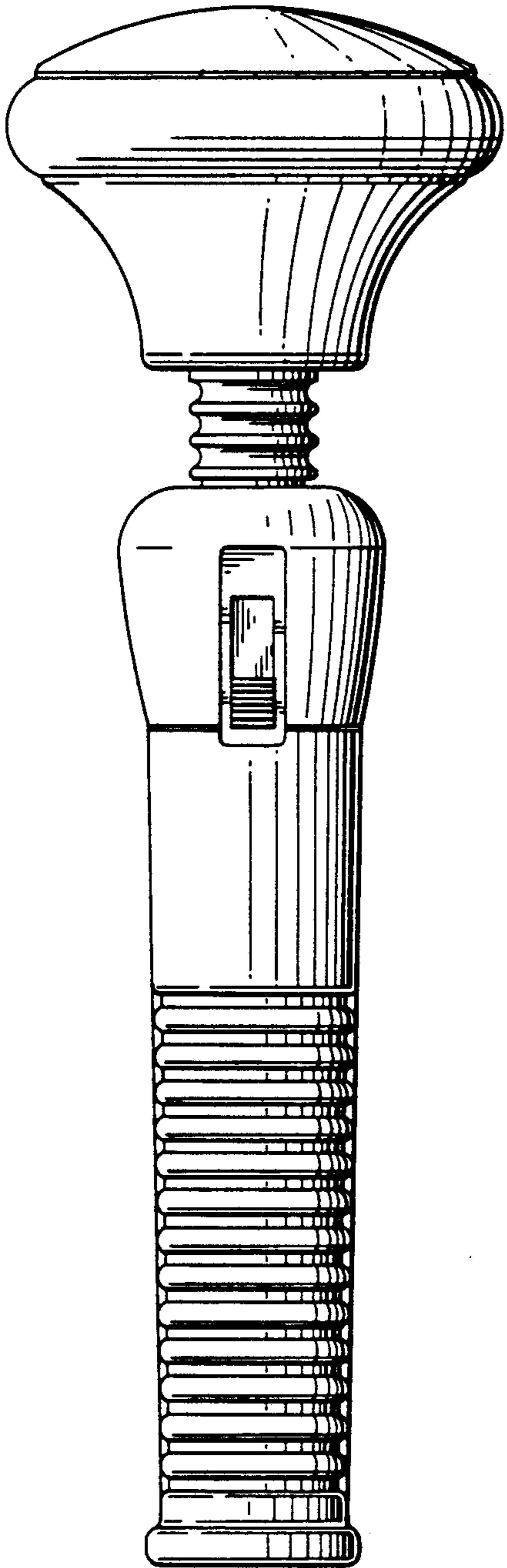


FIG. 2

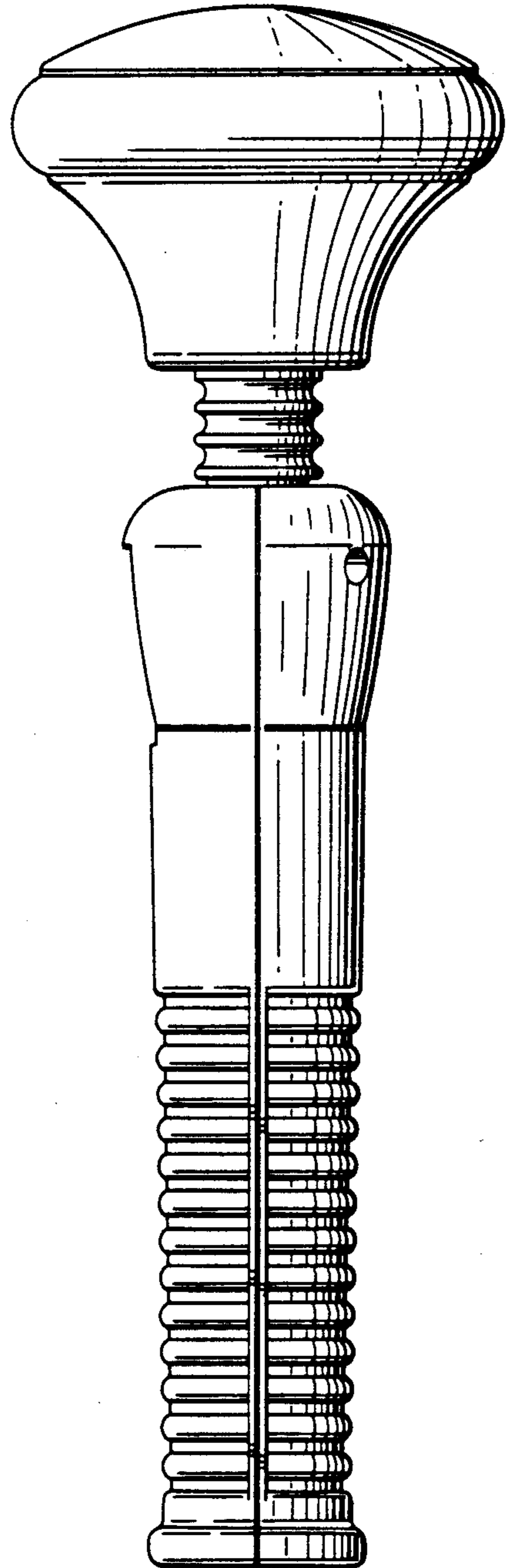


FIG. 3

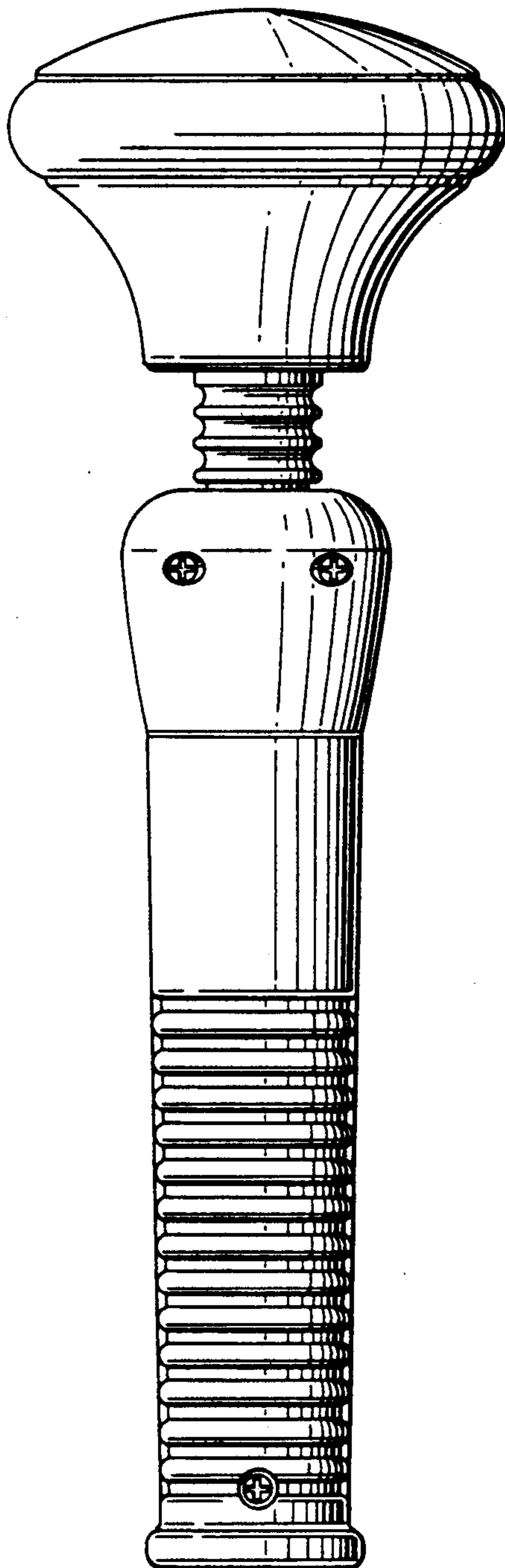


FIG. 4

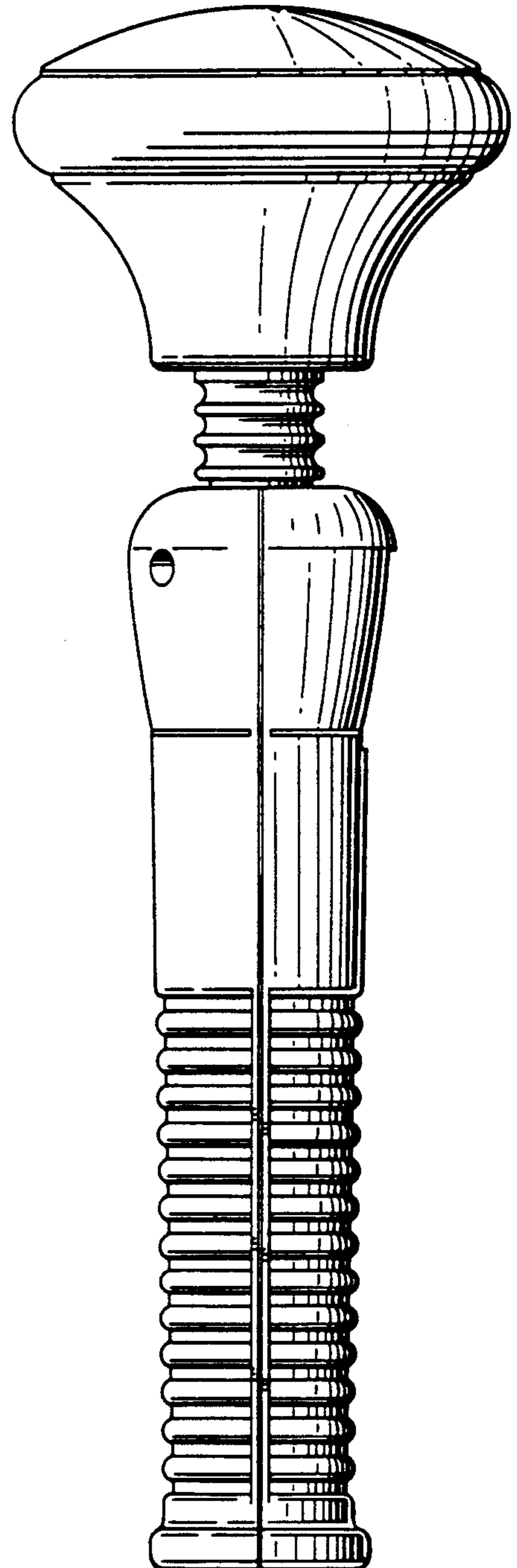


FIG. 5

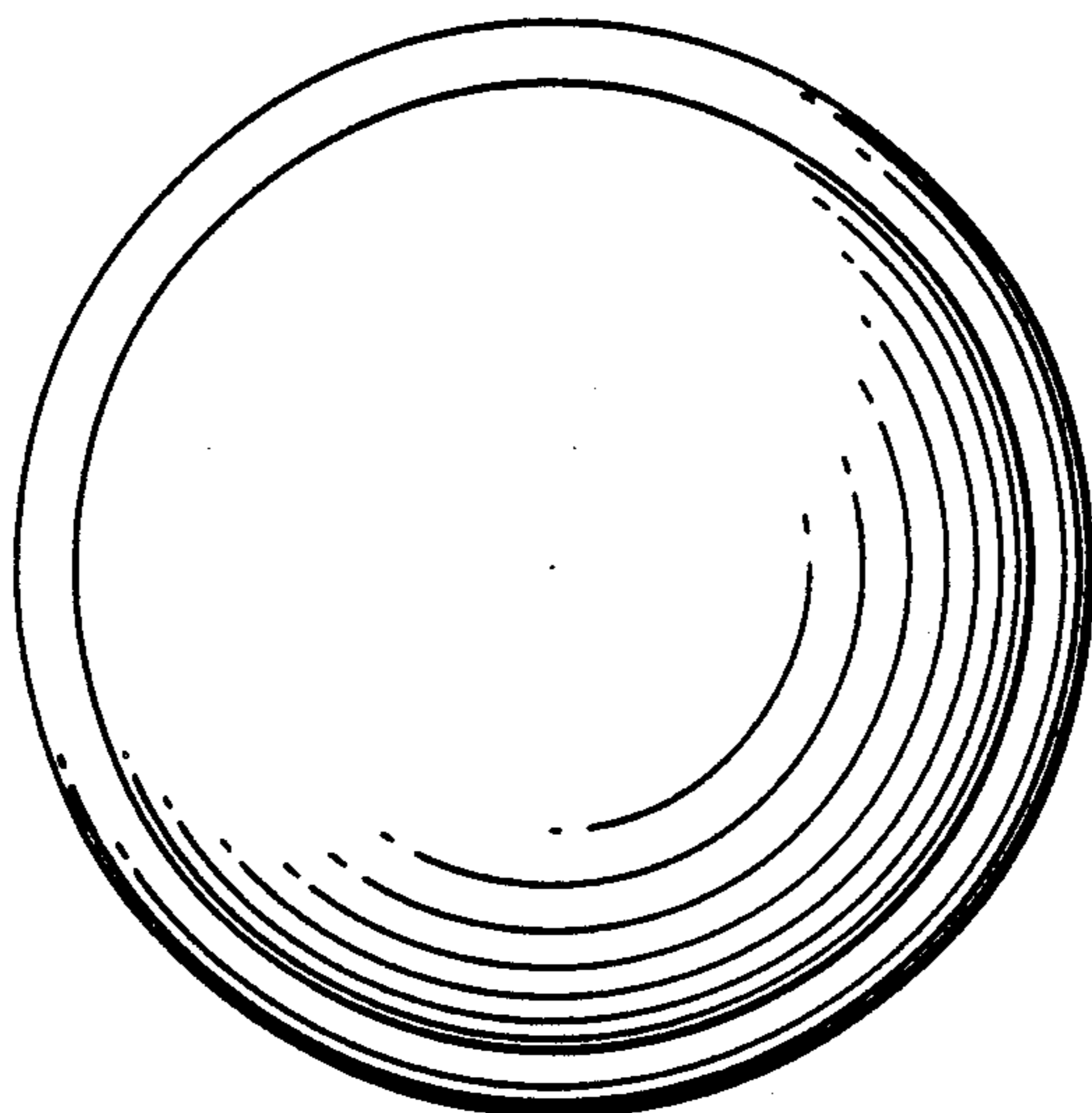
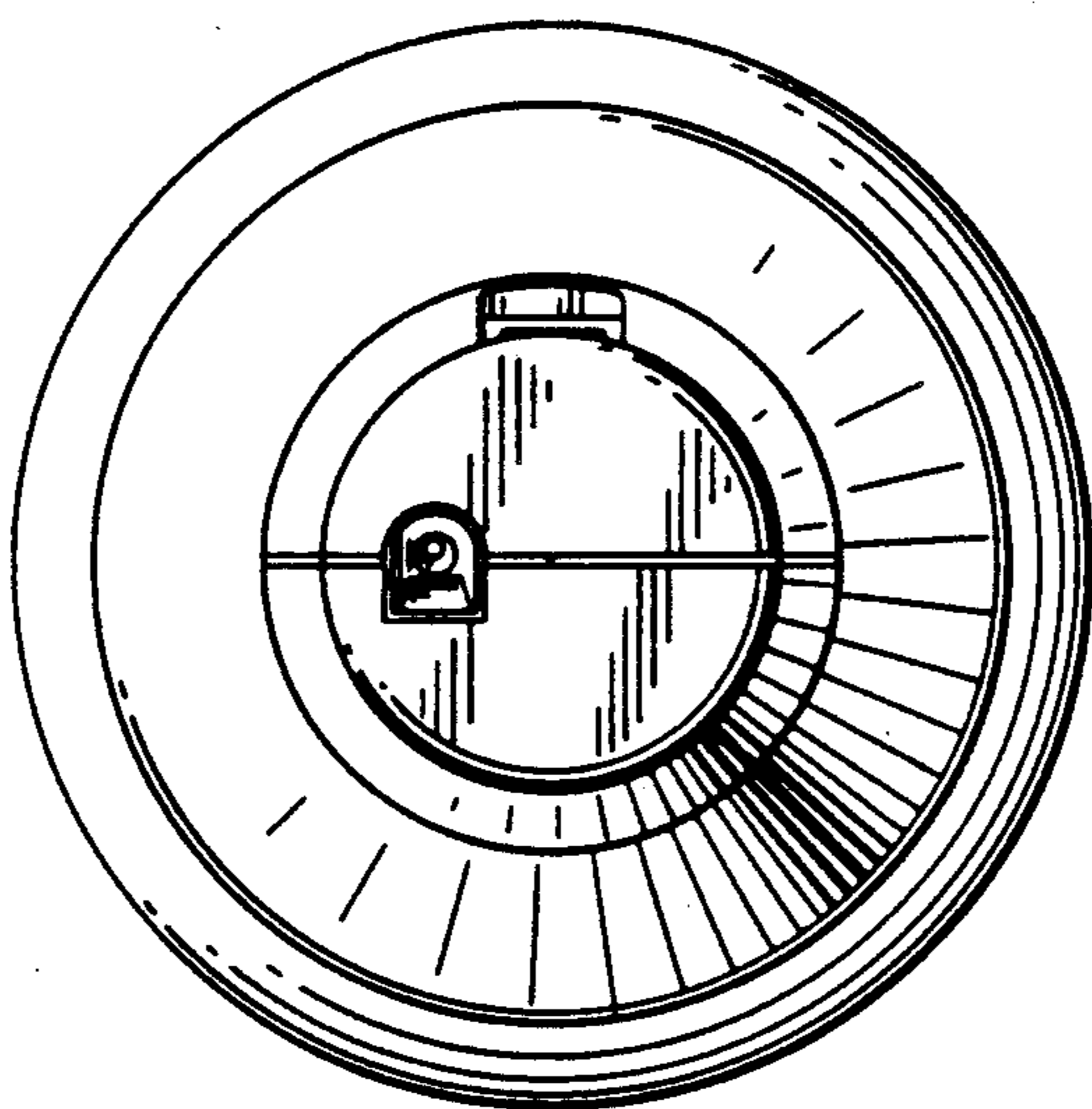


FIG. 6



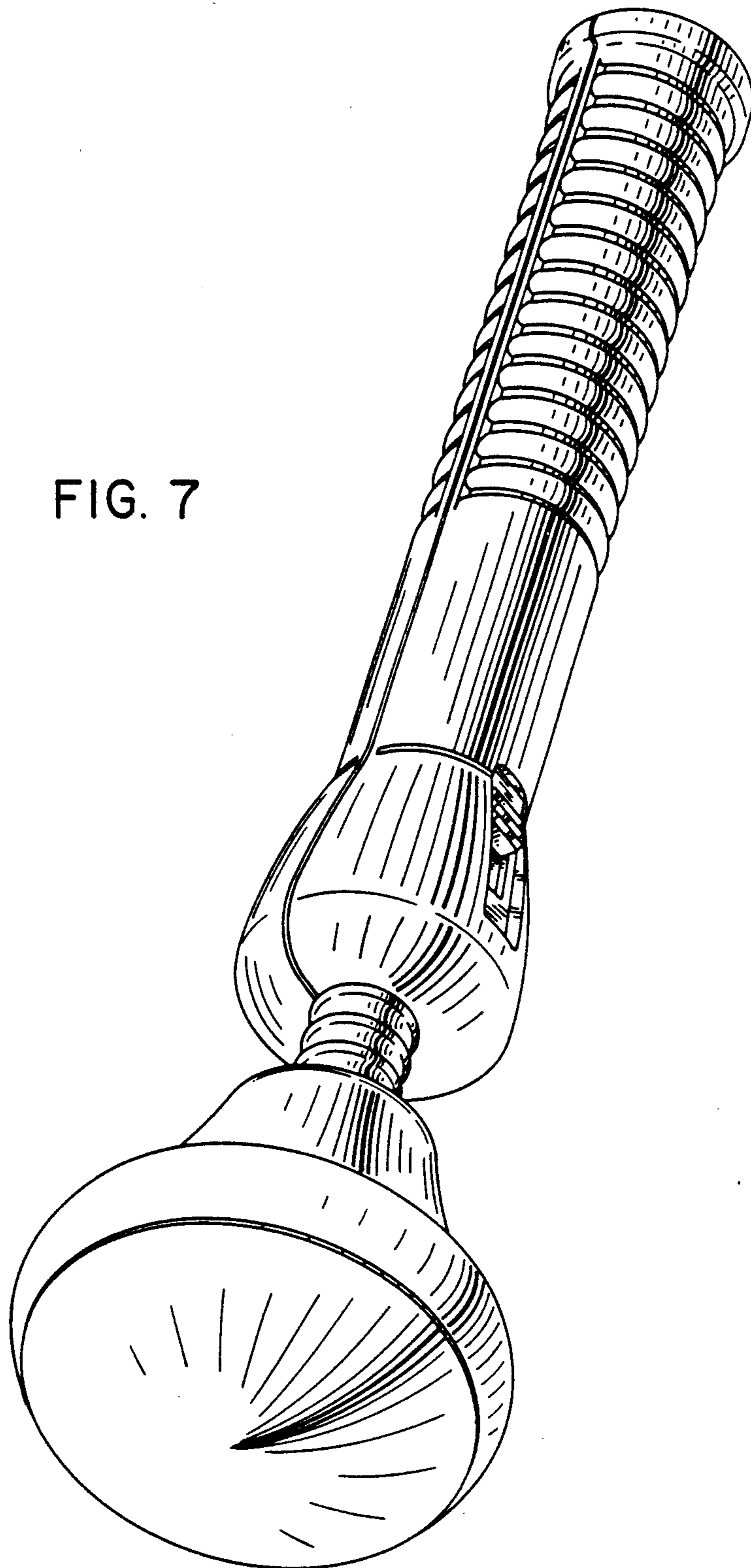


FIG. 7