

[54] SYRINGE JACKET WITH PLUNGER HANDLE

[75] Inventors: Gary D. Bradrick, Camarillo; Robert B. Guthrie, Oxnard, both of Calif.

[73] Assignee: Spectramed, Inc., Oxnard, Calif.

[**] Term: 14 Years

[21] Appl. No.: 186,178

[22] Filed: Apr. 26, 1988

[52] U.S. Cl. D24/25; D24/24

[58] Field of Search D24/25, 24; 604/220, 604/227, 201, 240, 143

[56] References Cited

U.S. PATENT DOCUMENTS

D. 303,010	8/1989	Jabbusch	D24/24
D. 306,069	2/1990	Kelly et al.	D24/24
1,589,046	6/1926	Brix	604/227
2,778,361	1/1957	Huston	604/227 X
4,687,472	8/1987	Gross	604/227 X

Primary Examiner—A. Hugo Word

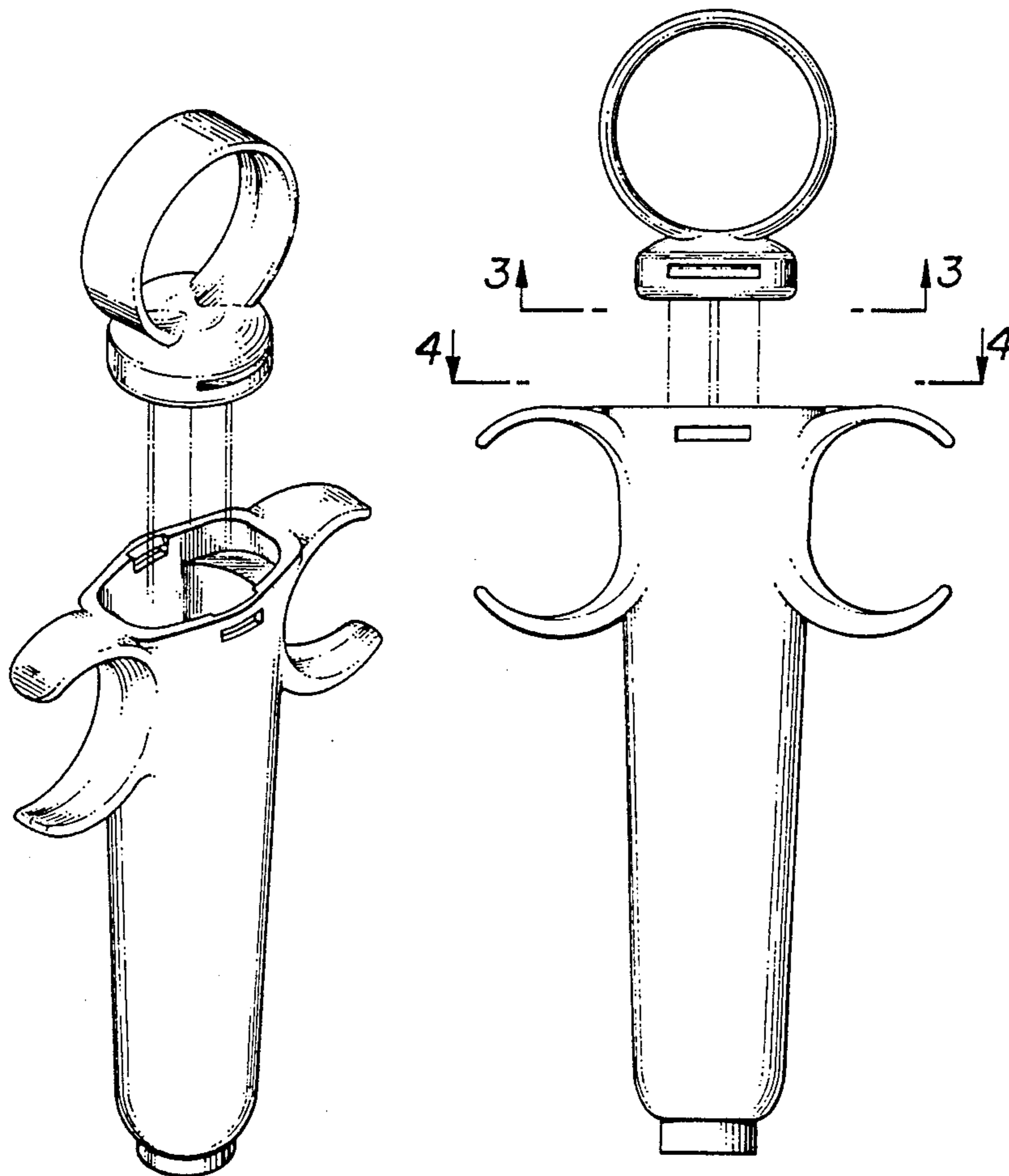
Assistant Examiner—Stella M. Reid
Attorney, Agent, or Firm—Roger M. Rathbun; Larry R. Cassett

[57] CLAIM

The ornamental design for a syringe jacket with plunger handle, as shown and described.

DESCRIPTION

FIG. 1 is a perspective view of a syringe jacket with plunger handle, showing our new design;
 FIG. 2 is a front elevational view thereof, the rear elevational view being identical thereto;
 FIG. 3 is a bottom plan view of the handle portion, taken in the direction of line 3—3 of FIG. 2;
 FIG. 4 is a top plan view of the syringe jacket portion, taken in the direction of line 4—4 of FIG. 2;
 FIG. 5 is a side elevational view of the syringe jacket with handle, the opposite side elevational view being identical;
 FIG. 6 is a top plan view thereof;
 FIG. 7 is a bottom plan view thereof; and
 FIG. 8 is an enlarged, fragmentary cross-sectional view taken along line 8—8 of FIG. 5.



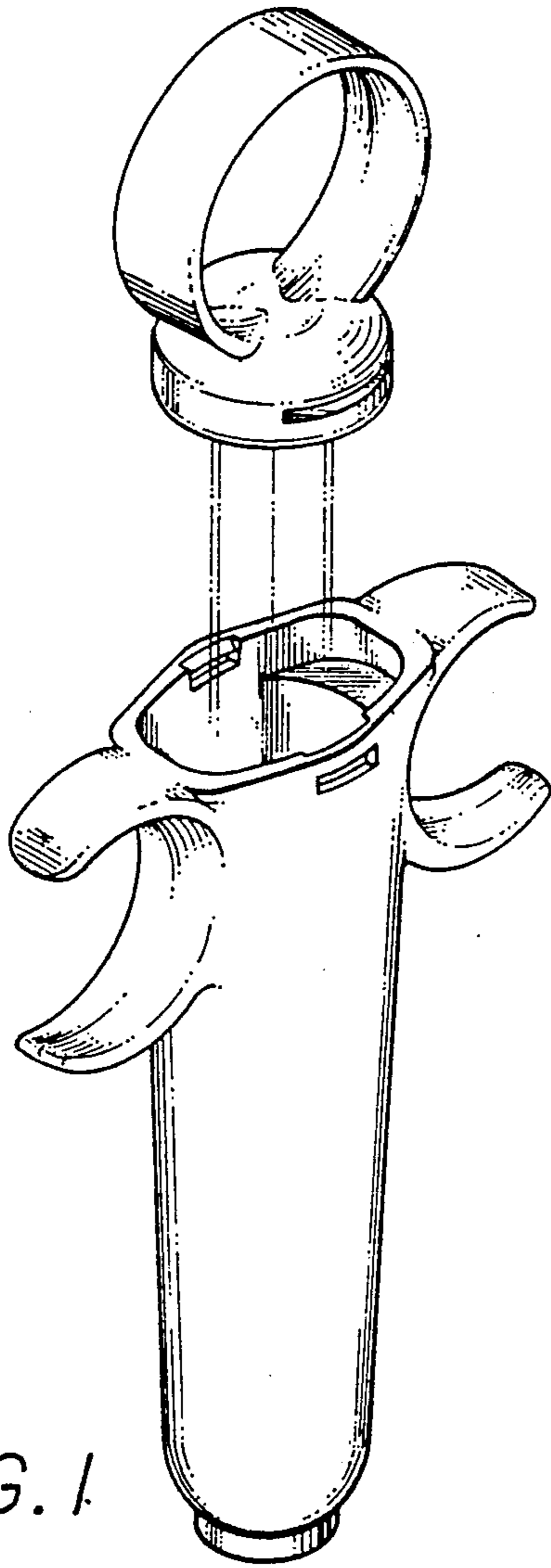


FIG. 1

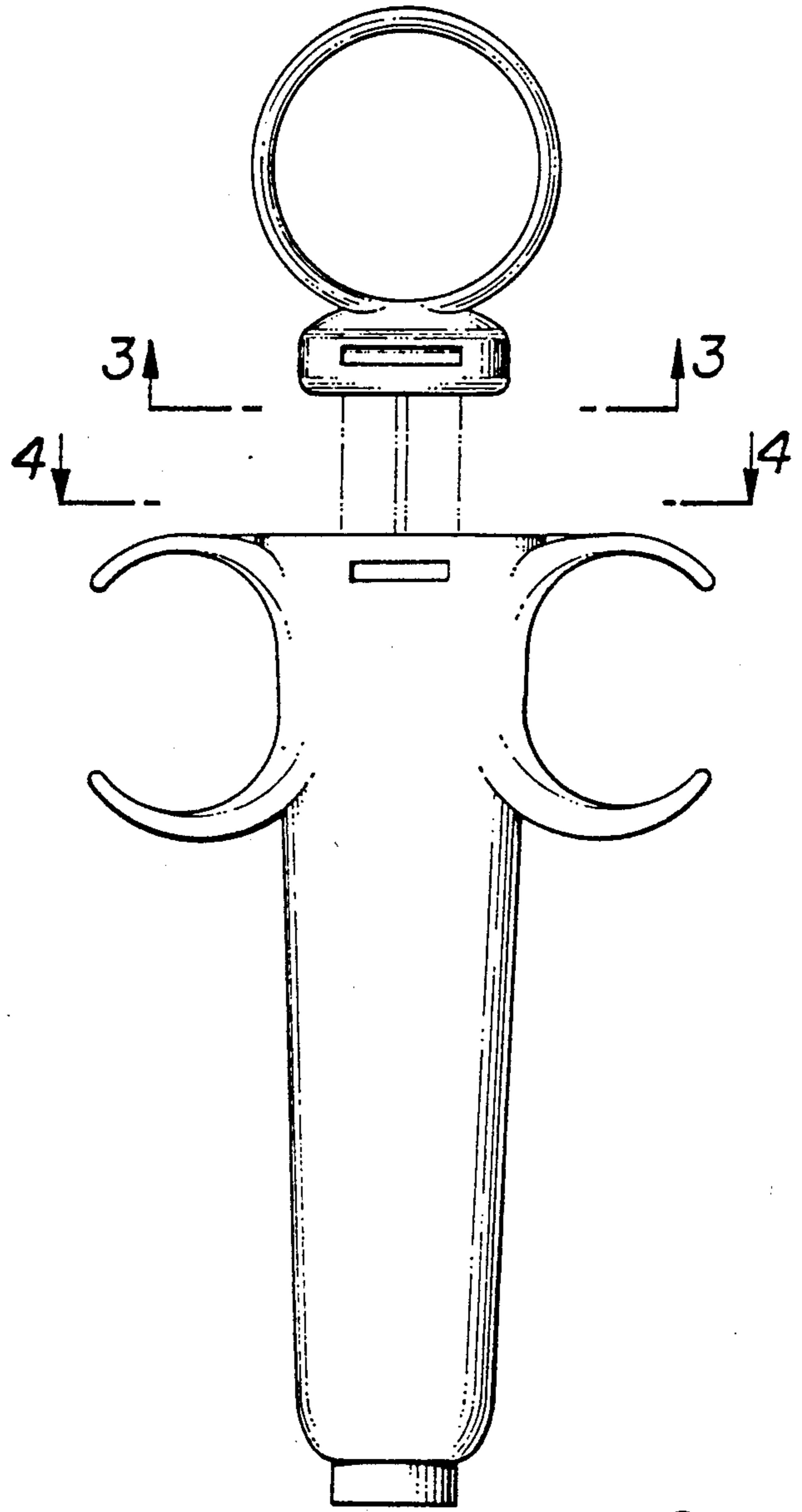


FIG. 2

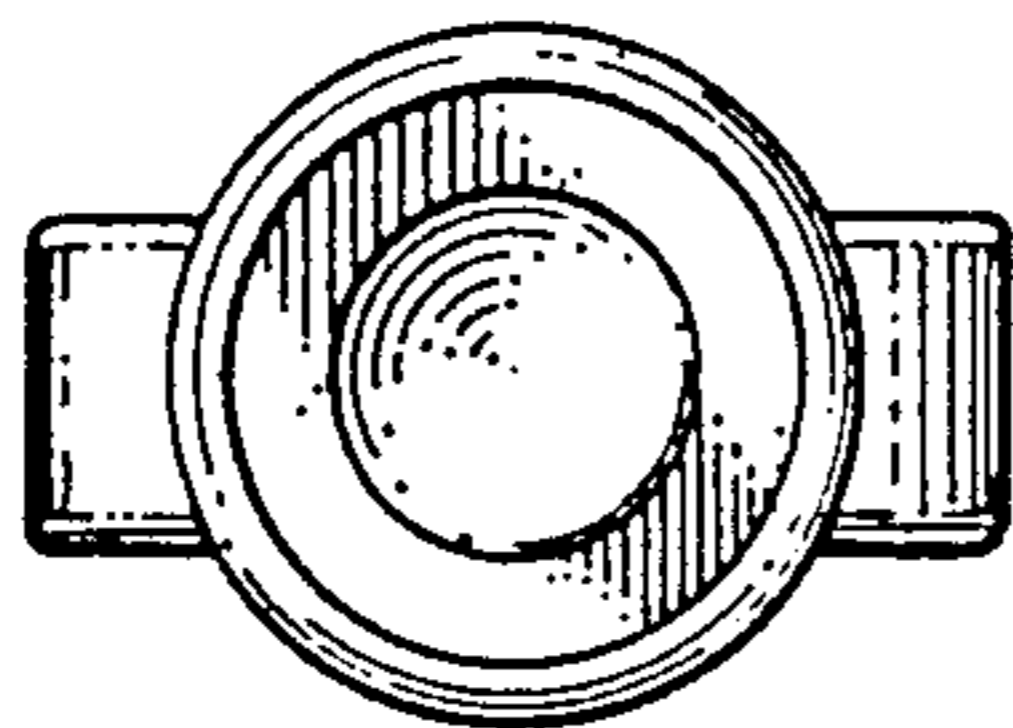


FIG. 3

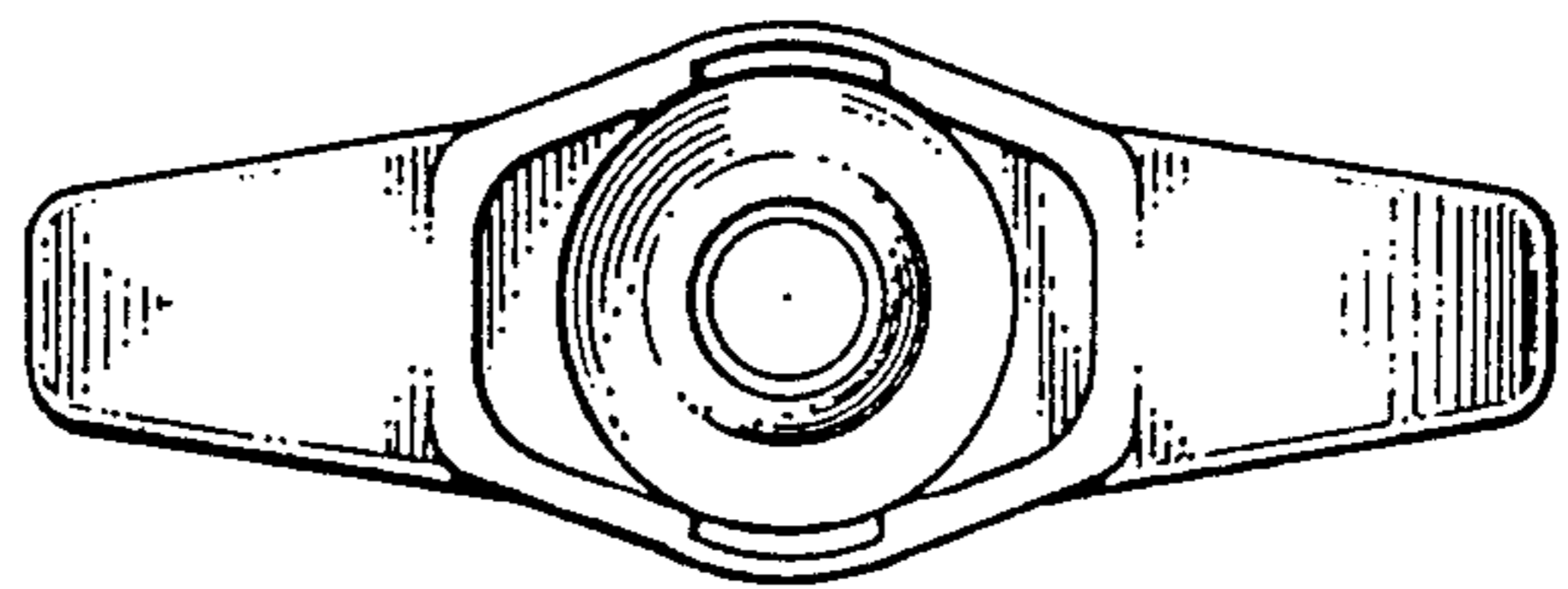


FIG. 4

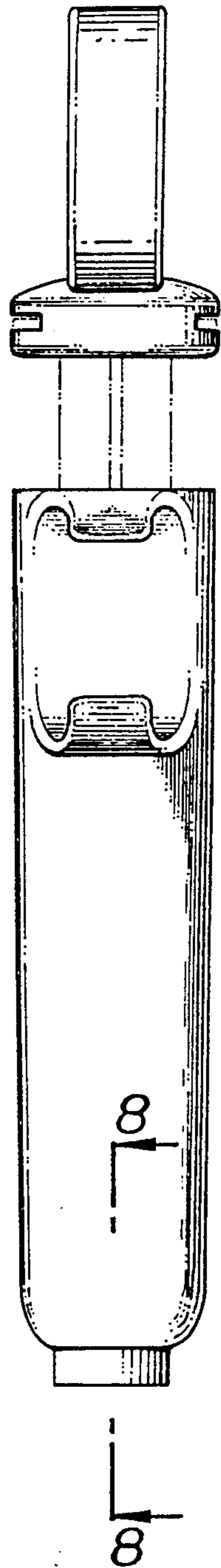


FIG. 5

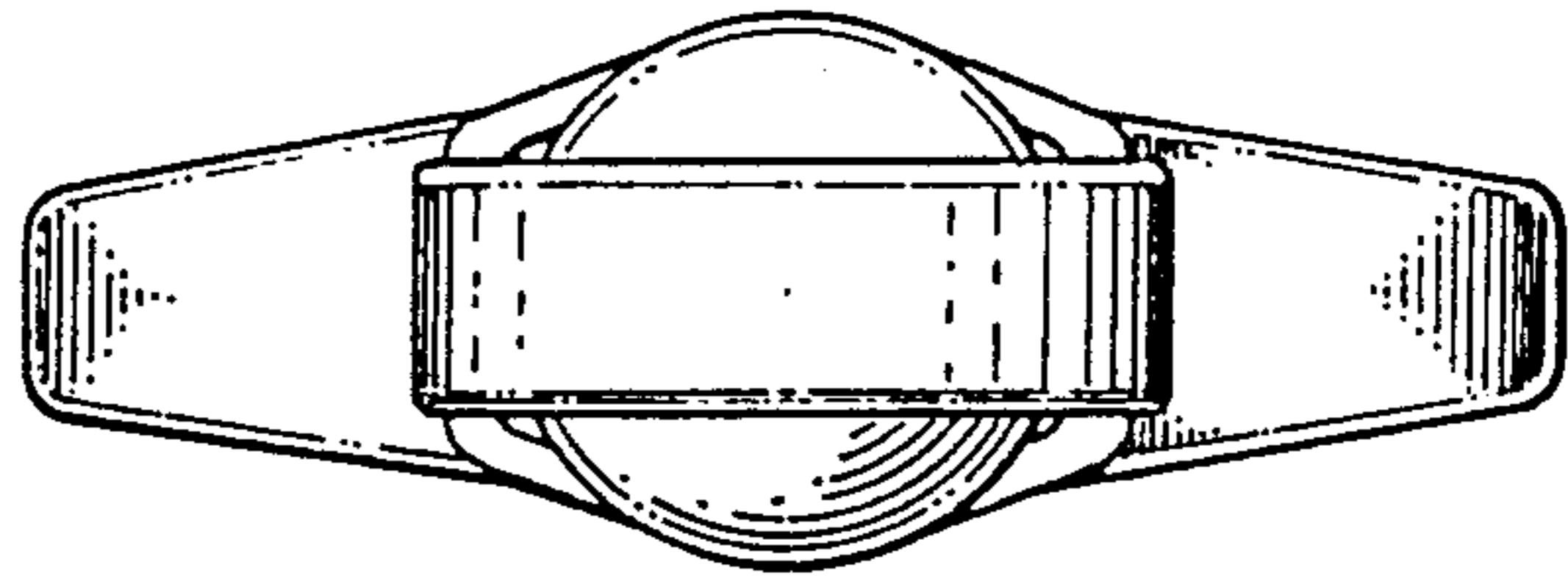


FIG. 6

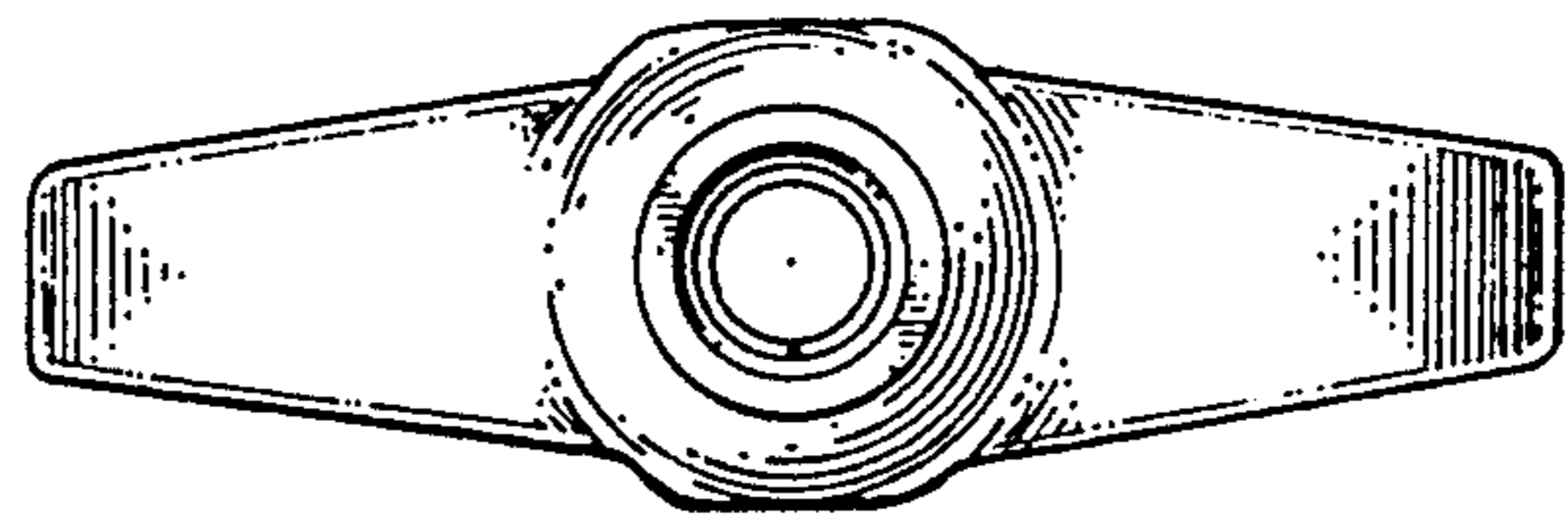


FIG. 7

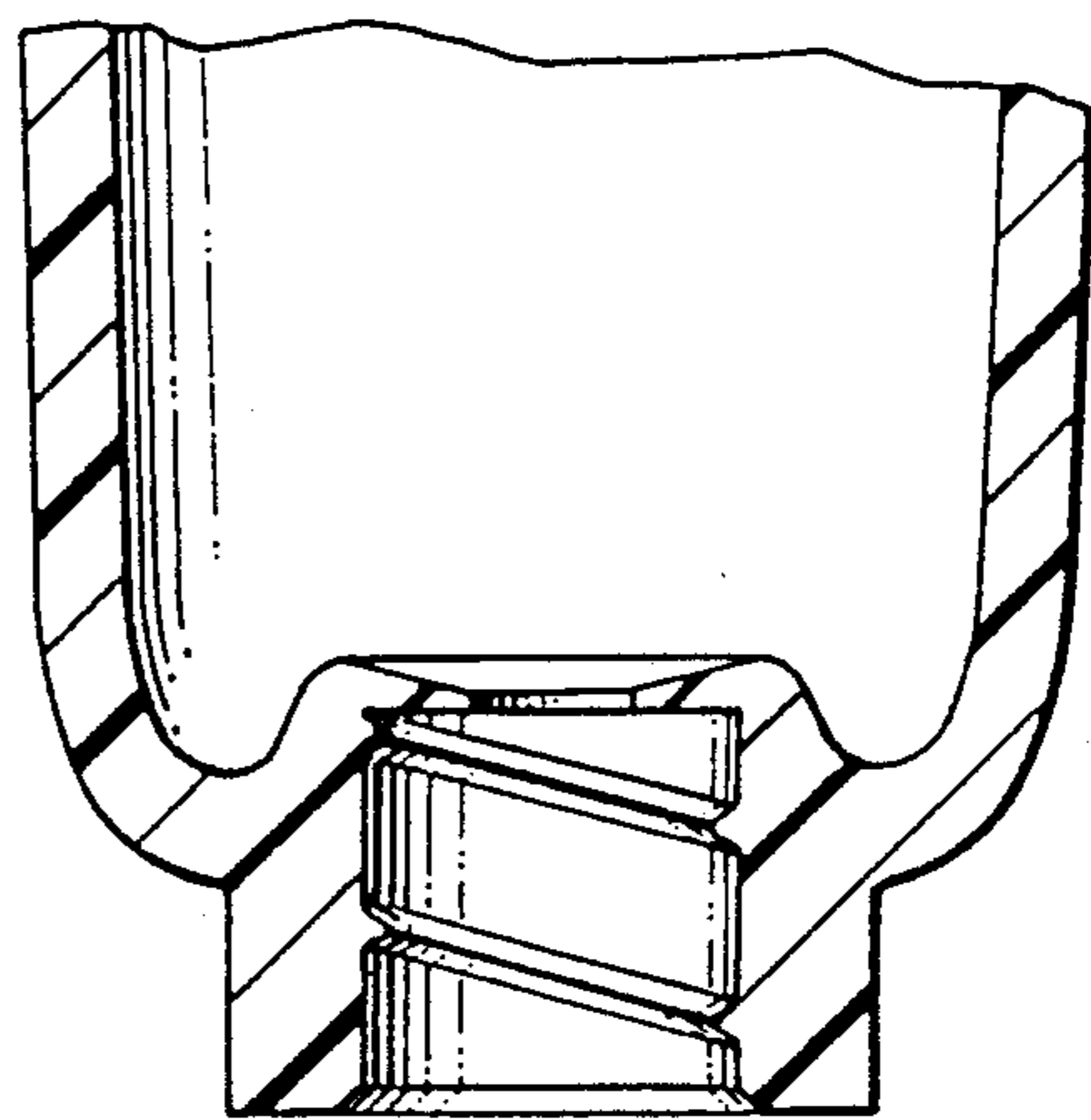


FIG. 8