

[54] AIR CONDITIONING CEILING FAN

[76] Inventor: George Dufour, 821 NW. 57 Pl., Fort Lauderdale, Fla. 33309

[\*\*] Term: 14 Years

[21] Appl. No.: 266,936

[22] Filed: Nov. 3, 1988

[52] U.S. Cl. .... D23/377

[58] Field of Search ..... D23/377, 352, 385; 98/29, 40.2, 94.2, 121.1; 416/5, 170 C; 415/208.2

tising flier, Ceiling Fan C-5-52PO w/Pickle Oak Blades, p. 1.

Nutone Slimline Paddle Fan catalogue, ©1981, p. 3, Tara Light Kit, EGLK-5AB and EGLK-5BR, right middle side of page.

Moss Manufacturing, Inc. Heirloom Collection Ceiling Fan catalogue, HF102 Bright Brass with WAB Blades, p. 2, left middle side of page.

Primary Examiner—James M. Gandy  
Assistant Examiner—Lisa Lichtenstein  
Attorney, Agent, or Firm—Malin, Haley, McHale, DiMaggio, and Crosby

[56] References Cited

U.S. PATENT DOCUMENTS

D. 79,761	10/1929	Ringwald	.....	D23/377
D. 90,063	6/1933	Dasher	.....	D23/377
D. 295,555	5/1988	Greenberg	.....	D23/377
1,222,837	4/1917	Winslow et al.	.....	416/5
2,044,832	6/1936	Child	.....	98/29
2,056,041	9/1936	Erbach	.....	D23/385
4,064,427	12/1977	Hansen et al.	.....	D23/377
4,711,161	12/1987	Swin, Sr. et al.	.....	D23/385

OTHER PUBLICATIONS

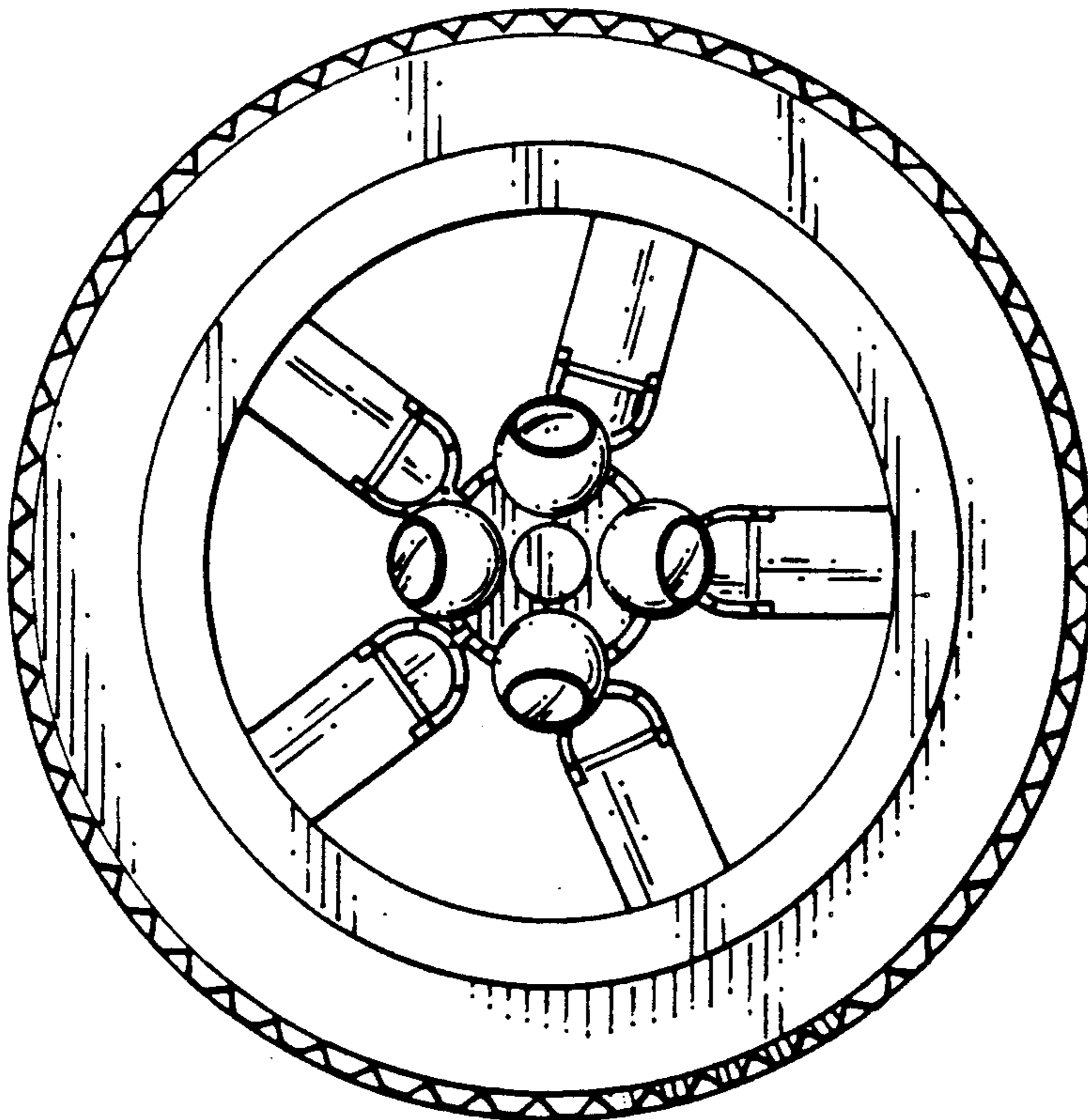
Craftmade International, Inc., Pickle Oak Series adver-

[57] CLAIM

The ornamental design for an air conditioning ceiling fan, as shown and described.

DESCRIPTION

FIG. 1 is a bottom plan view of an air conditioning ceiling fan, showing my new design;  
FIG. 2 is a right side elevation view thereof the opposite side being a mirror image of that shown;  
FIG. 3 is a top plan view thereof.



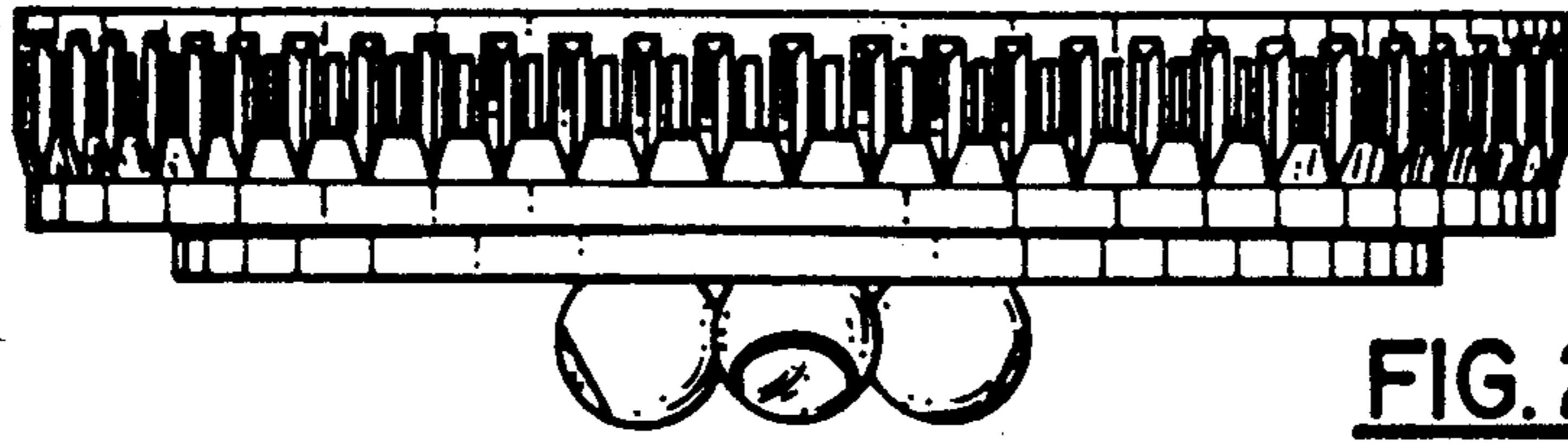


FIG. 2

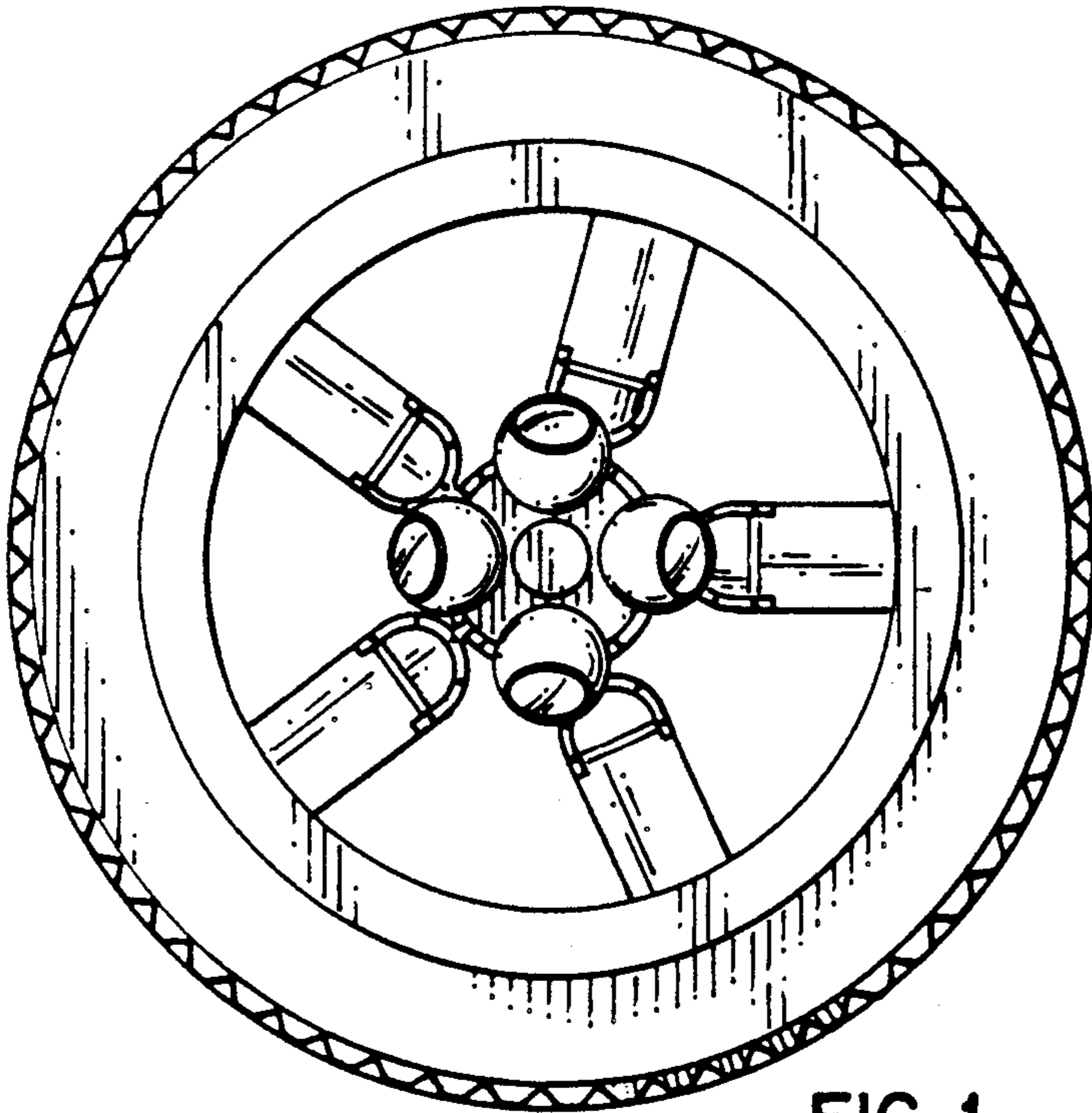


FIG. 1

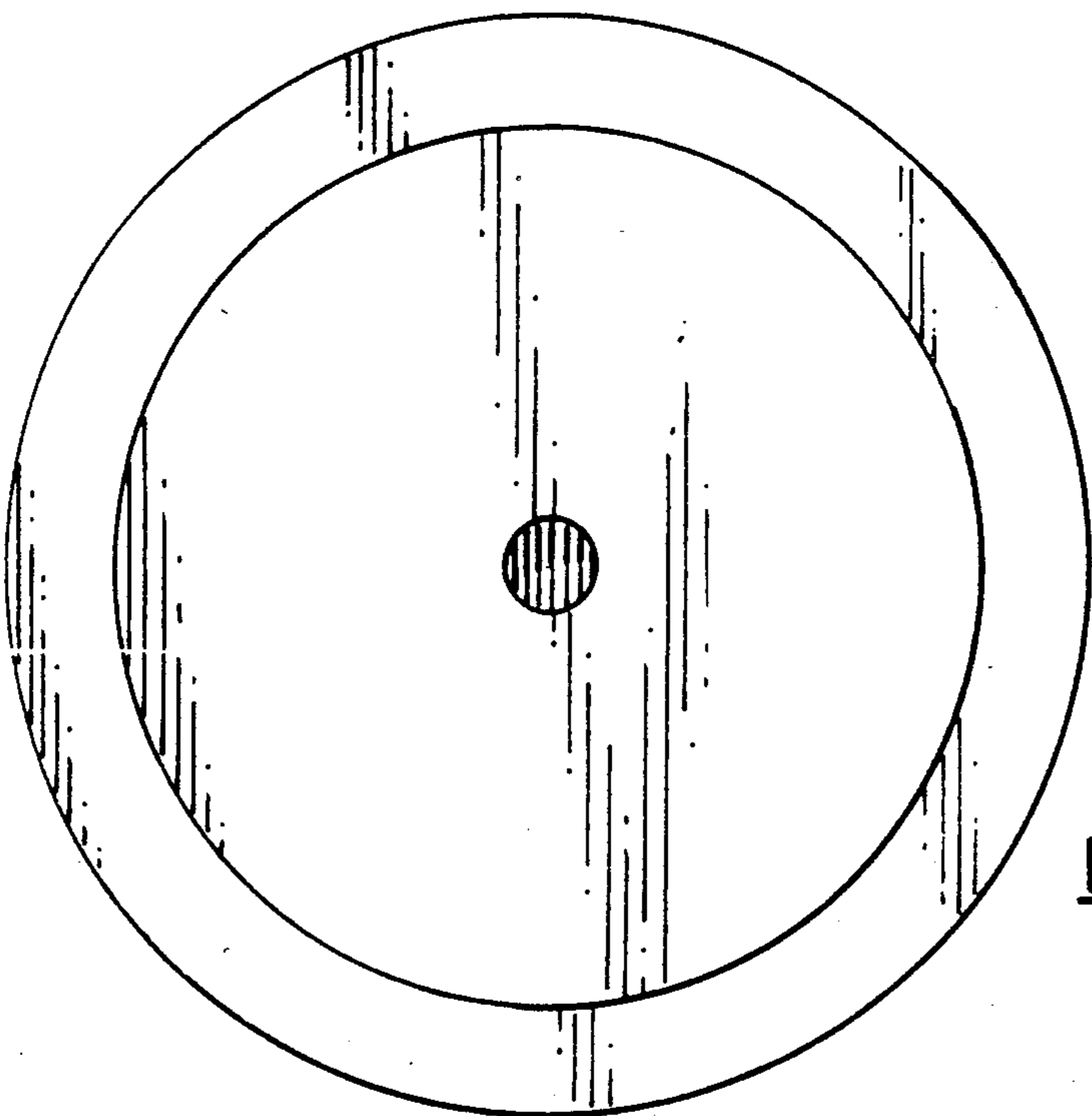


FIG. 3