

United States Patent [19]

Lenahan

[11] Patent Number: **Des. 315,402**

[45] Date of Patent: **** Mar. 12, 1991**

[54] SINK

[76] Inventor: **Scott G. Lenahan**, 20140 Delight St., Canyon Country, Calif. 91351

[**] Term: **14 Years**

[21] Appl. No.: **13,713**

[22] Filed: **Feb. 12, 1987**

[52] U.S. Cl. **D23/294**

[58] Field of Search **D23/284-294, D23/308; 4/619, 628, 630, 631, 638, 645, 646, 651, 654, 658, 660**

[56] **References Cited**

U.S. PATENT DOCUMENTS

- D. 191,432 10/1961 Chapman D23/294
- D. 258,079 1/1981 Primault D23/292

- D. 264,749 6/1982 Bengtson D23/292
- D. 267,336 12/1982 Fortuno D23/294
- D. 273,980 5/1984 Kaiser D23/292
- D. 274,164 6/1984 Enthoven D23/292
- D. 283,155 3/1986 Ronvik D23/292

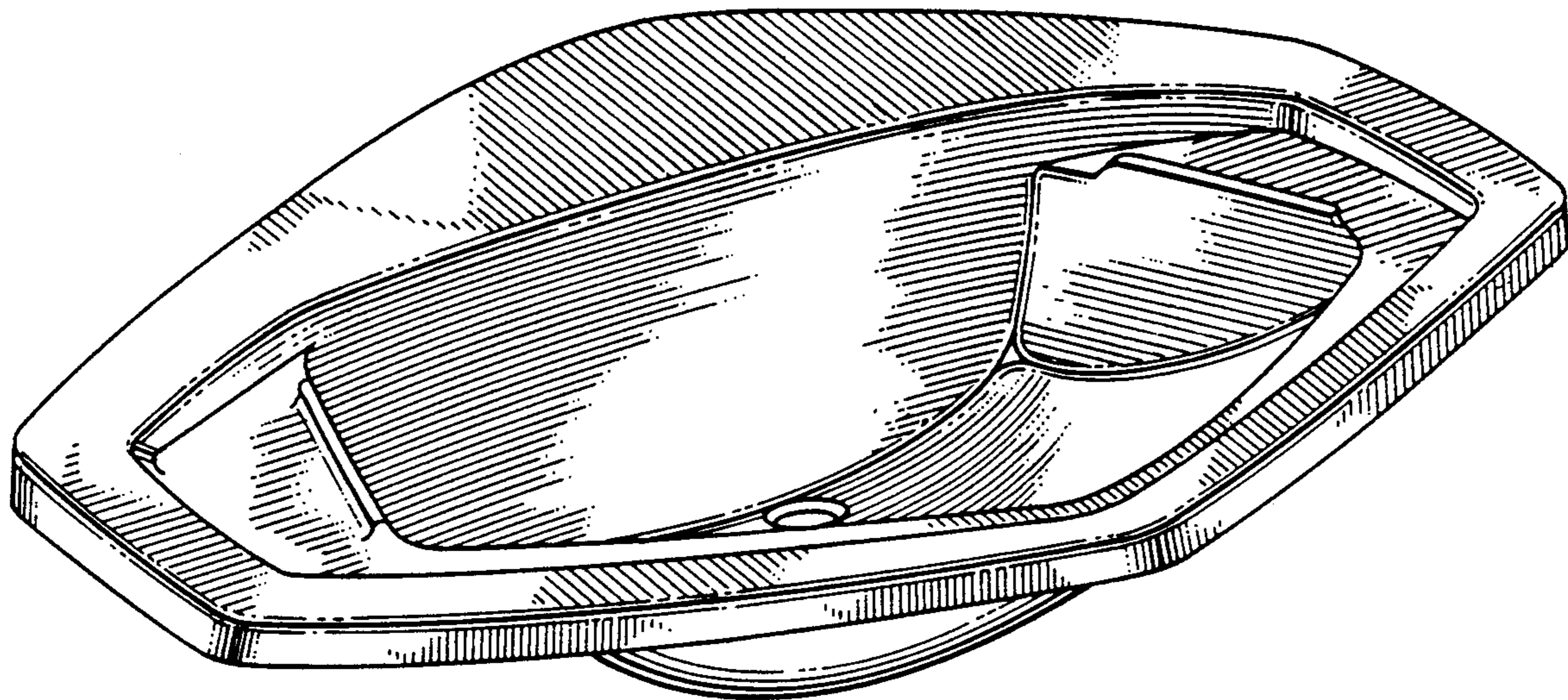
Primary Examiner—James R. Largen

[57] **CLAIM**

The ornamental design for a sink, as shown and described.

DESCRIPTION

FIG. 1 is a perspective view of a sink, showing my design;
FIG. 2 is a front elevational view thereof;
FIG. 3 is a left side elevational view thereof;
FIG. 4 is a top plan view thereof;
FIG. 5 is a rear elevational view thereof; and
FIG. 6 is a right side elevational view thereof.



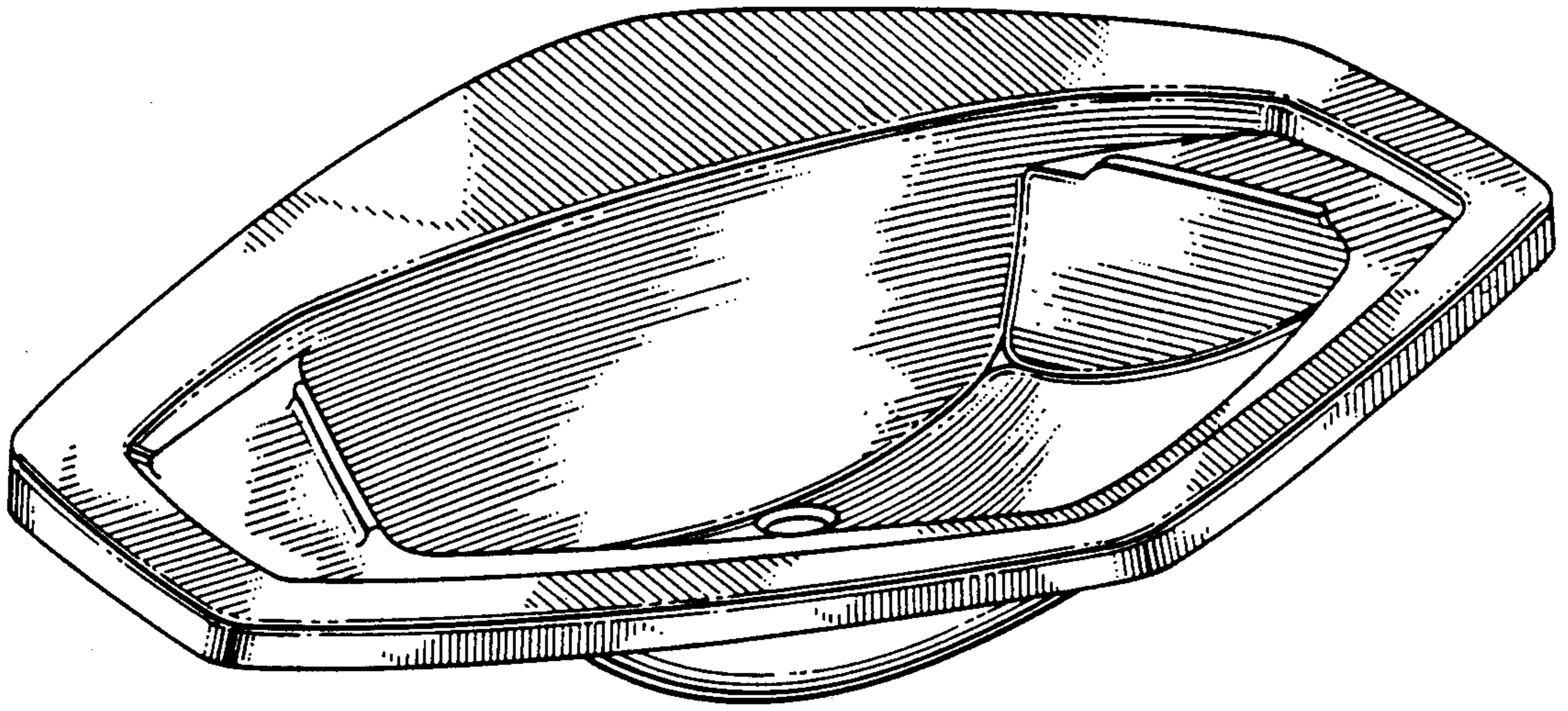


FIG. 1

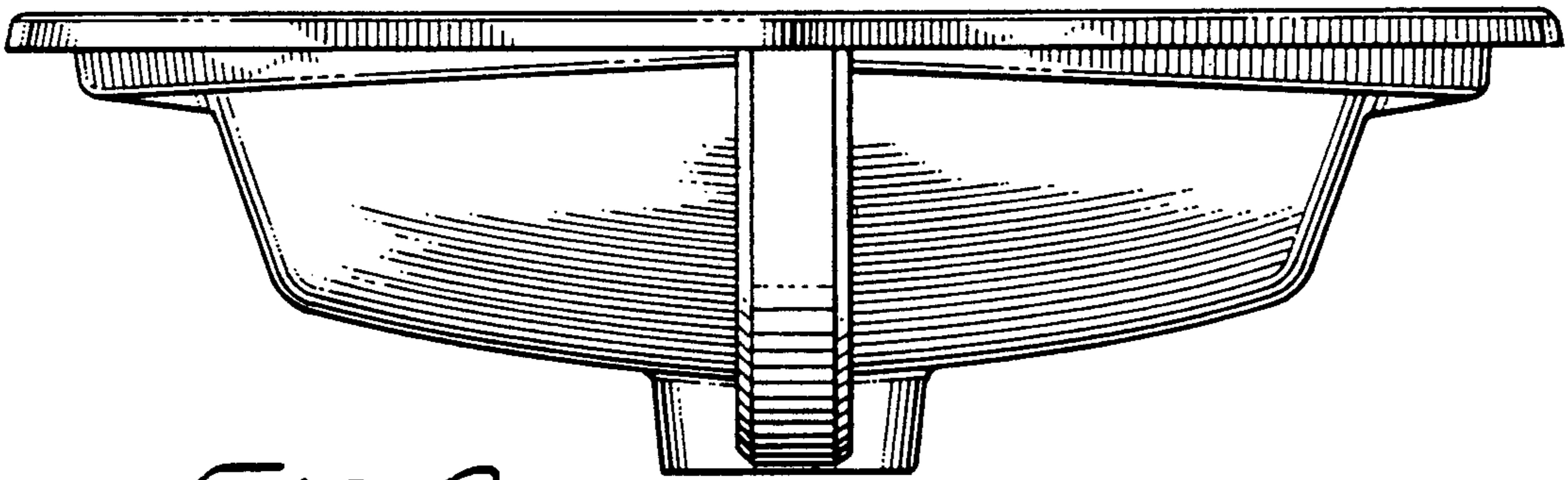


FIG. 2

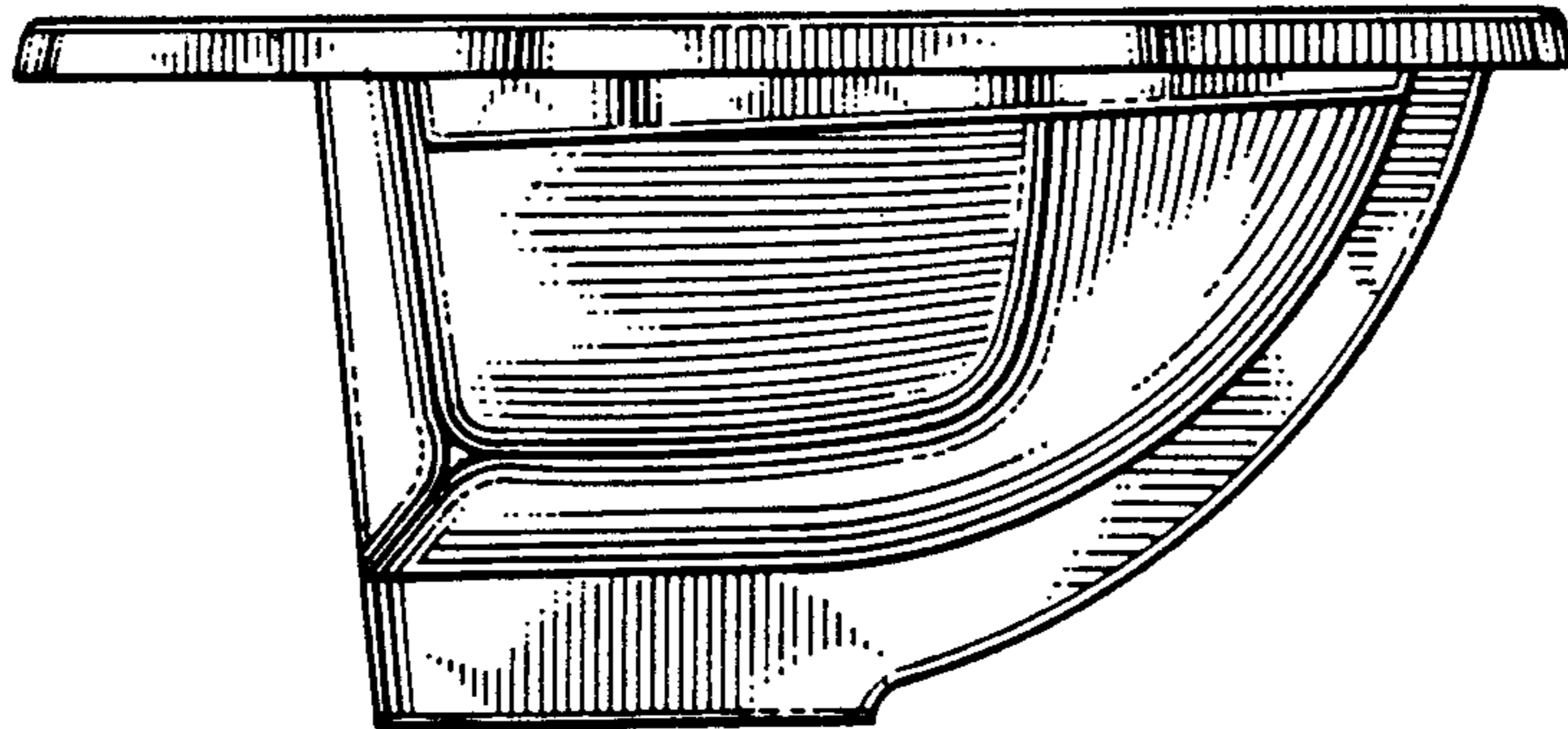


FIG. 3

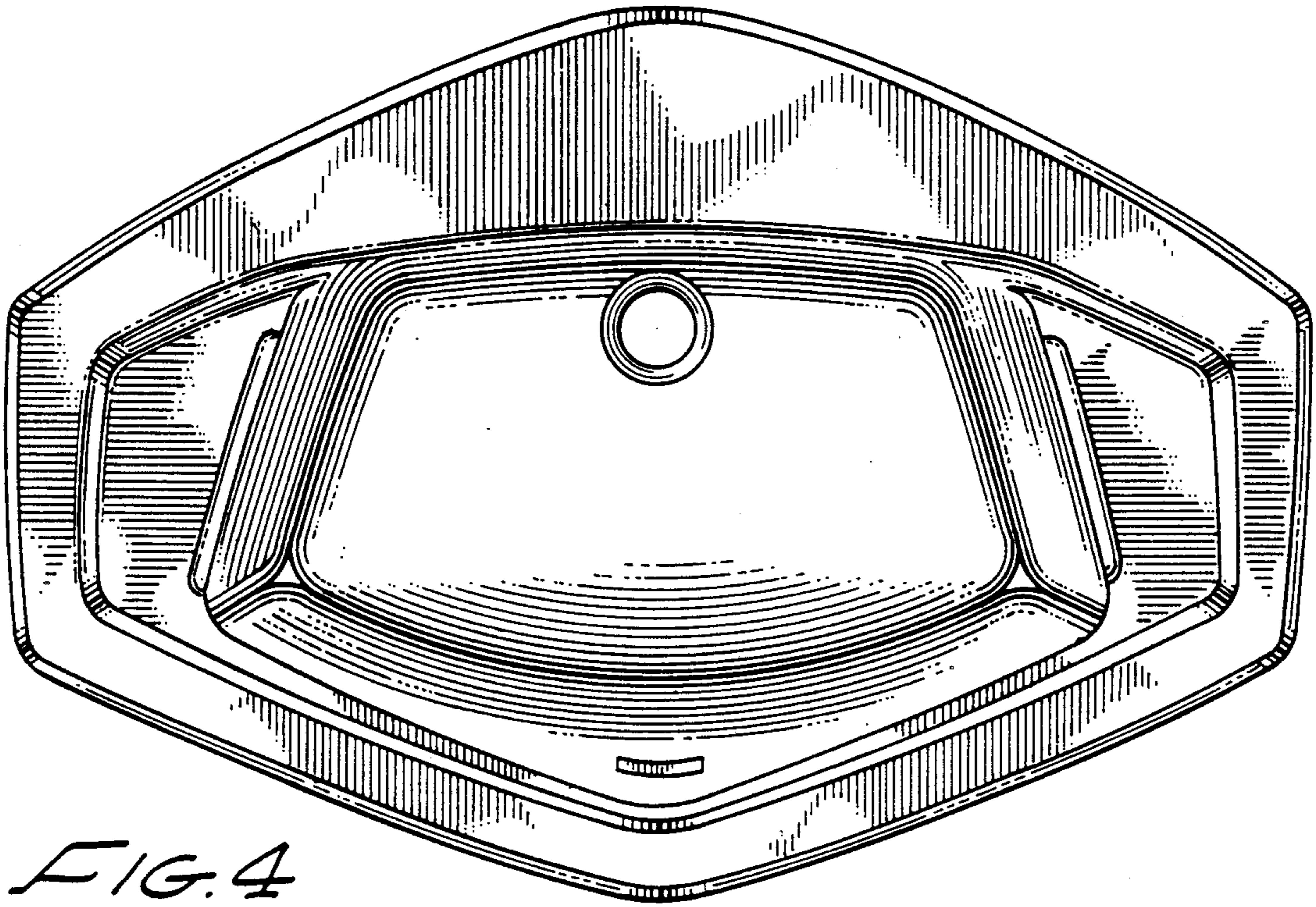


FIG. 4

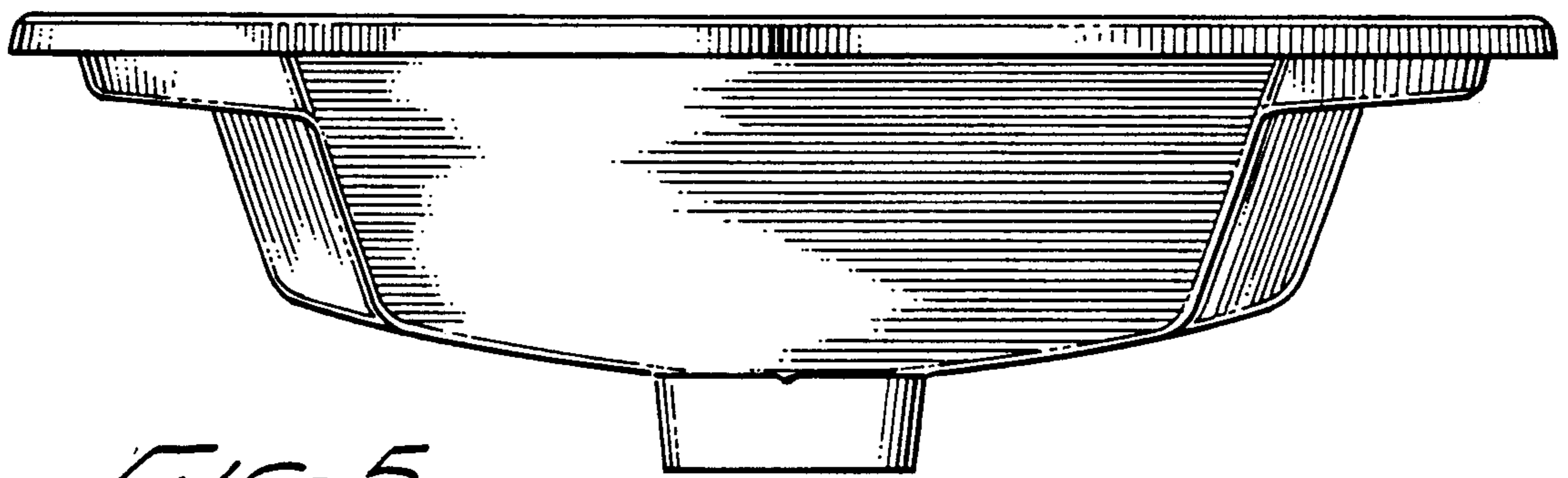


FIG. 5

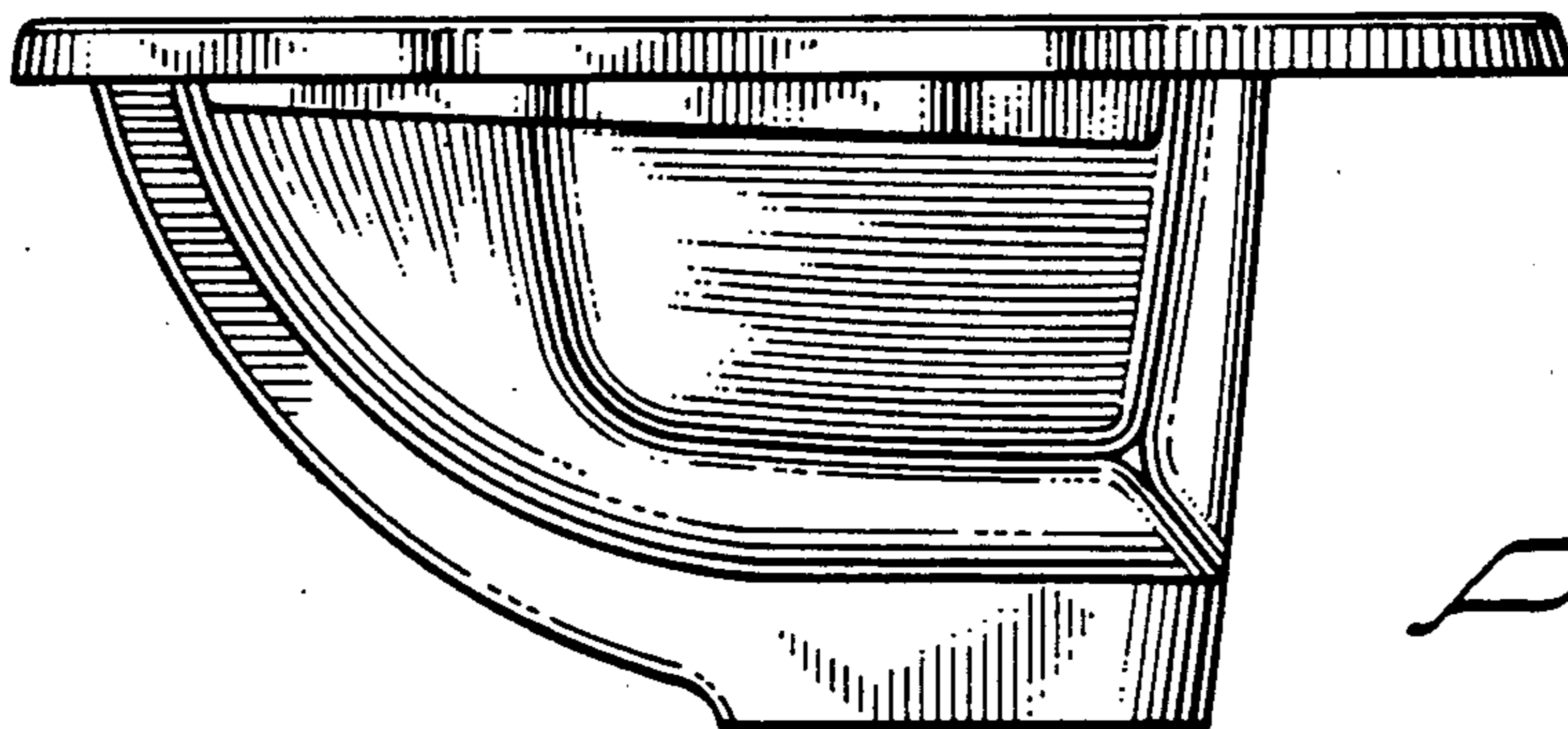


FIG. 6