

[54] QUICK-CONNECT COUPLING FOR A BULKHEAD

[75] Inventor: Richard J. Medvick, Shaker Heights, Ohio

[73] Assignee: Swagelok Quick-Connect Co.

[**] Term: 14 Years

[21] Appl. No.: 153,652

[22] Filed: Feb. 8, 1988

[52] U.S. Cl. D23/262

[58] Field of Search D23/262; 137/614.04, 137/614.02, 614.05, 614.03; 285/88, 87, 86, 317, 316, 315, 332.3, 161, 45, 89, 18, 158, 348; 251/149.8, 149.6

[56] References Cited

U.S. PATENT DOCUMENTS

D. 187,578 3/1960 Moffatt D23/262

D. 229,415	11/1973	Luckenbill et al.	D23/262
D. 229,416	11/1983	Luckenbill et al.	D23/262
D. 270,935	10/1983	Logsdon	D23/262
1,107,289	8/1914	Glauber	285/158
1,109,920	9/1914	Glauber	285/158
3,224,728	10/1965	Buseth et al.	251/149.6
4,114,853	9/1978	Medvick	251/149.6
4,378,028	3/1983	Weber et al.	251/149.6
4,665,943	5/1987	Medvick et al.	137/543.17
4,828,296	5/1989	Medvick	285/158

Primary Examiner—James R. Largen

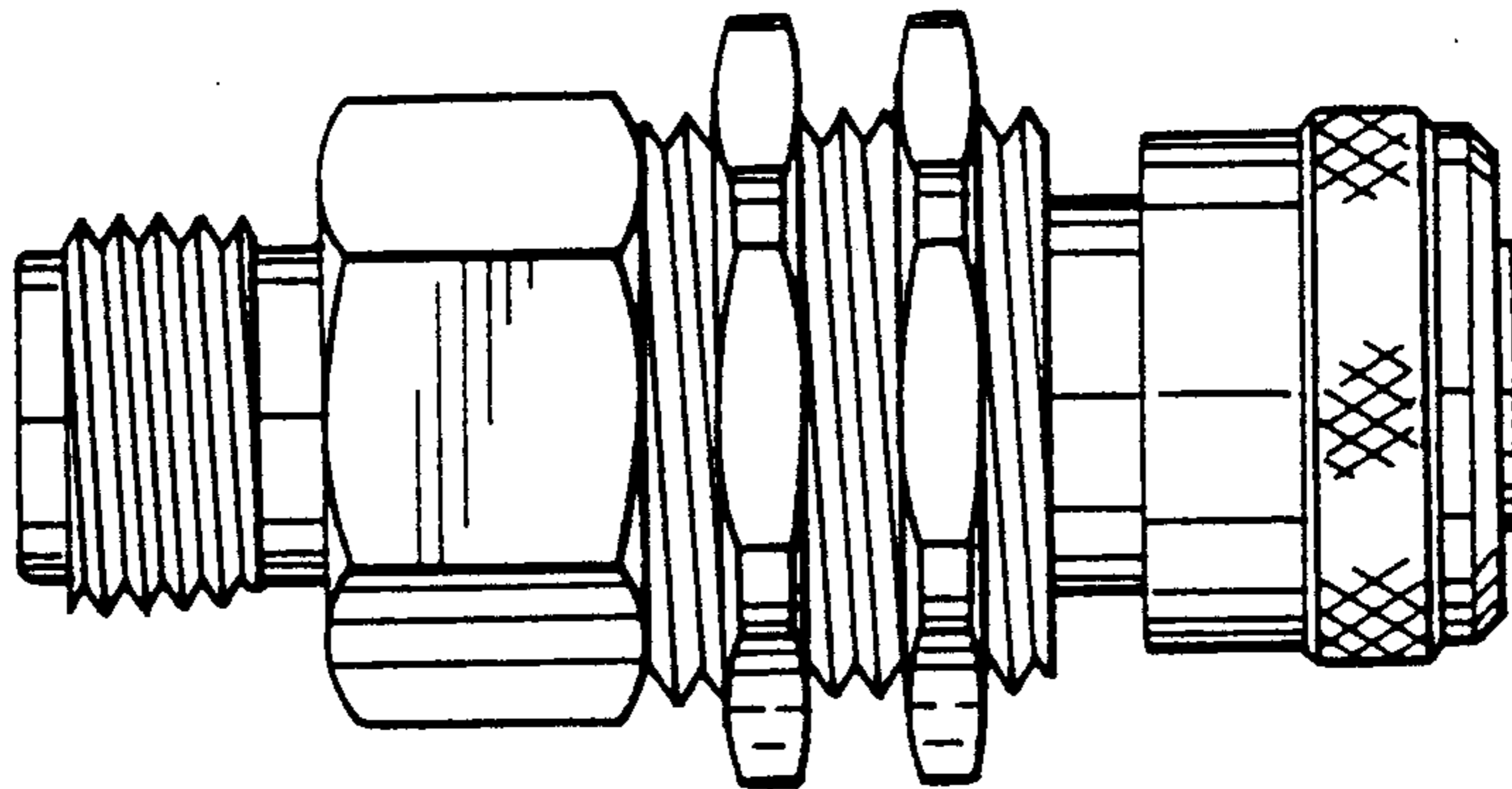
Assistant Examiner—Demetrus Reynolds

[57] CLAIM

The ornamental design for an quick-connect coupling for a bulkhead, as shown.

DESCRIPTION

FIG. 1 is a side elevational view of a quick-connect coupling for a bulkhead showing my new design; FIG. 2 is a top plan view thereof; and FIG. 3 is a bottom plan view thereof.



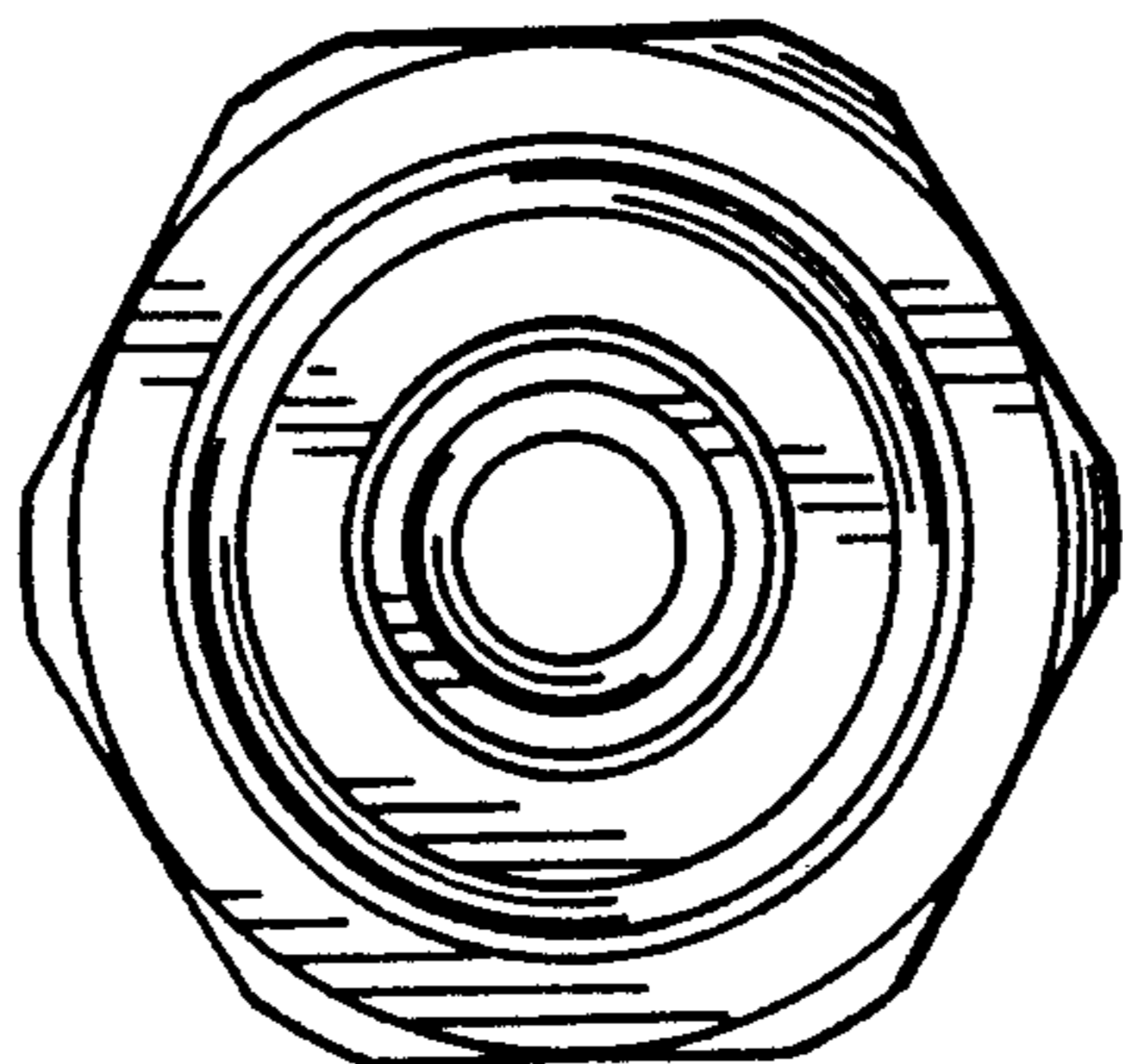


FIG. 2

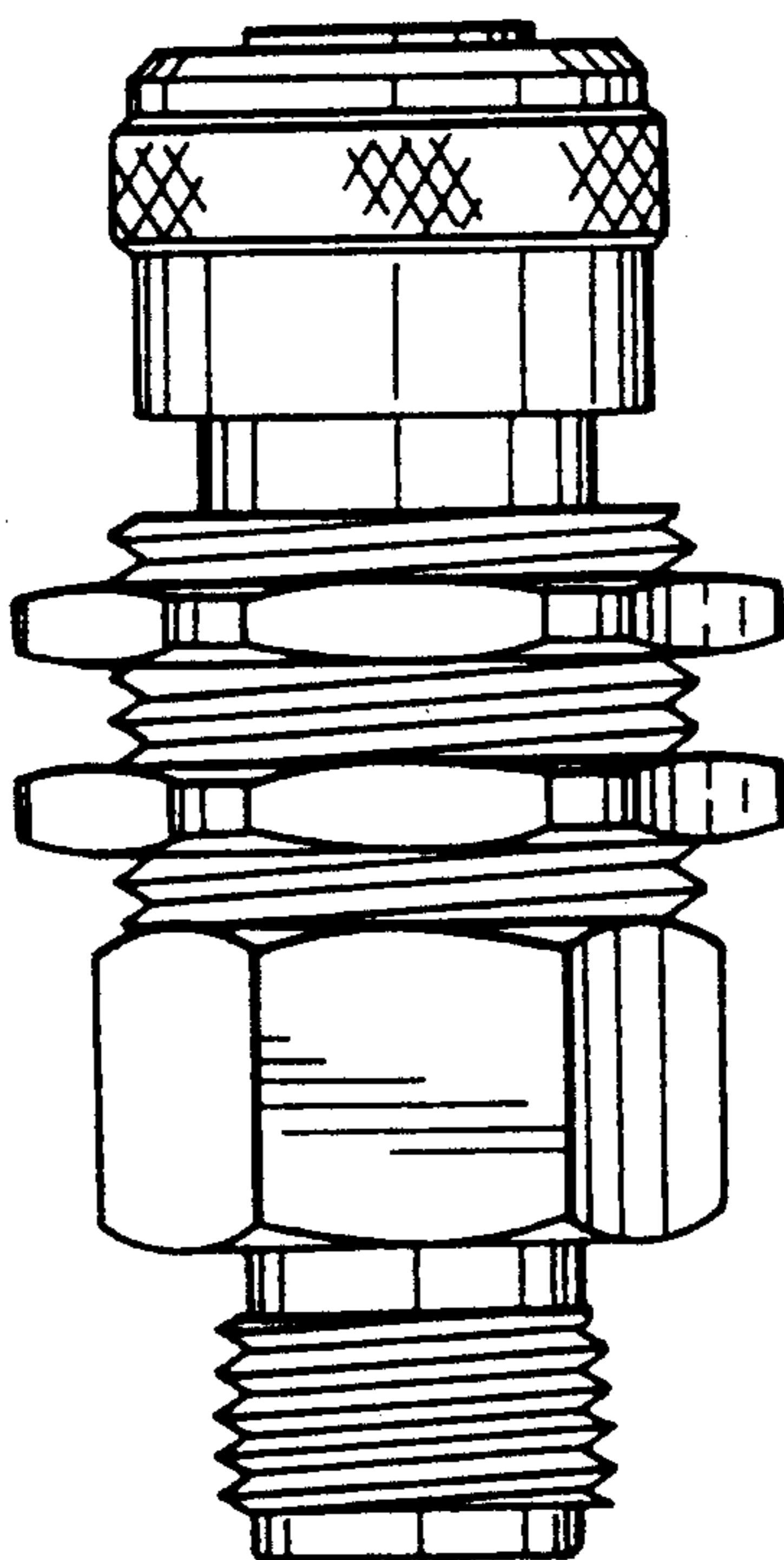


FIG. 1

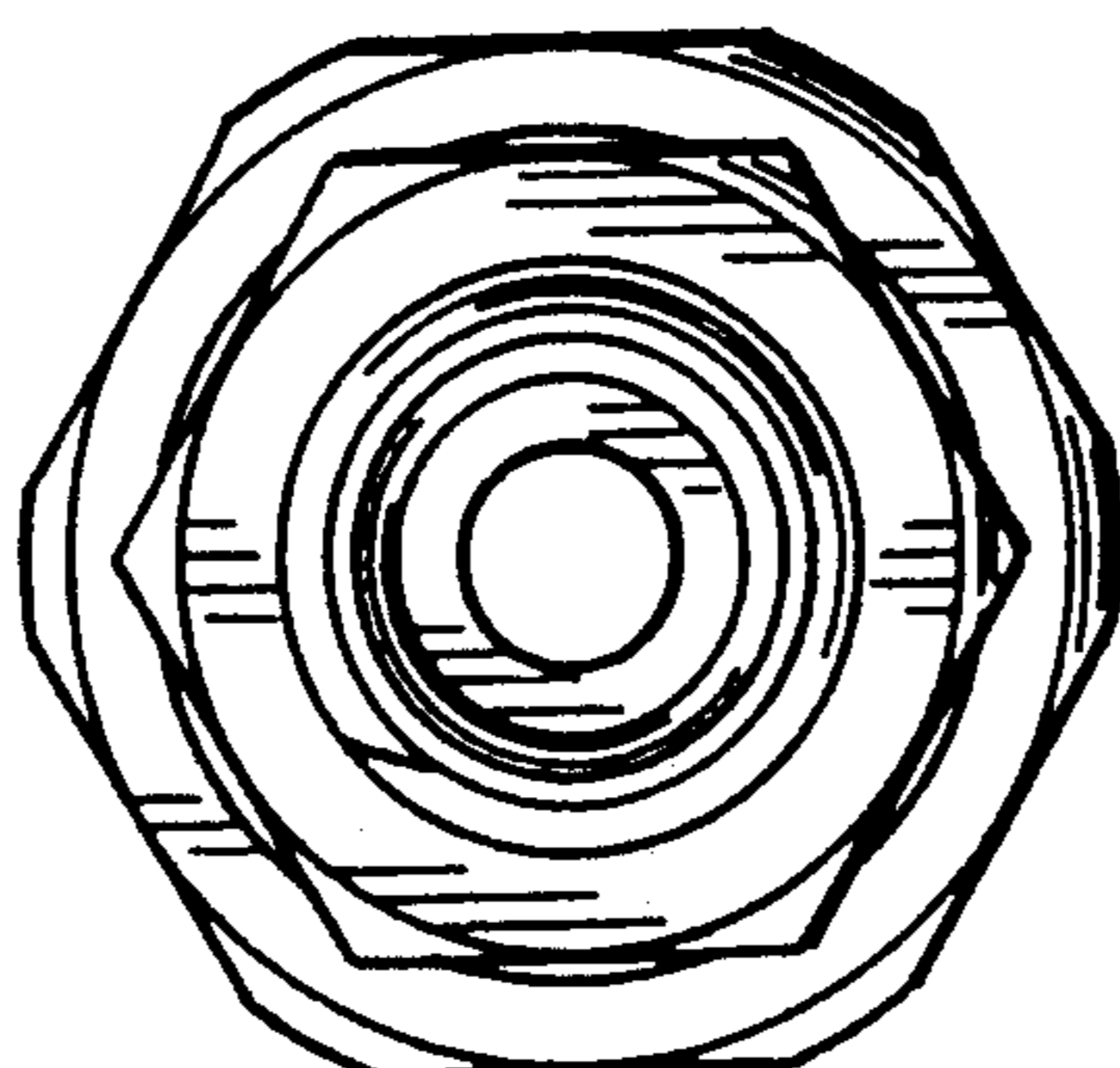


FIG. 3