

[54] TANK SHUT-OFF VALVE

[76] Inventor: Bruce D. Burrows, 25581 Via Paladar, Valencia, Calif. 91355

[**] Term: 14 Years

[21] Appl. No.: 312,582

[22] Filed: Feb. 21, 1989

[52] U.S. Cl. D23/248

[58] Field of Search 137/382, 317, 382.5; 220/85 P, 85 V; D23/233-260

[56] References Cited

U.S. PATENT DOCUMENTS

D. 118,051	12/1939	Merrill	D23/245
D. 134,606	12/1942	Hiller	D23/248
D. 271,421	11/1983	Fetterman	D23/233
2,421,460	6/1947	Merker et al.	220/85 P
3,696,964	10/1972	Deakin	137/377
4,380,247	4/1983	Douglas	220/85 P

Primary Examiner—James R. Largen

Assistant Examiner—Demetrius Reynolds
Attorney, Agent, or Firm—Kelly Bauersfeld & Lowry

[57] CLAIM

The ornamental design for a tank shut-off valve, as shown and described.

DESCRIPTION

FIG. 1 is a perspective view taken from the top, front and left side of a tank shut-off valve showing my new design;

FIG. 2 is a top plan view thereof;

FIG. 3 is a right side elevational view thereof;

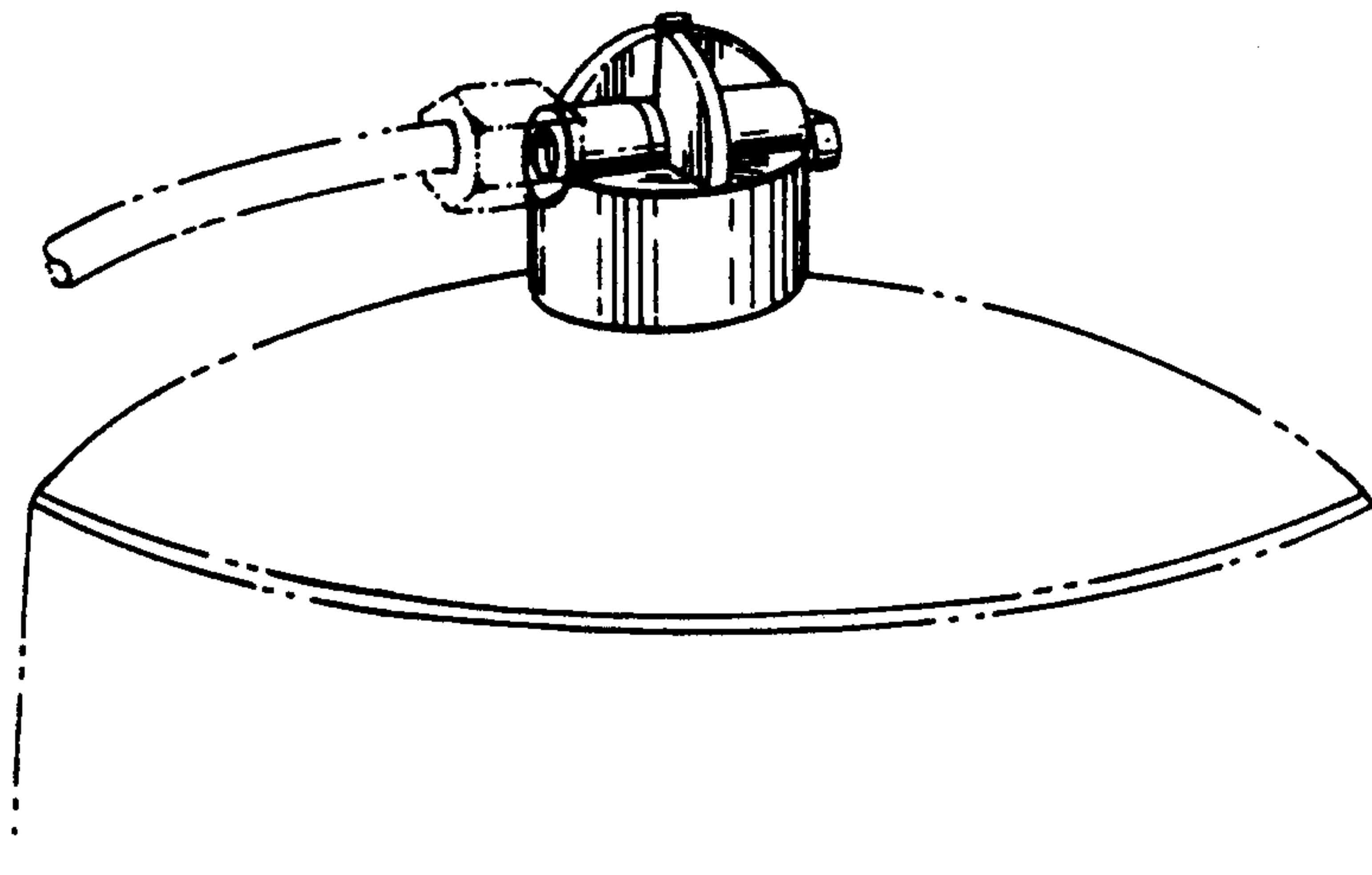
FIG. 4 is a bottom plan view thereof;

FIG. 5 is a left side elevational view thereof;

FIG. 6 is a rear elevational view thereof, the front being a mirror image of the rear as shown; and

FIG. 7 is an enlarged perspective view taken from the top, front and left side of a second embodiment thereof.

The fragmentary broken line showing of a connecting pipe and taken FIG. 1 is for purposes of illustration only and forms no part of the claimed design.



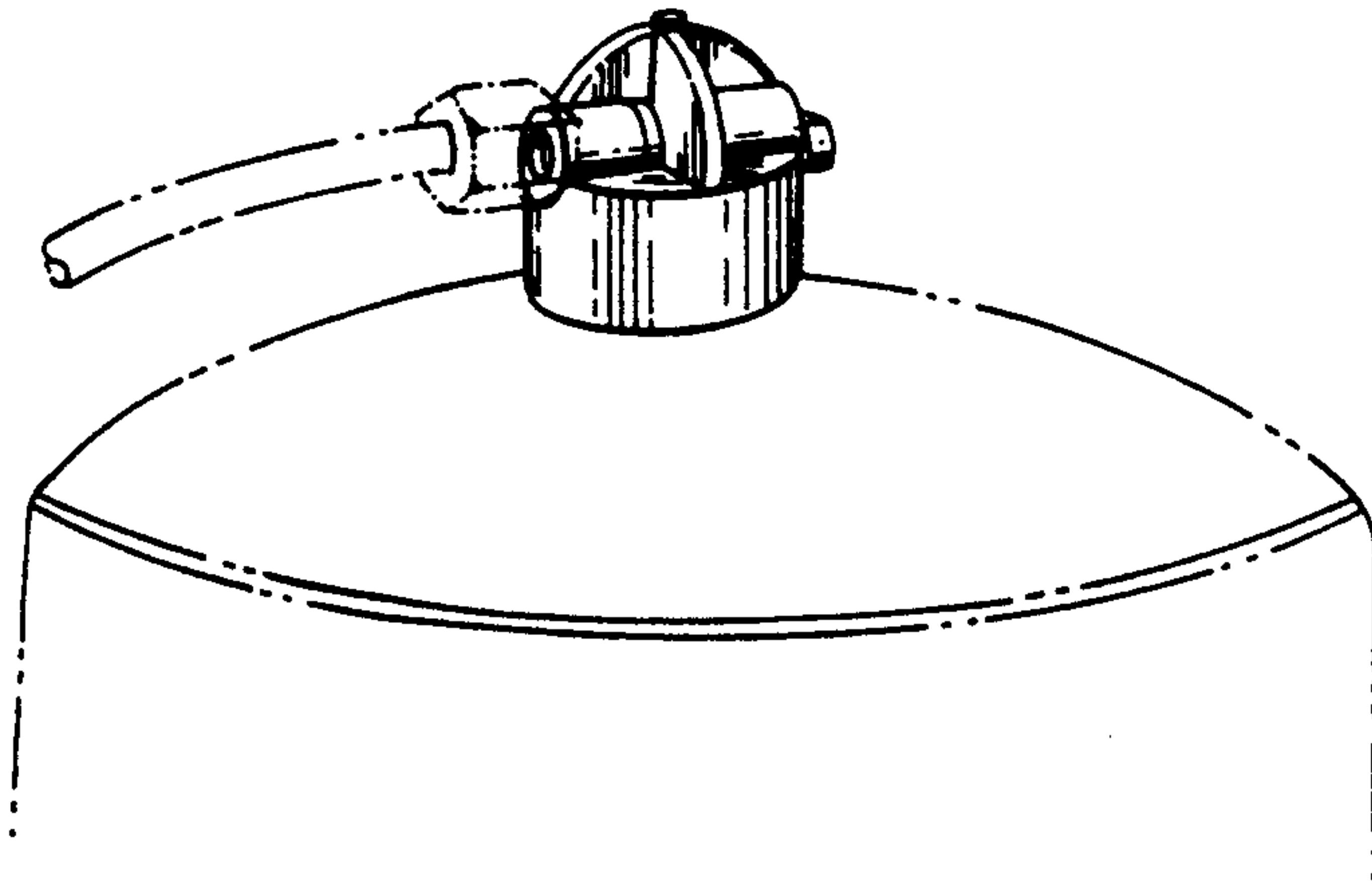


FIG. 1

FIG. 2

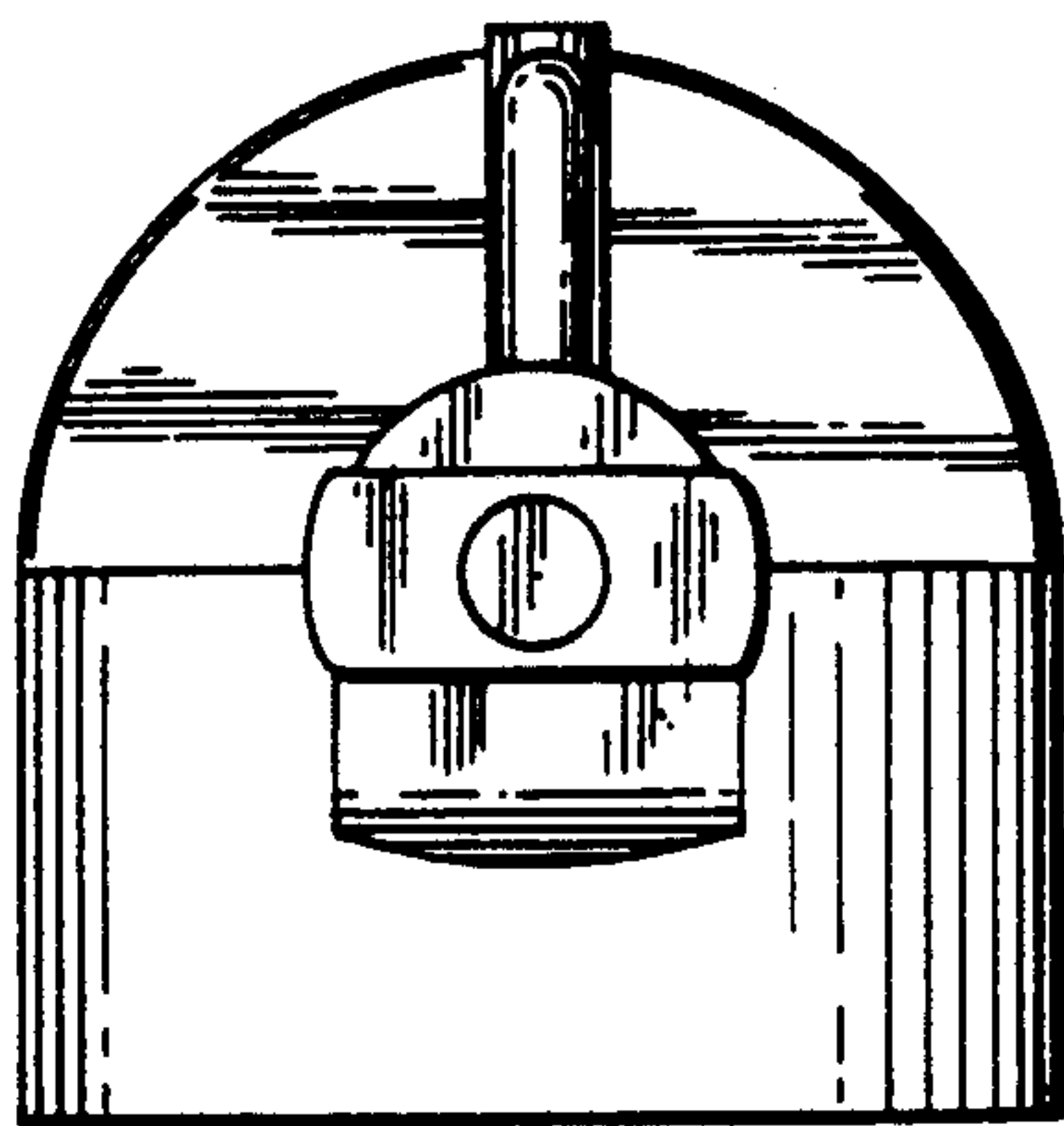
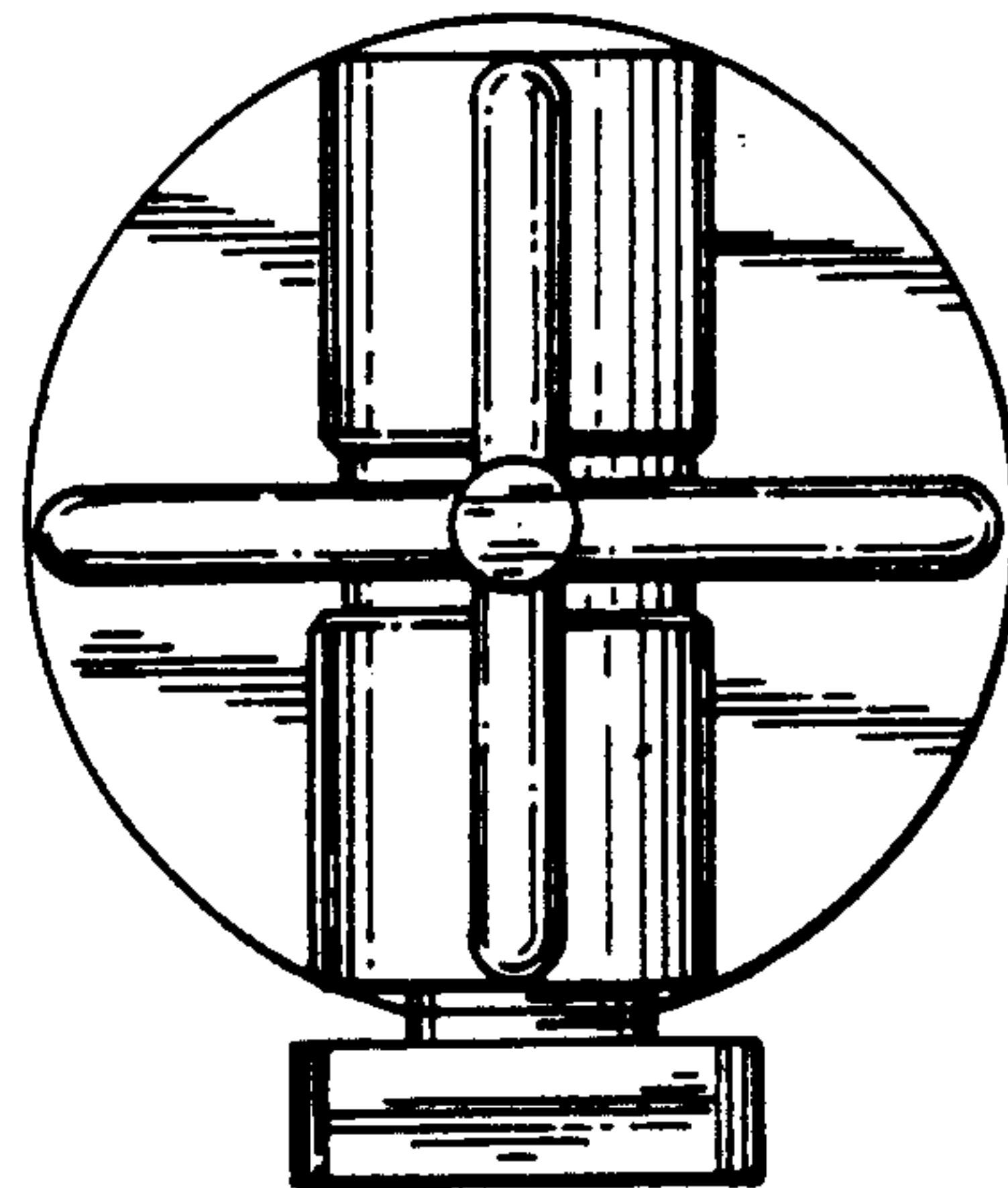
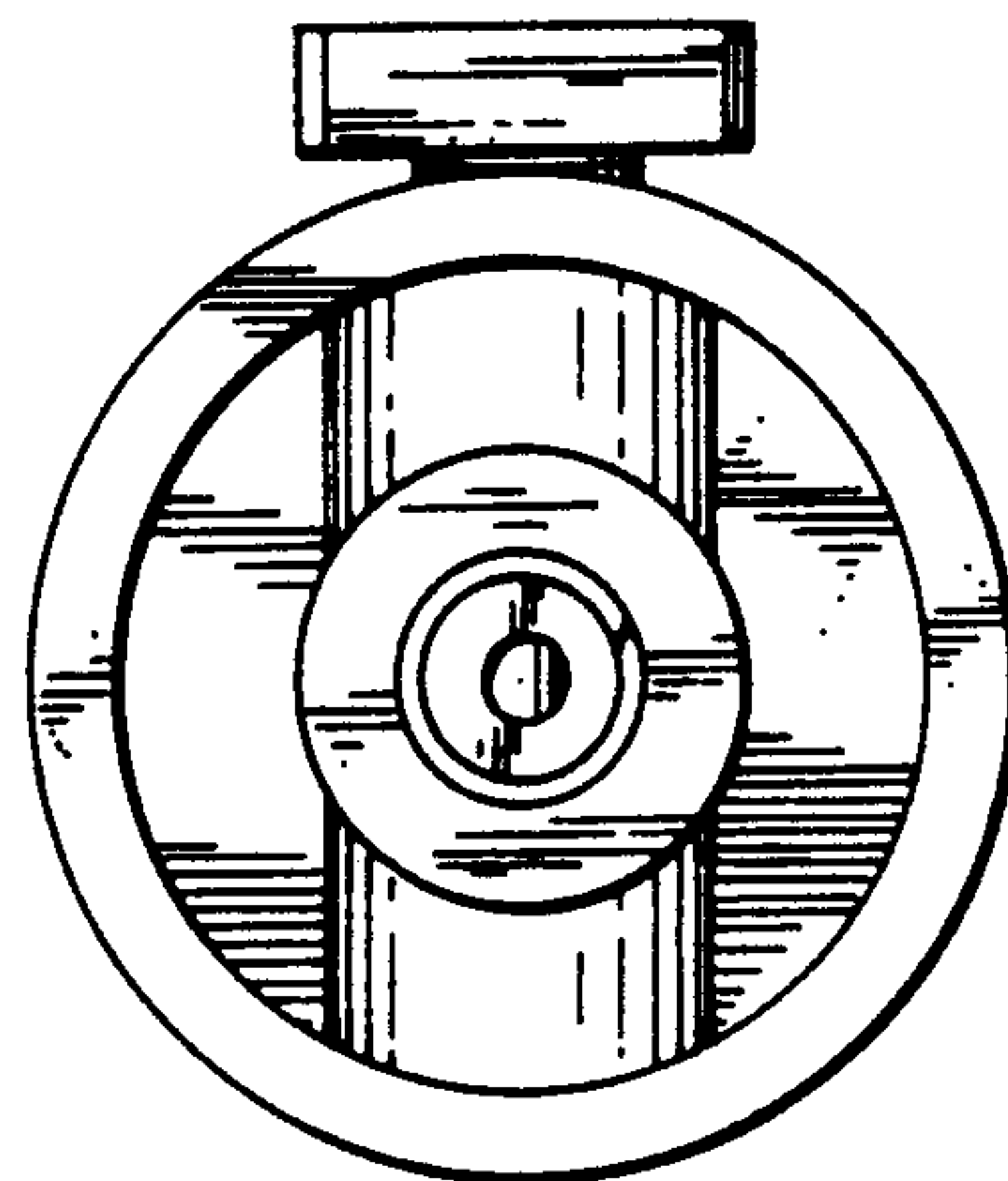


FIG. 3

FIG. 4



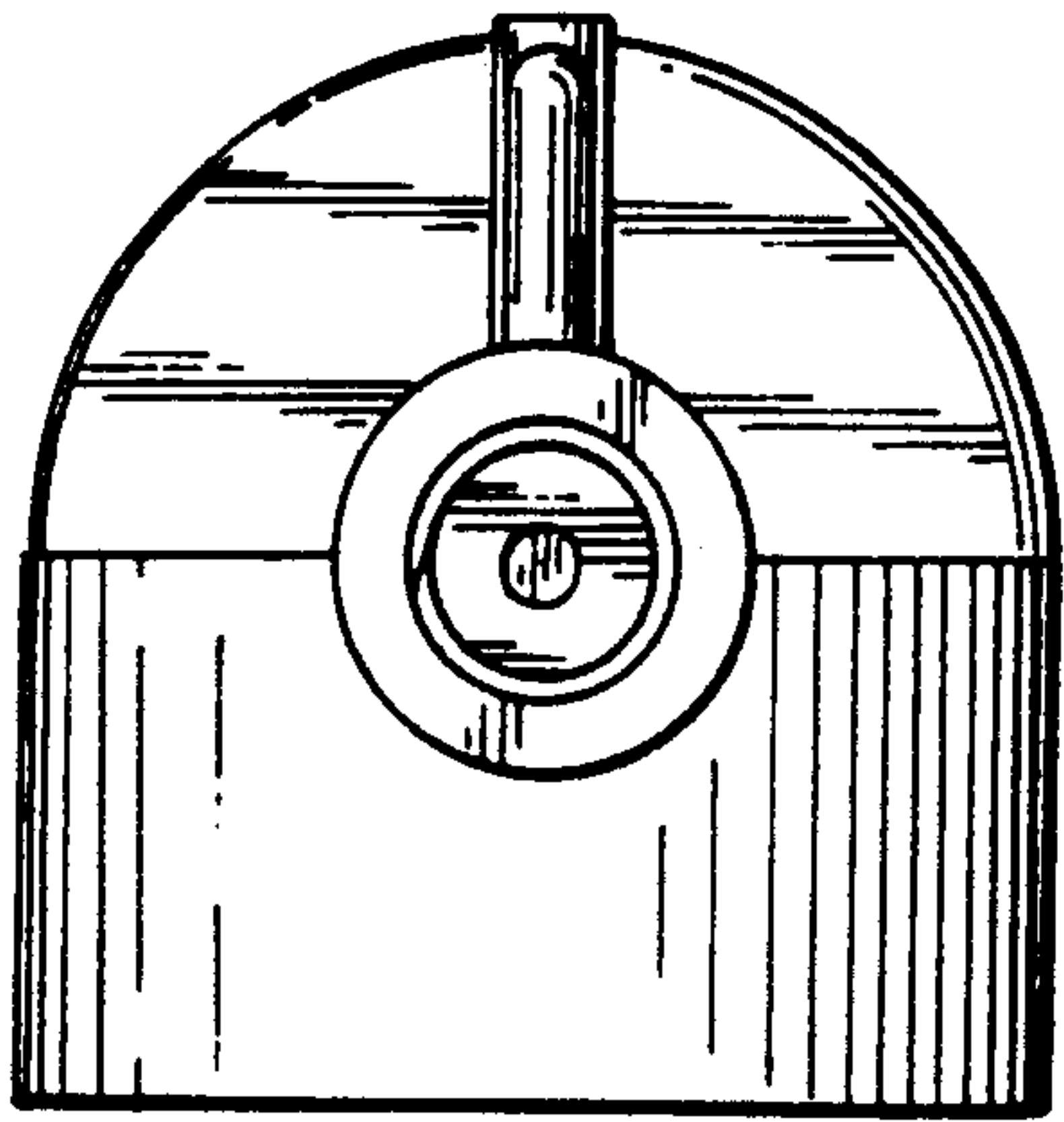


FIG. 5

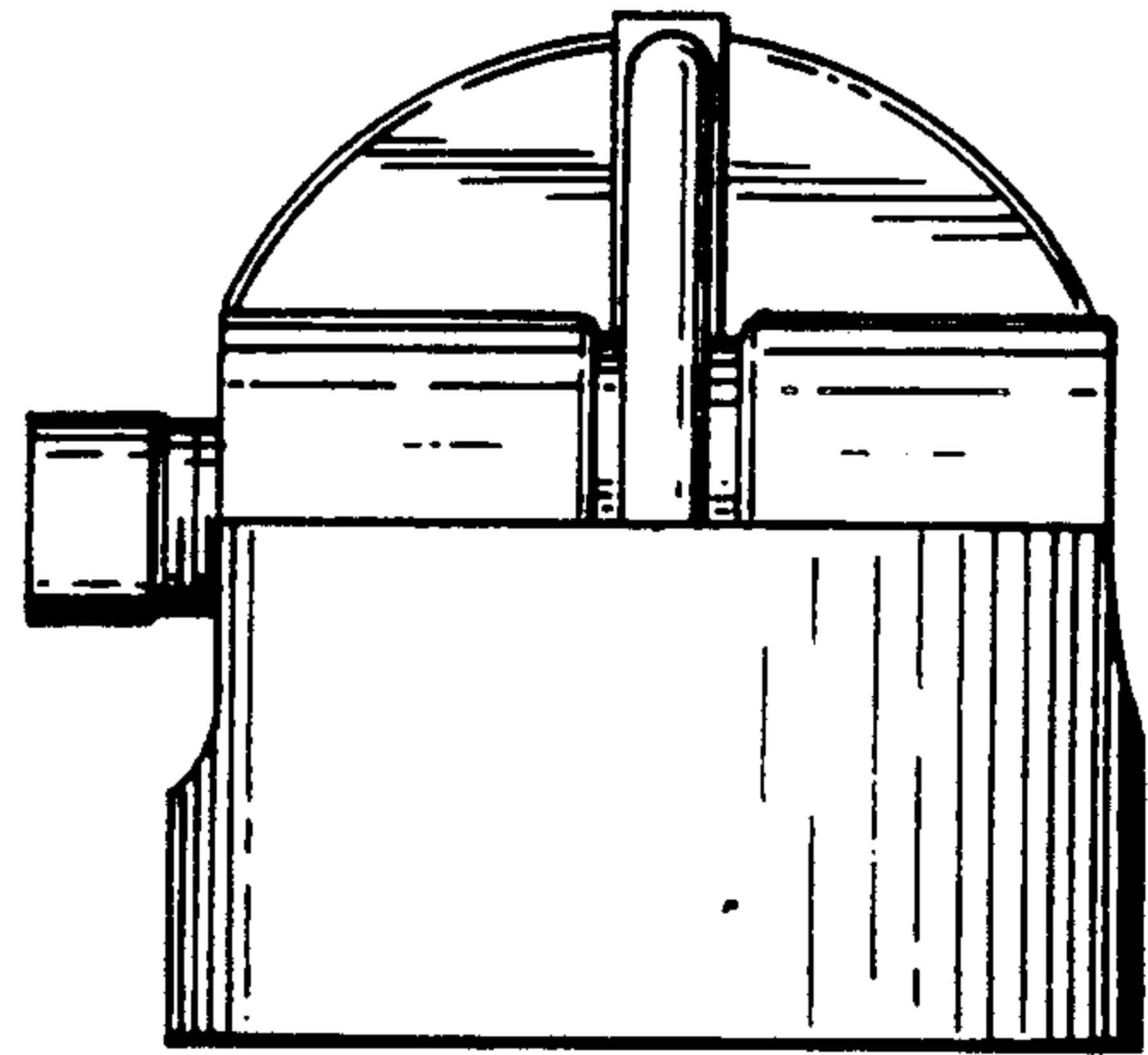


FIG. 6

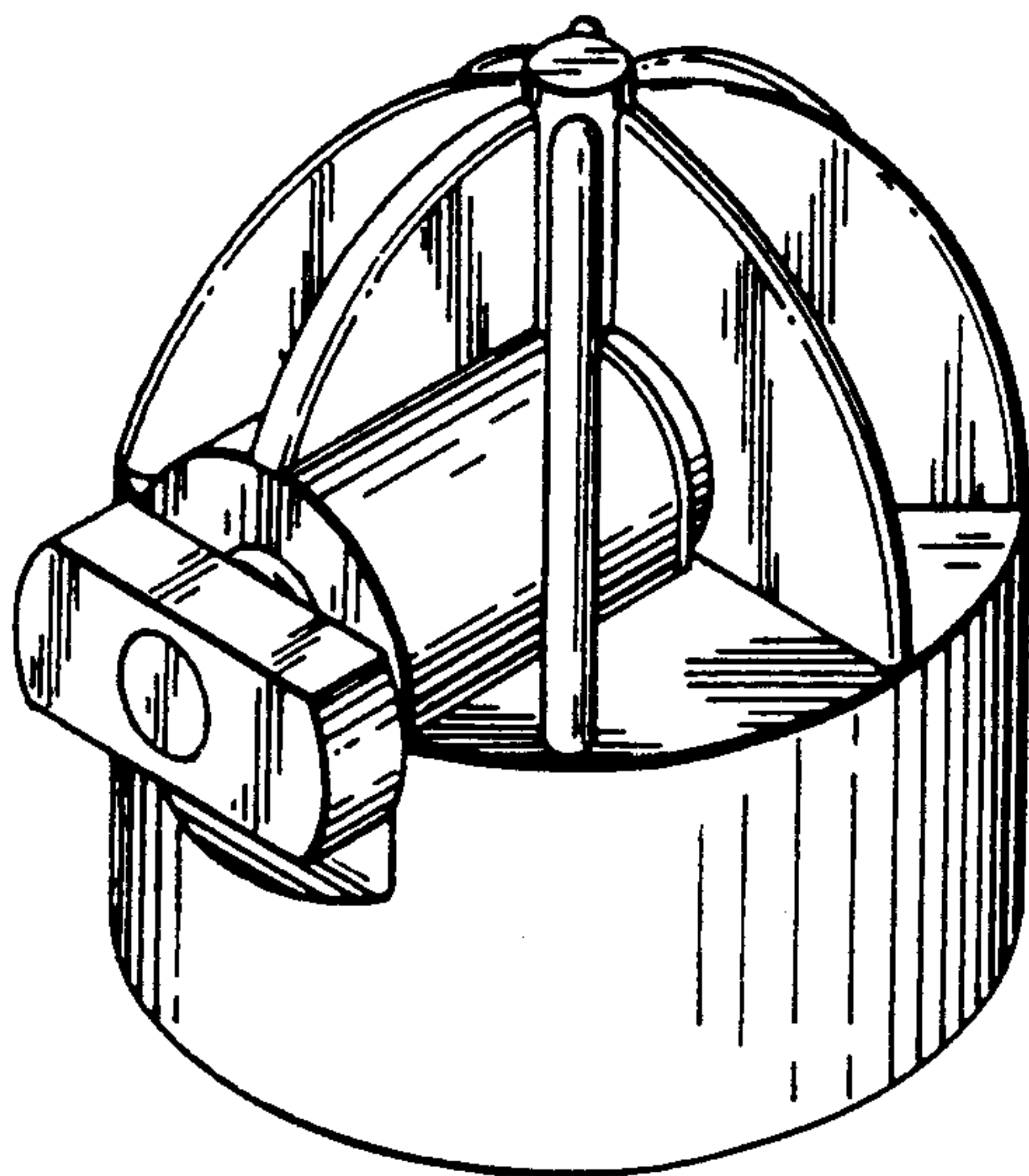


FIG. 7