

[54] **SPRINKLER**

[75] **Inventor: Franco Clivio, Zürich, Switzerland**

[73] **Assignee: Gardena Kress + Kastner GmbH, Fed. Rep. of Germany**

[**] **Term: 14 Years**

[21] **Appl. No.: 347,321**

[22] **Filed: May 3, 1989**

[30] **Foreign Application Priority Data**

Nov. 19, 1988 [DE] Fed. Rep. of Germany M8803391.0

[52] **U.S. Cl. D23/216**

[58] **Field of Search D23/200, 211, 213-221; 239/200-207, 211, 242-243, 273, 275-276, 279-280, 390-394, 443-444, 456, 556-558, 246-248, DIG. 1**

[56] **References Cited**

U.S. PATENT DOCUMENTS

D. 221,336	8/1971	Raffler et al.	D23/216
D. 234,765	4/1975	Raffler et al.	D23/216
D. 282,769	2/1986	Lemkin et al.	D23/216
3,220,655	11/1965	Mattson	239/242

OTHER PUBLICATIONS

Nelson 1988 Lawn & Garden Catalog, pp. 4, 5, 10, 11.
Die Intelligente Gartentechnik '89-Gilmour, (2 pages).
Rain Bird Gartenberegnung, p. 2.
Hozelock Garten Produkte für 1989, (4 pages).
Claber (5 pages).
Melnor 1989 Lawn & Garden Catalog, (8 pages).
Gardena has Three Sure Recipes for Rain, Oscillating, Circular and Pulsating Sprinklers, (1 page).
Uniflex 1989 Qualitat und Ideen für den Garten und Die Freizeit (7 pages).

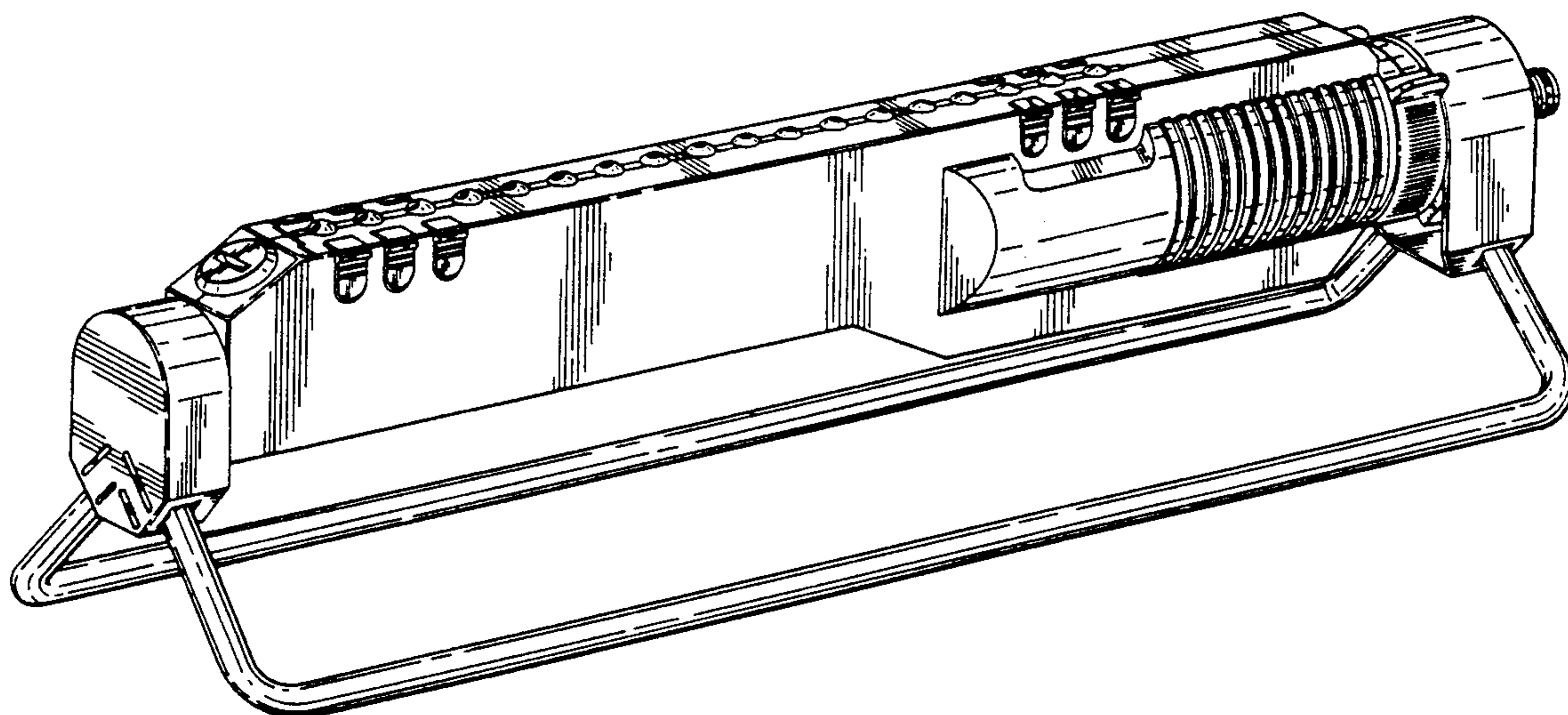
Primary Examiner—Susan J. Lucas
Assistant Examiner—M. H. Tung
Attorney, Agent, or Firm—Eckert Seamans Cherin & Mellott

[57] **CLAIM**

The ornamental design for a sprinkler, as shown and described.

DESCRIPTION

FIG. 1 is a side perspective view of a sprinkler showing my new design;
FIG. 2 is a top plan view thereof;
FIG. 3 is a side elevational view thereof;
FIG. 4 is an opposite side elevational view thereof;
FIG. 5 is a bottom plan view thereof;
FIG. 6 is a rear elevational view thereof;
FIG. 7 is a front elevational view thereof.



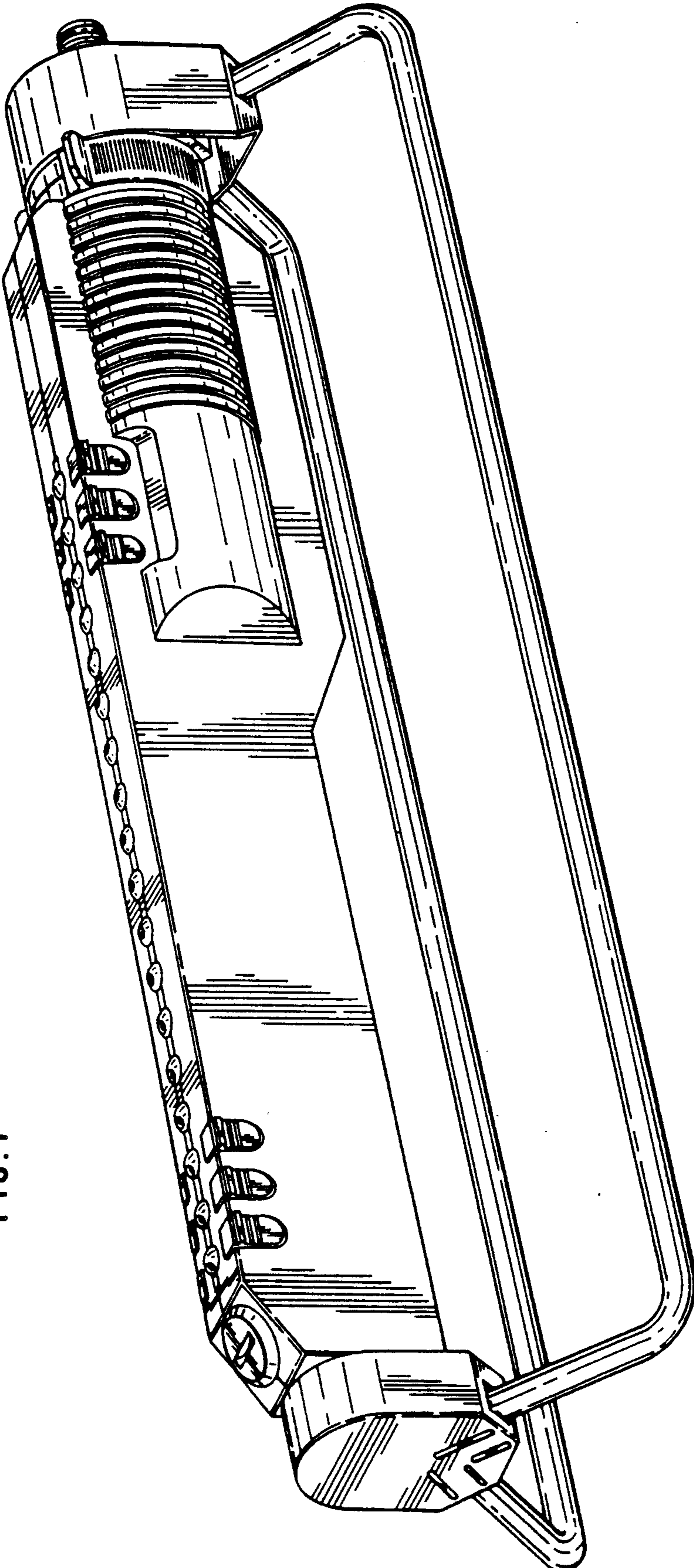


FIG. 1

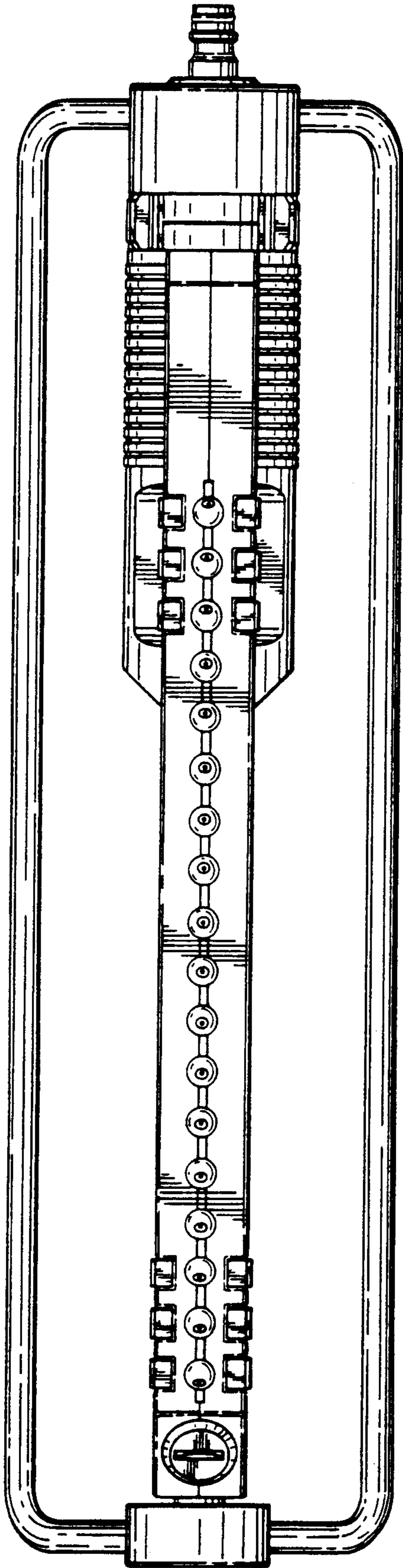
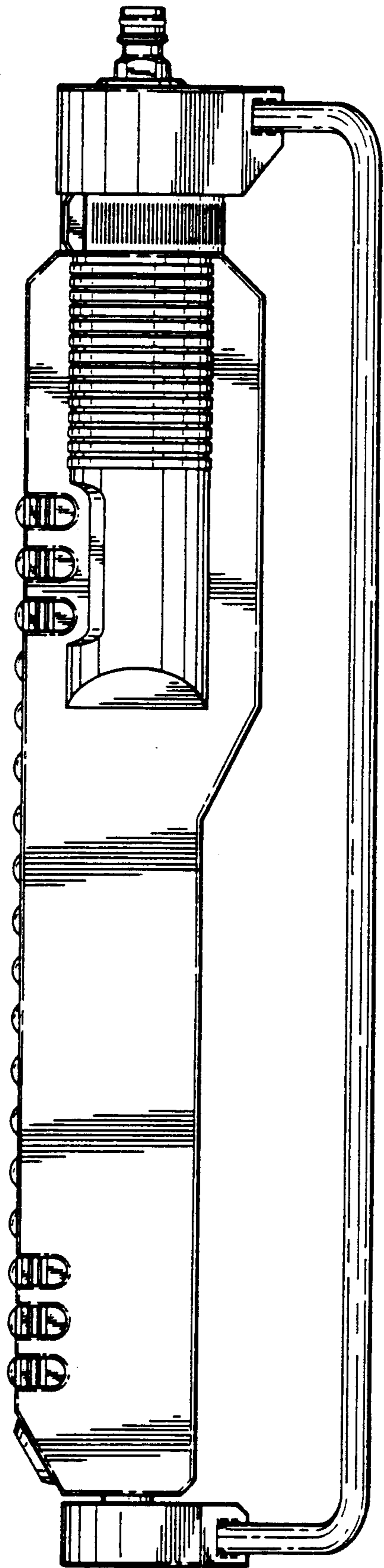


FIG. 2

FIG. 3



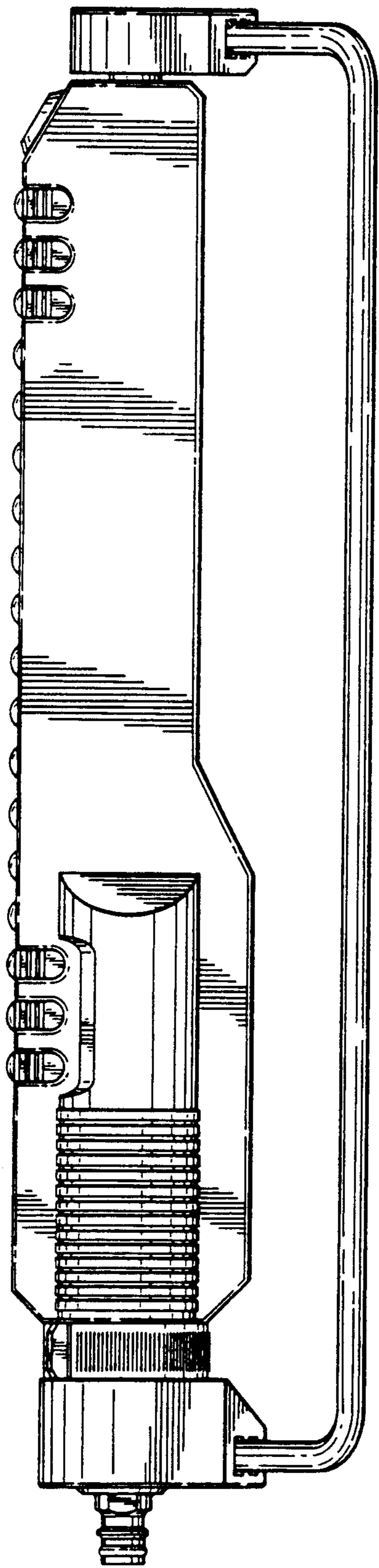


FIG. 4

FIG. 5

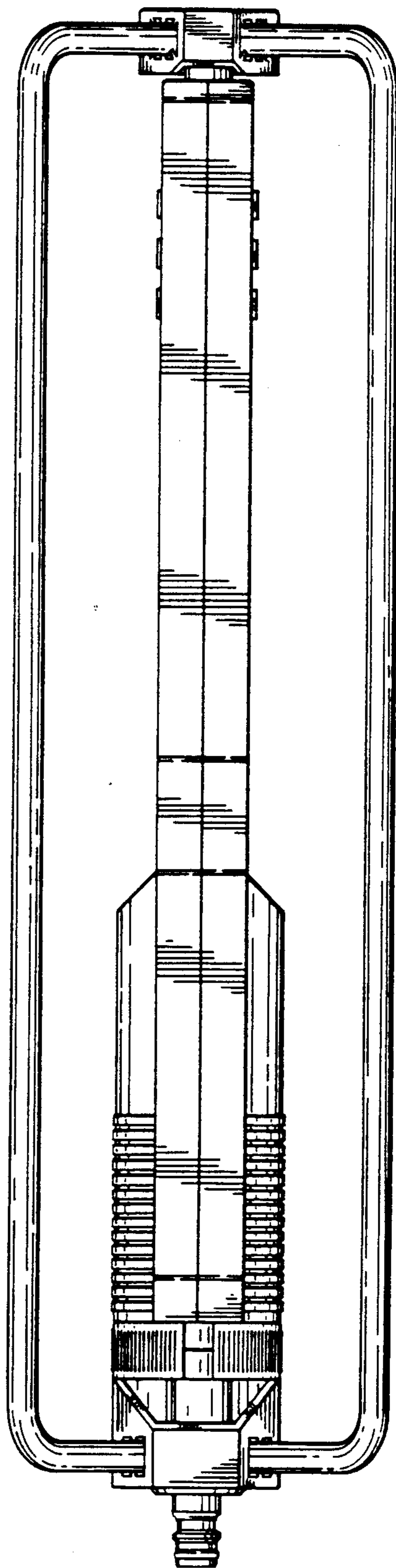


FIG. 6

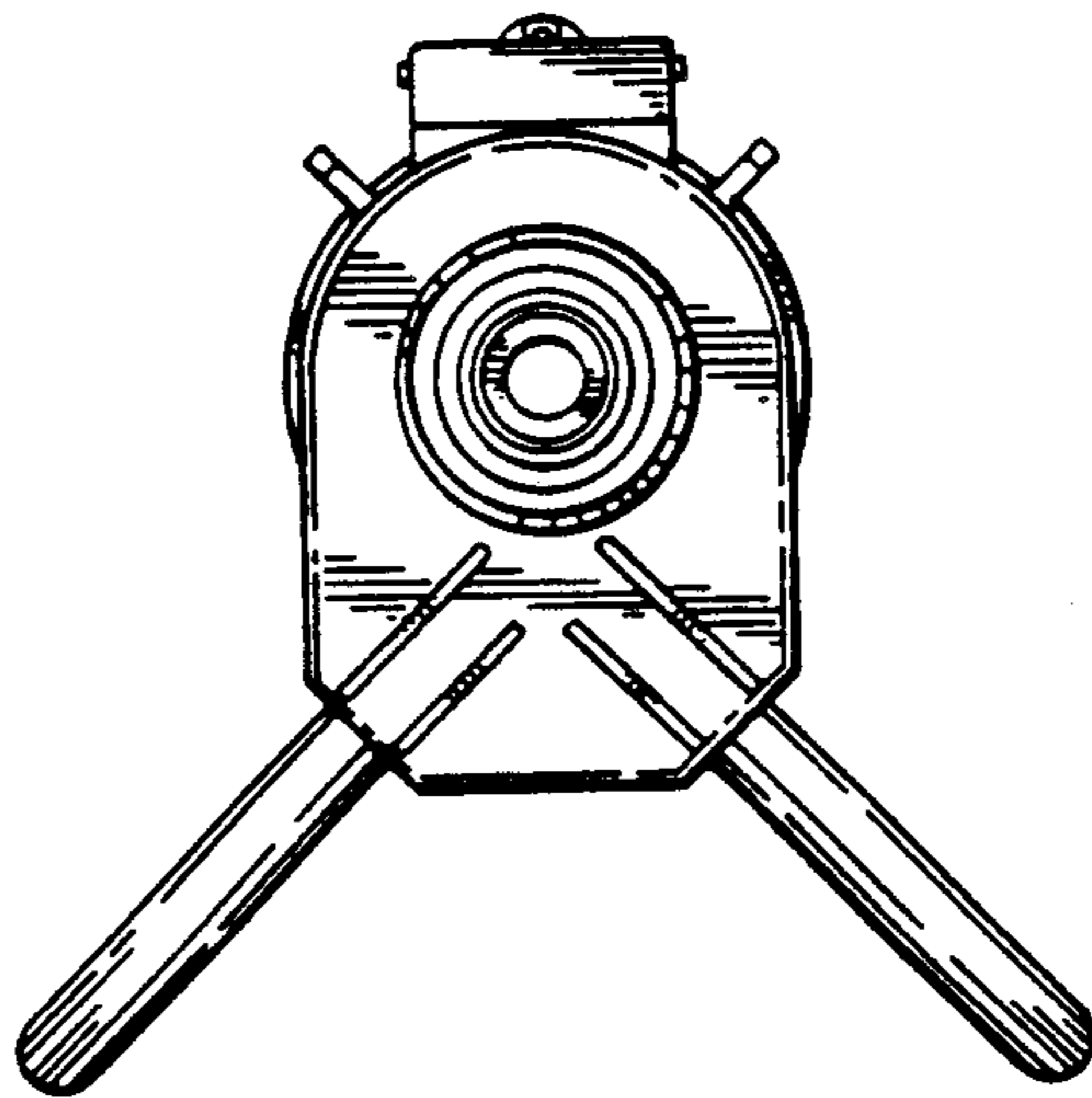


FIG. 7

