

[54] SPRINKLER

[76] Inventor: Ruggero Ferrari, 11/A Strada Naviglia, Parma, Italy, 43100

[\*\*] Term: 14 Years

[21] Appl. No.: 388,354

[22] Filed: Aug. 2, 1980

[30] Foreign Application Priority Data

Feb. 8, 1989 [IT] Italy ..... 28912/89[U]
[52] U.S. Cl. .... D23/215
[58] Field of Search ..... D23/200, 211, 213-221; 239/200-207, 211, 242-243, 246-288, 273, 275-276, 279-280, 390-394, 443-444, 456, 556-558, DIG. 1

[56] References Cited

U.S. PATENT DOCUMENTS

Table with 4 columns: Patent No., Date, Inventor, and U.S. Cl. No. listing references such as D. 95,443 4/1935 McCormick, D. 100,087 6/1936 Butt, etc.

Primary Examiner—Susan J. Lucas
Assistant Examiner—M. H. Tung

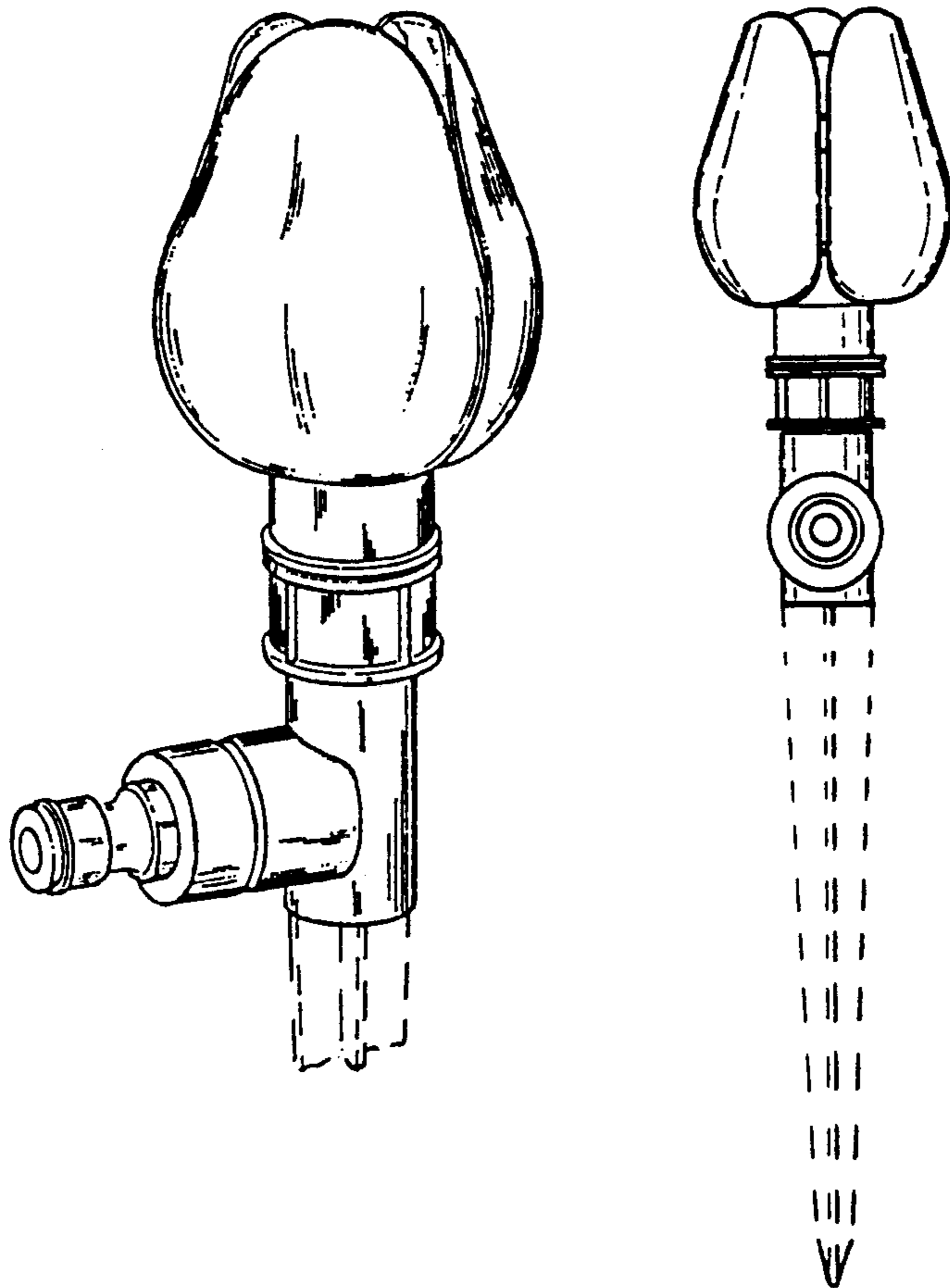
Attorney, Agent, or Firm—Banner, Birch, McKie & Beckett

[57] CLAIM

The ornamental design for a sprinkler, as shown and described.

DESCRIPTION

FIG. 1 is a right side perspective view of a sprinkler showing my new design;
FIG. 2 is a front elevational view thereof;
FIG. 3 is a rear elevational view thereof;
FIG. 4 is a right side elevational view thereof;
FIG. 5 is a left side elevational view thereof;
FIG. 6 is a top plan view thereof;
FIG. 7 is a bottom plan view thereof;
FIG. 8 is a right side perspective view thereof, the sprinkler in an open position;
FIG. 9 is a front elevational view thereof;
FIG. 10 is a rear elevational view thereof;
FIG. 11 is a right side elevational view thereof;
FIG. 12 is a left side elevational view thereof;
FIG. 13 is a top plan view thereof; and
FIG. 14 is a bottom plan view thereof.
The broken line drawing of a stake in FIGS. 1-5, 9-12 is for illustrative purposes only and forms no part of the claimed design.



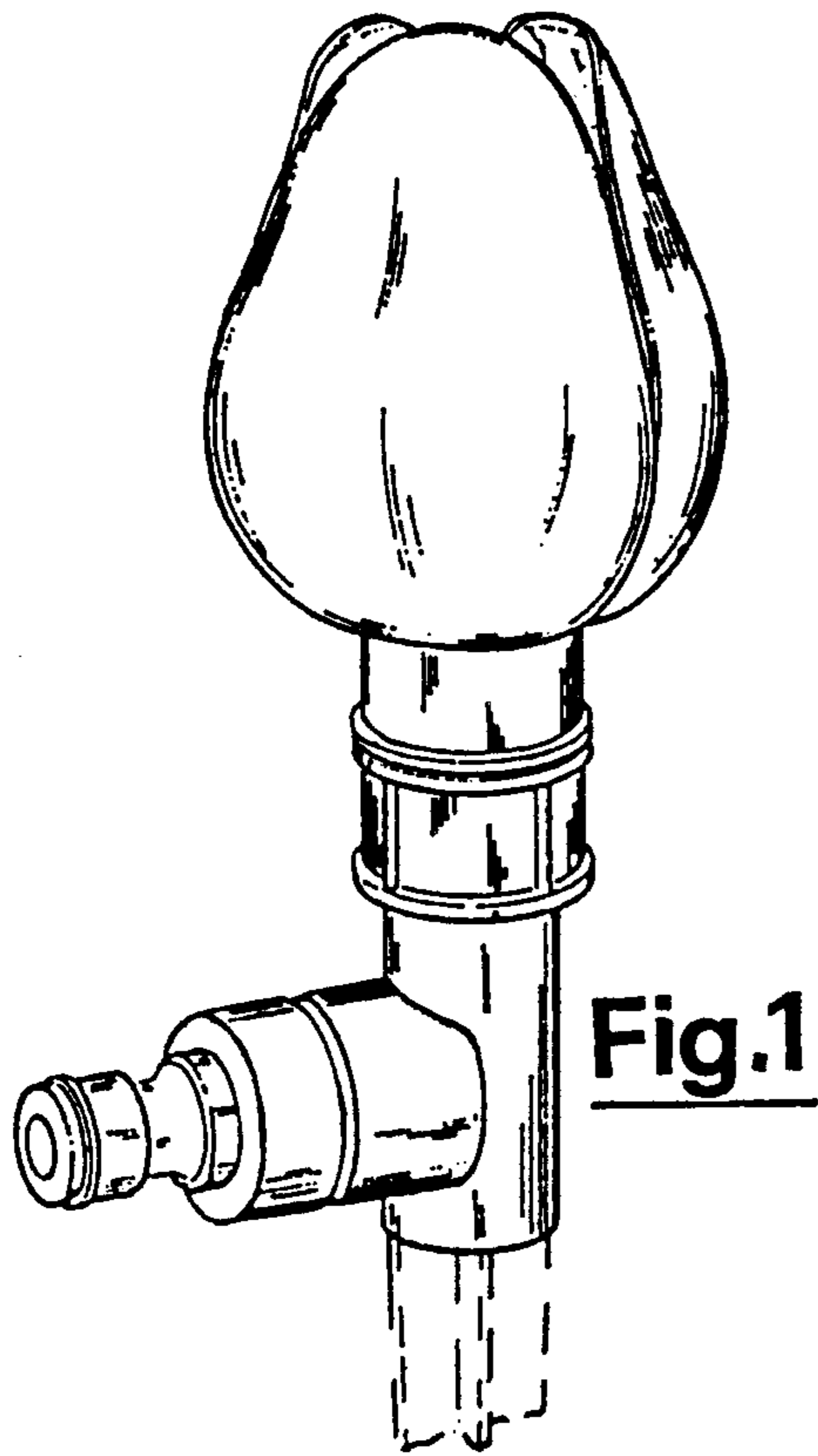


Fig.1

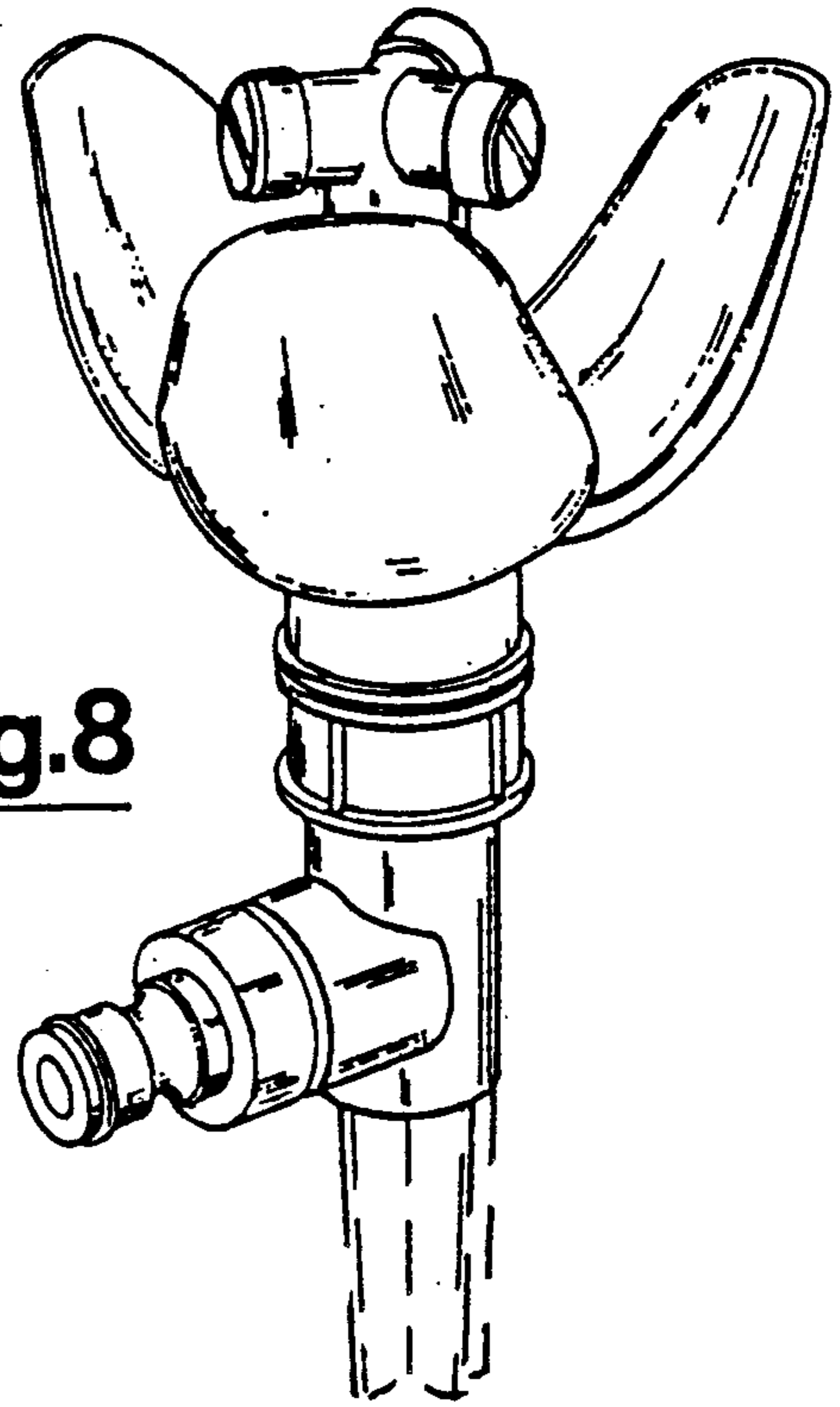


Fig.8

Fig.6

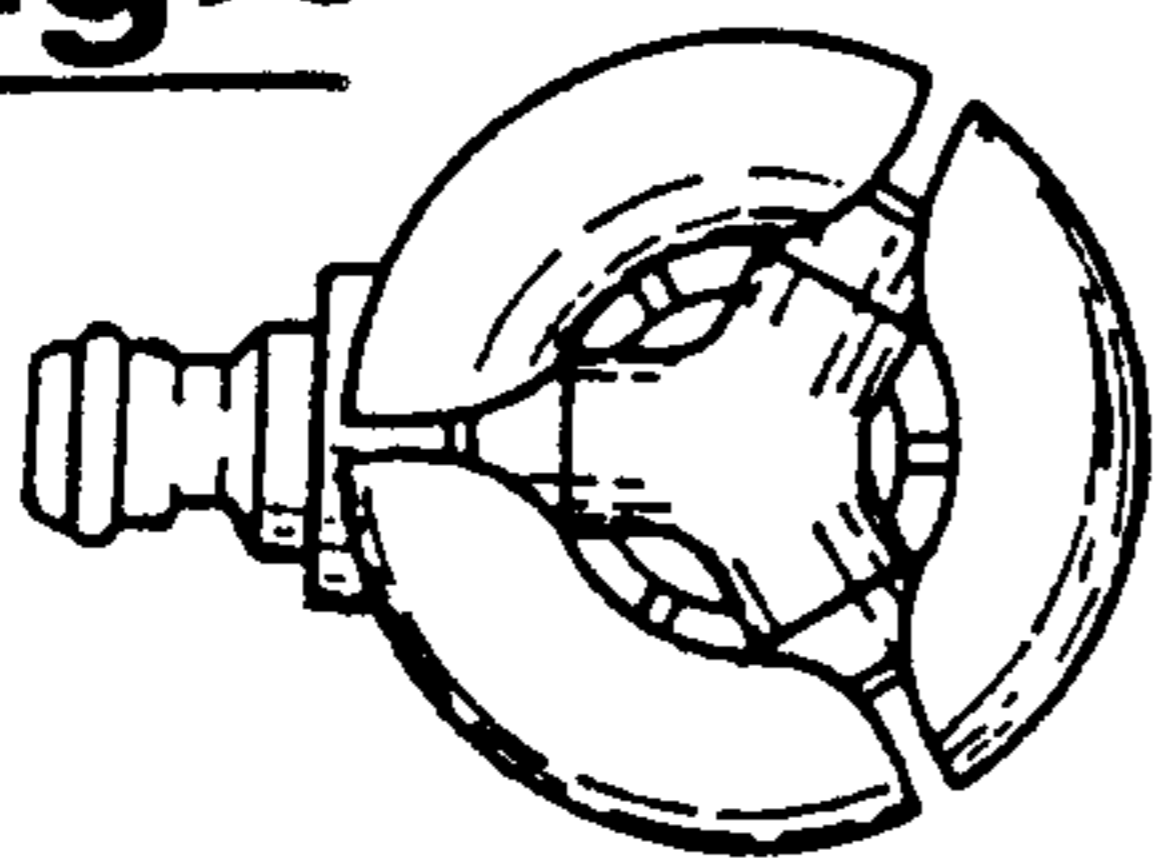


Fig.7

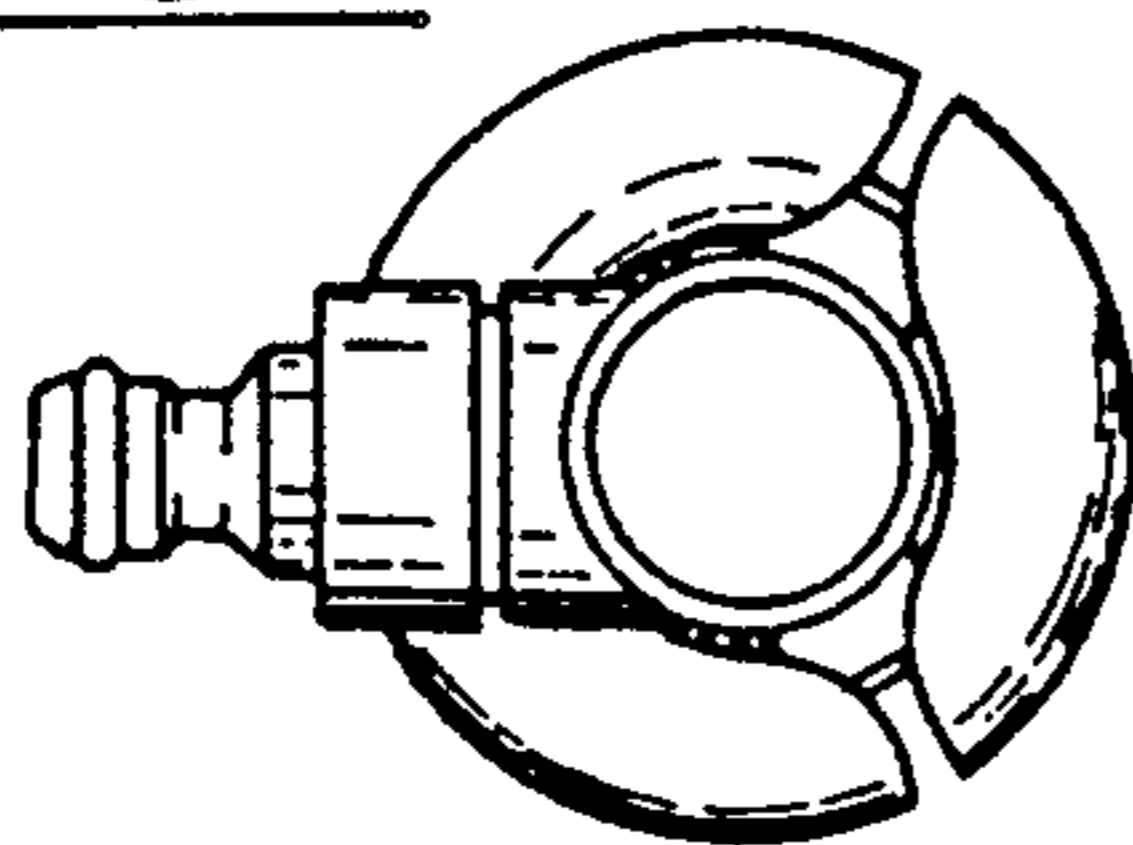


Fig.13

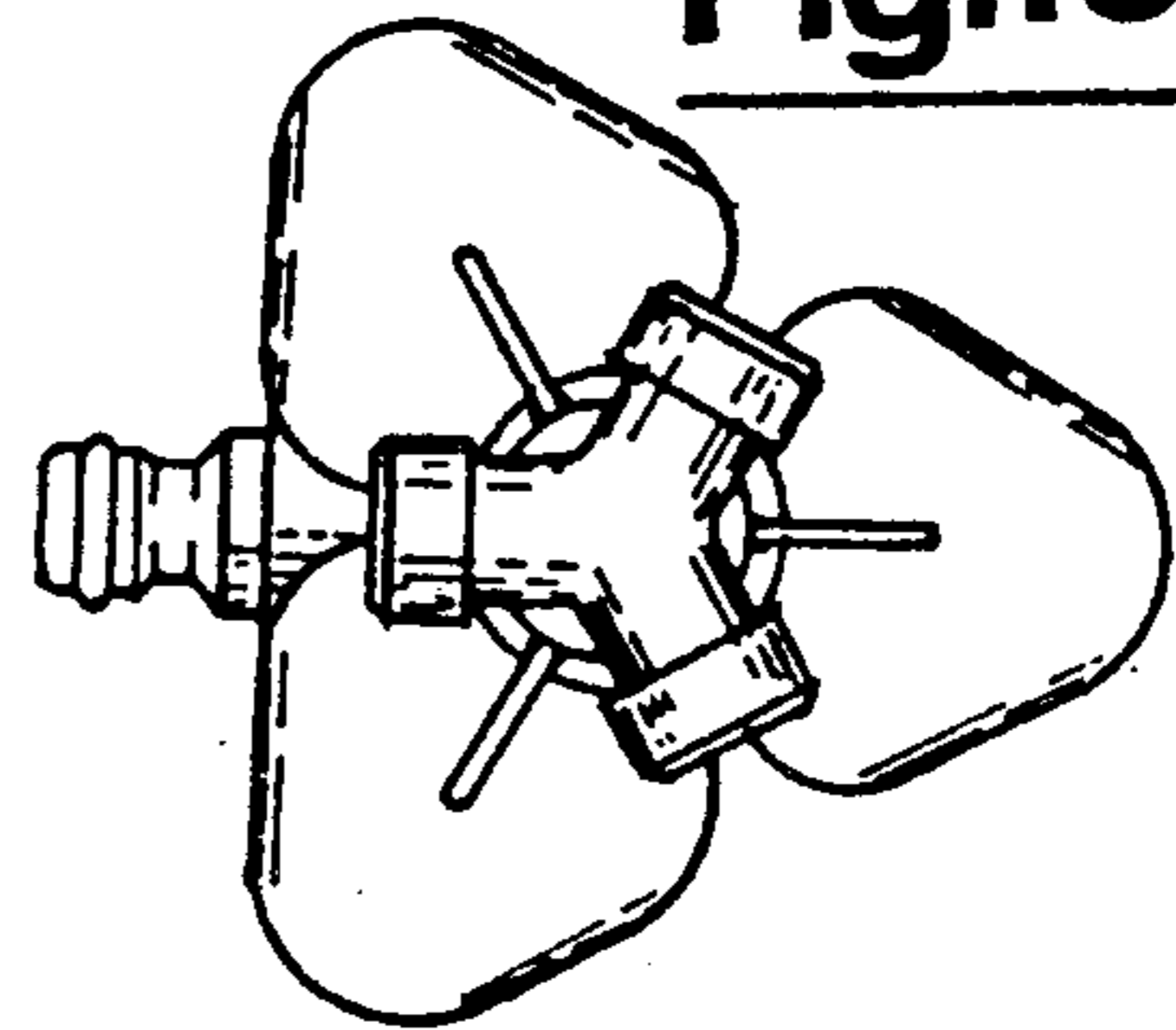


Fig.14

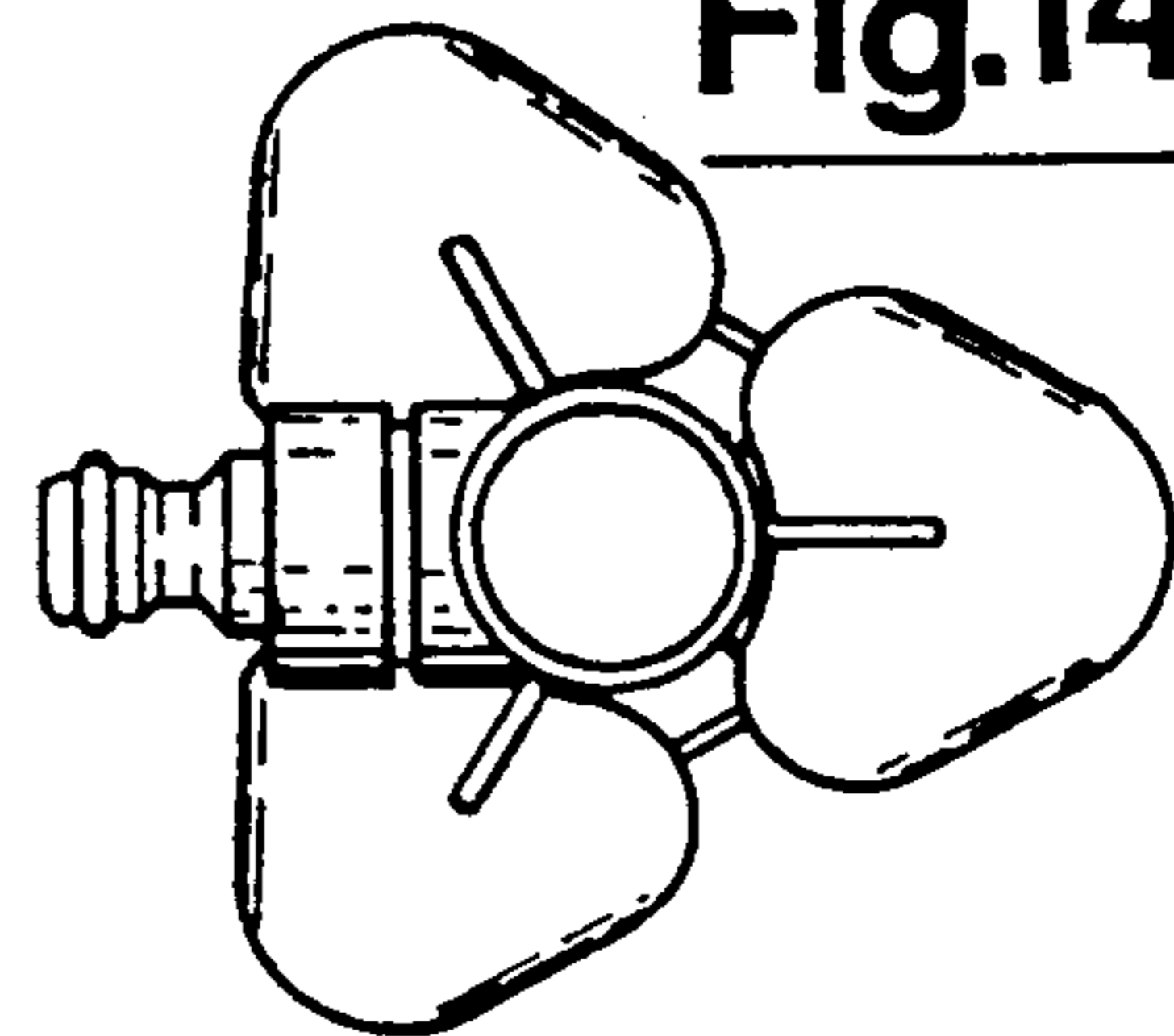


Fig.4

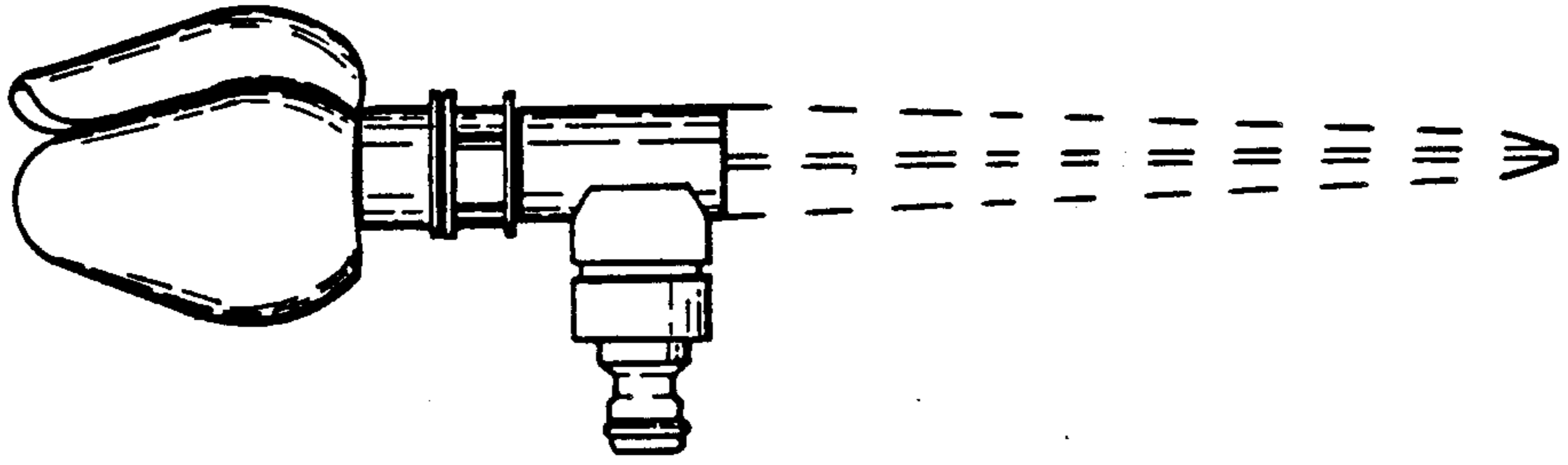


Fig.3

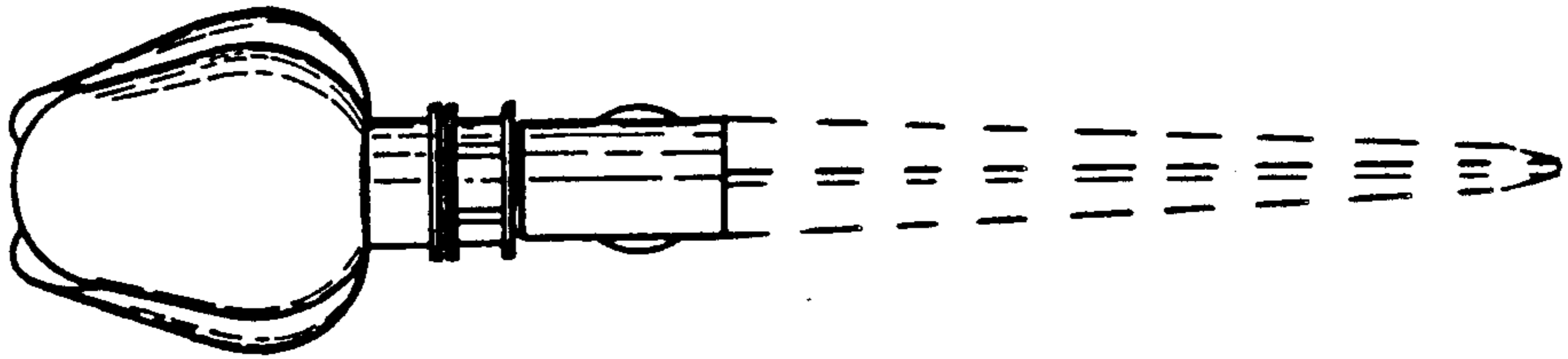


Fig.5

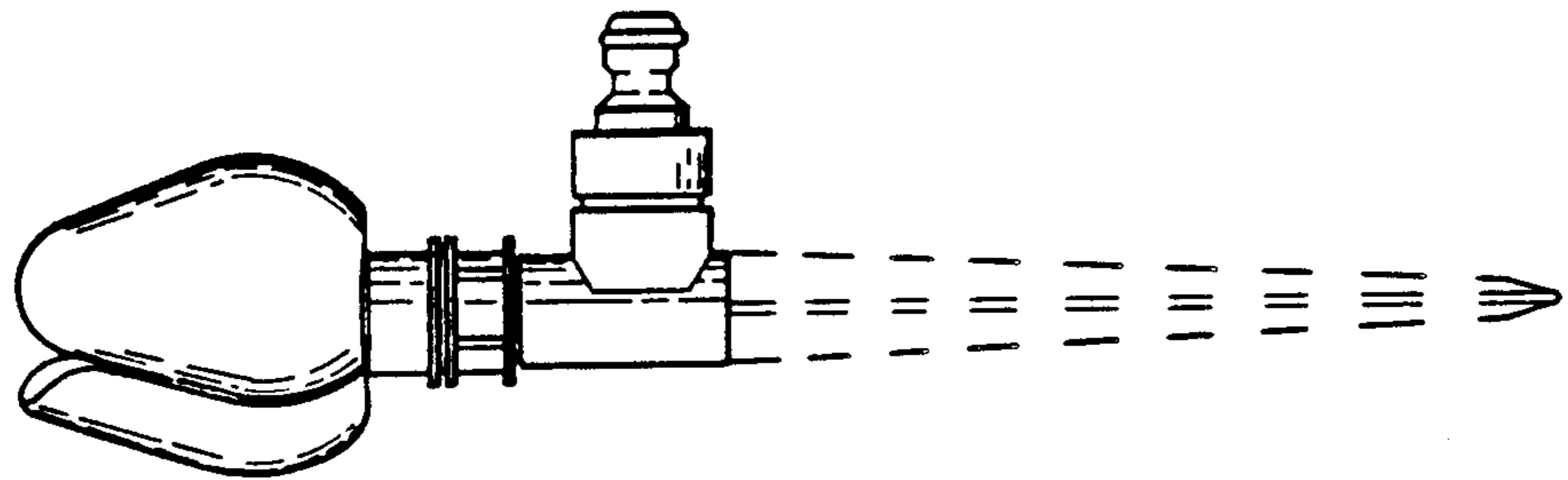
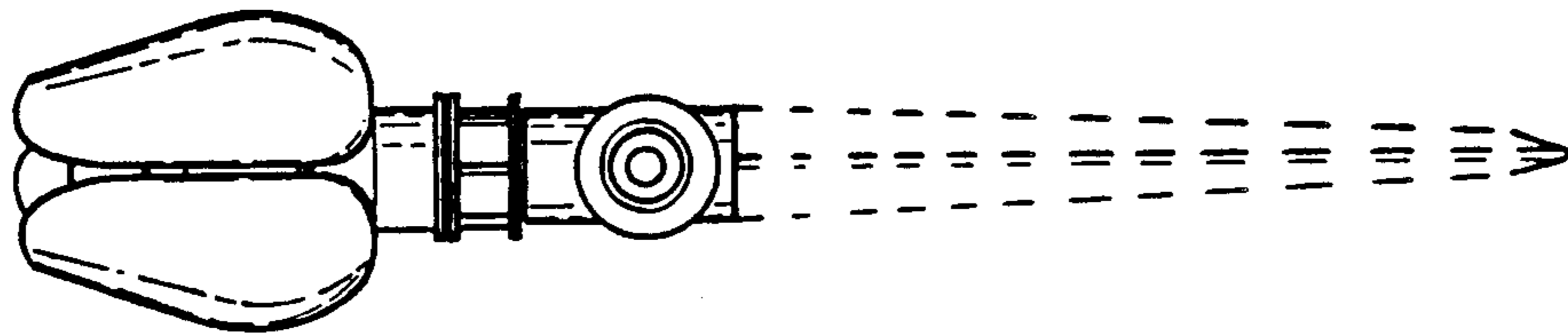
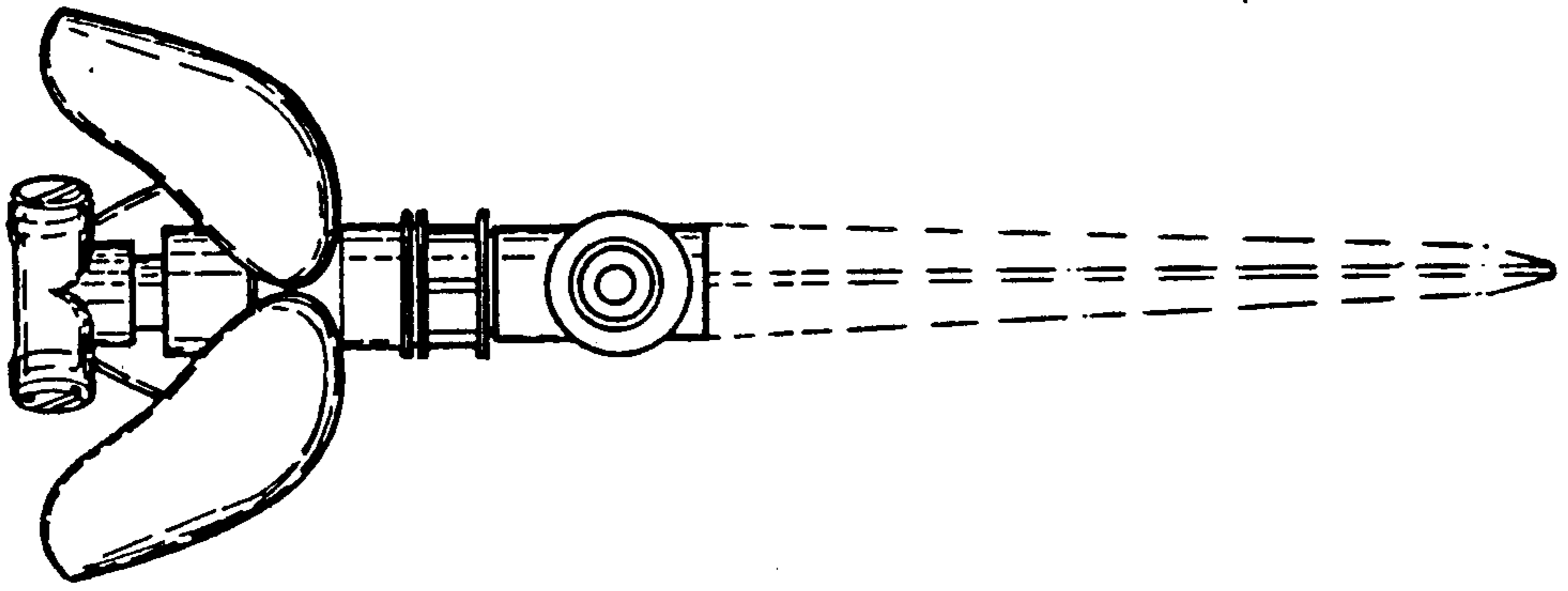


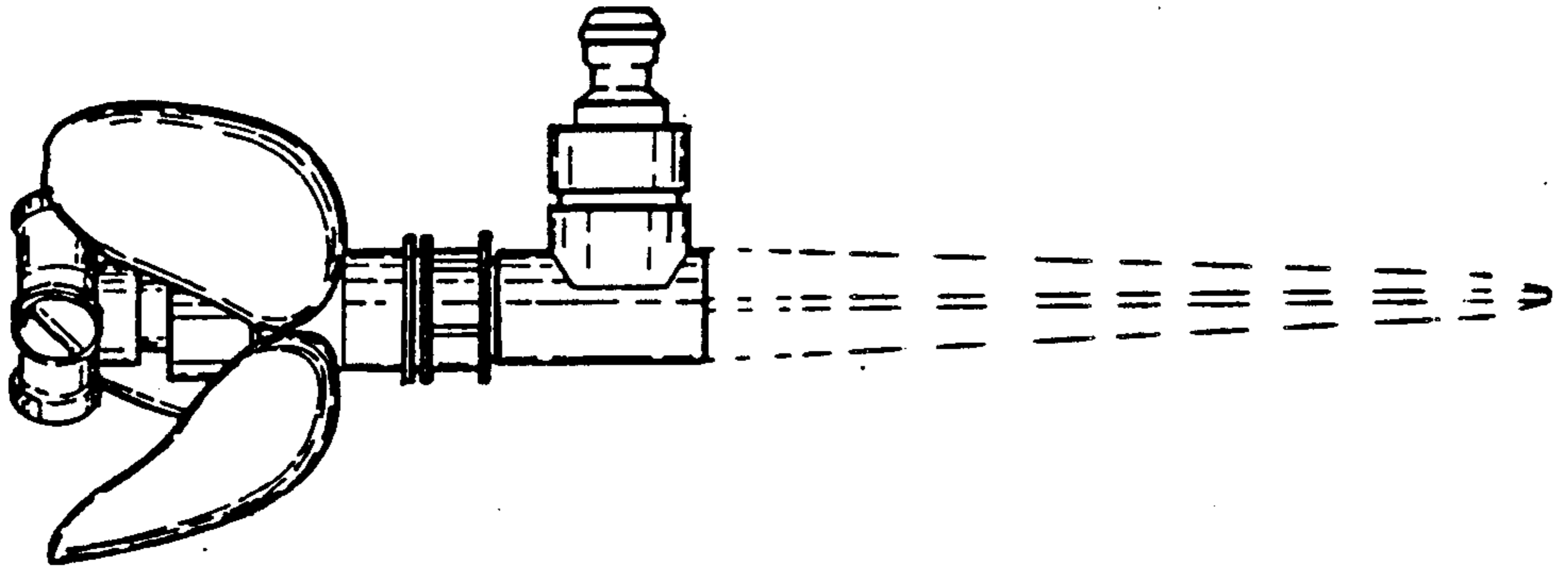
Fig.2



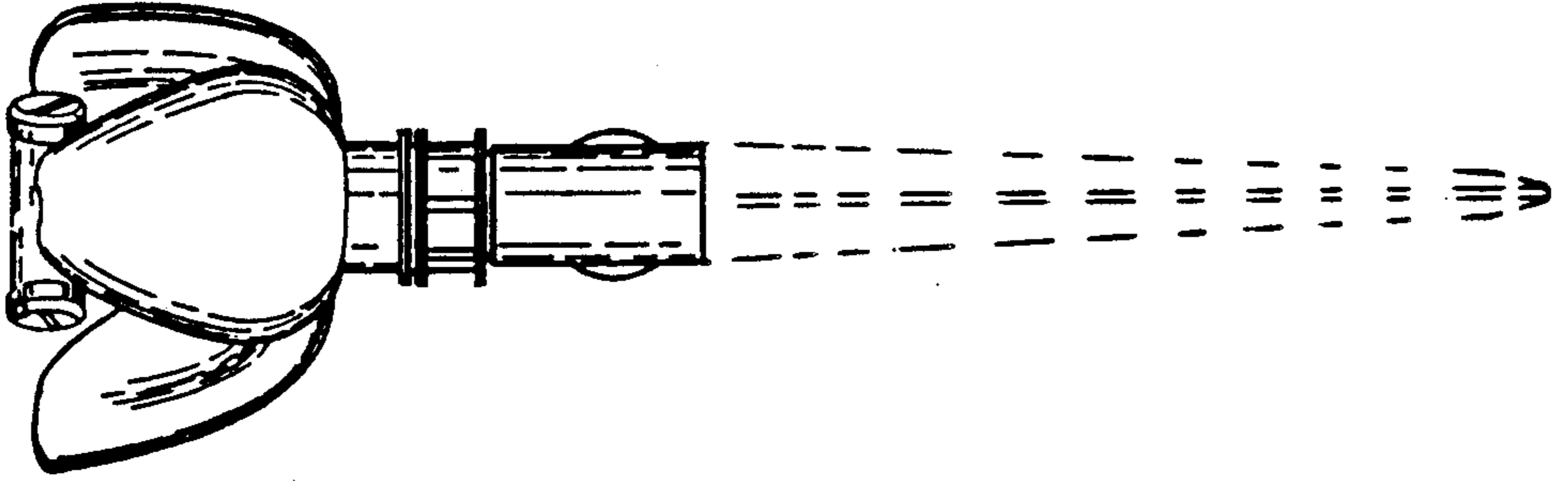
**Fig. 9**



**Fig. 12**



**Fig. 10**



**Fig. 11**

