

United States Patent [19]

Presman

[11] Patent Number: **Des. 315,393**

[45] Date of Patent: **** Mar. 12, 1991**

[54] **HEAD FOR A SHOWER OR HAND SPRAY**

[75] Inventor: **Constantin Presman, Bat-Yam, Israel**

[73] Assignee: **AMCOR Ltd., Tel Aviv, Israel**

[**] Term: **14 Years**

[21] Appl. No.: **290,286**

[22] Filed: **Dec. 23, 1988**

[30] **Foreign Application Priority Data**

Aug. 18, 1988 [IL] Israel 14084

[52] U.S. Cl. **D23/213**

[58] Field of Search D23/213, 222-230;
4/191-192, 447, 567-570, 599-603, 596, 615;
239/310, 276-281, 282-283, 288.5, 443-449,
456-460, 525, 530-532, 548, 550-552, 556-559,
562-565, 567, 581-583, 586-588

[56] **References Cited**

U.S. PATENT DOCUMENTS

D. 296,002 5/1988 Haug et al. D23/229

1,598,996 9/1926 Wheelock 239/559
2,874,001 2/1959 Webb D23/213 X
3,057,561 10/1962 Corlett, Jr. 4/596 X
4,398,668 8/1983 Jette 4/596 X

OTHER PUBLICATIONS

"Hardware Age" item shower head, Aug. 1986, p. 216.

Primary Examiner—Susan J. Lucas

Assistant Examiner—M. H. Tung

Attorney, Agent, or Firm—Browdy and Neimark

[57] **CLAIM**

The ornamental design for the head for a shower or a hand spray, as shown and described.

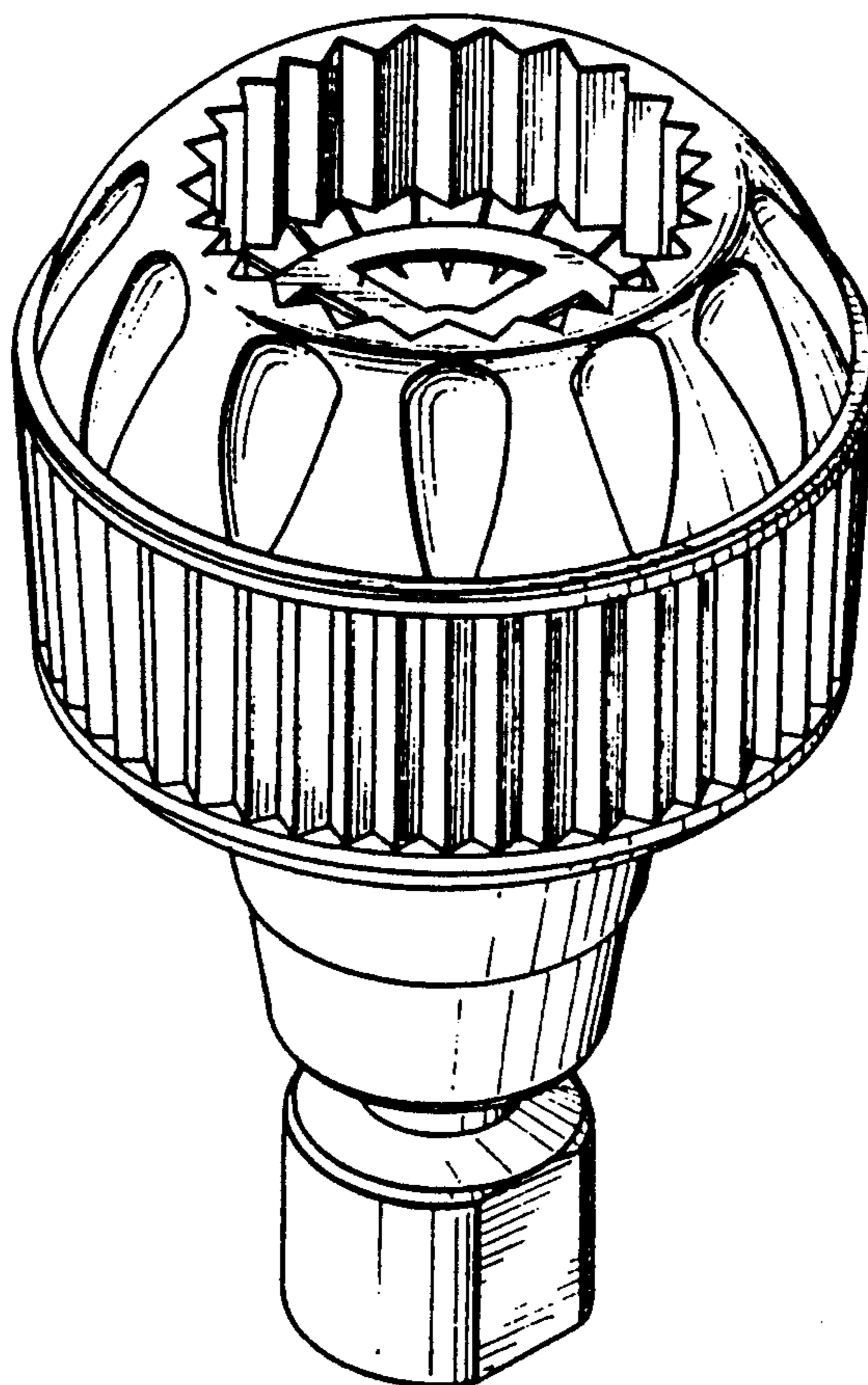
DESCRIPTION

FIG. 1 is a front elevational view of a head for a shower or hand spray showing my new design;

FIG. 2 is a rear elevational view thereof;

FIG. 3 is a side elevational view thereof, the opposite being identical;

FIG. 4 is a bottom perspective view thereof, on an enlarged scale.



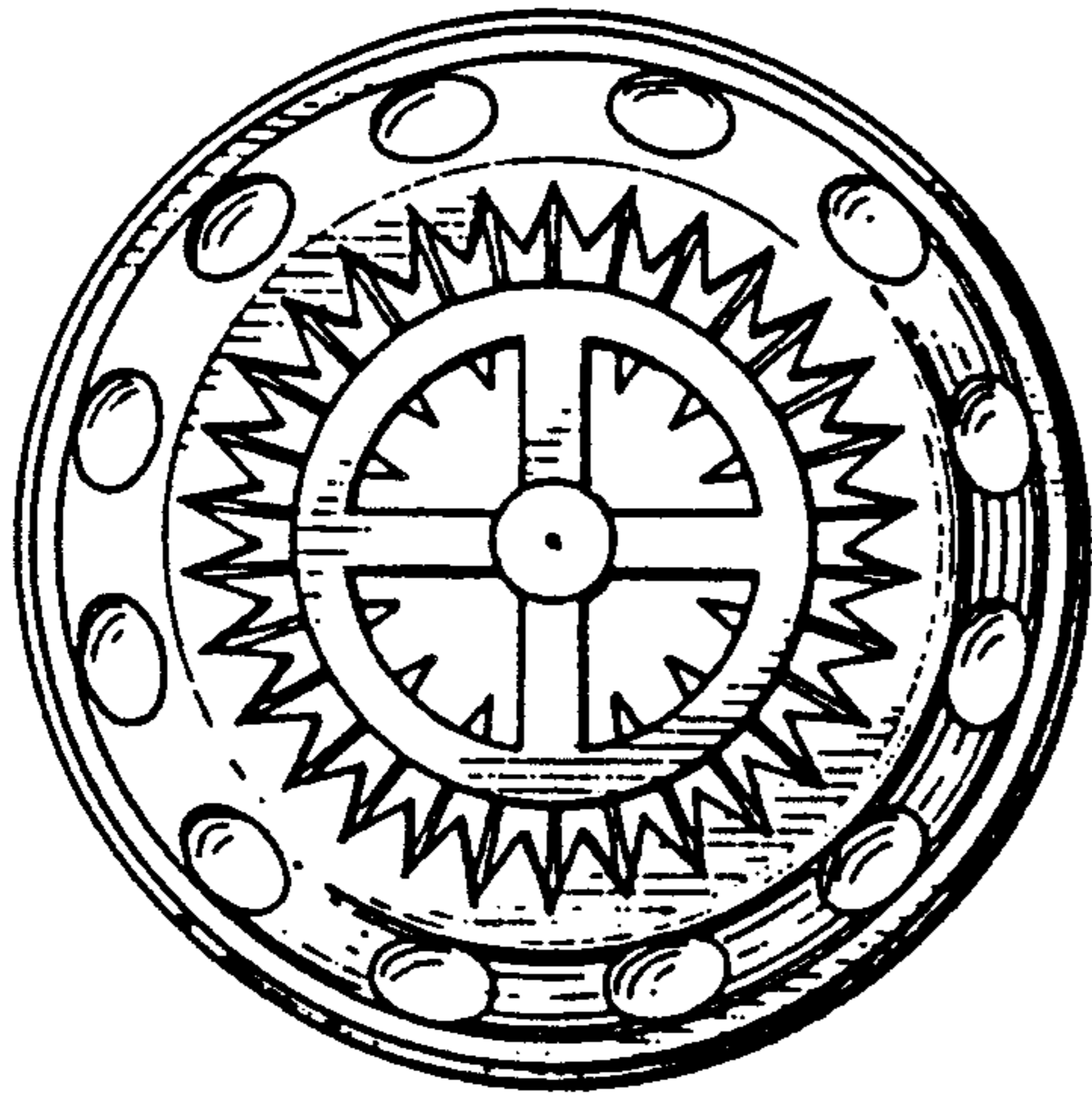


FIG. 1

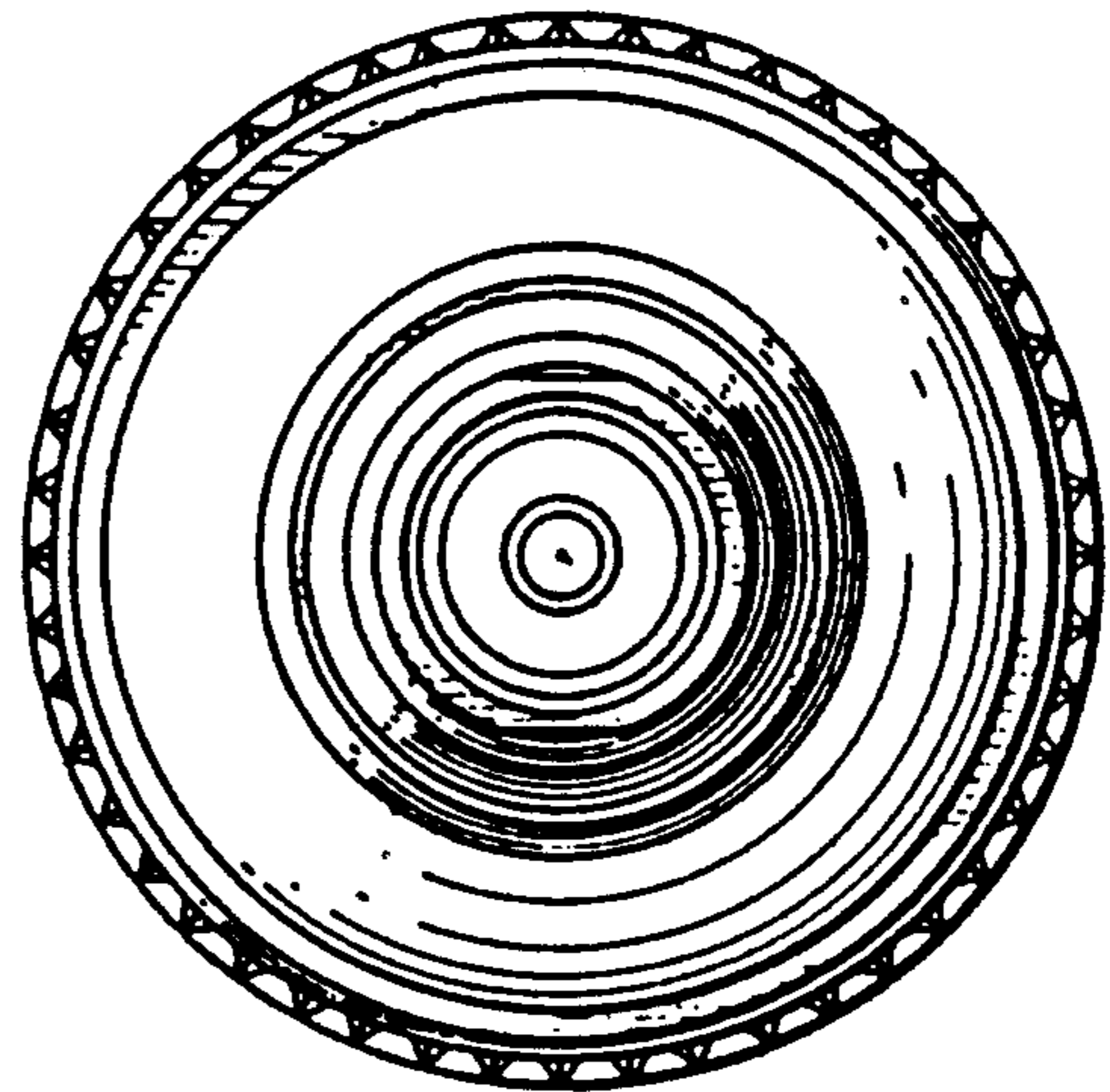


FIG. 2

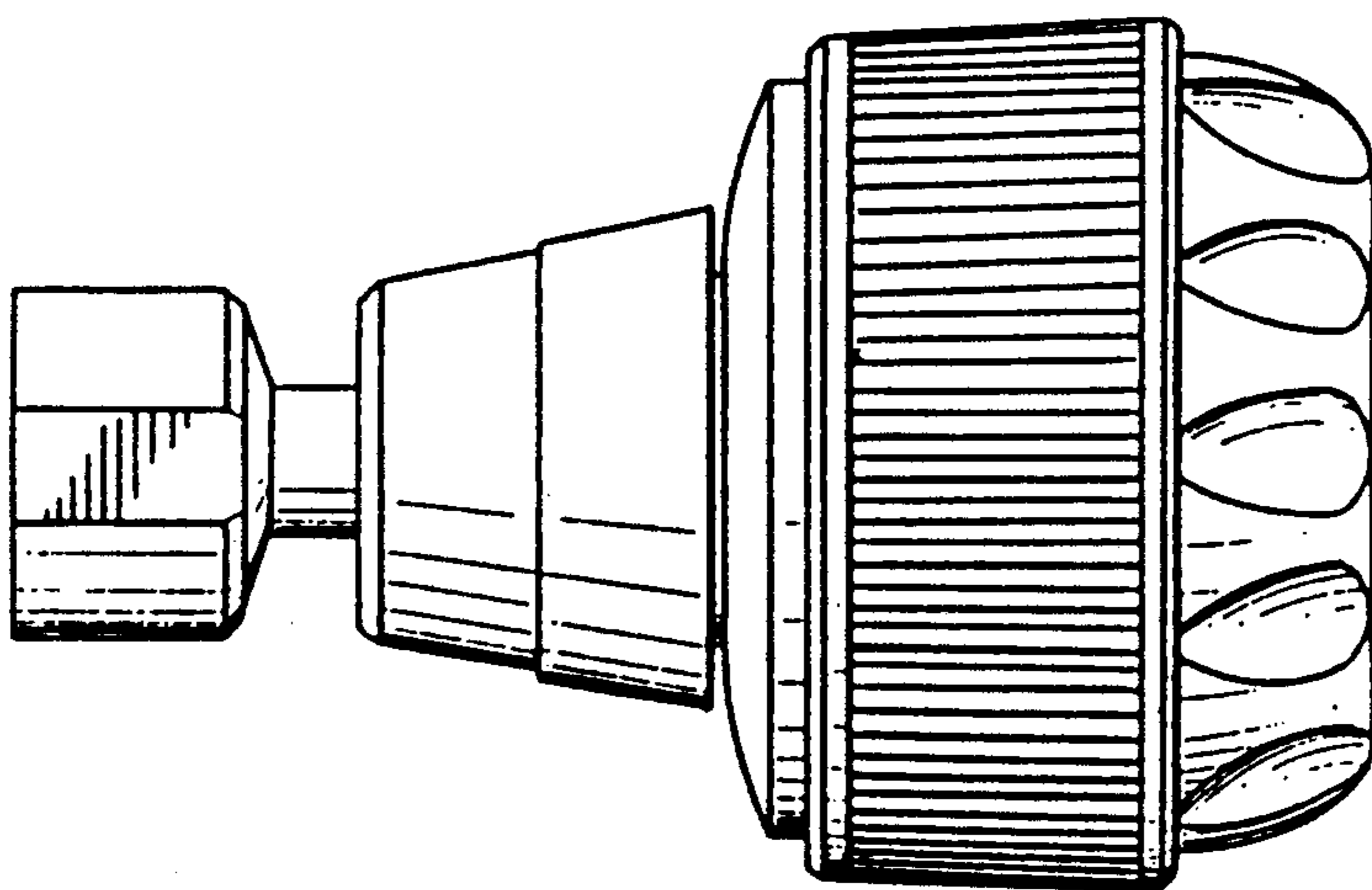


FIG. 3

FIG. 4

