

- [54] COMBINED BASKETBALL GAME GOAL AND BALL RETURN
- [75] Inventors: Ken C. Cochran; Alan J. Sias; Donald R. Frye, all of Salinas, Kans.
- [73] Assignee: Pop-A-Shot, Inc., Salina, Kans.
- [\*\*] Term: 14 Years
- [21] Appl. No.: 220,813
- [22] Filed: Jul. 12, 1988
- [52] U.S. Cl. .... D21/201
- [58] Field of Search ..... D21/200, 201; 273/1.5 R, 1.5 A

[56] References Cited

U.S. PATENT DOCUMENTS

D. 255,040	5/1980	Cochran et al. ....	D21/201
D. 280,755	9/1985	Cochran .....	D21/201
D. 284,599	7/1986	Cochran .....	D21/201
D. 293,125	12/1987	Cochran .	
1,799,263	4/1931	Swain et al. ....	273/179 B
1,924,757	5/1929	Shisoff .....	273/379
2,499,559	3/1950	Babits et al. ....	273/125 A
2,609,199	9/1952	Koener .....	273/125 A
2,617,653	11/1952	Keller .....	273/1.5 R
3,044,778	7/1962	Beck et al. ....	273/125 A
4,013,292	3/1977	Cohen et al. .	
4,151,989	5/1979	Dittrich .	
4,786,371	11/1988	Postol .....	273/1.5 A
4,838,549	6/1989	Woodall .....	273/1.5 A

FOREIGN PATENT DOCUMENTS

214026	11/1957	Australia .....	273/125 A
--------	---------	-----------------	-----------

OTHER PUBLICATIONS

- Recreation Sports and Leisure, Oct. 1985, Ball Return Companion.
- Vending Times, Aug. 1988, p. 73, Greyhound Basketball.
- RePlay Magazine, Mar. 1988 issue, p. 116.
- Undated promotional sheet from Kramer Manufacturing Company.
- Undated advertising sheet for Hot Shotz Basketball Game.
- Undated advertising sheet from Intermark Amusements, Inc.
- RePlay Magazine, Mar., 1988 issue, p. 213.
- Undated advertising sheet from Vari-Tech Co.
- Undated advertising sheets (3) from Smart Industries Corp.
- Undated advertising sheet from Design Plus Industries.
- Undated advertising sheet from Gamemasters, Inc.
- RePlay Magazine, Oct., 1987 issue, pp. 136 and 134.

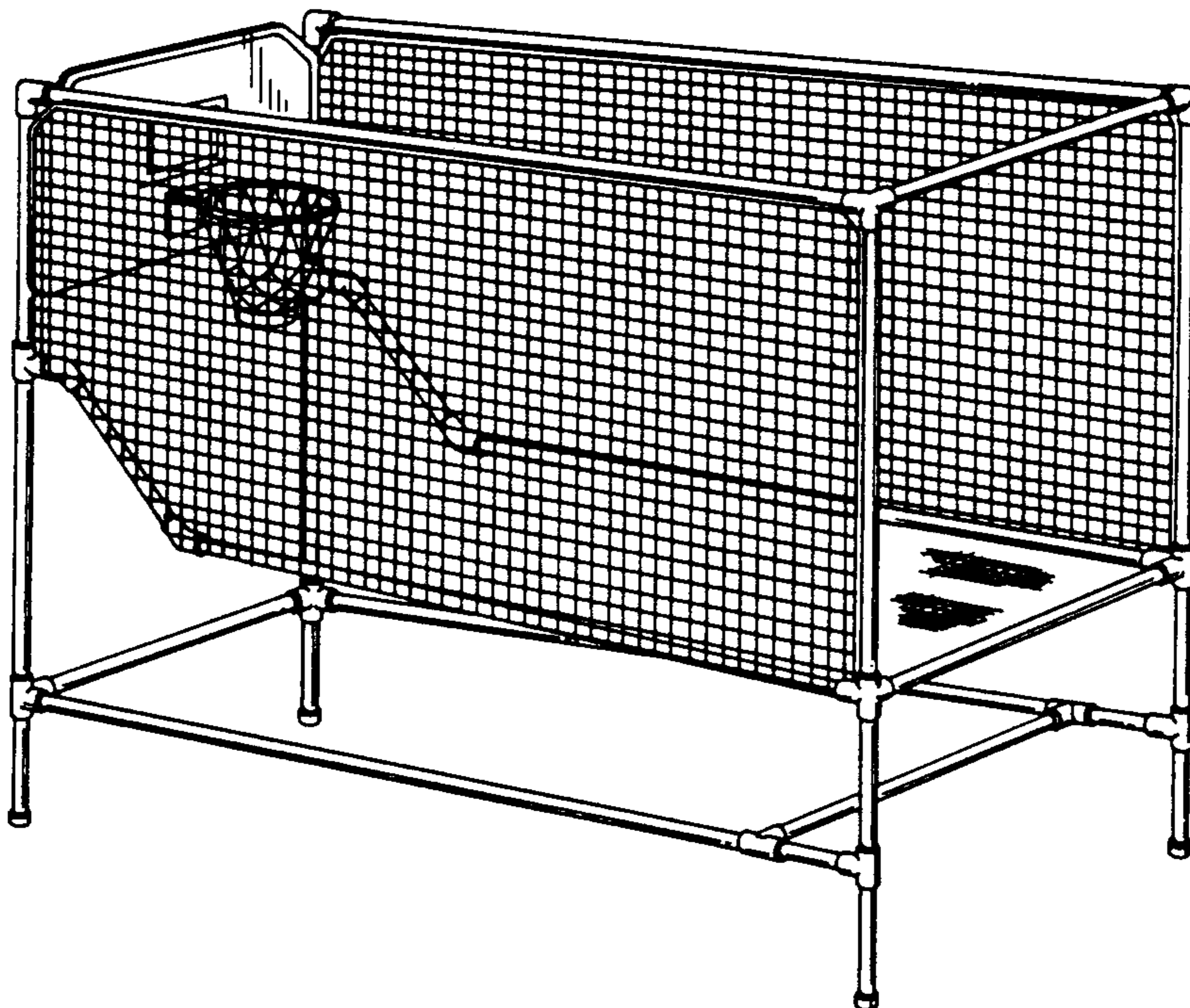
*Primary Examiner*—Melvin B. Feifer  
*Assistant Examiner*—Philip Hyder  
*Attorney, Agent, or Firm*—Kokjer, Kircher, Bradley, Wharton, Bowman & Johnson

[57] CLAIM

The ornamental design for a combined basketball game goal and ball return, as shown and described.

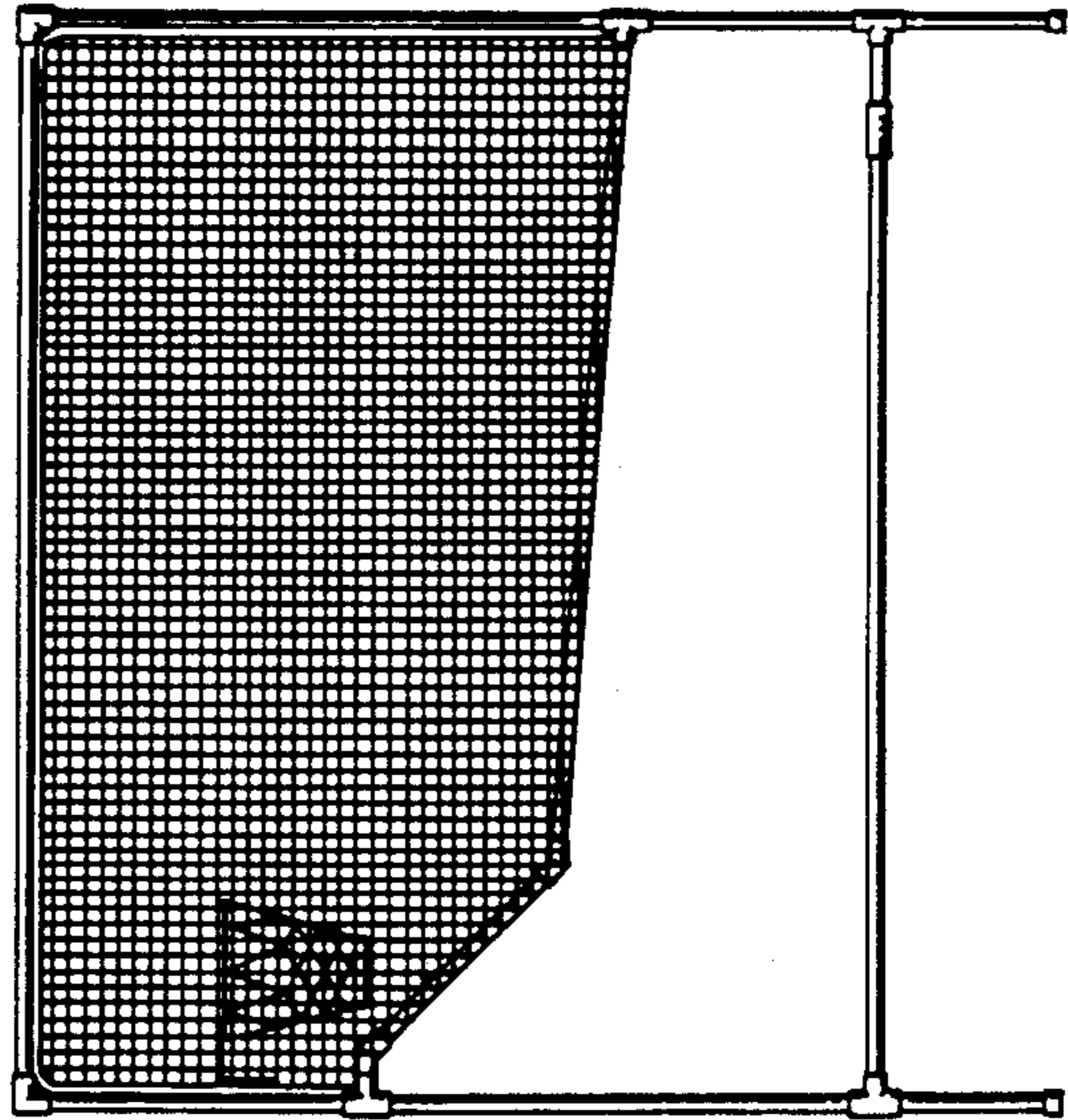
DESCRIPTION

FIG. 1 is a perspective view of a basketball game goal and ball return showing our new design;  
 FIG. 2 is a front elevation thereof;  
 FIG. 3 is a left side elevation thereof, the other side being substantially identical thereto; and  
 FIG. 4 is a top plan view thereof.

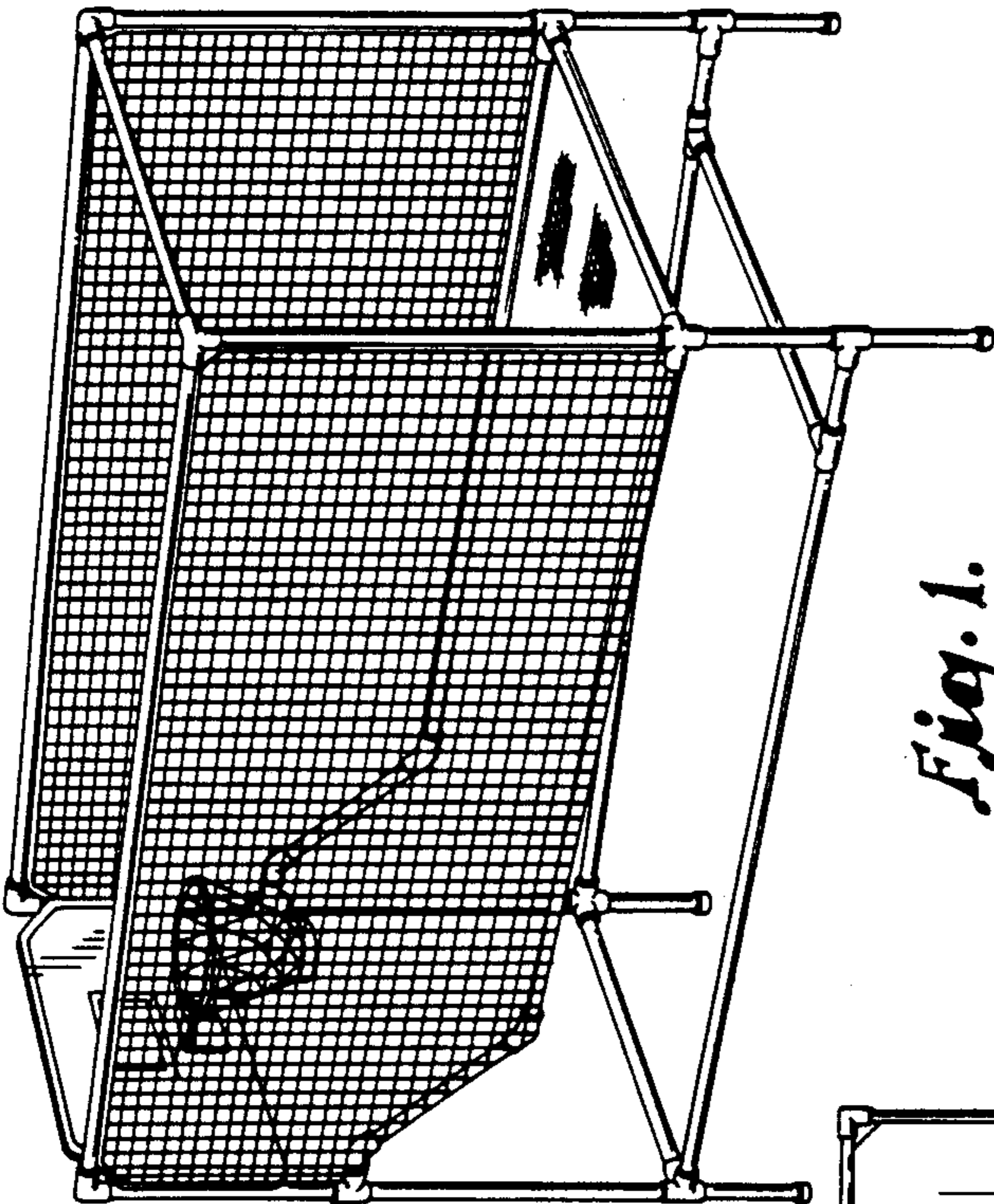




*Fig. 4.*



*Fig. 3.*



*Fig. 1.*

*Fig. 2.*

