

United States Patent [19]
Meyer

[11] **Patent Number: Des. 315,381**
[45] **Date of Patent: ** Mar. 12, 1991**

[54] **TOY BUILDING BLOCK**

[76] **Inventor: Anton Meyer, Gratznerstrasse 3,
D-8000 Ingolstadt 2, Fed. Rep. of
Germany**

[**] **Term: 14 Years**

[21] **Appl. No.: 488,961**

[22] **Filed: Mar. 6, 1990**

Related U.S. Application Data

[62] **Division of Ser. No. 151,804, Feb. 3, 1988.**

[30] **Foreign Application Priority Data**

Aug. 5, 1987 [DE] Fed. Rep. of Germany 10-17335
[52] **U.S. Cl. D21/108**
[58] **Field of Search D21/59, 99, 108, 114,
D21/117, 118, 119, 129; 446/85, 88, 93, 103,
108, 115, 118, 124, 128, 126**

[56] **References Cited**

U.S. PATENT DOCUMENTS

D. 272,255 1/1984 Chatani et al. D21/108
D. 285,100 8/1986 Volpe D21/108

2,882,689 4/1959 Huch et al. D21/108
3,188,693 6/1965 Troyano D21/108
3,712,622 1/1973 Odier 273/146
4,758,195 7/1988 Walsh 446/85

FOREIGN PATENT DOCUMENTS

1072167 9/1954 France 446/122
248832 3/1948 Switzerland 446/118
209030 4/1924 United Kingdom 446/85
254452 7/1926 United Kingdom 446/85

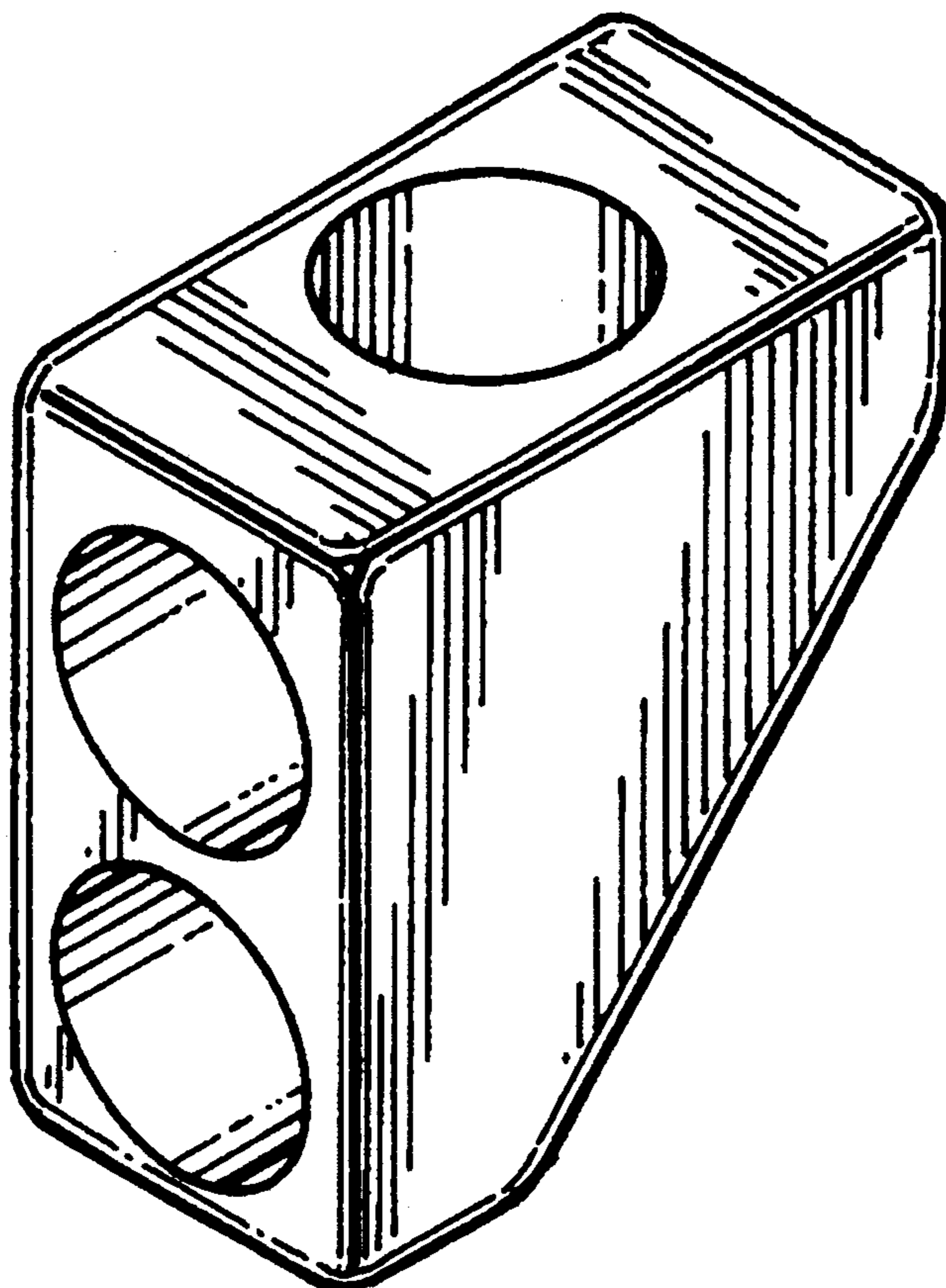
Primary Examiner—Charles A. Rademaker
Attorney, Agent, or Firm—Dellett, Smith-Hill and Bedell

[57] **CLAIM**

The ornamental design for a toy building block, as shown and described.

DESCRIPTION

FIG. 1 is a front perspective view of a toy building block showing my new design;
FIG. 2 is a rear perspective view thereof;
FIG. 3 is a rear elevational view thereof;
FIG. 4 is a side elevational view thereof, the side opposite being a mirror image,
FIG. 5 is a front elevational view thereof; and
FIG. 6 is a bottom plan view thereof.



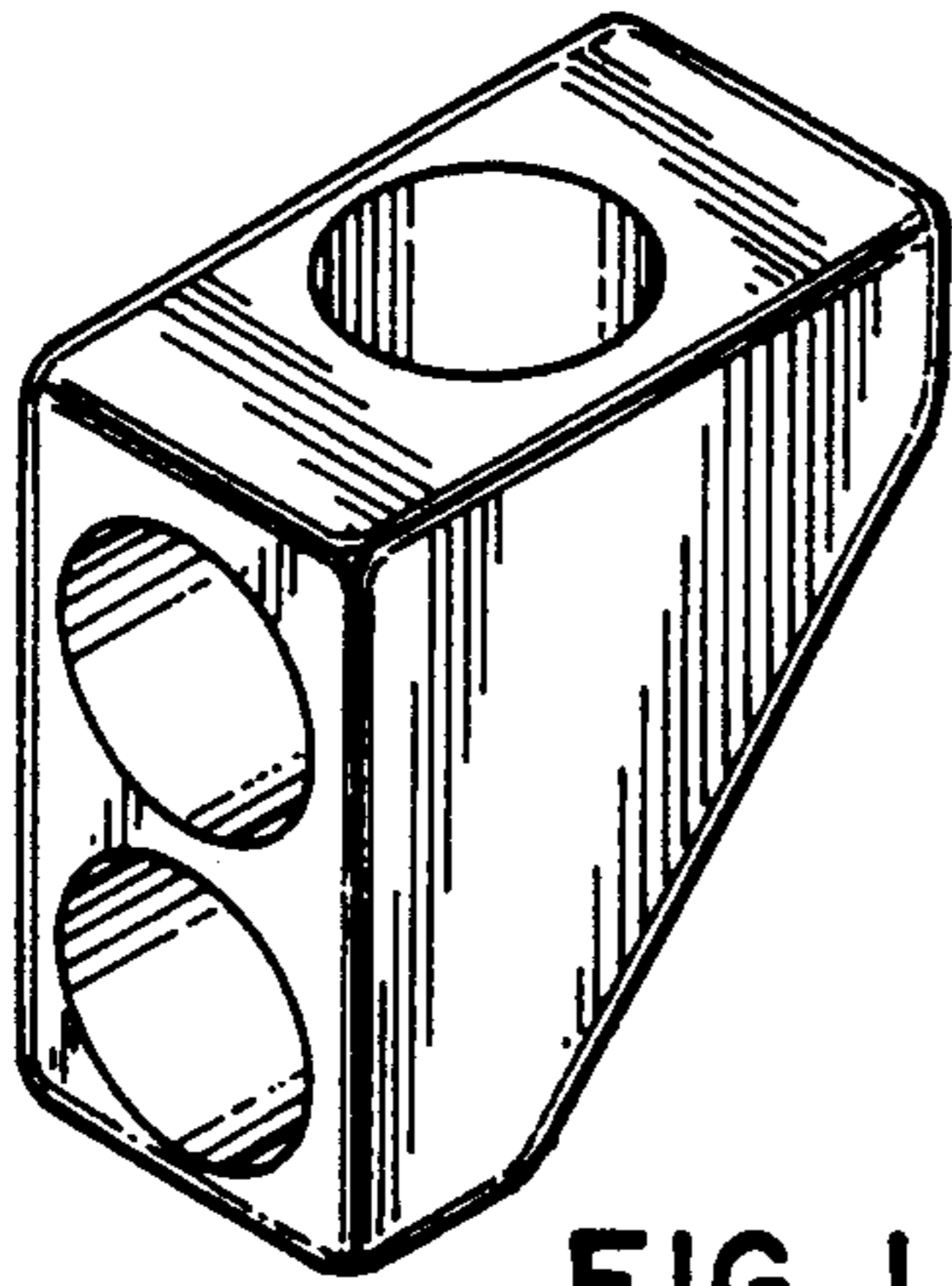


FIG. 1

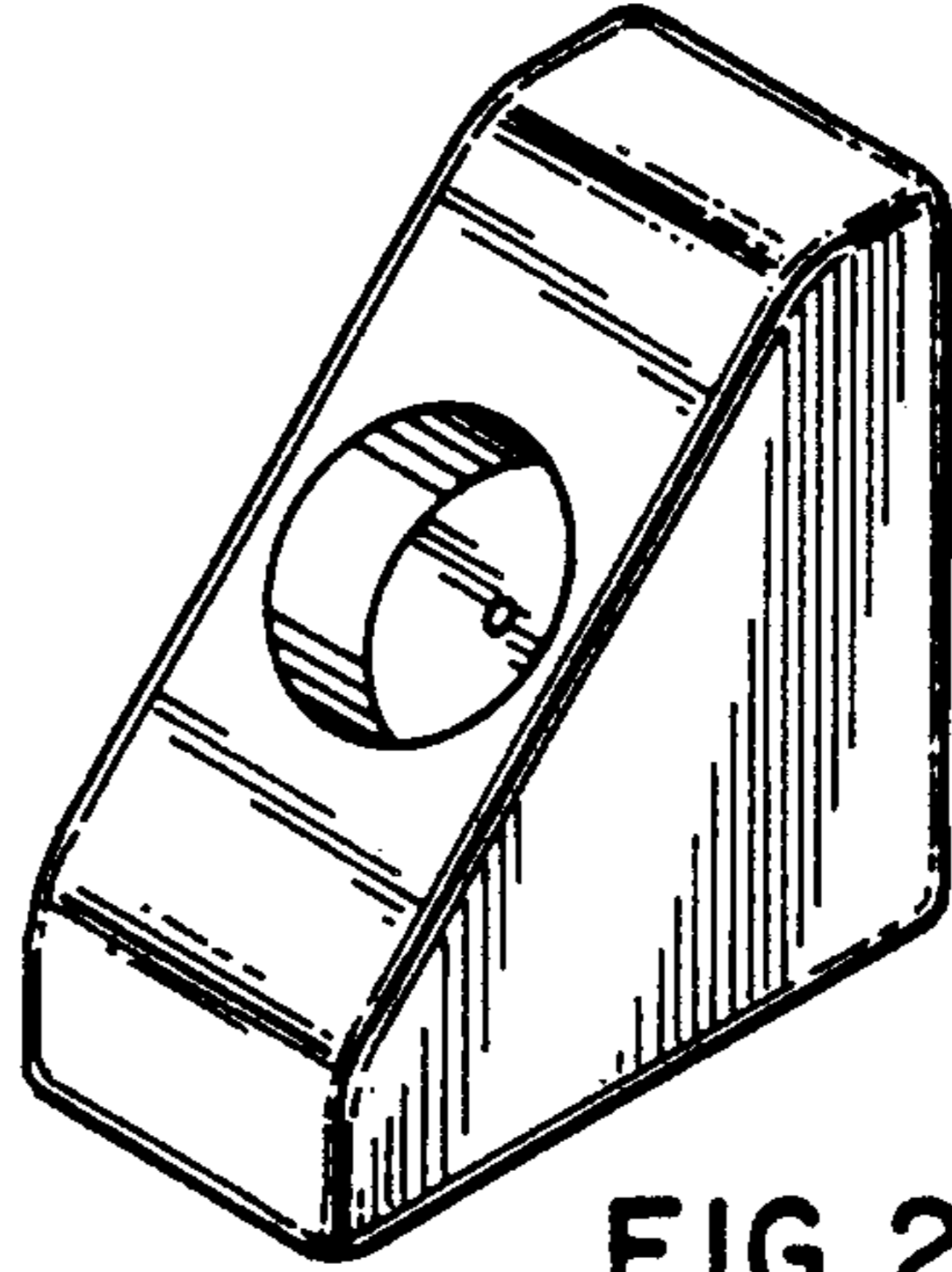


FIG. 2

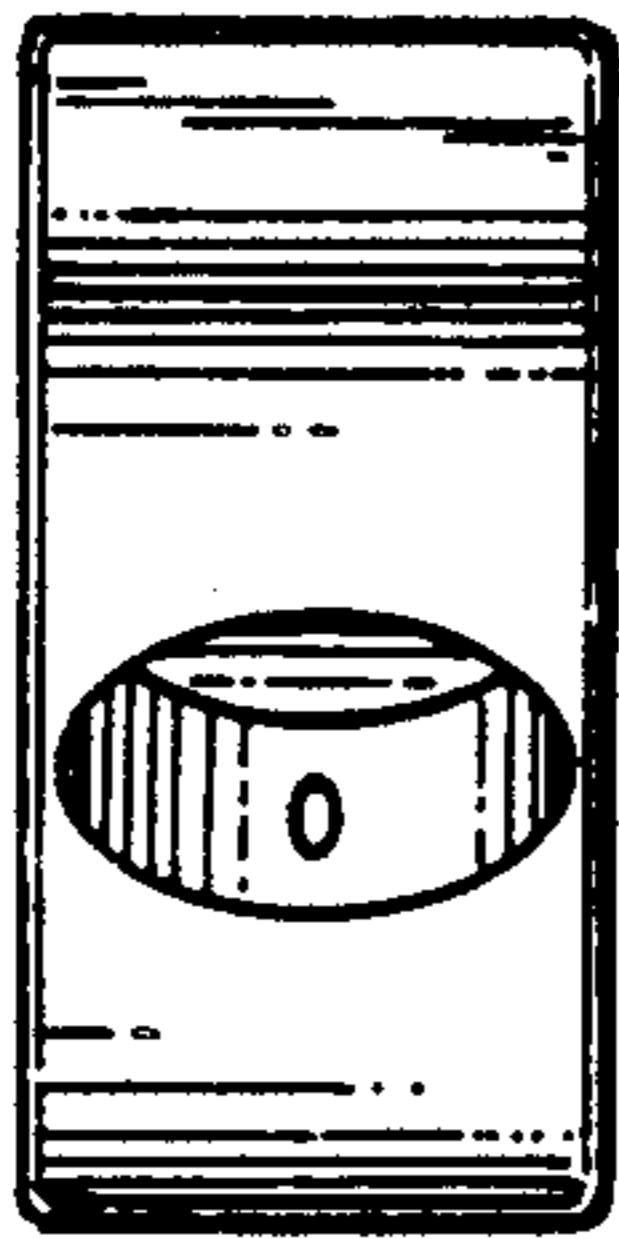


FIG. 3

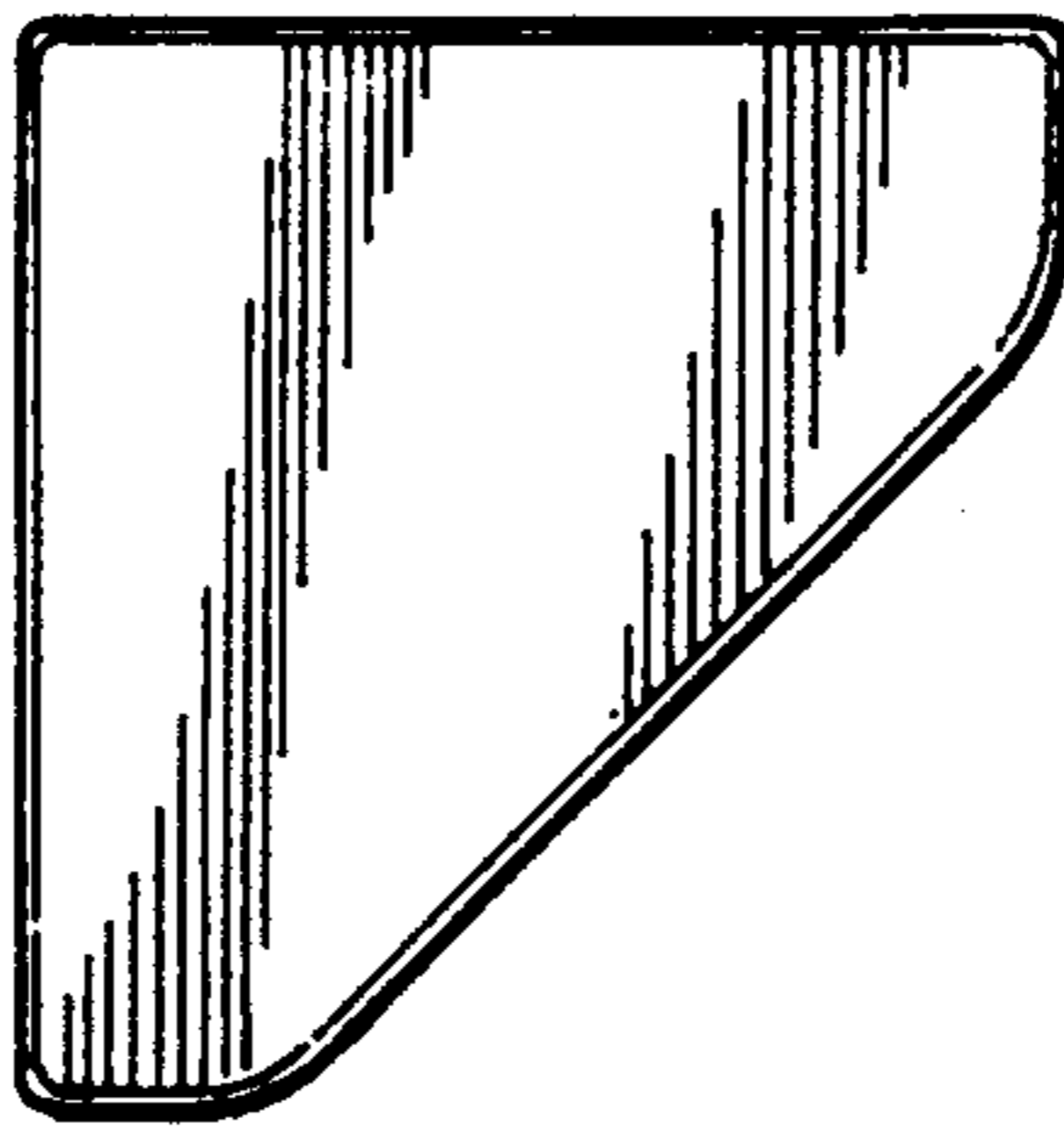


FIG. 4

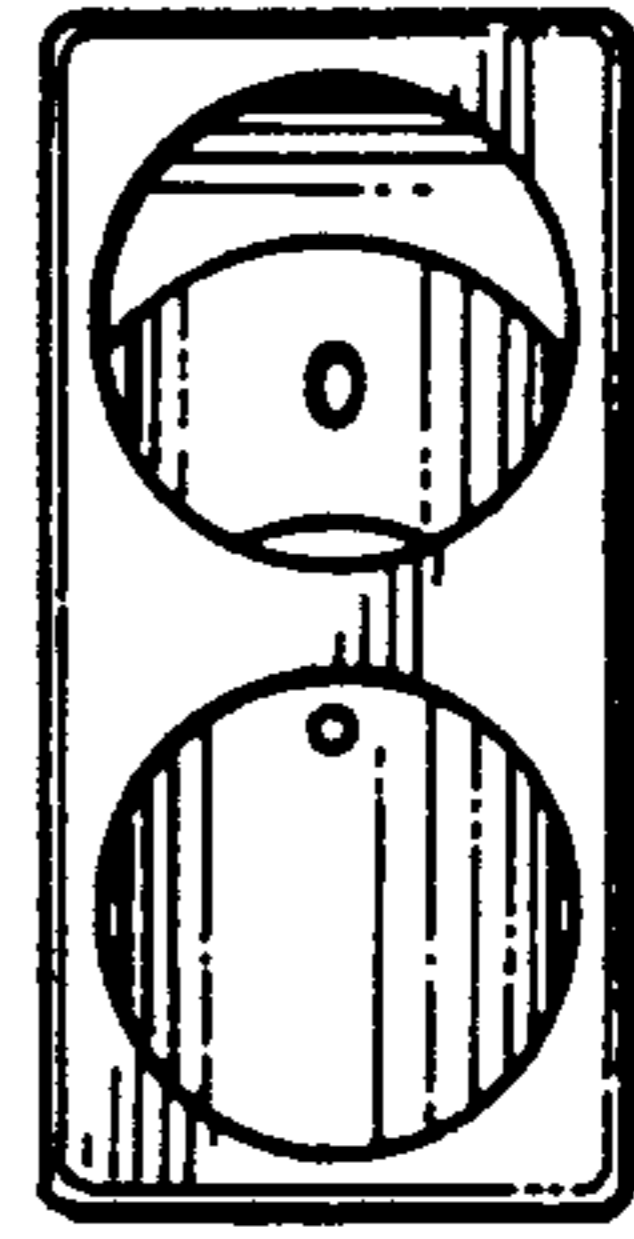


FIG. 5

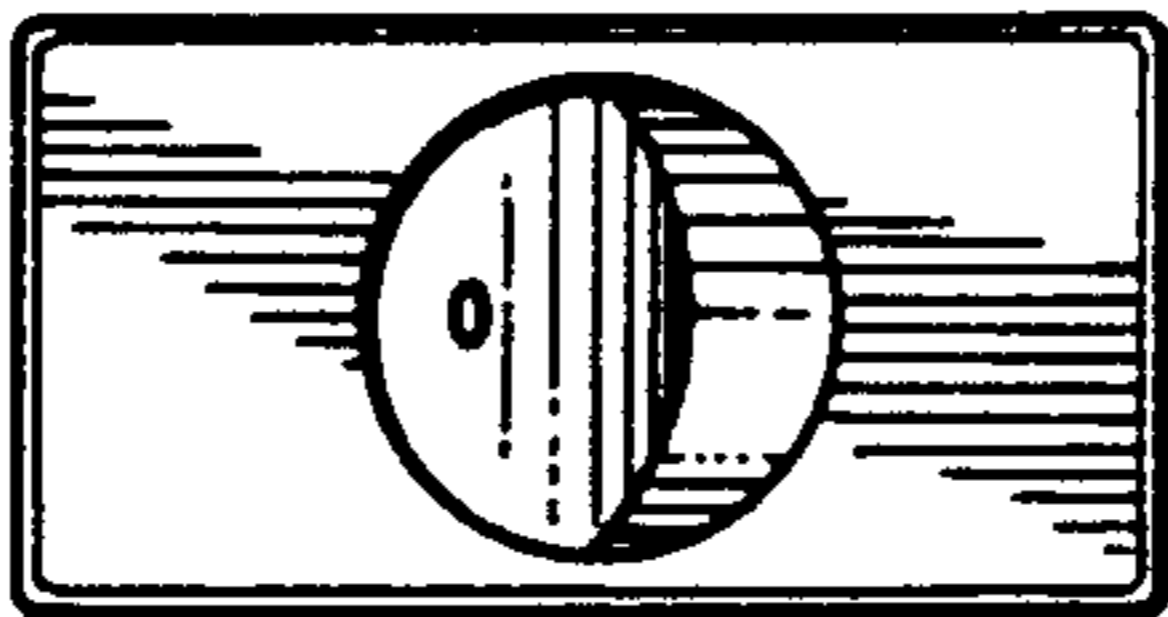


FIG. 6