

[54] **TOY SHOPPING CART**

[75] **Inventor: Miriam Kolker, Buffalo, N.Y.**  
[73] **Assignee: The Quaker Oats Company, Chicago, Ill.**  
[\*\*] **Term: 14 Years**  
[21] **Appl. No.: 421,694**  
[22] **Filed: Oct. 16, 1989**  
[52] **U.S. Cl. .... D21/134**  
[58] **Field of Search ..... D21/128, 134, 136, 140, D21/141, 59, 71; D34/12, 40; 446/465, 470, 451; 280/33.991, 79.2**

[56] **References Cited**  
**U.S. PATENT DOCUMENTS**  
D. 170,759 11/1953 Kesler ..... D21/134  
2,479,530 8/1949 Watson ..... 280/33.991  
3,321,213 5/1967 Shoffner ..... 280/33.991

**OTHER PUBLICATIONS**

Best Catalog 86-87, p. 403, #25.  
Childcraft Spring-Summer 1986, p. 18, lower left.  
Hong Kong Toys '88, p. 789, #2184, #2186.  
Sears Xmas Wishbook 1971, p. 23, center.

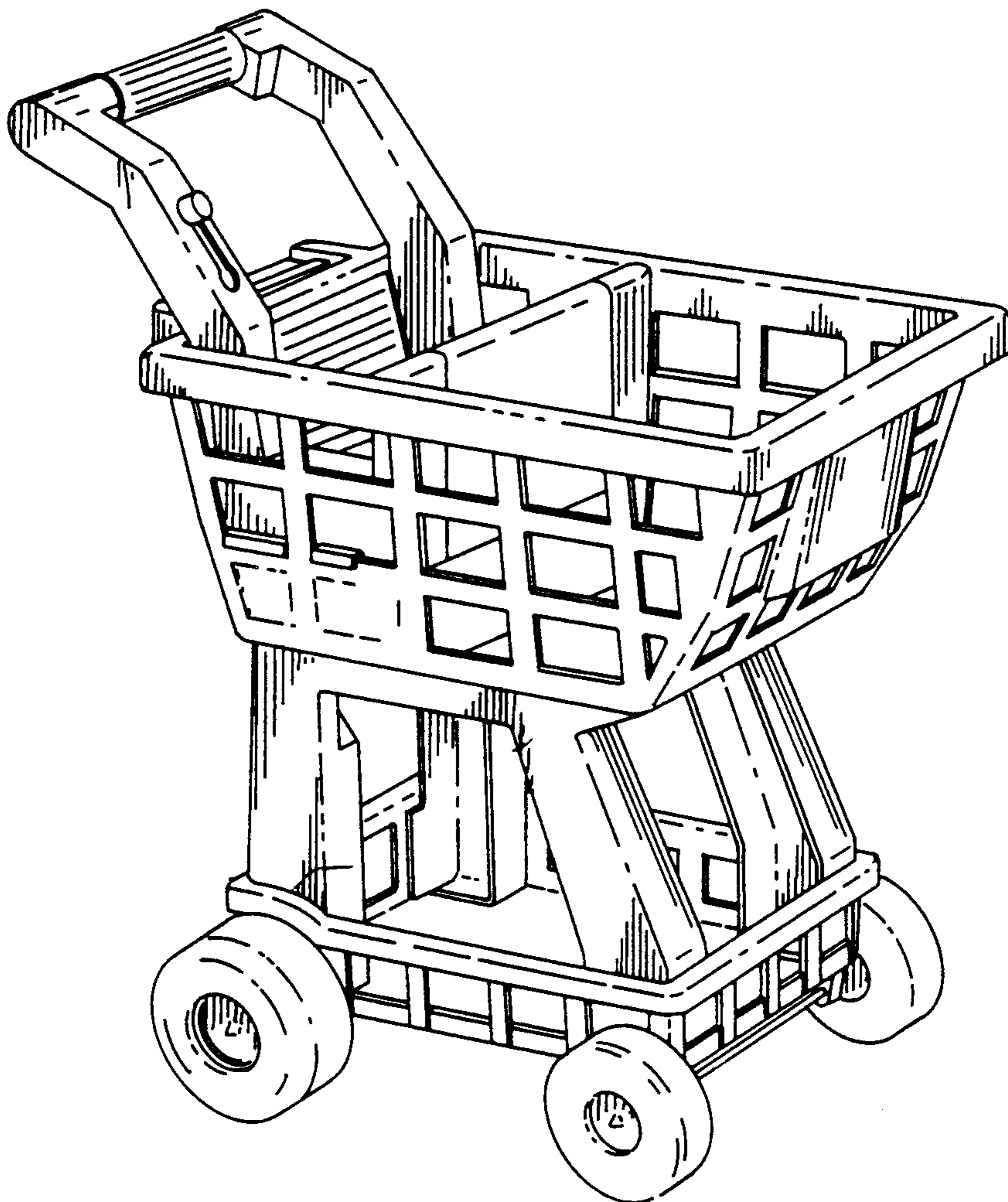
*Primary Examiner*—Charles A. Rademaker  
*Assistant Examiner*—Raphael Barkai  
*Attorney, Agent, or Firm*—Cumpston & Shaw

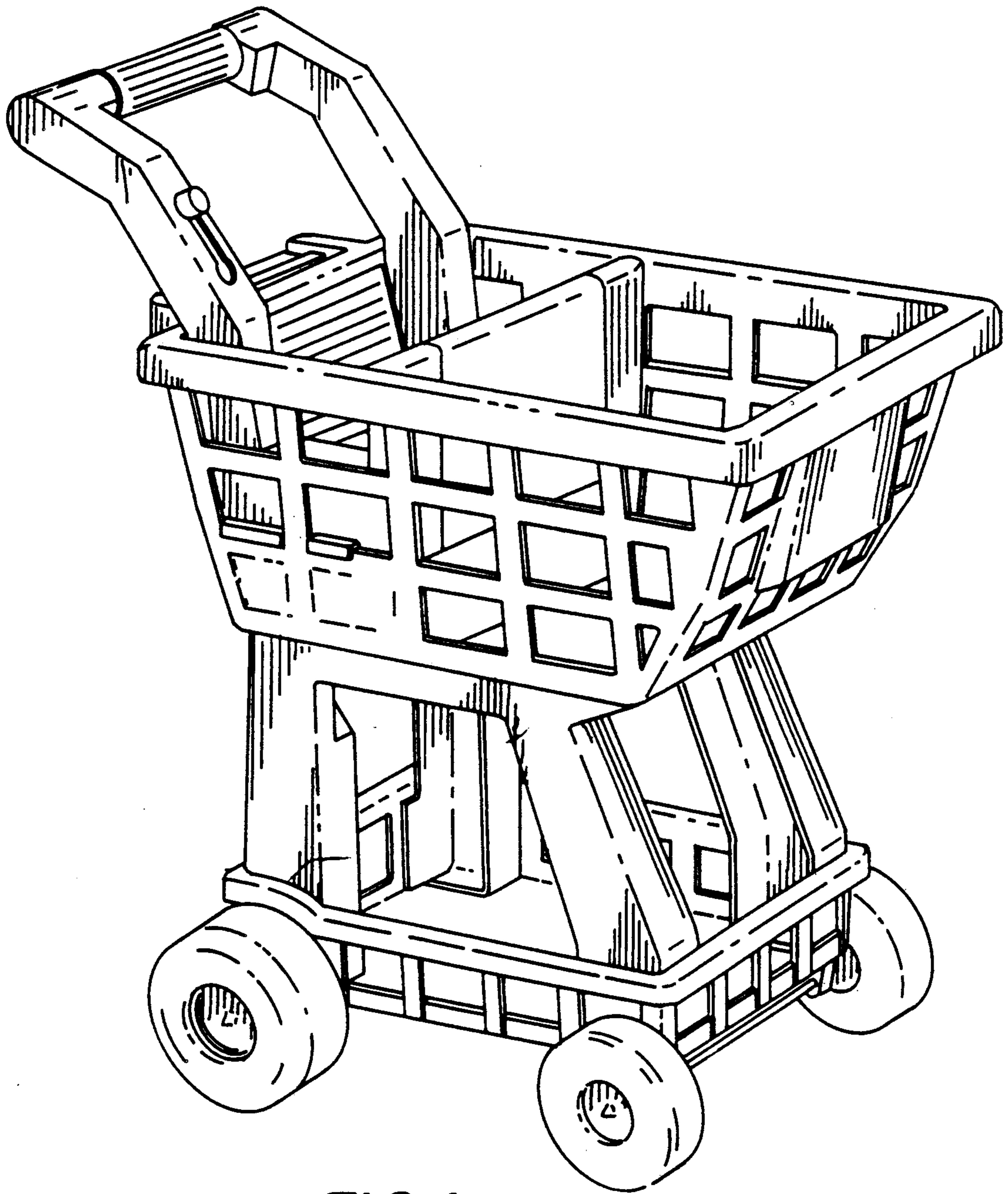
[57] **CLAIM**

The ornamental design for a toy shopping cart, as shown and described.

**DESCRIPTION**

FIG. 1 is a top, front right side perspective view of a toy shopping cart showing my new design; FIG. 2 is a top plan view thereof; FIG. 3 is a bottom plan view thereof; FIG. 4 is a front elevational view thereof; FIG. 5 is a rear elevational view thereof; and FIG. 6 is a right side elevational view thereof; and FIG. 7 is a left side elevational view.





*FIG. 1*

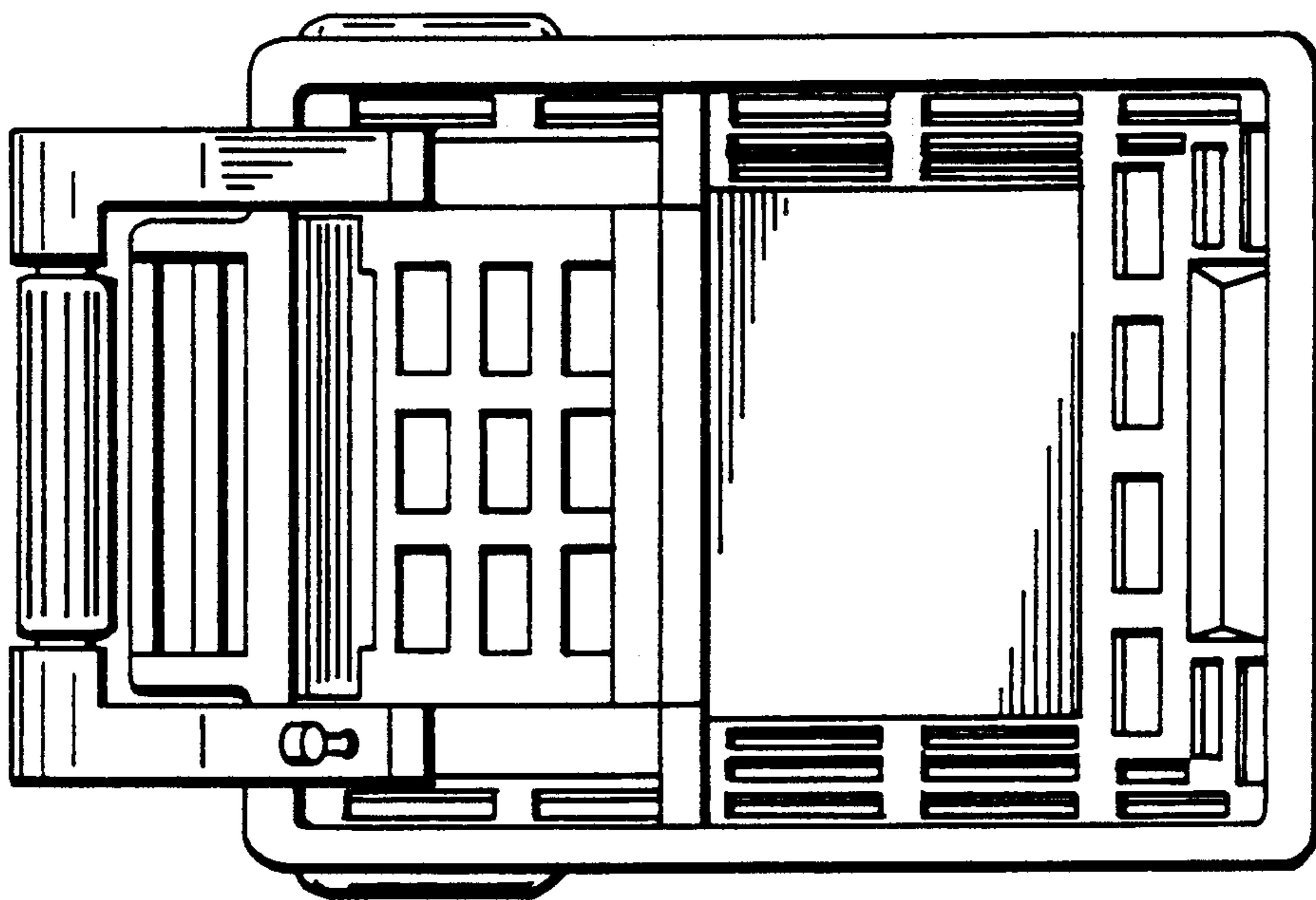


FIG. 2

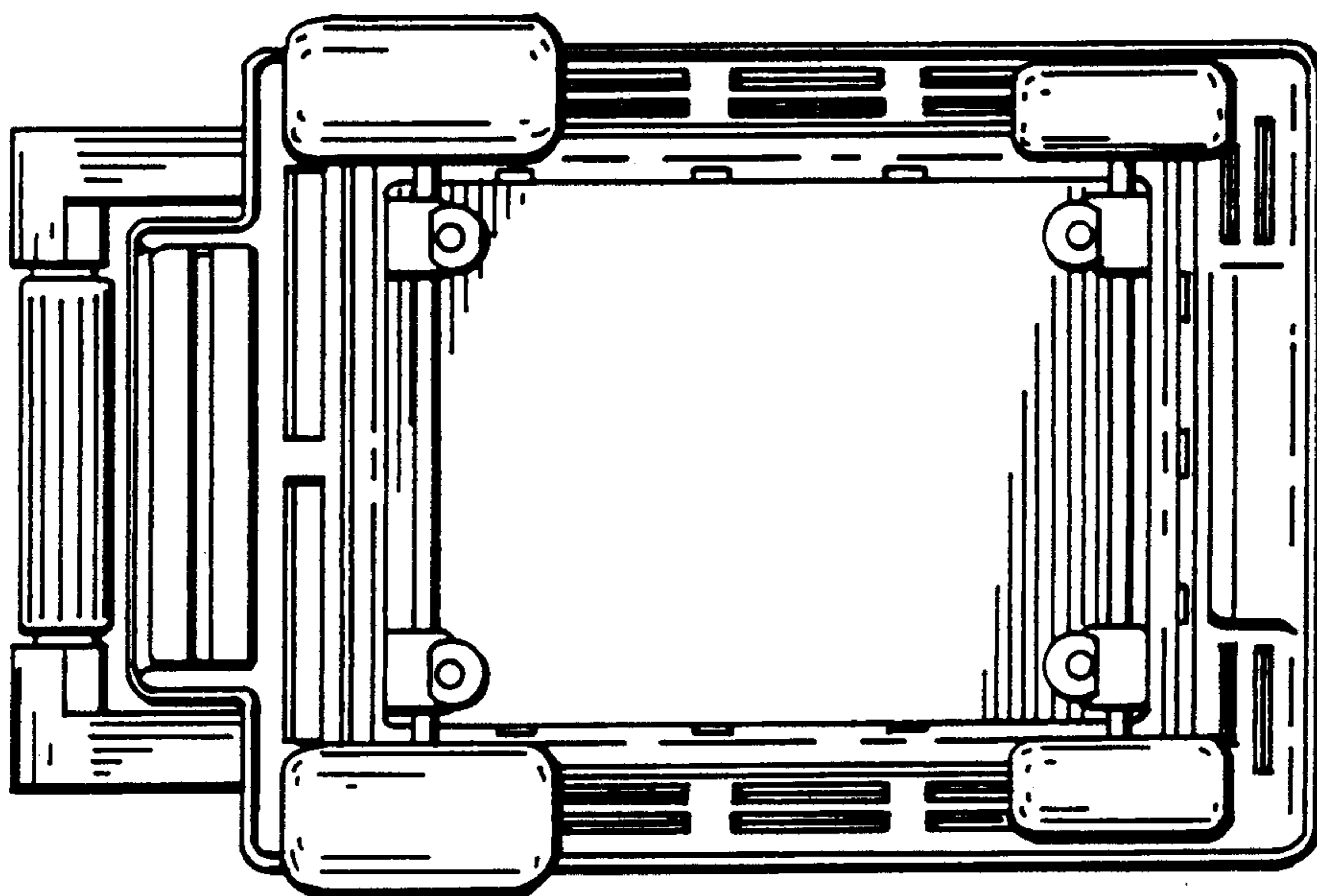


FIG. 3

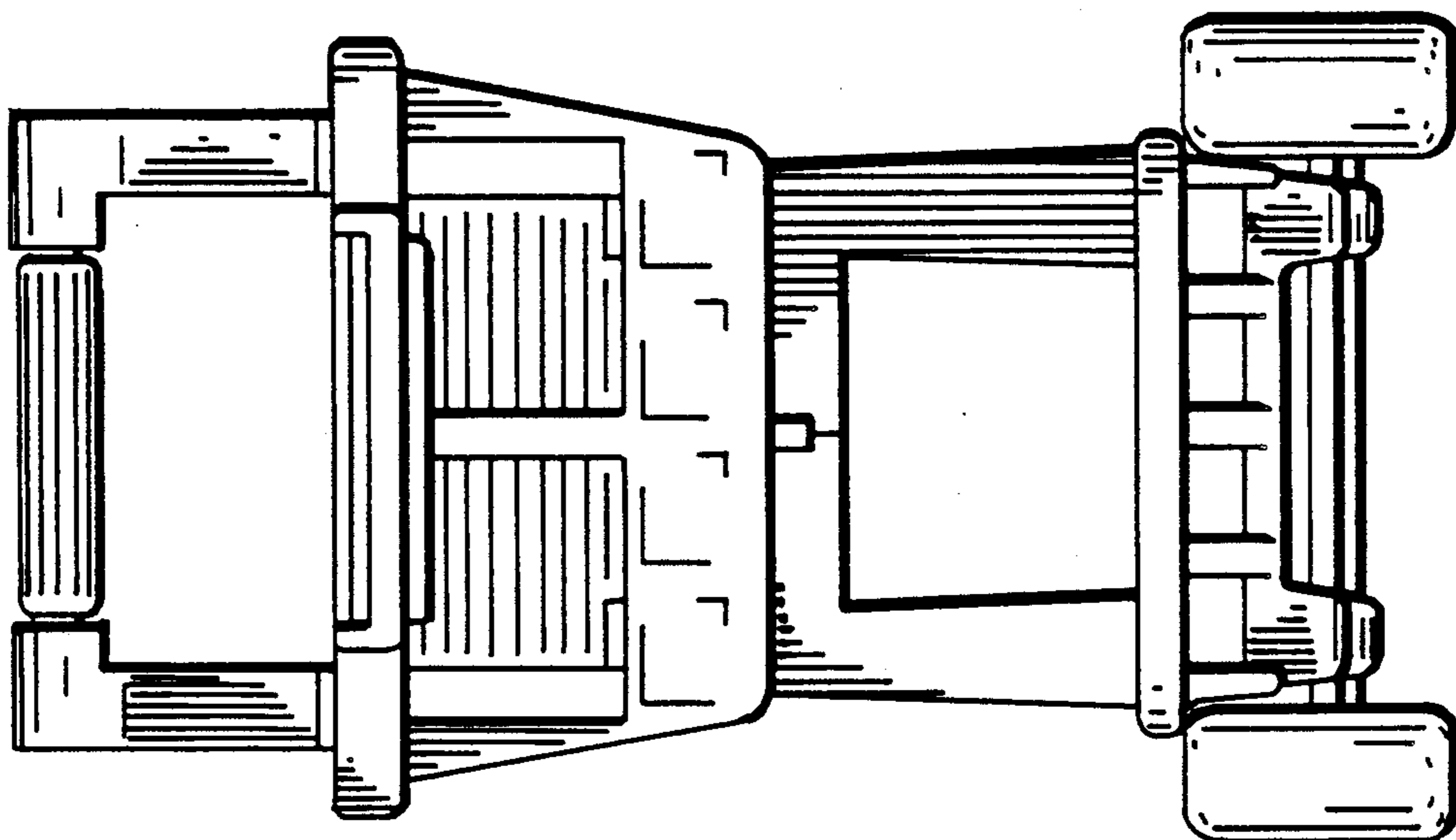


FIG. 5

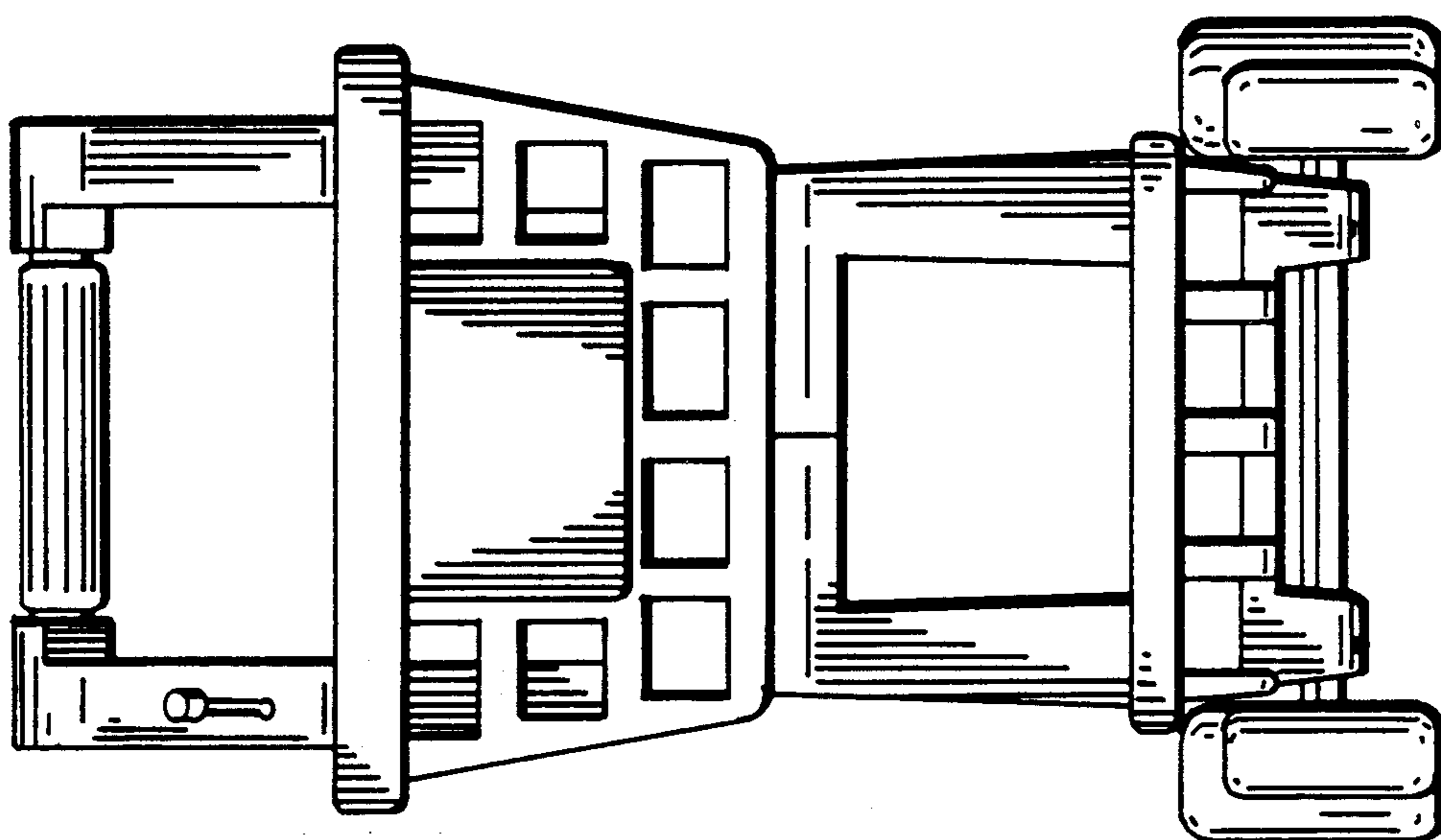


FIG. 4

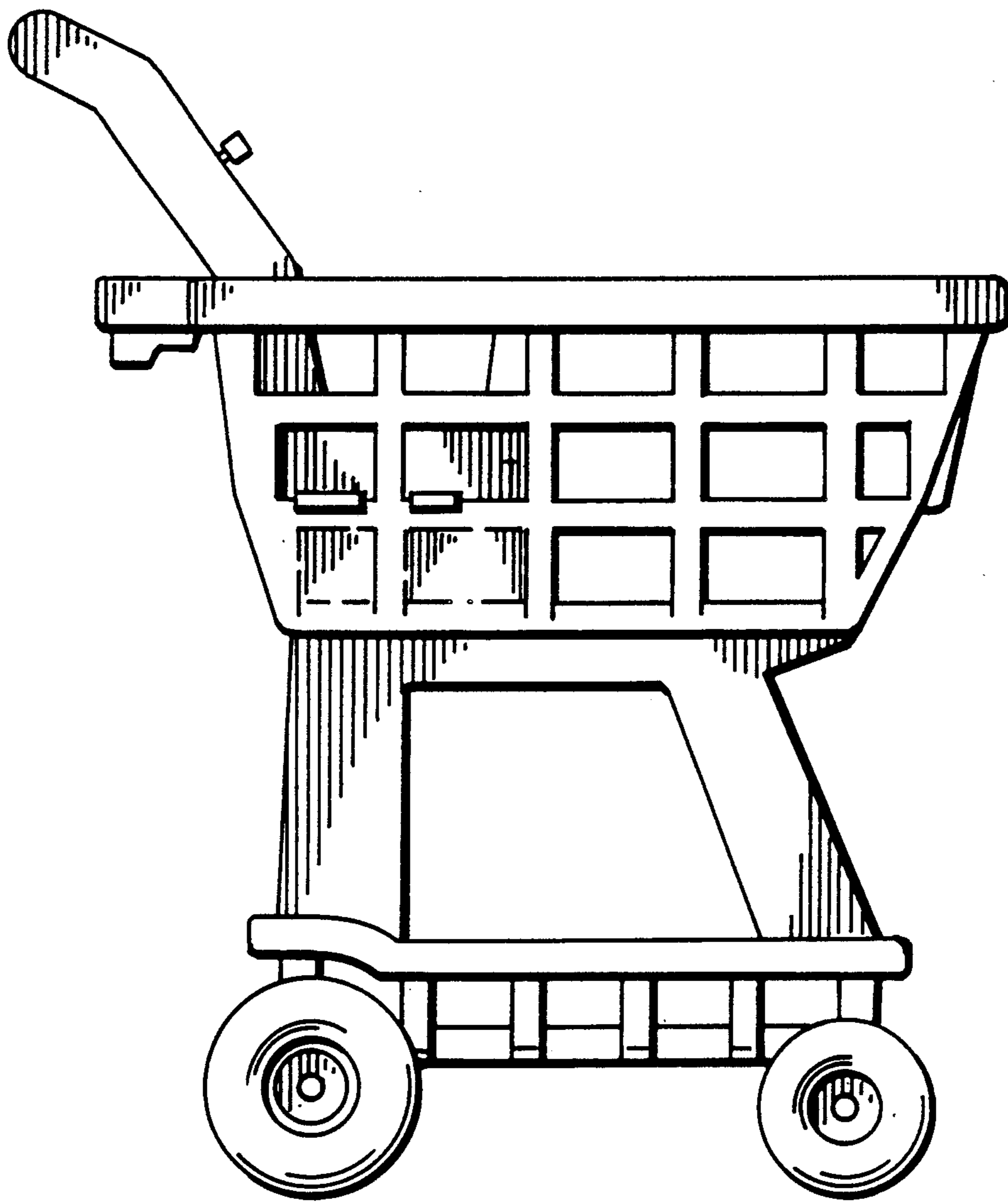
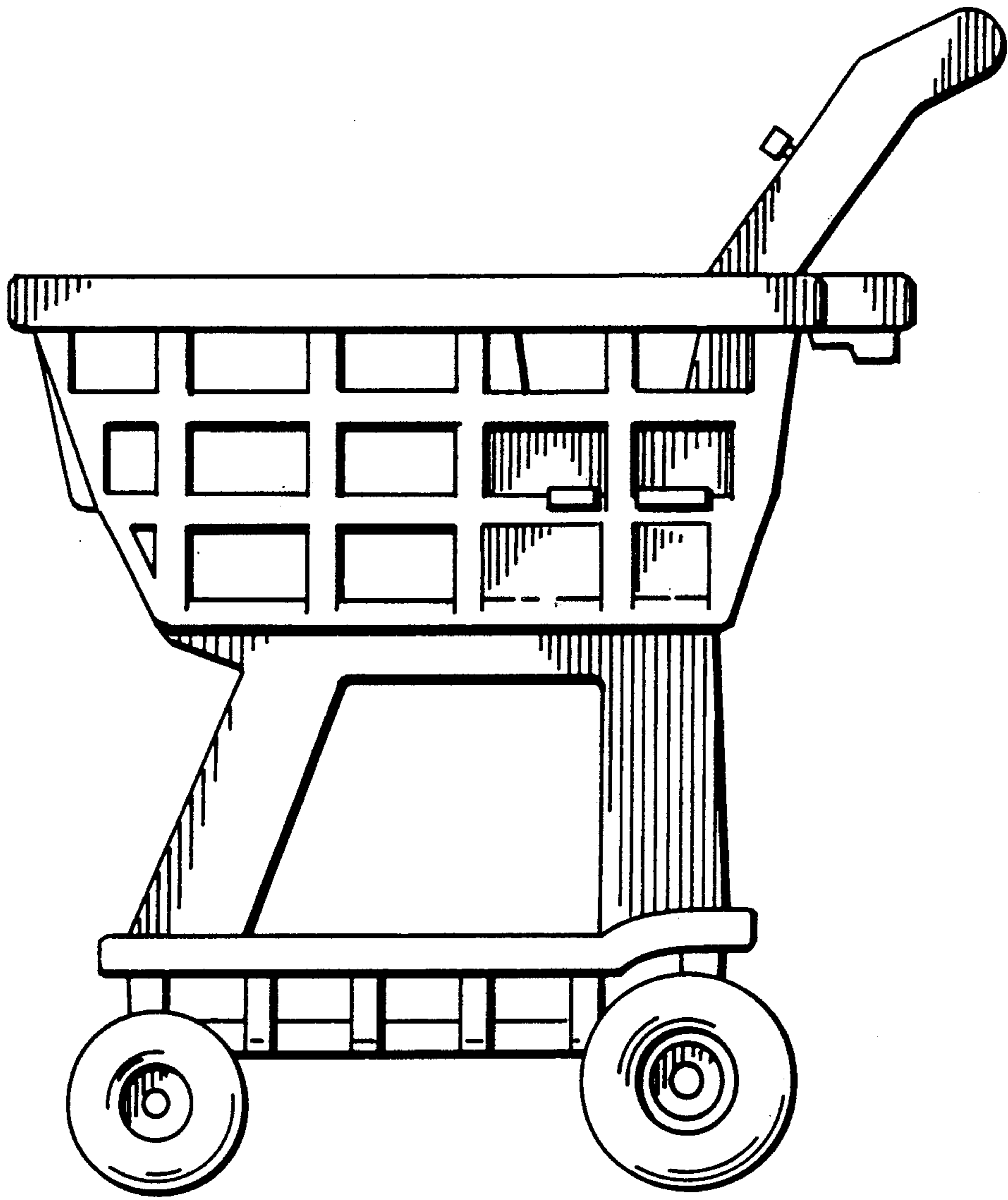


FIG. 6



*FIG. 7*