

[54] **TOY VEHICLE**
[75] **Inventor: Robert Shaw, Piscataway, N.J.**
[73] **Assignee: Kiddie Products, Inc., Avon, Mass.**
[**] **Term: 14 Years**
[21] **Appl. No.: 241,330**
[22] **Filed: Sep. 7, 1988**
[52] **U.S. Cl. D21/128**
[58] **Field of Search D21/71, 78, 128, 132,
D21/134, 136, 137, 139; 446/71, 72, 78, 434,
447, 450, 451, 454, 465, 470**

D. 282,091 1/1986 Nakao et al. D21/128
D. 283,524 4/1986 Petrosky D21/128

OTHER PUBLICATIONS

Tonka Catalog, 1974, p. 2, No. 5500, Rolling Toys.
International Playthings, 1984, p. 12, Rolling Toys.

Primary Examiner—Melvin B. Feifer
Assistant Examiner—Philip Hyder

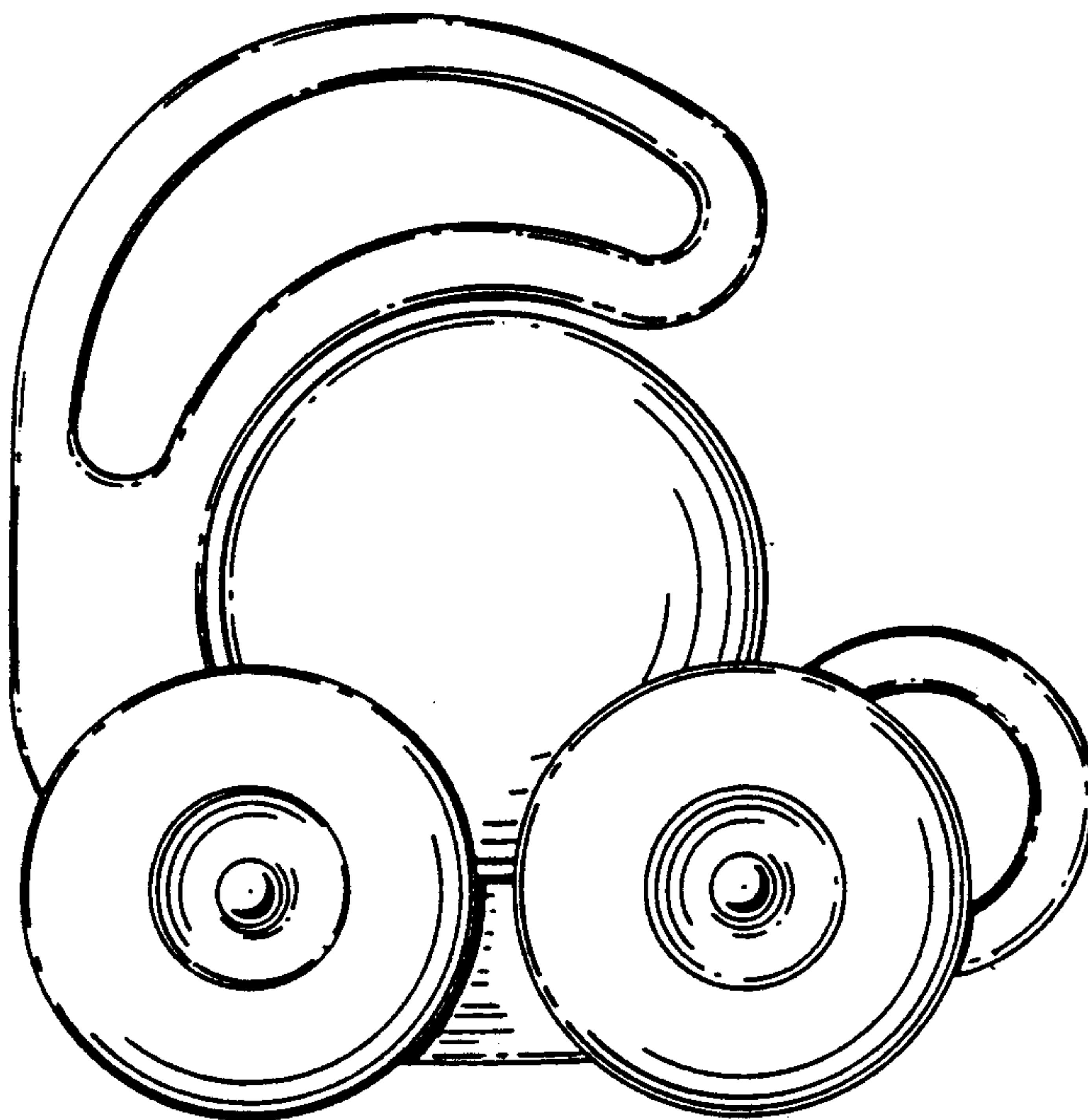
[57] **CLAIM**

The ornamental design for a toy vehicle, as shown.

DESCRIPTION

FIG. 1 is a top plan view of a toy vehicle showing my new design;
FIG. 2 is a left side elevation view thereof;
FIG. 3 is a front elevation view thereof;
FIG. 4 is a rear elevation view thereof;
FIG. 5 is a right side elevation view thereof; and
FIG. 6 is a bottom plan view thereof.

[56] **References Cited**
U.S. PATENT DOCUMENTS
D. 227,795 7/1973 Seymour D21/128
D. 261,632 11/1981 Karkanen D21/128
D. 276,172 10/1984 Murakami D21/128



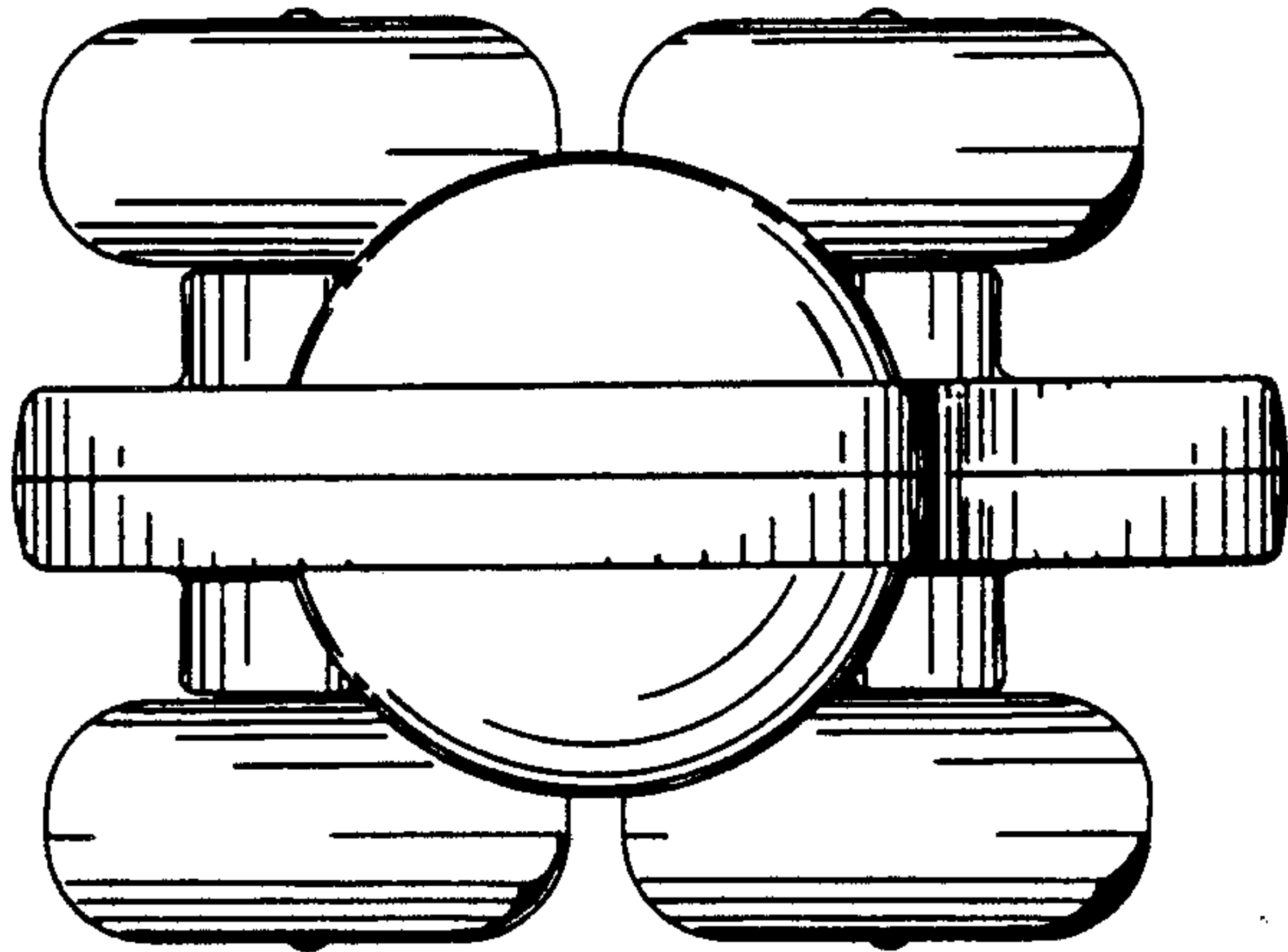


FIG. 1

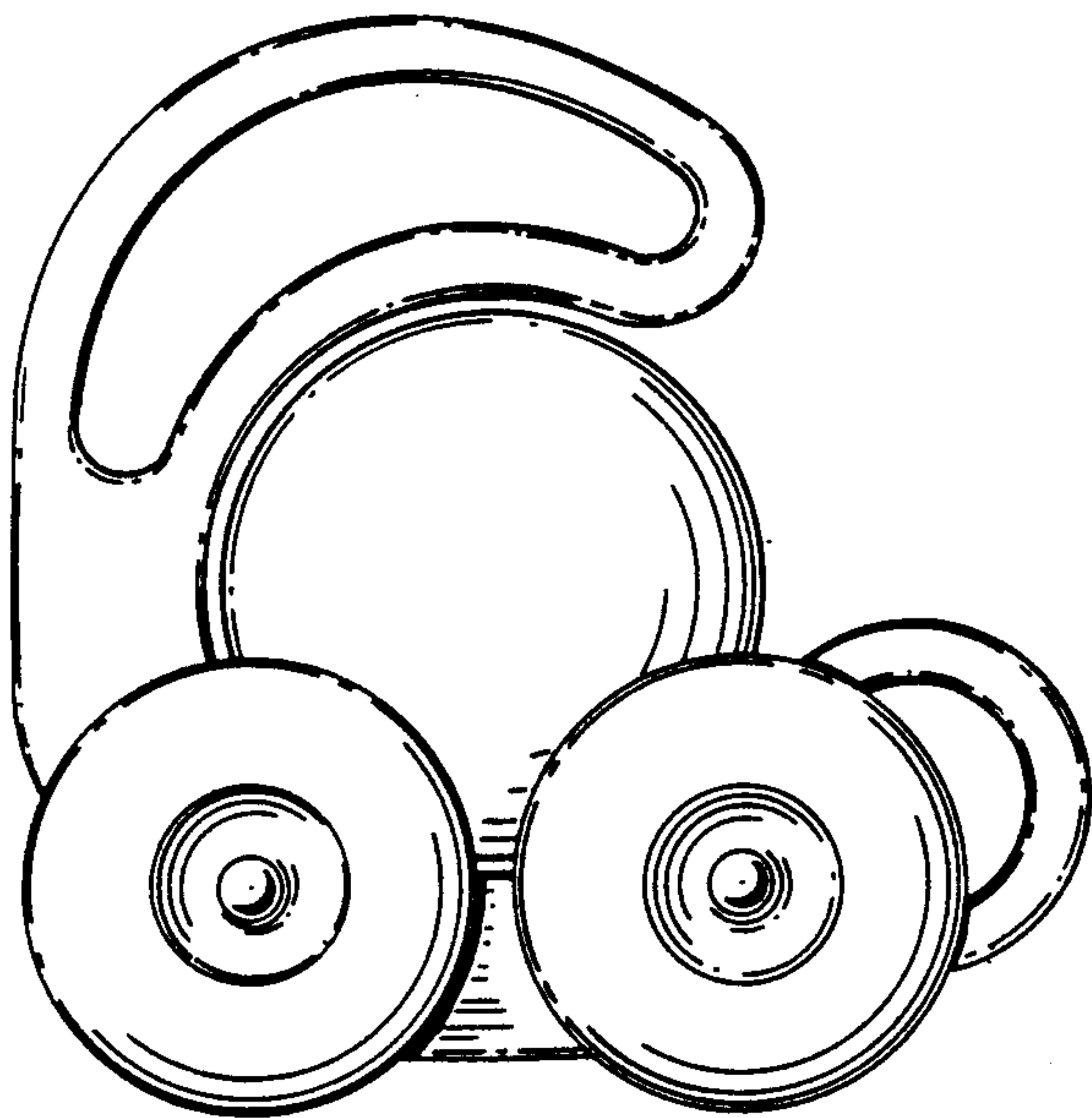


FIG. 2

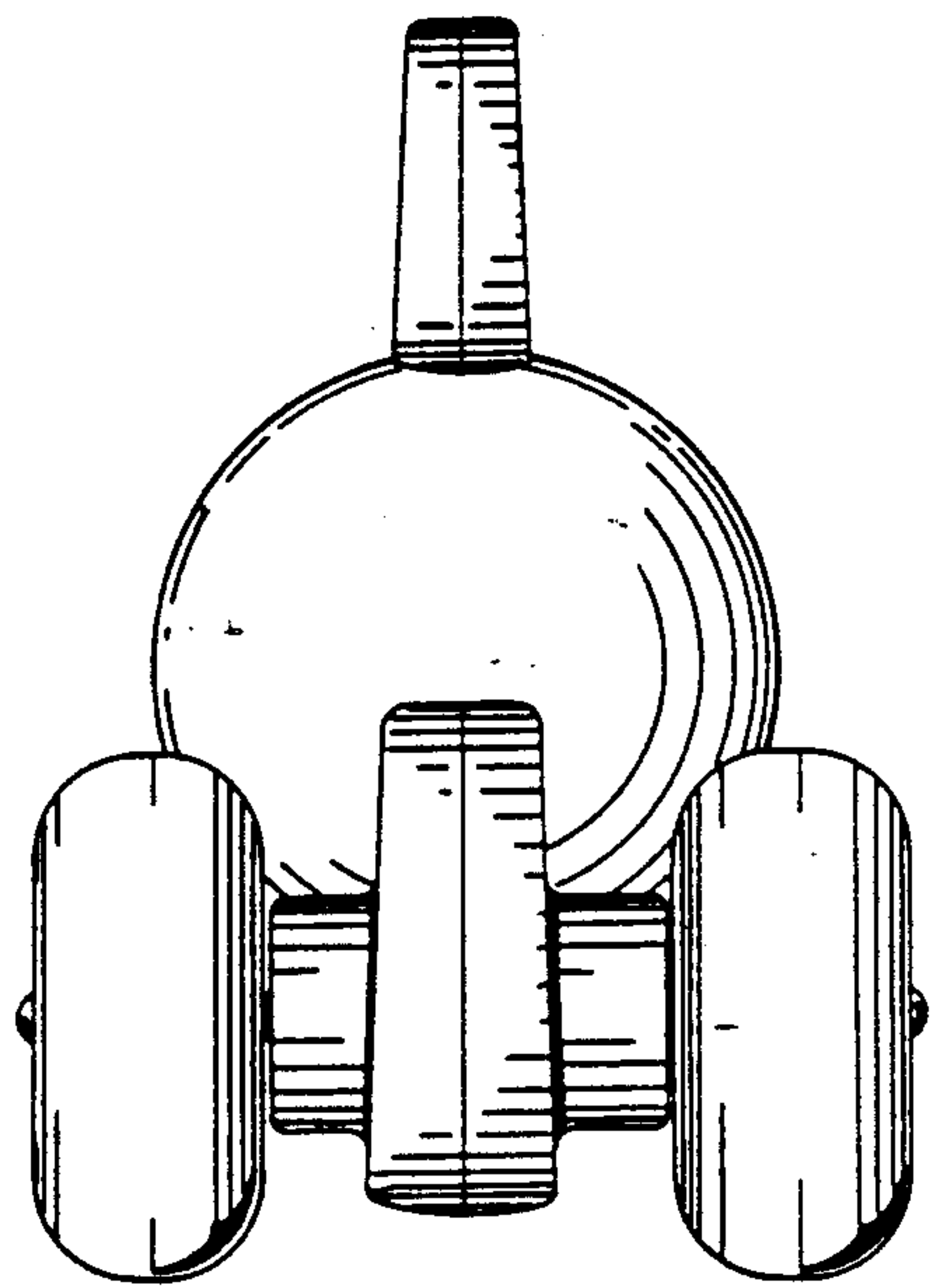


FIG. 3

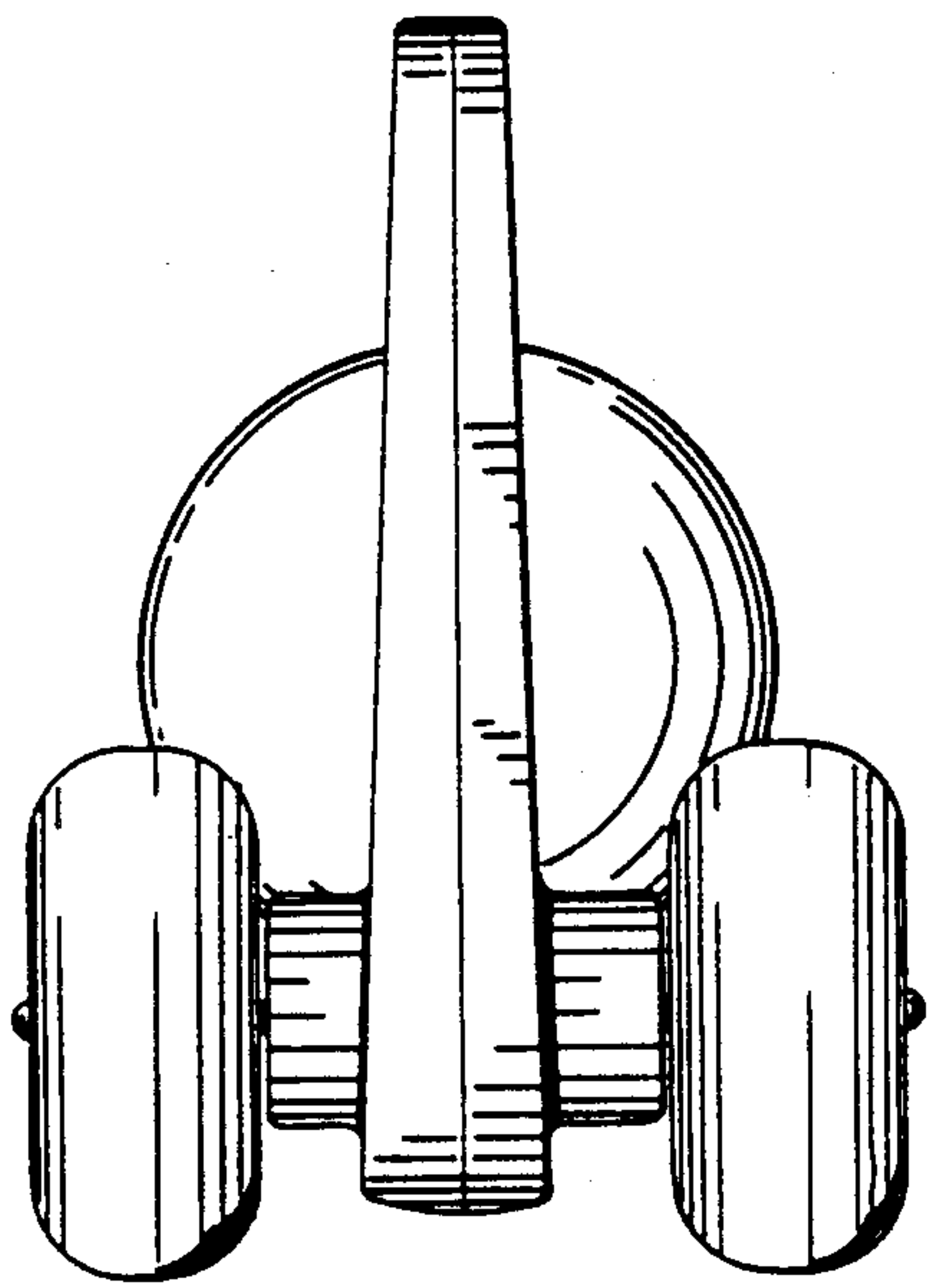


FIG. 4

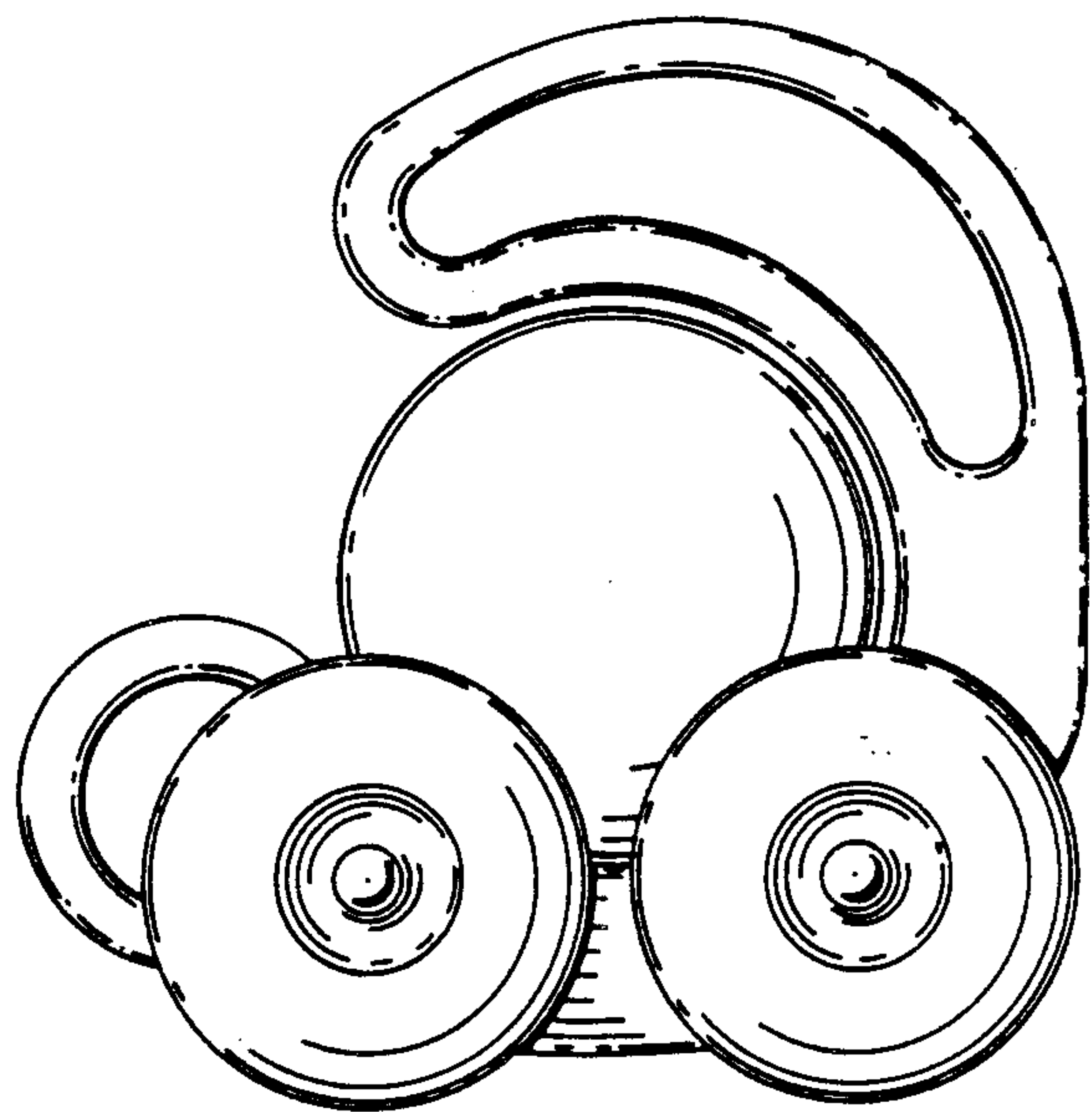


FIG. 5

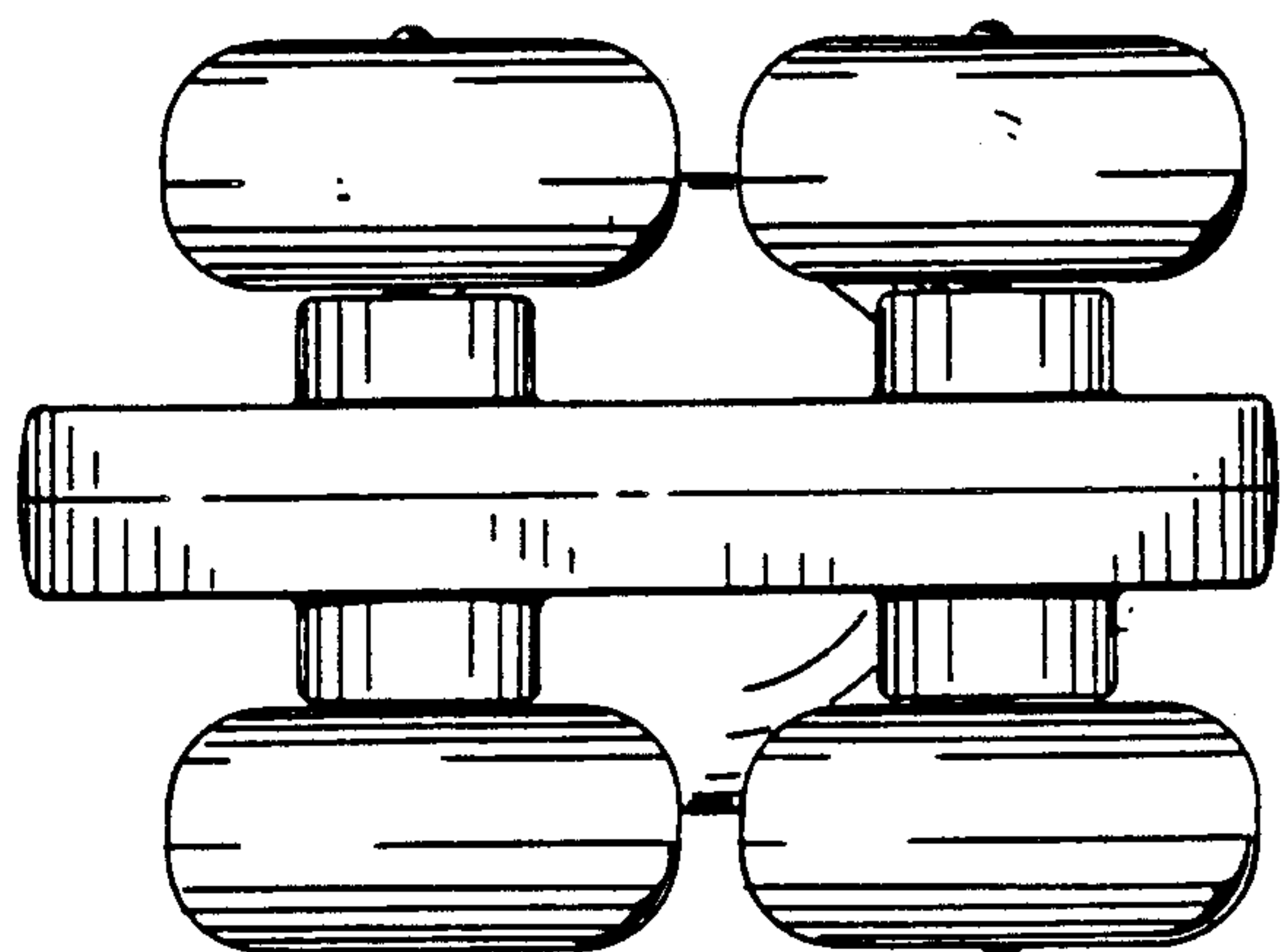


FIG. 6