

[54] **TOY BUILDING BLOCK**

[76] **Inventor:** Anton Meyer, Gratznerstrasse 3,  
D-8000 Ingolstadt 2, Fed. Rep. of  
Germany

[\*\*] **Term:** 14 Years

[21] **Appl. No.:** 489,591

[22] **Filed:** Mar. 6, 1990

**Related U.S. Application Data**

[62] Division of Ser. No. 151,804, Feb. 3, 1988.

[30] **Foreign Application Priority Data**

Aug. 5, 1987 [DE] Fed. Rep. of Germany ..... 10-17335  
[52] **U.S. Cl.** ..... **D21/108**  
[58] **Field of Search** ..... D21/59, 99, 108, 114,  
D21/117, 118, 119, 129; 446/85, 88, 93, 103,  
108, 115, 118, 124, 128, 126

[56] **References Cited**

**U.S. PATENT DOCUMENTS**

D. 272,255 1/1984 Chatani et al. .... D21/108  
4,758,195 7/1988 Walsh ..... 446/85

**FOREIGN PATENT DOCUMENTS**

248832 3/1948 Switzerland ..... 446/118  
583129 12/1946 United Kingdom ..... 446/124

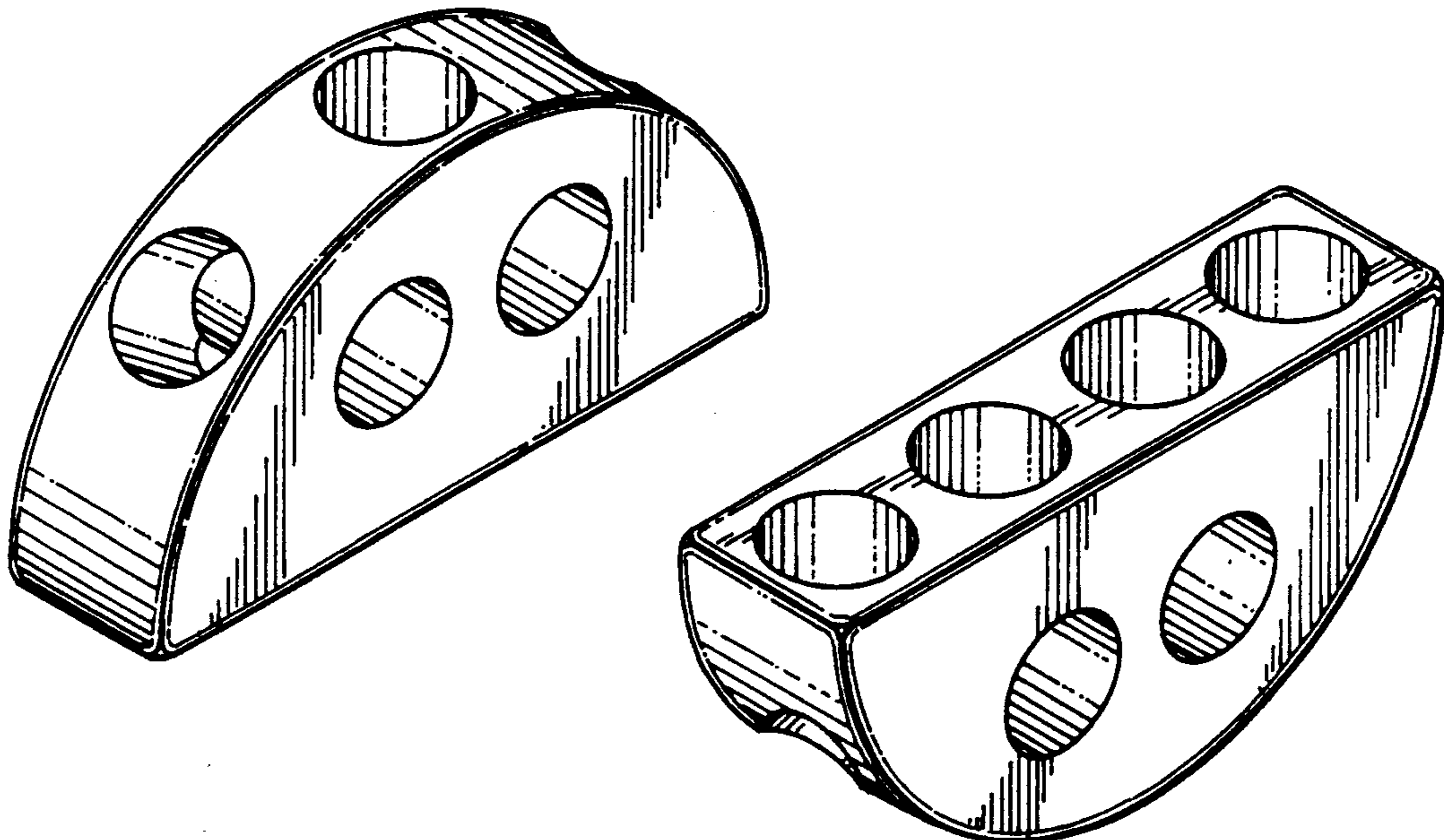
*Primary Examiner*—Charles A. Rademaker  
*Attorney, Agent, or Firm*—Dellett, Smith-Hill and Bedell

[57] **CLAIM**

The ornamental design for a toy building block, as shown and described.

**DESCRIPTION**

FIG. 1 is a top perspective view of a toy building block showing my new design;  
FIG. 2 is a bottom perspective view thereof;  
FIG. 3 is a bottom plan view thereof;  
FIG. 4 is a side elevational view thereof, the side opposite being identical;  
FIG. 5 is a top plan view thereof; and  
FIG. 6 is an end elevational view thereof; the side opposite being identical.



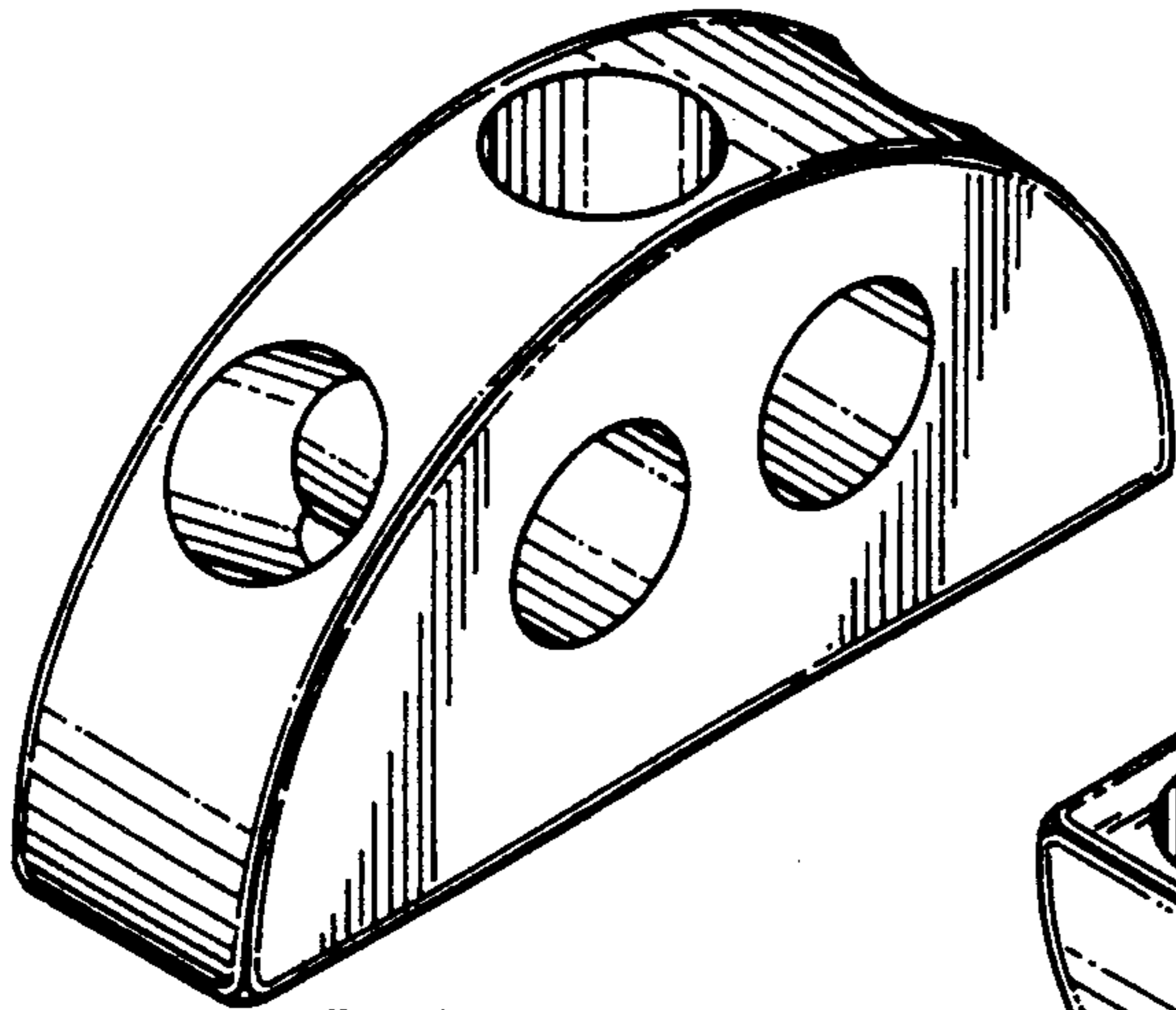


FIG. 1

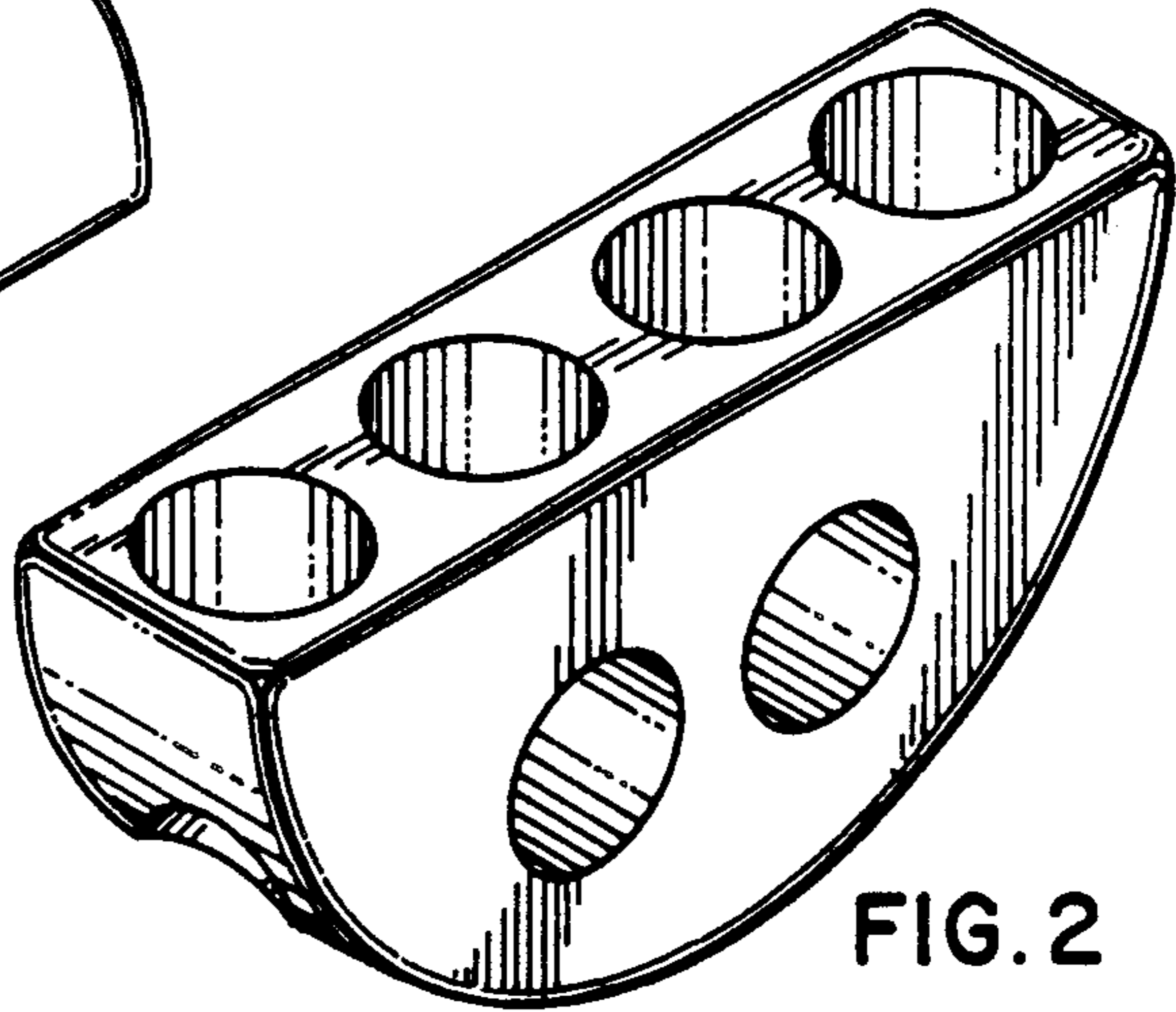


FIG. 2

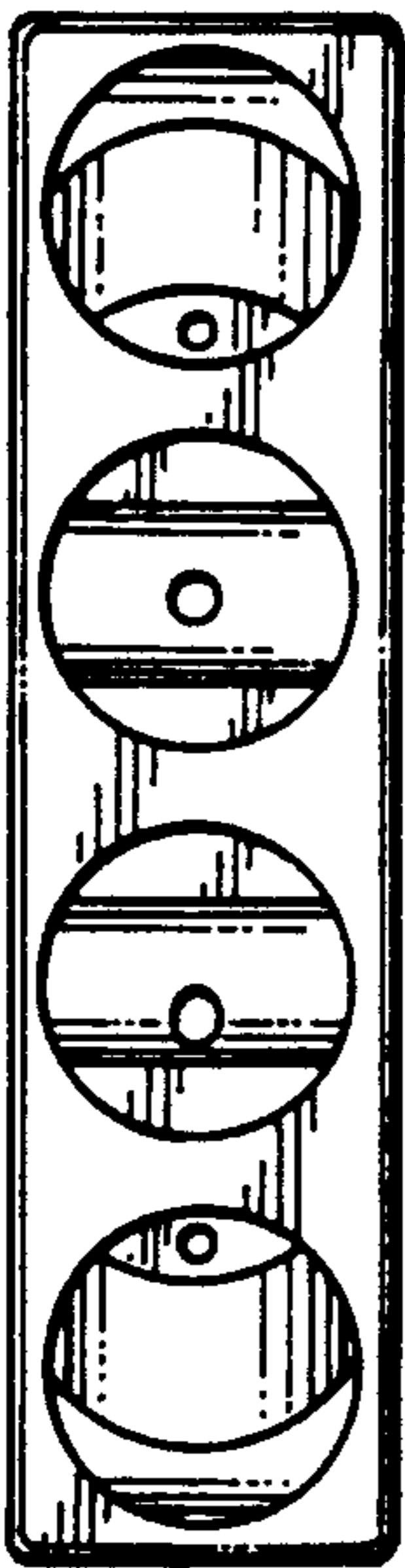


FIG. 3

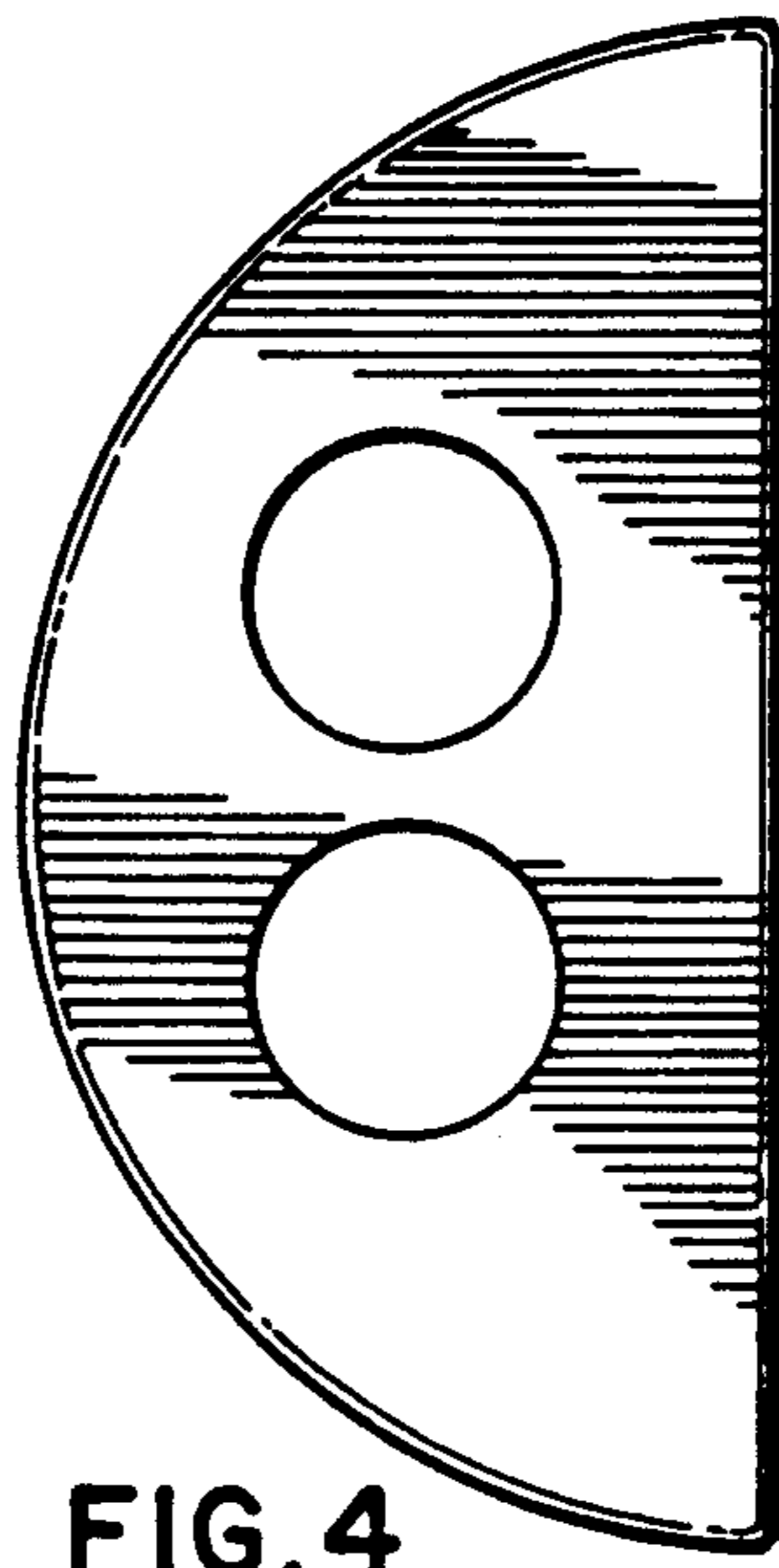


FIG. 4



FIG. 5

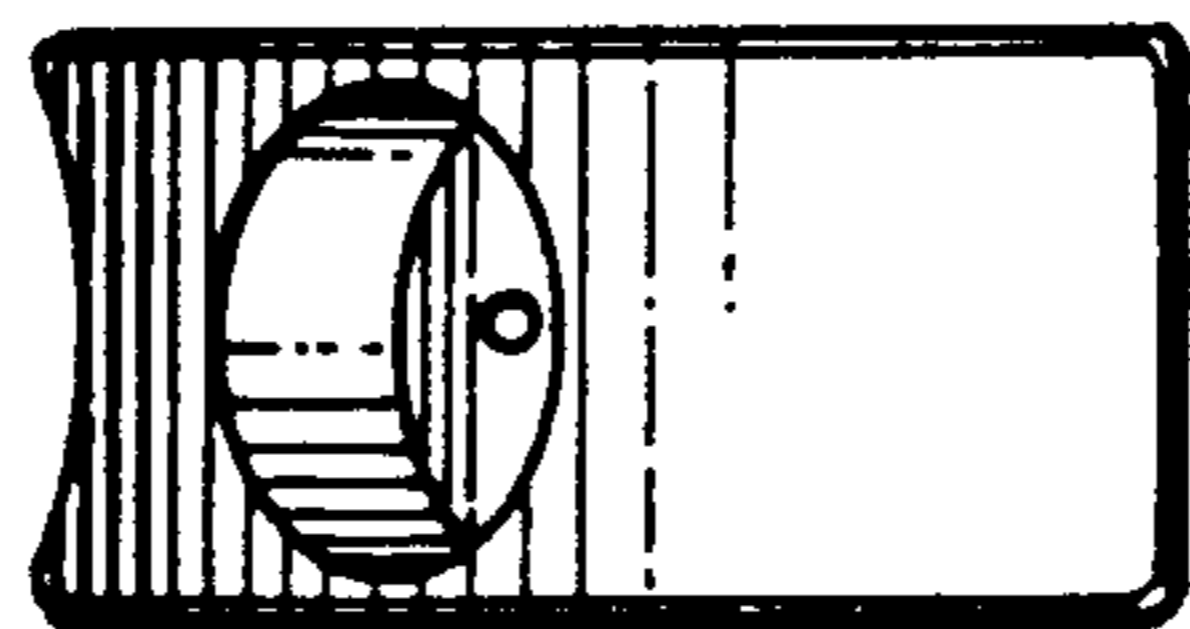


FIG. 6