

[54] TOY CIRCUS WHEEL

[75] Inventor: Ib H. Berggreen, Vedbaek, Denmark

[73] Assignee: Interlego AG, Switzerland

[**] Term: 14 Years

[21] Appl. No.: 277,907

[22] Filed: Nov. 29, 1988

[52] U.S. Cl. D21/108

[58] Field of Search D21/108, 248, 249; 446/85, 93, 94, 111, 113, 118, 120-121, 122-124, 103, 125; 272/40, 41

[56] References Cited

U.S. PATENT DOCUMENTS

D. 285,592 9/1986 Kushner D21/108 X
3,881,274 5/1975 Kanda 446/103

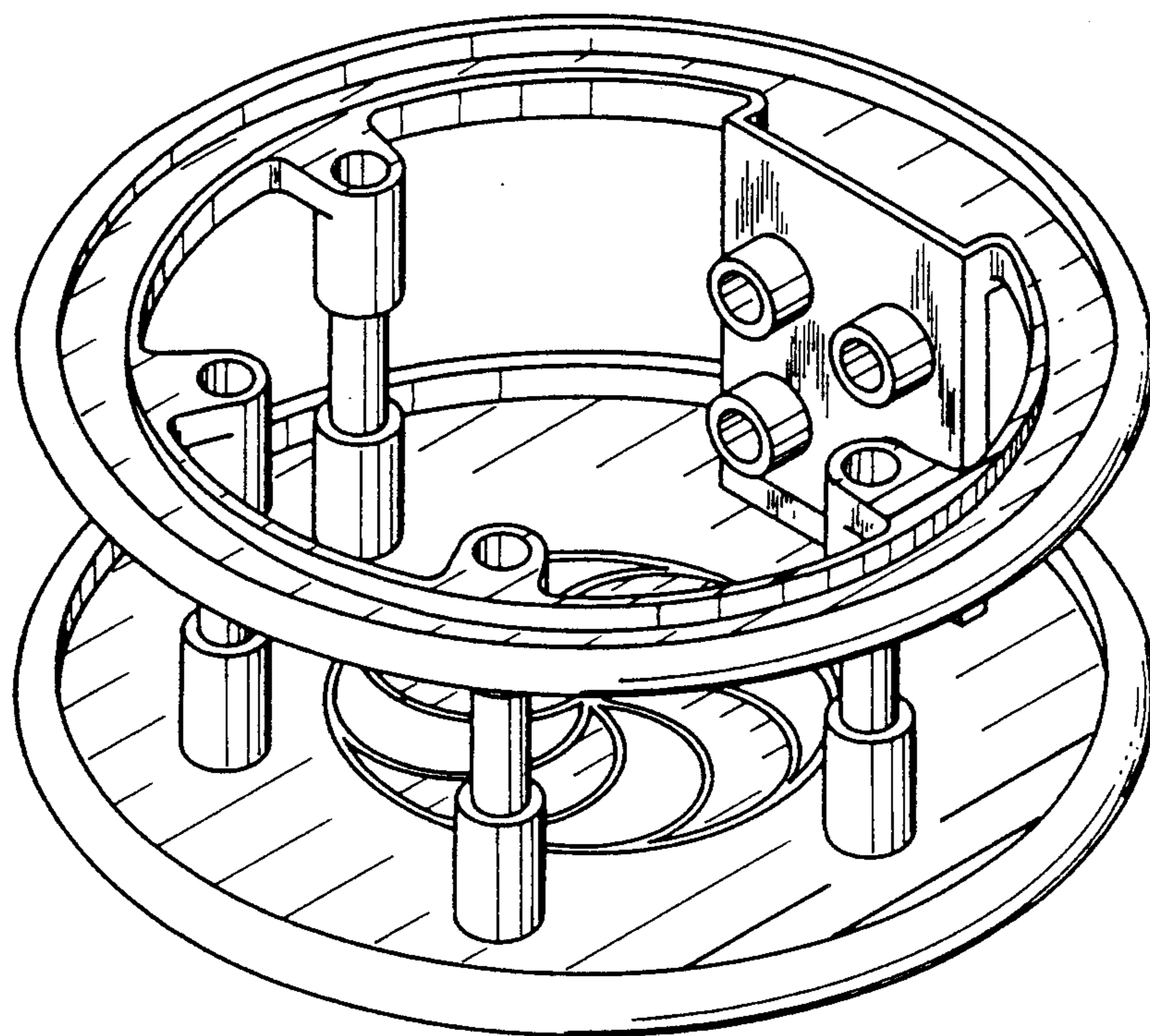
Primary Examiner—Bernard Ansher
Assistant Examiner—Terry A. Pfeffer
Attorney, Agent, or Firm—Kane, Dalsimer, Sullivan,
Kurucz, Levy, Eisele and Richard

[57] CLAIM

The ornamental design for the toy circus wheel, as shown and described.

DESCRIPTION

FIG. 1 is a perspective view of the toy circus wheel showing my new design;
FIG. 2 is a perspective view of the opposite side thereof;
FIG. 3 is a left side view thereof;
FIG. 4 is a right side view thereof;
FIG. 5 is a top plan view thereof;
FIG. 6 is a bottom plan view thereof;
FIG. 7 is a front view thereof, the rear view being identical.



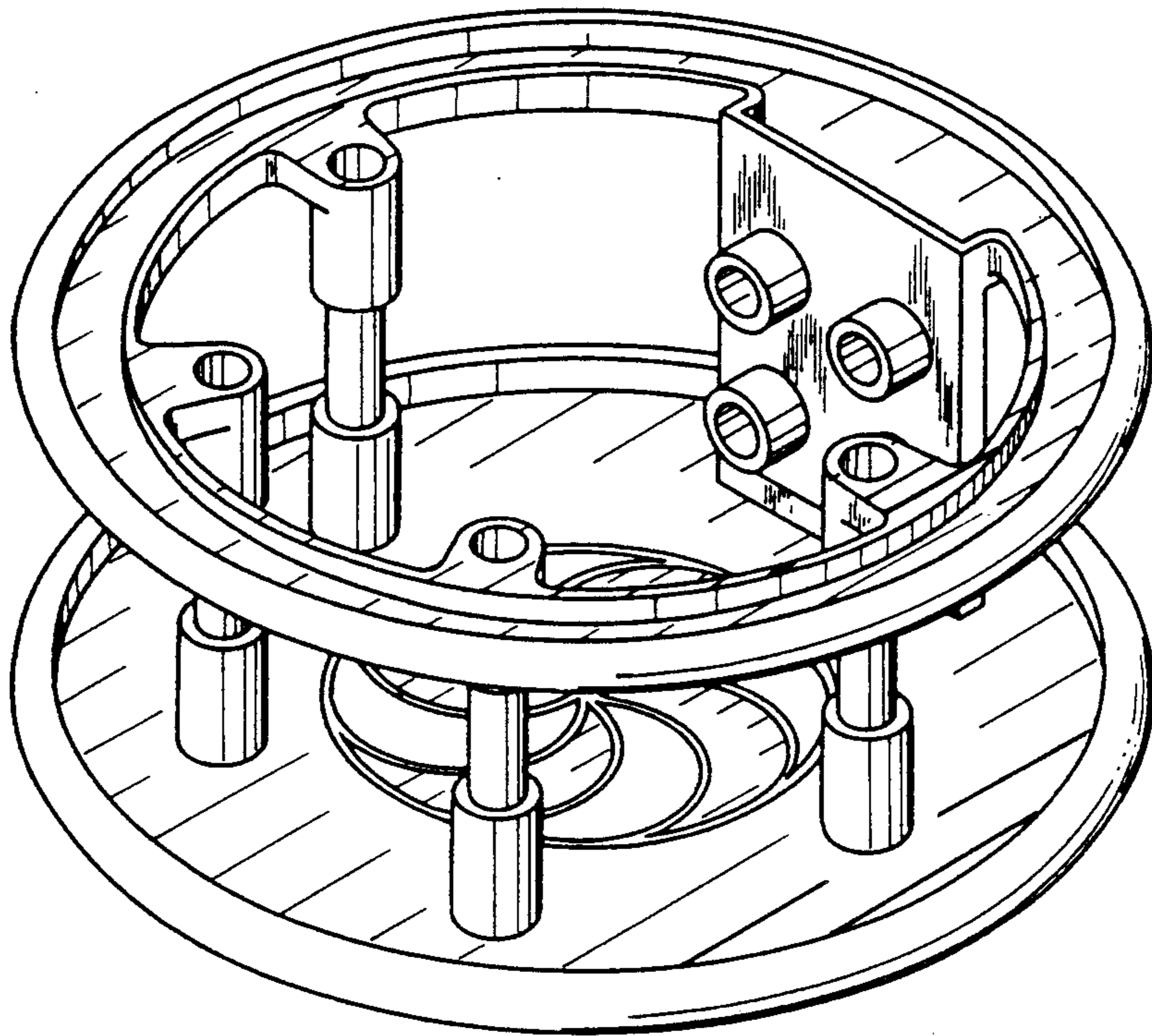


FIG. 1

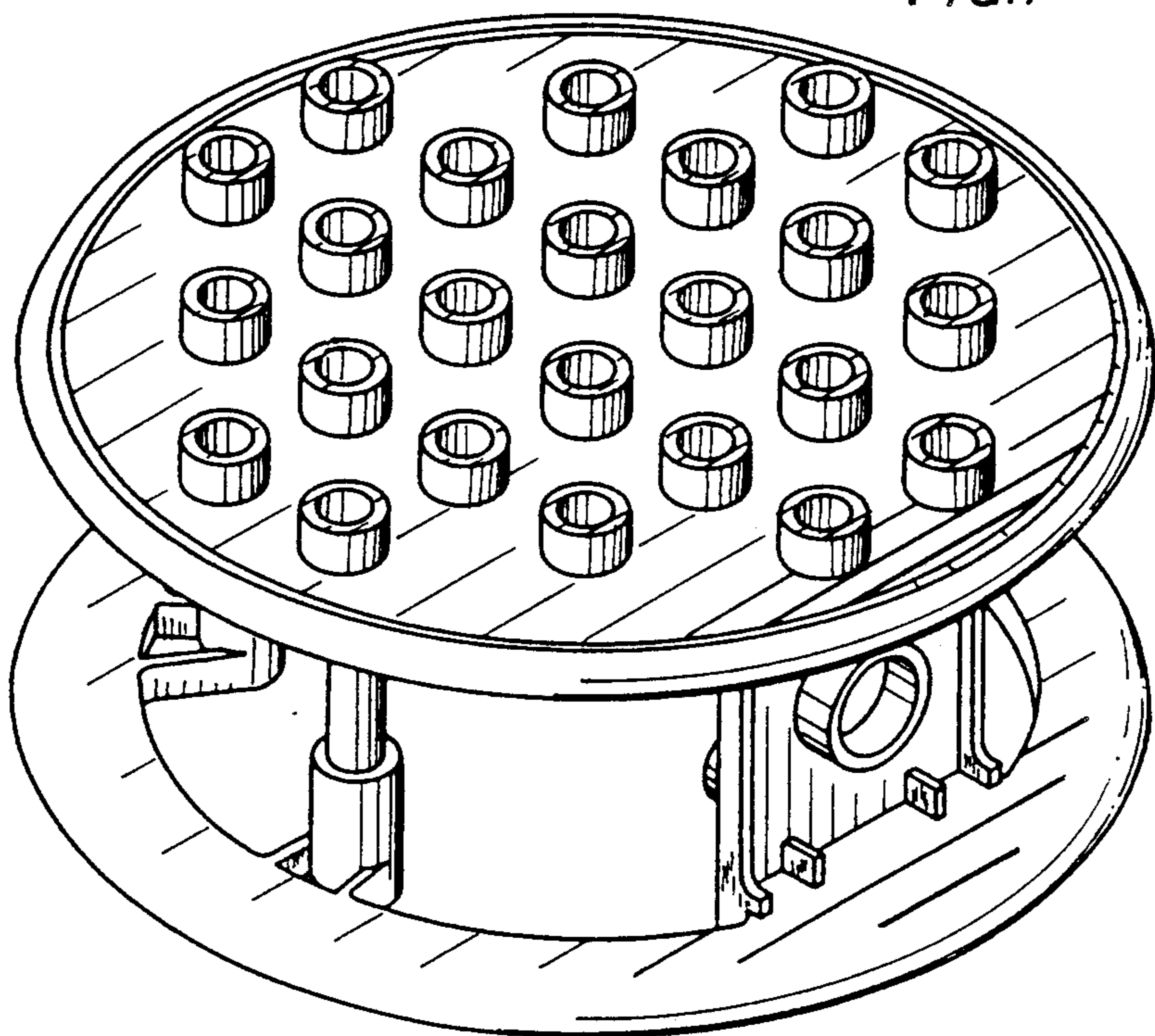


FIG. 2

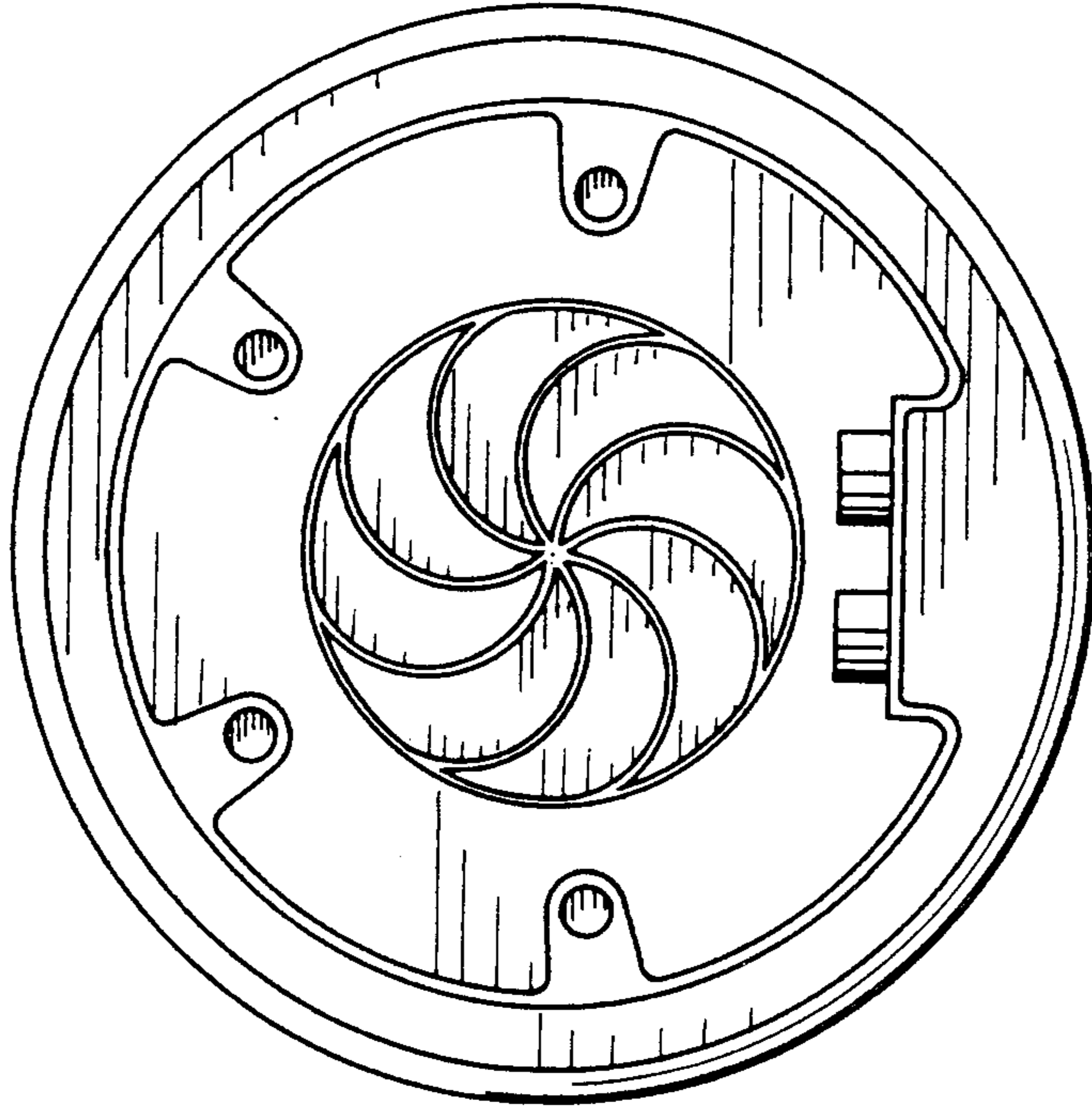


FIG. 3

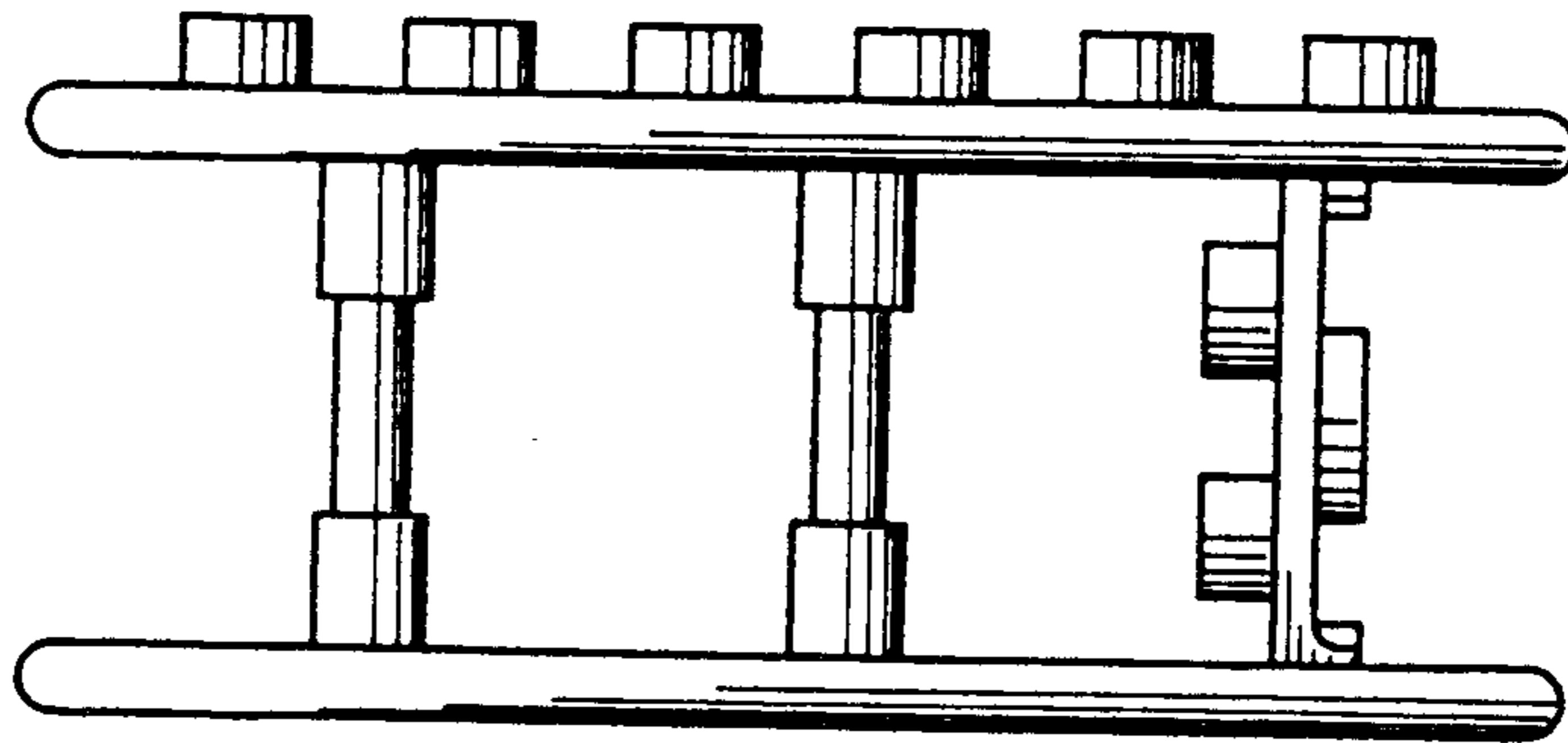


FIG. 7

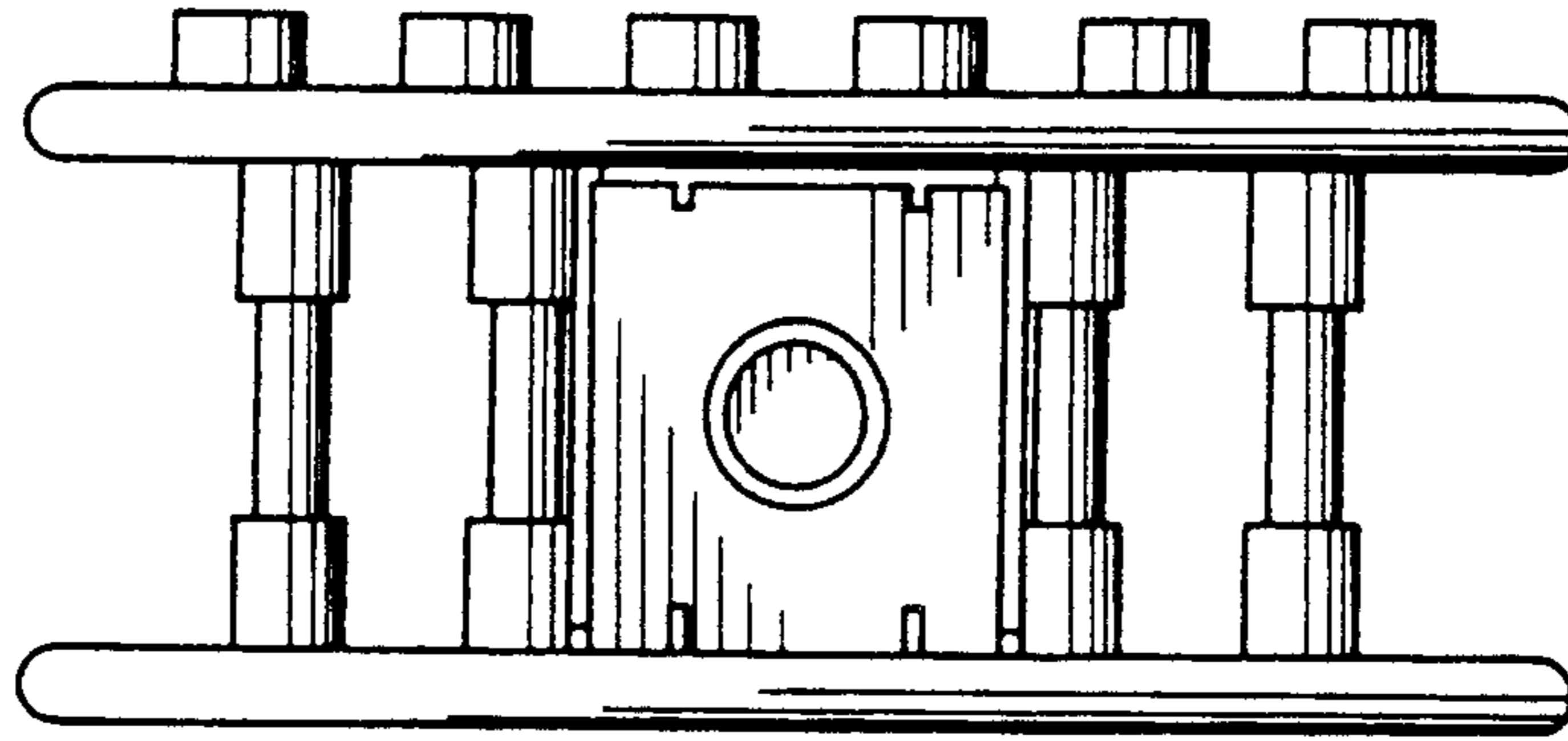


FIG. 6

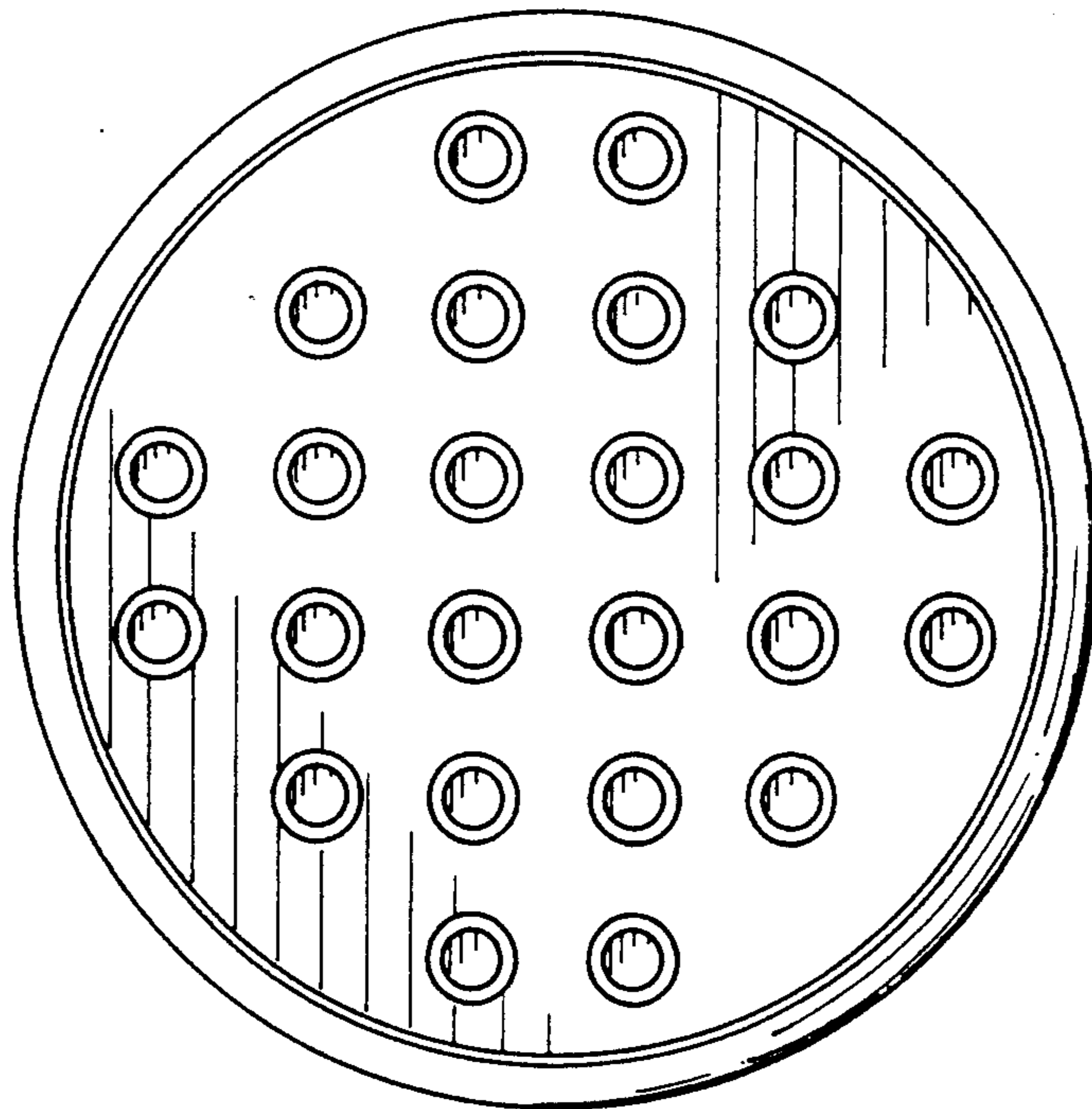


FIG. 4

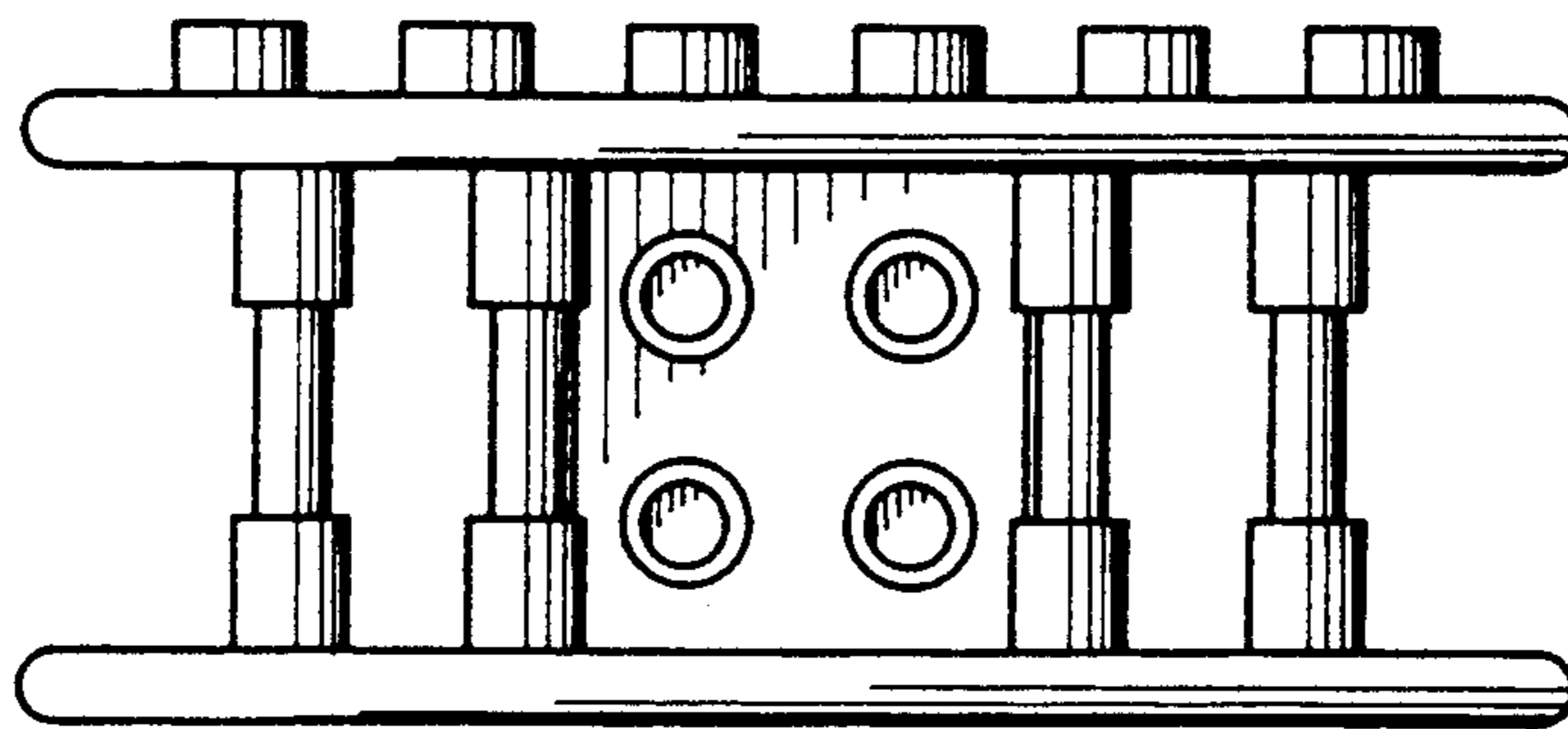


FIG. 5