

[54] AERIAL TOY

[57] CLAIM

[76] Inventor: Stephen Weiss, 570 S. Shore Dr., Miami Beach, Fla. 33141

The ornamental design for an aerial toy, as shown and described.

[\*\*] Term: 14 Years

DESCRIPTION

[21] Appl. No.: 559,881

FIG. 1 is a top plan view of a aerial toy showing my new design, the side opposite being substantially a mirror image;

[22] Filed: Jul. 13, 1990

FIG. 2 is a cross-sectional view thereof taken along the horizontal reference lines in FIG. 1;

Related U.S. Application Data

[62] Division of Ser. No. 263,601, Oct. 25, 1988, Pat. No. Des. 301,548.

[52] U.S. Cl. .... D21/86

[58] Field of Search ..... D21/82-86, D21/88-90; 446/34, 36, 46, 61-768, 409

FIG. 3 is a cross-sectional view thereof taken along the vertical reference lines in FIG. 1;

FIG. 4 is a top plan view of modified embodiment of the design shown in FIGS. 1 through 3, the side opposite being substantially a mirror image;

[56] References Cited

U.S. PATENT DOCUMENTS

D. 264,486	5/1982	Lazzaro et al. ....	D21/88
D. 285,461	9/1986	Adler .....	D21/85
4,246,721	1/1981	Bowers .....	446/61
4,345,481	8/1982	Brzack .....	446/61
4,436,264	3/1984	Brumfield .....	D21/85

FIG. 5 is a cross-sectional view thereof taken along the horizontal reference lines in FIG. 4;

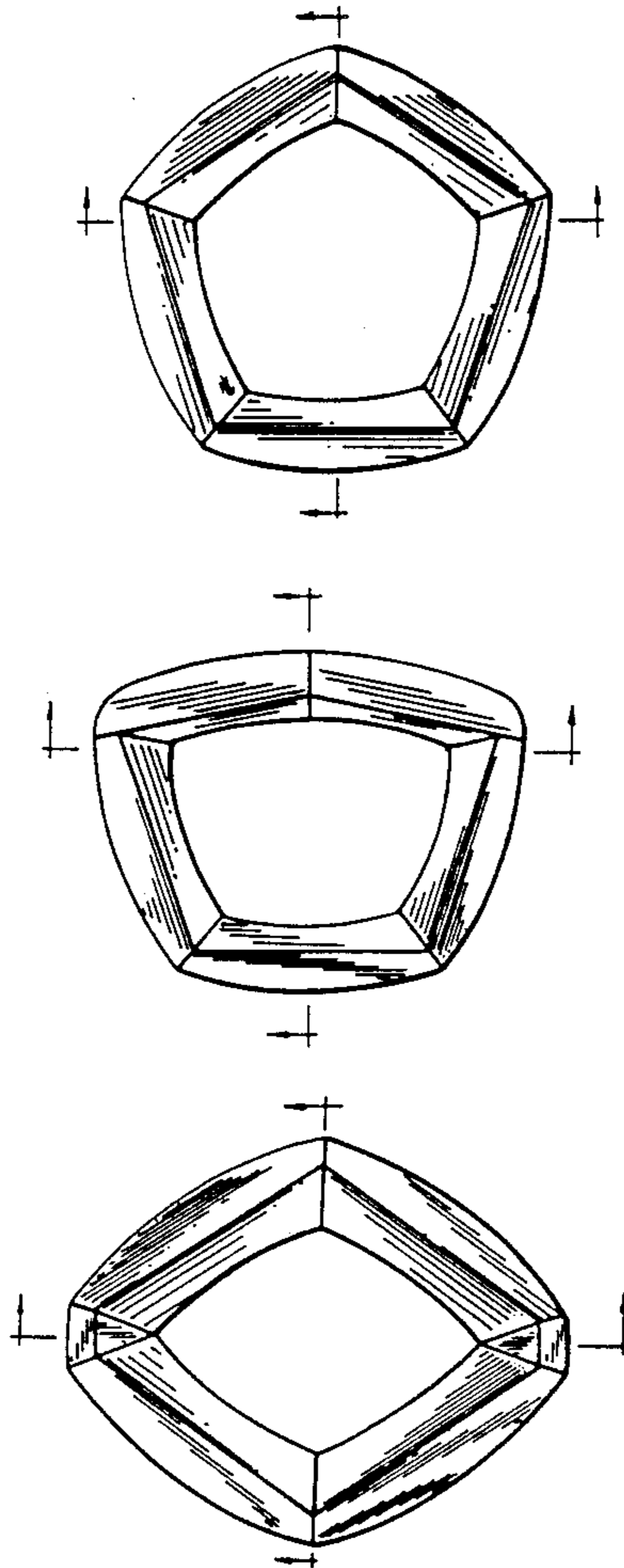
FIG. 6 is a cross-sectional view thereof taken along the horizontal reference lines in FIG. 4;

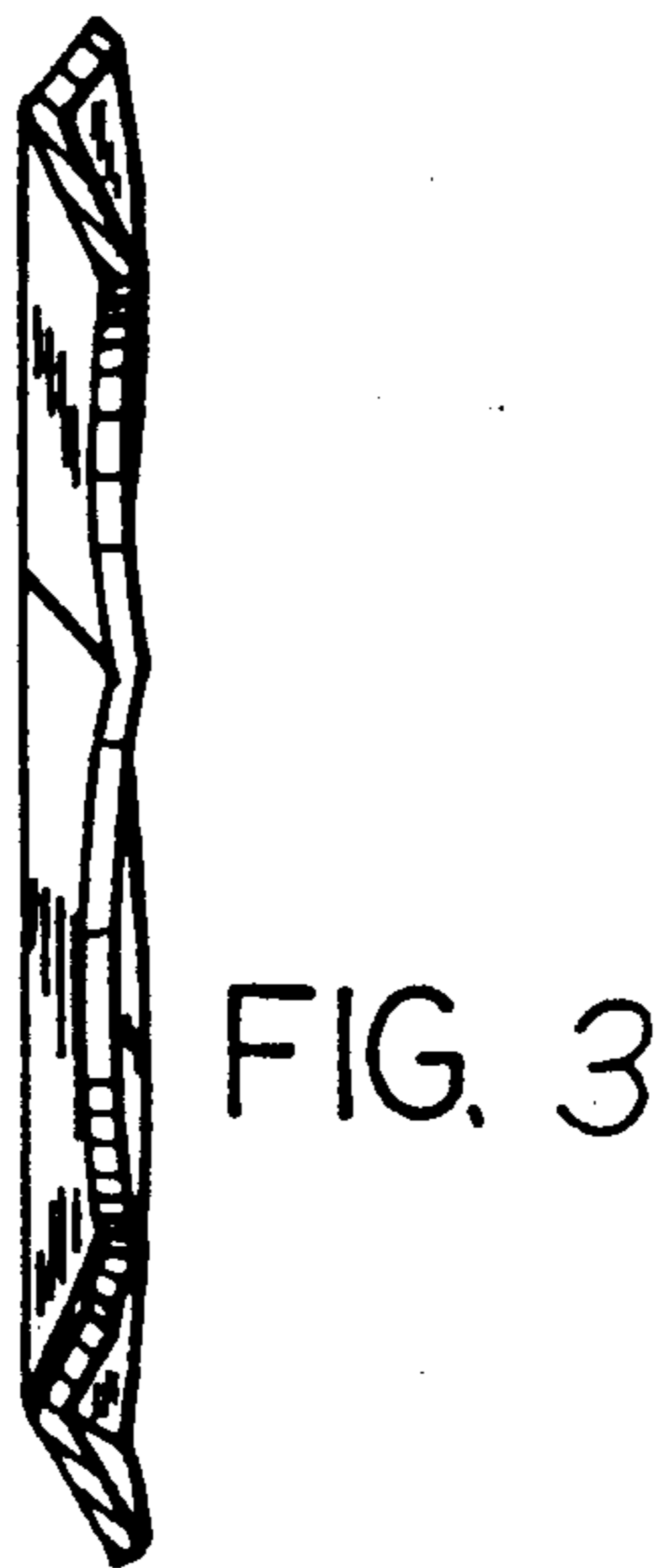
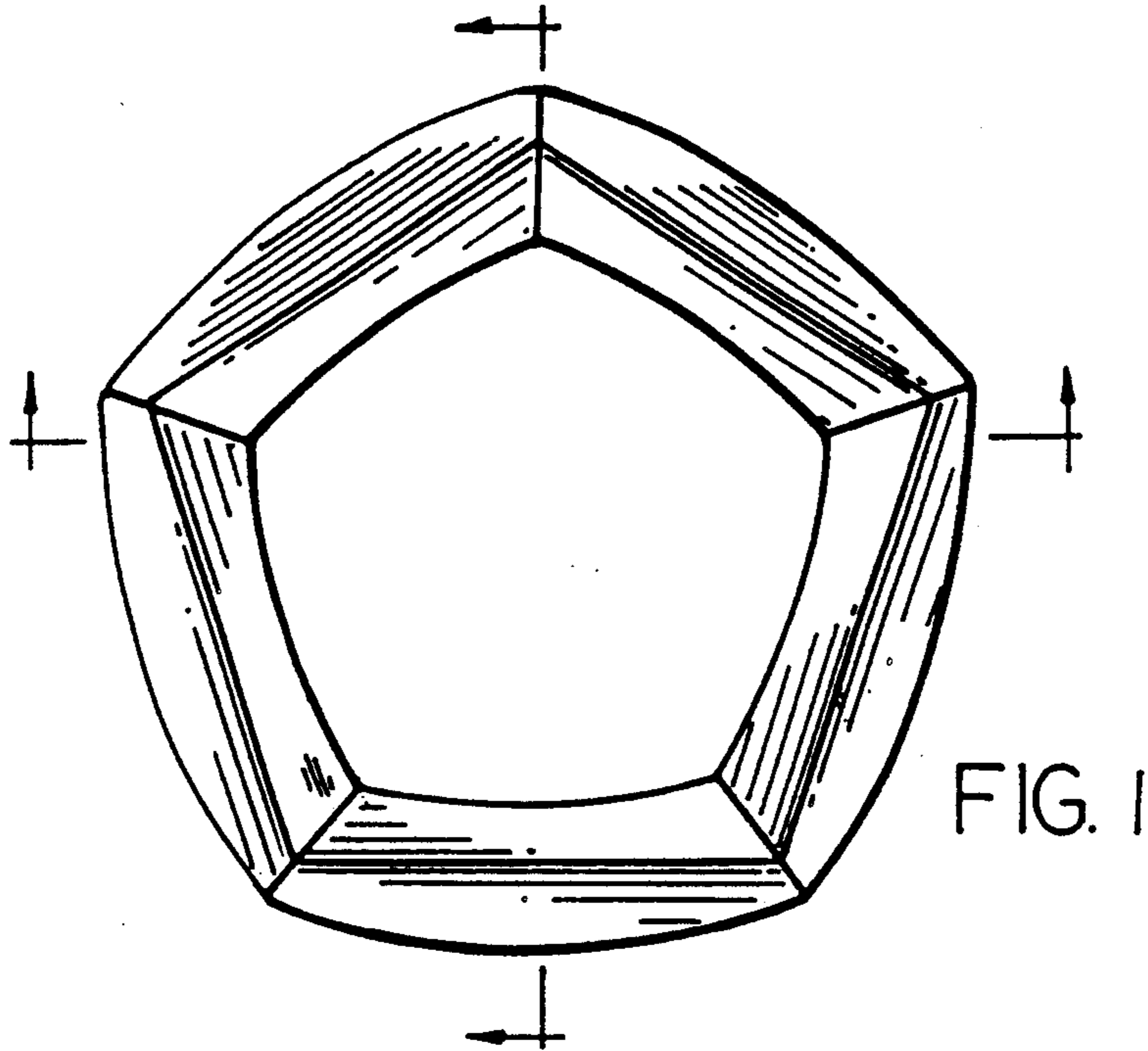
FIG. 7 is a top plan view of a second modified embodiment of the design shown in FIGS. 1 through 3, the side opposite being substantially a mirror image;

FIG. 8 is a cross-sectional view thereof taken along line the vertical reference line lines in FIG. 7; and,

FIG. 9 is a cross-sectional view thereof taken along the horizontal reference lines in FIG. 7.

Primary Examiner—Charles A. Rademaker





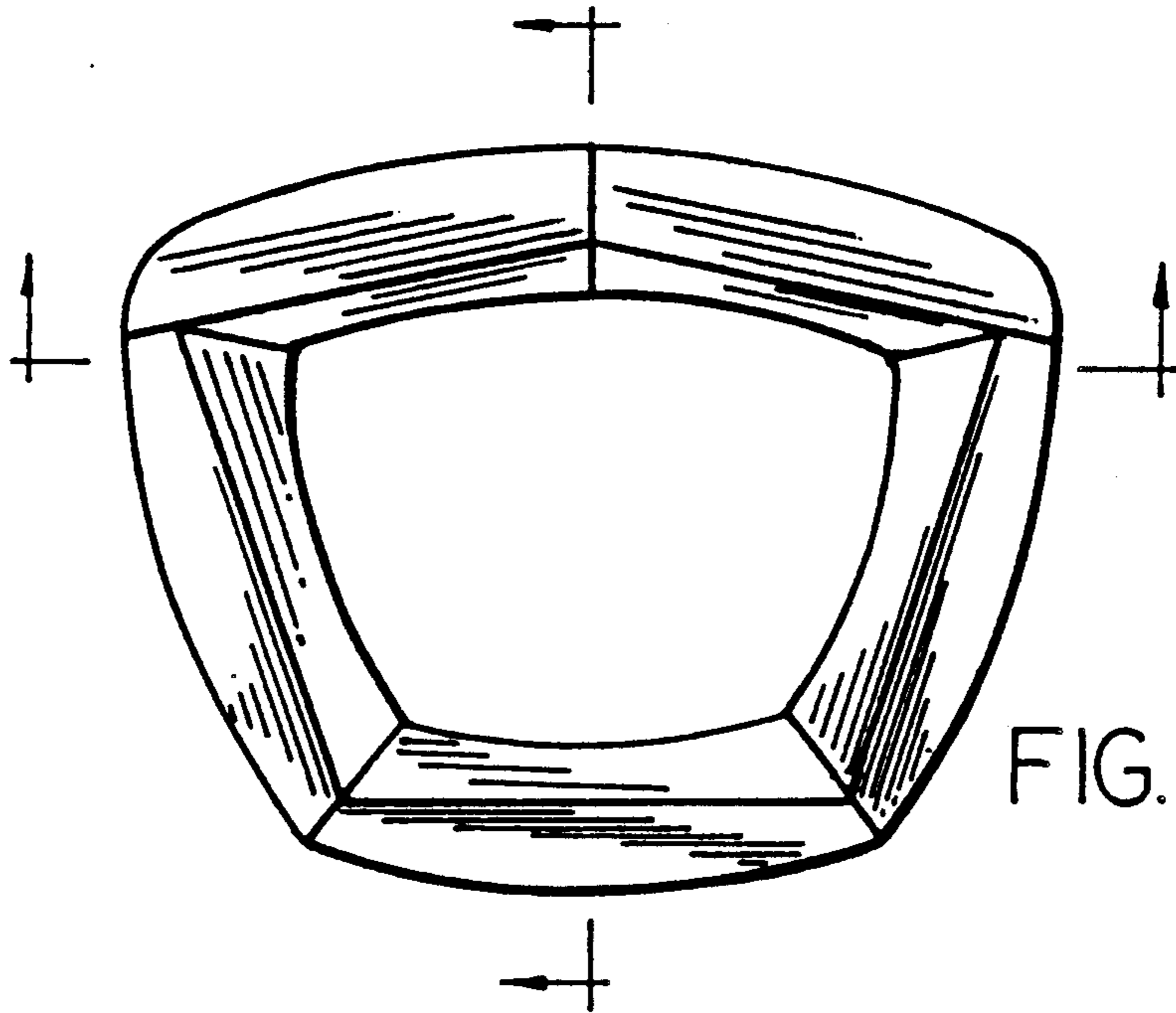


FIG. 4



FIG. 5



FIG. 6

