

[54] SIMULATIVE TOY MOBILE

[75] Inventors: Paul J. Van Risseghem, Cincinnati, Ohio; George A. Van Risseghem, Little Falls, Minn.

[73] Assignee: Van Toy & Novelty Co., Cincinnati, Ohio

[\*\*] Term: 14 Years

[21] Appl. No.: 193,495

[22] Filed: May 12, 1988

[52] U.S. Cl. .... D21/62; D11/141; D21/160

[58] Field of Search ..... D21/62, 160; D11/141, D11/58; D22/125; 446/30, 31, 35, 227

[56] References Cited

U.S. PATENT DOCUMENTS

- D. 185,075 5/1959 Erenhouse ..... D11/58
- D. 191,115 8/1961 Okamoto .
- D. 245,365 8/1977 Shirashi .
- D. 245,531 8/1977 Shirashi .
- D. 246,514 11/1977 Honegger .
- 262,686 8/1882 Myers .
- D. 296,195 6/1988 Ditto ..... D11/58
- 1,224,044 4/1917 Thurman .
- 1,652,775 12/1927 Funk et al. .
- 1,666,543 4/1928 Vincent .
- 1,787,535 1/1931 Klautd .
- 1,814,314 7/1931 Kane et al. .

- 2,357,900 9/1944 Lenhardt .
- 2,769,276 11/1956 Steiner .
- 3,290,817 12/1966 Kravath .
- 4,228,977 10/1980 Tanaka ..... 446/30

FOREIGN PATENT DOCUMENTS

- 111141 8/1925 Switzerland ..... 446/226

OTHER PUBLICATIONS

The Washington Post Magazine, 6-1978, p. 18, Photo of Hanging Bird at right side of page.

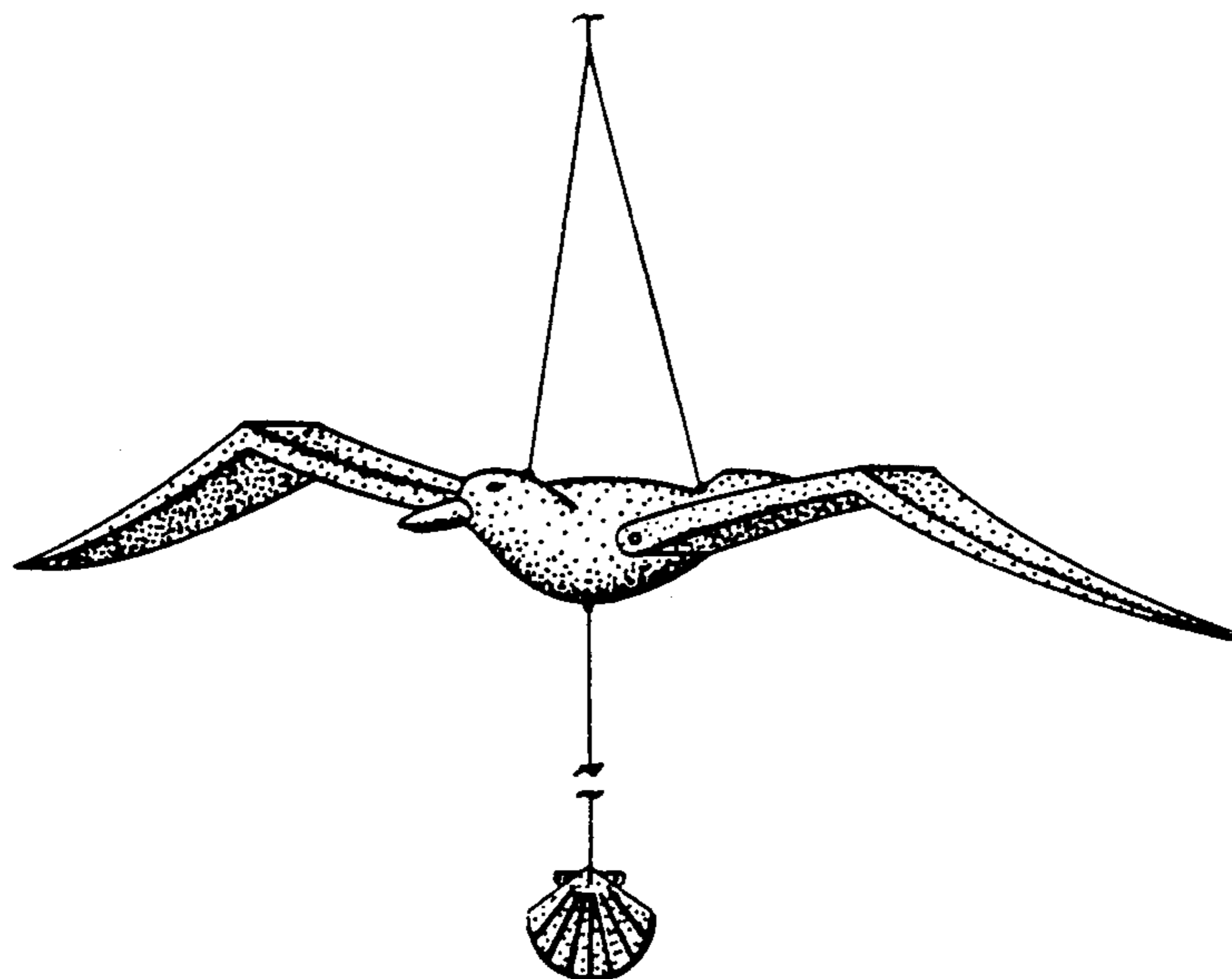
Primary Examiner—Charles A. Rademaker  
Assistant Examiner—Raphael Barkai  
Attorney, Agent, or Firm—Wood, Herron & Evans

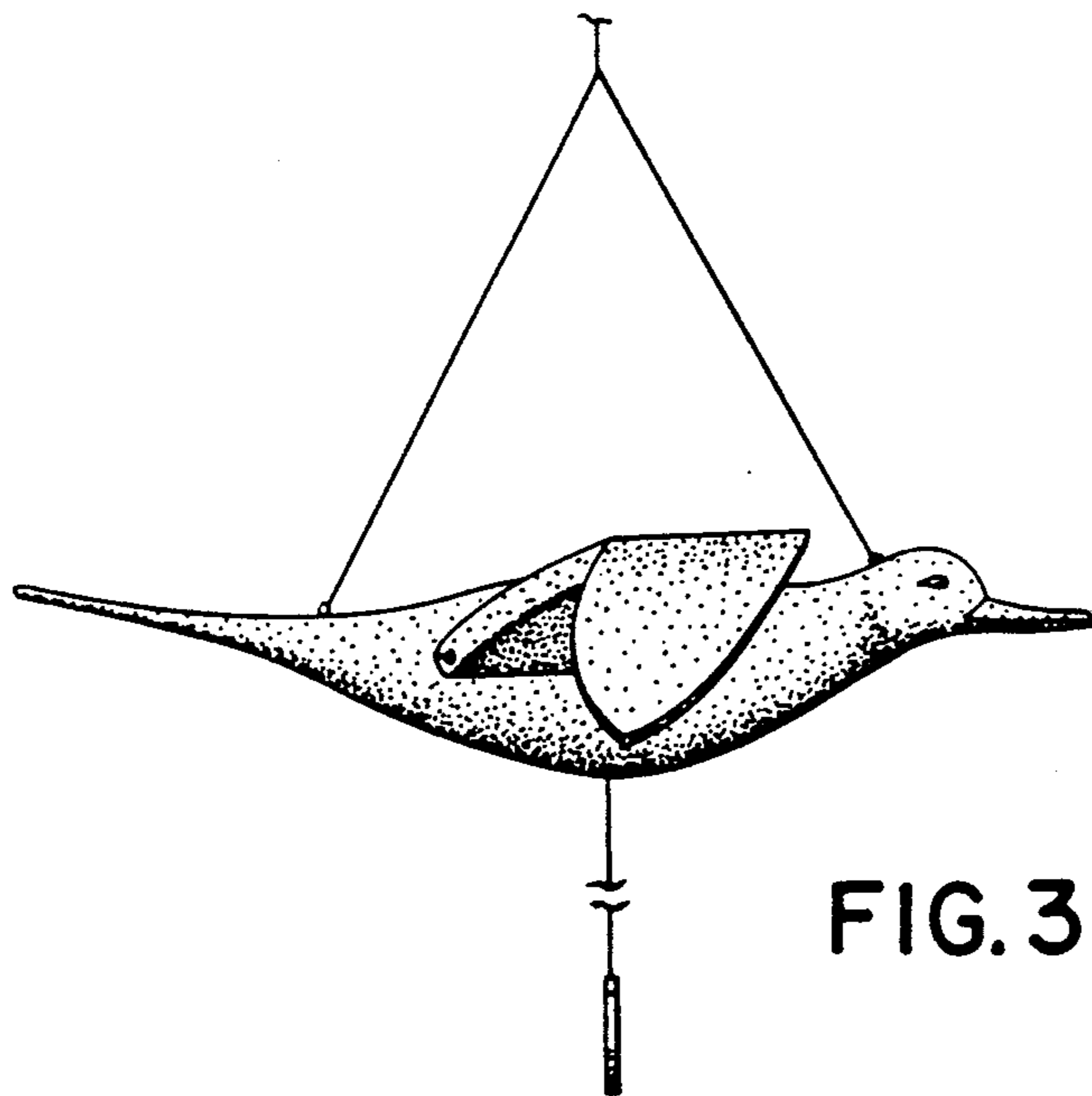
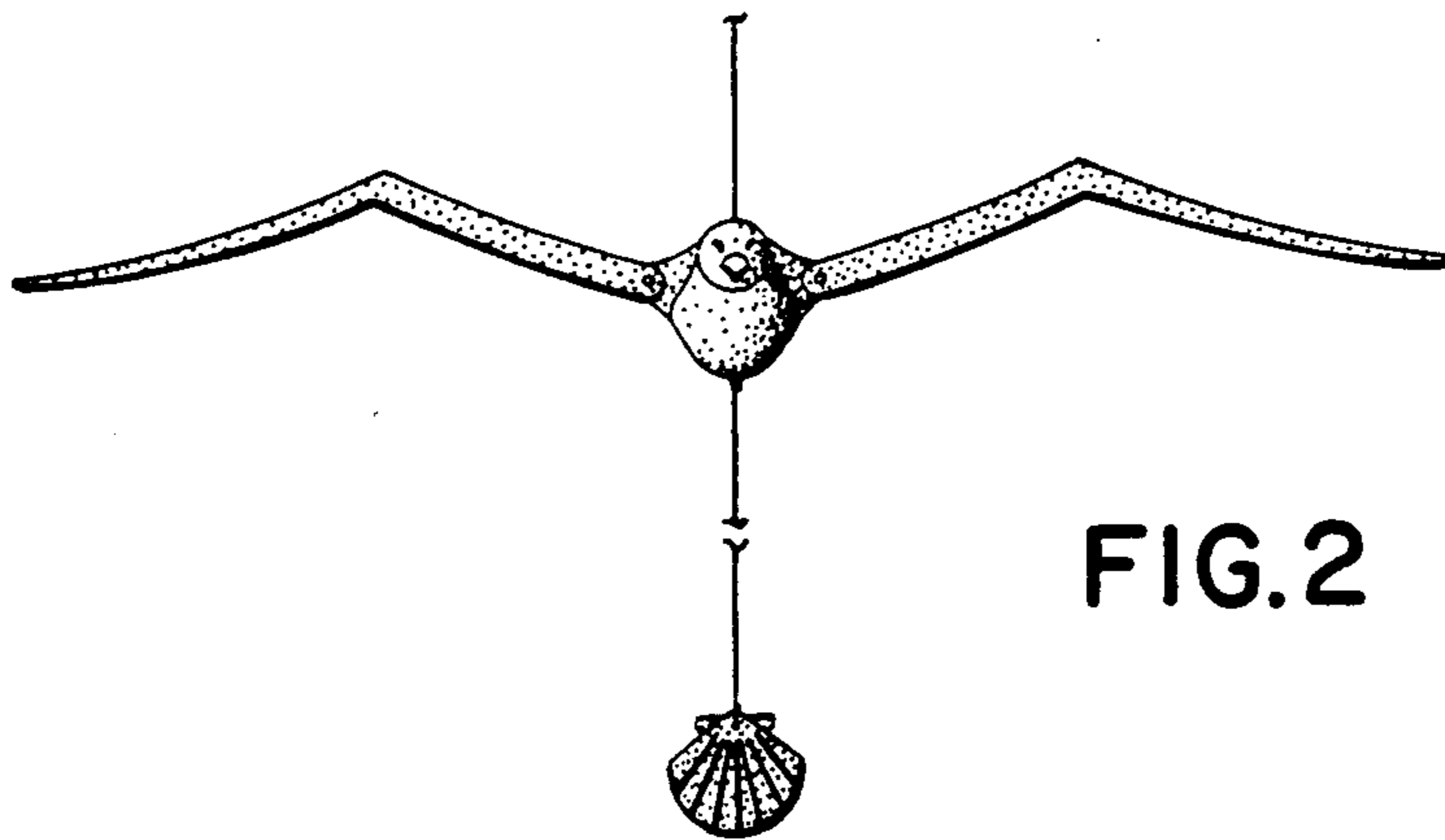
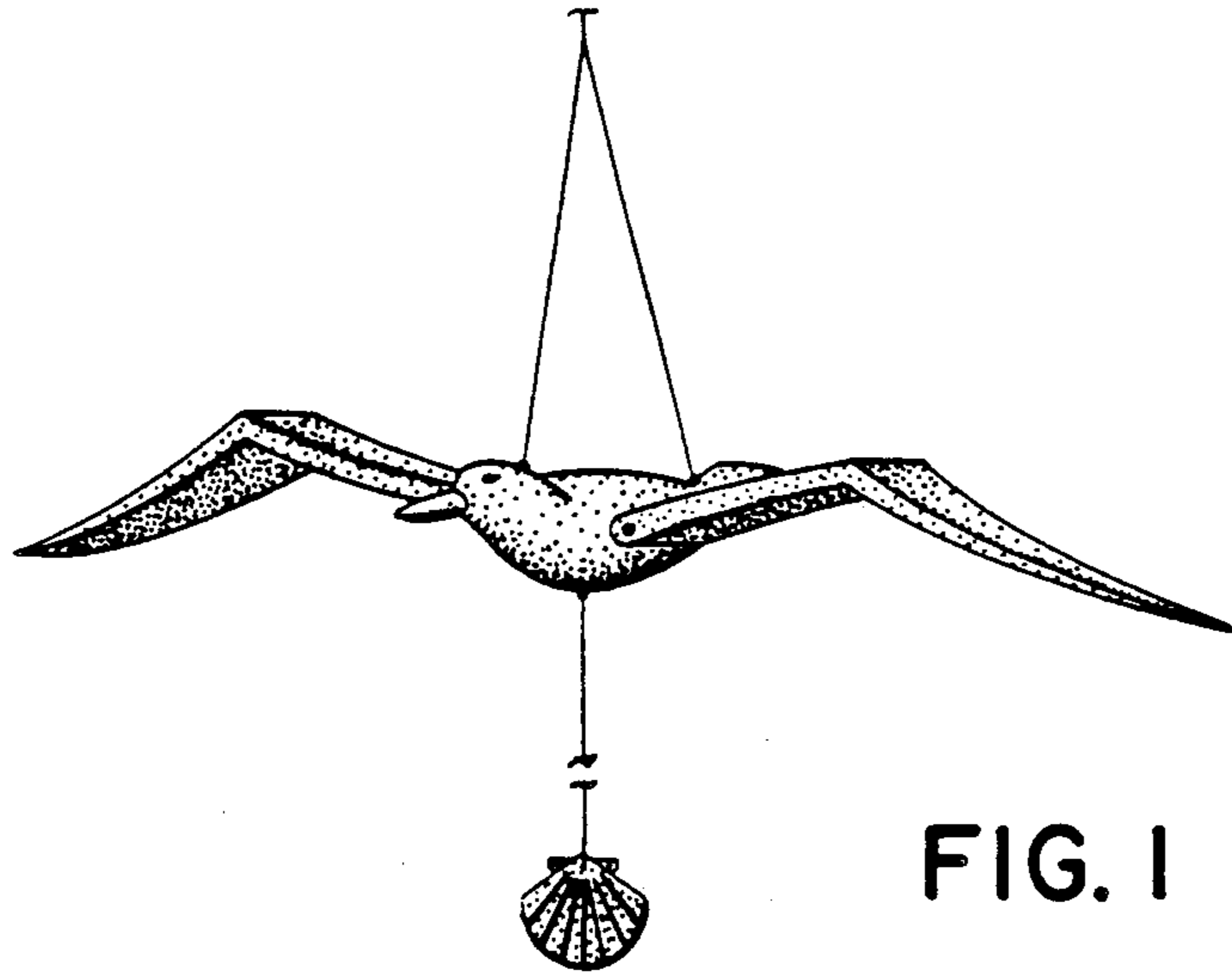
[57] CLAIM

The ornamental design for a simulative toy mobile, as shown and described.

DESCRIPTION

FIG. 1 is a perspective view of a simulative toy mobile showing our new design;  
FIG. 2 is a front elevational view thereof;  
FIG. 3 is a side elevational view thereof, the opposite side being a mirror image thereof;  
FIG. 4 is a top plan view thereof;  
FIG. 5 is a bottom plan view thereof;  
FIG. 6 is a rear elevational view thereof.  
The tether member has been shown in fragment in FIGS. 1, 2, 3 and 6 to indicate indeterminate length.





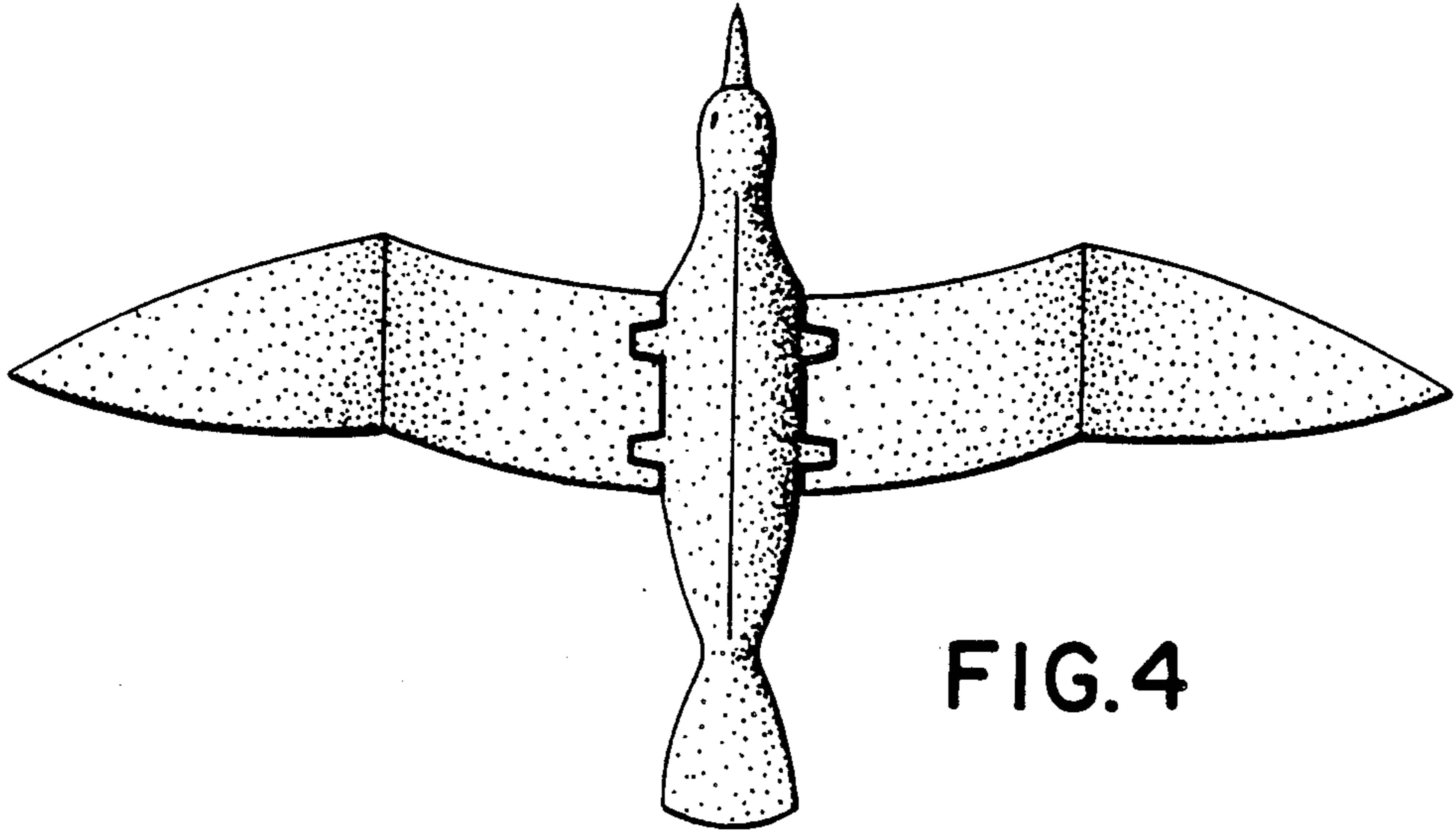


FIG. 4

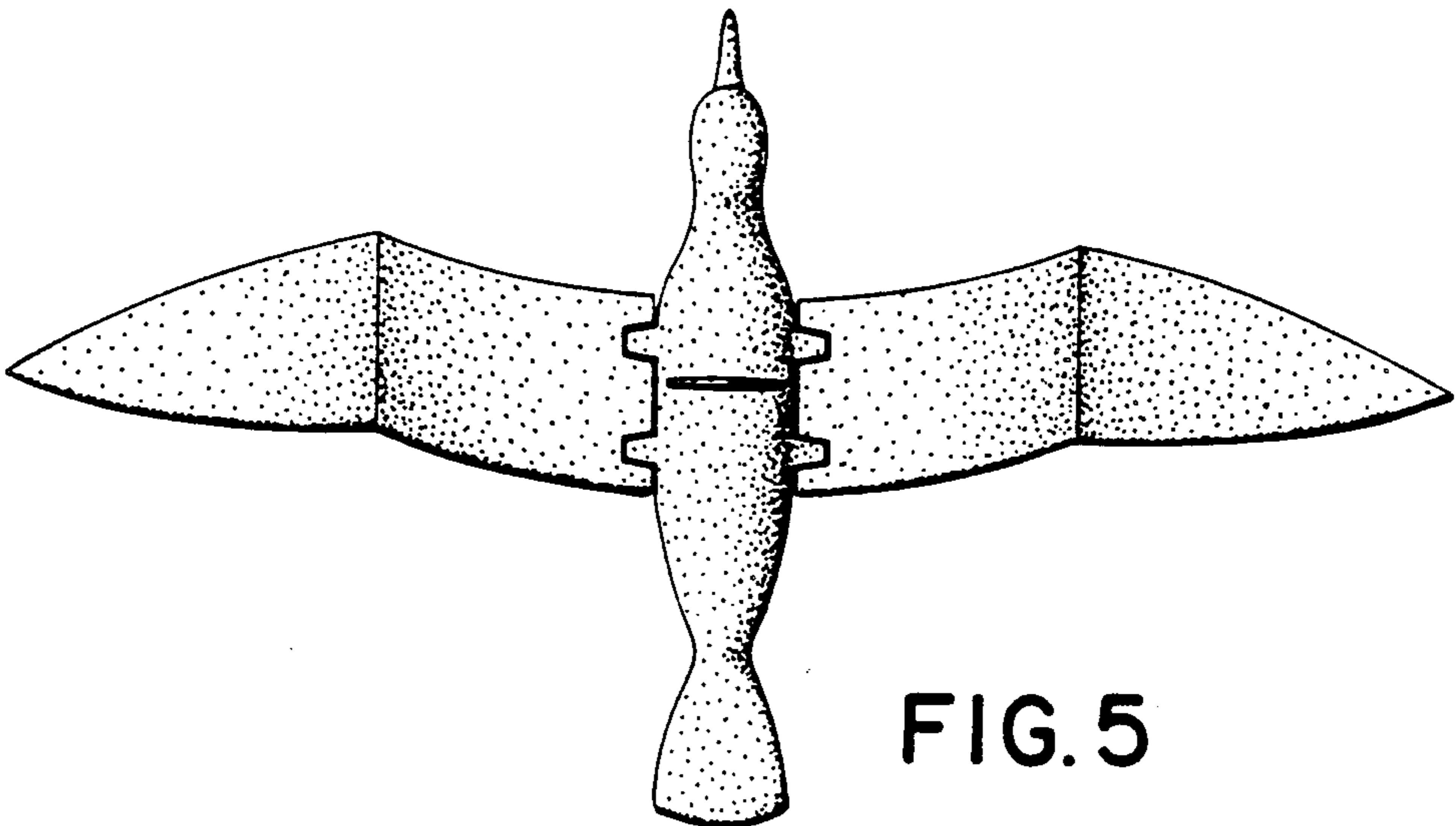


FIG. 5

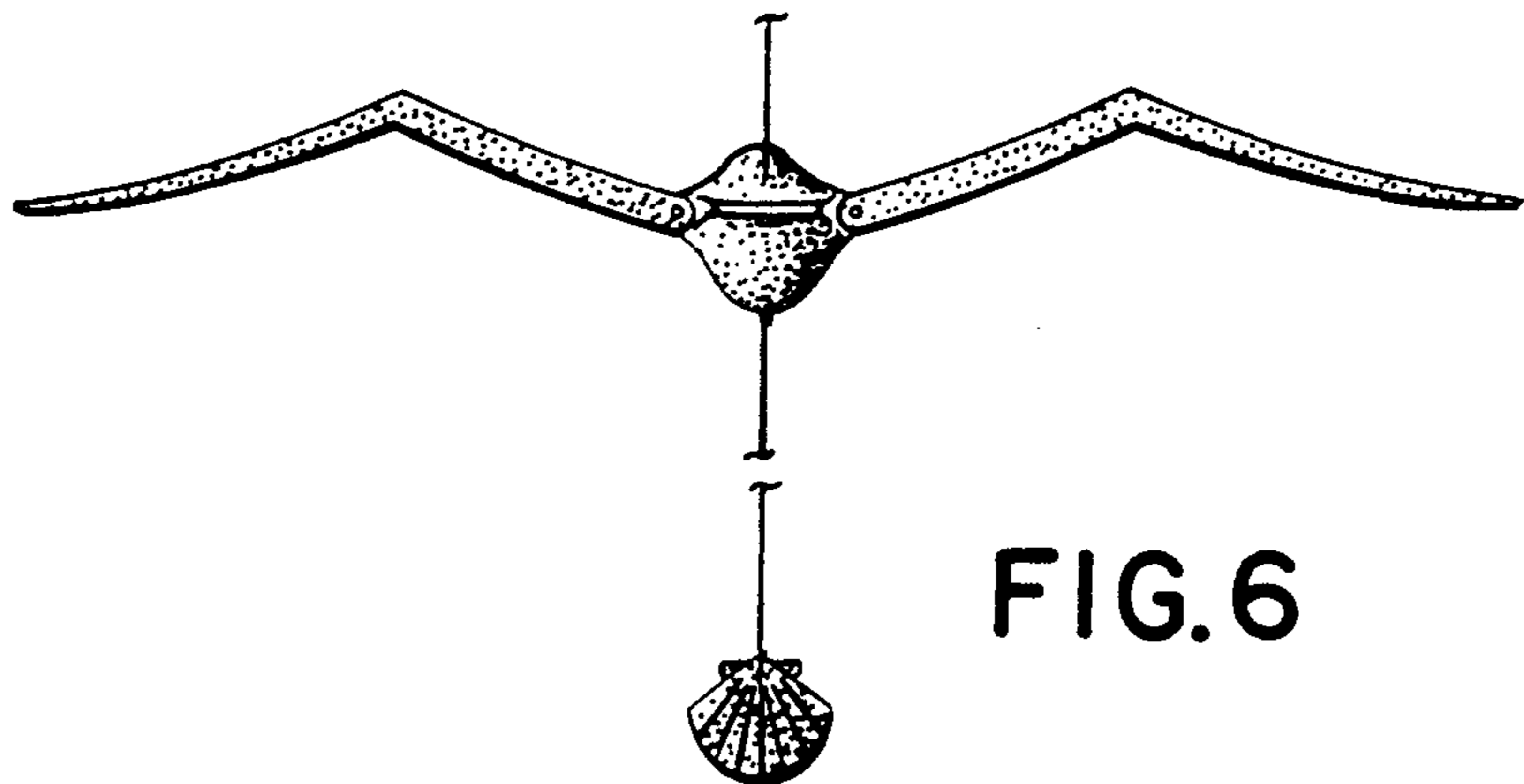


FIG. 6