

[54] **COMBINED PRINTER STAND AND PAPER TRAY**

[76] **Inventor:** Walter Chieng, No. 12, Alley 18, Lane 277, Chung-Shan North Road, Sec. 6, Taipei, Taiwan

[\*\*] **Term:** 14 Years

[21] **Appl. No.:** 342,375

[22] **Filed:** Apr. 24, 1989

[52] **U.S. Cl. ....** D18/23; 248/676

[58] **Field of Search ....** 211/13, 50; D14/111, D14/114; D6/426, 427, 430, 464, 477-479, 484, 487; D18/23, 13; 248/670, 673, 676, 174, 175, 176, 918; 400/613.2, 613.4, 691, 694; 108/41, 33; 312/208

[56] **References Cited**

**U.S. PATENT DOCUMENTS**

D. 250,765	1/1979	Smith .....	D14/114
D. 290,970	7/1987	Rich .....	D18/23
D. 295,337	4/1988	Bogart .....	D6/479
D. 295,984	5/1988	Currie .....	D18/23
3,984,074	10/1976	Forman et al. ....	248/676
4,651,967	3/1987	McCoy .....	248/676

**OTHER PUBLICATIONS**

Global Computer Supplies; Feb. 1987; p. 51, item C5155.  
 INMAC Catalog; Mar. '84; p. 48.  
 Devoke Computer Support Pdts.; Fall/Winter 1987; p. 37; item 8098-1.  
 Varco Computer Supplies; p. 7, item C416552.  
 Devoke Computer Support Pdts.; p. 32; items 8098-F & 9820F.

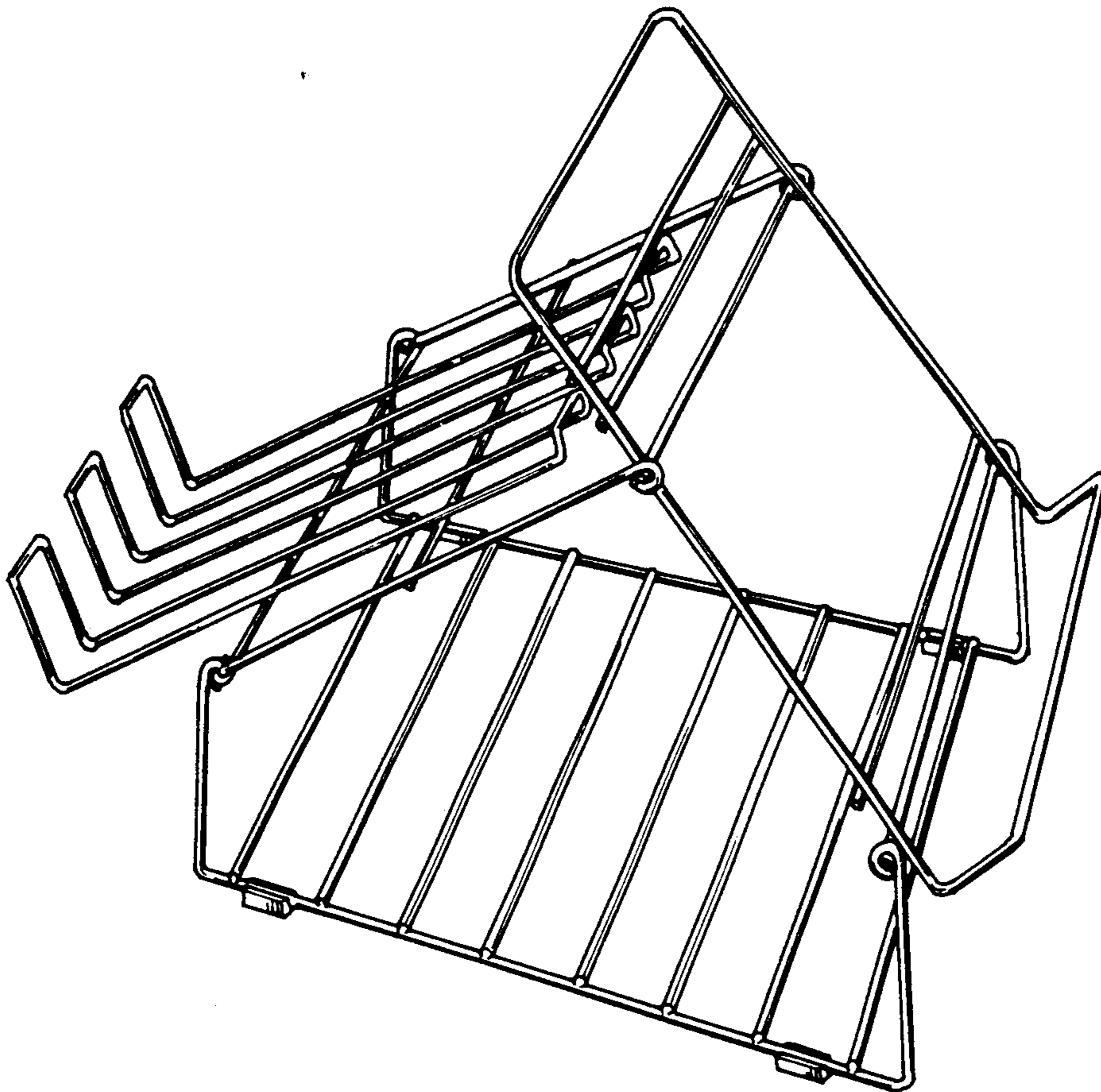
*Primary Examiner*—A. Hugo Word  
*Assistant Examiner*—Cathy Anne MacCormac  
*Attorney, Agent, or Firm*—Notaro & Michalos

[57] **CLAIM**

The ornamental design for a combined printer stand and paper tray, as shown and described.

**DESCRIPTION**

FIG. 1 is a left side elevational view of a combined printer stand and paper tray showing my new design; FIG. 2 is a rear elevational view thereof; FIG. 3 is a front elevational view thereof; FIG. 4 is a top plan view thereof; FIG. 5 is a bottom plan view thereof; FIG. 6 is a right side elevational view thereof; and FIG. 7 is a perspective view taken from the top and left side thereof.



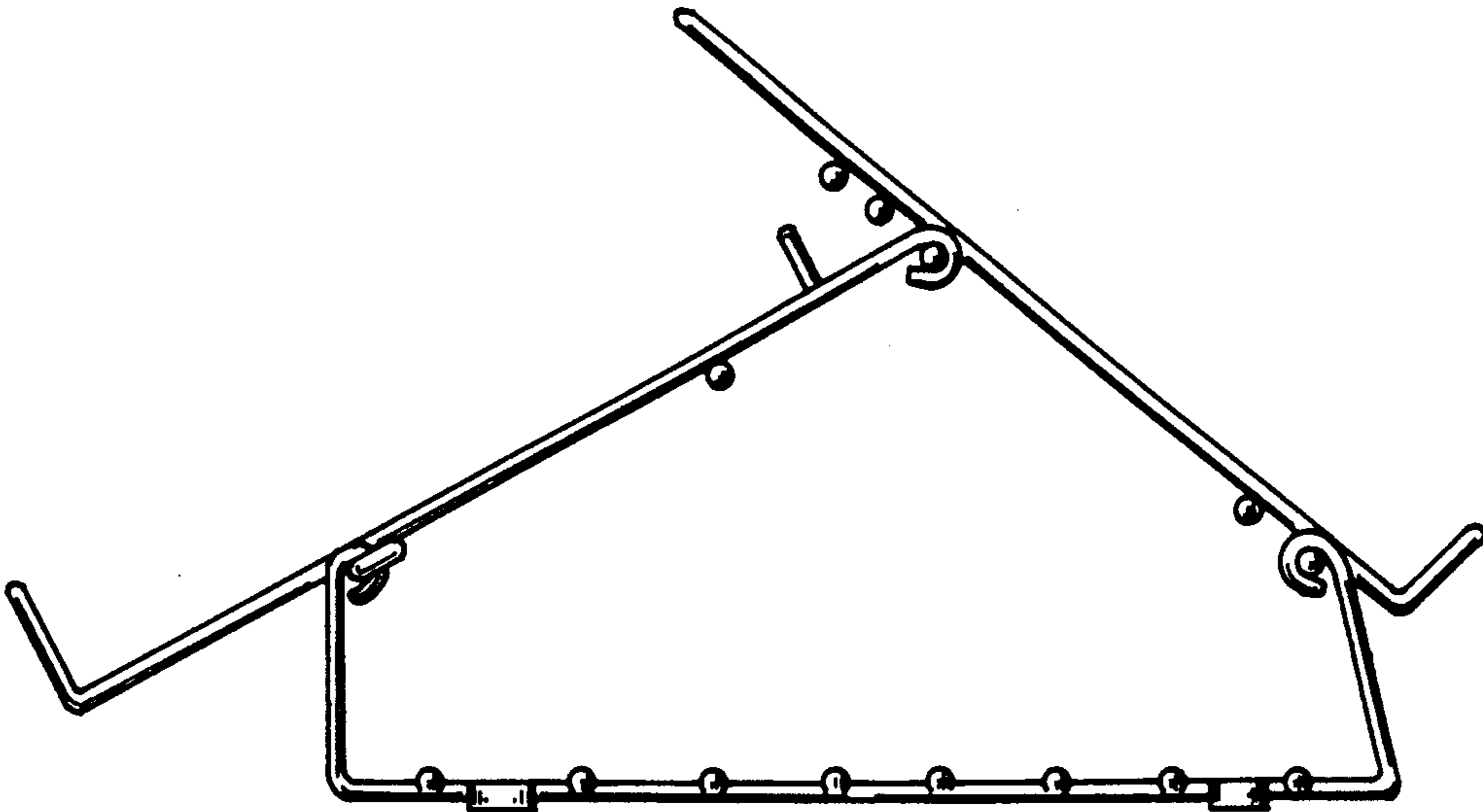


FIG. 1

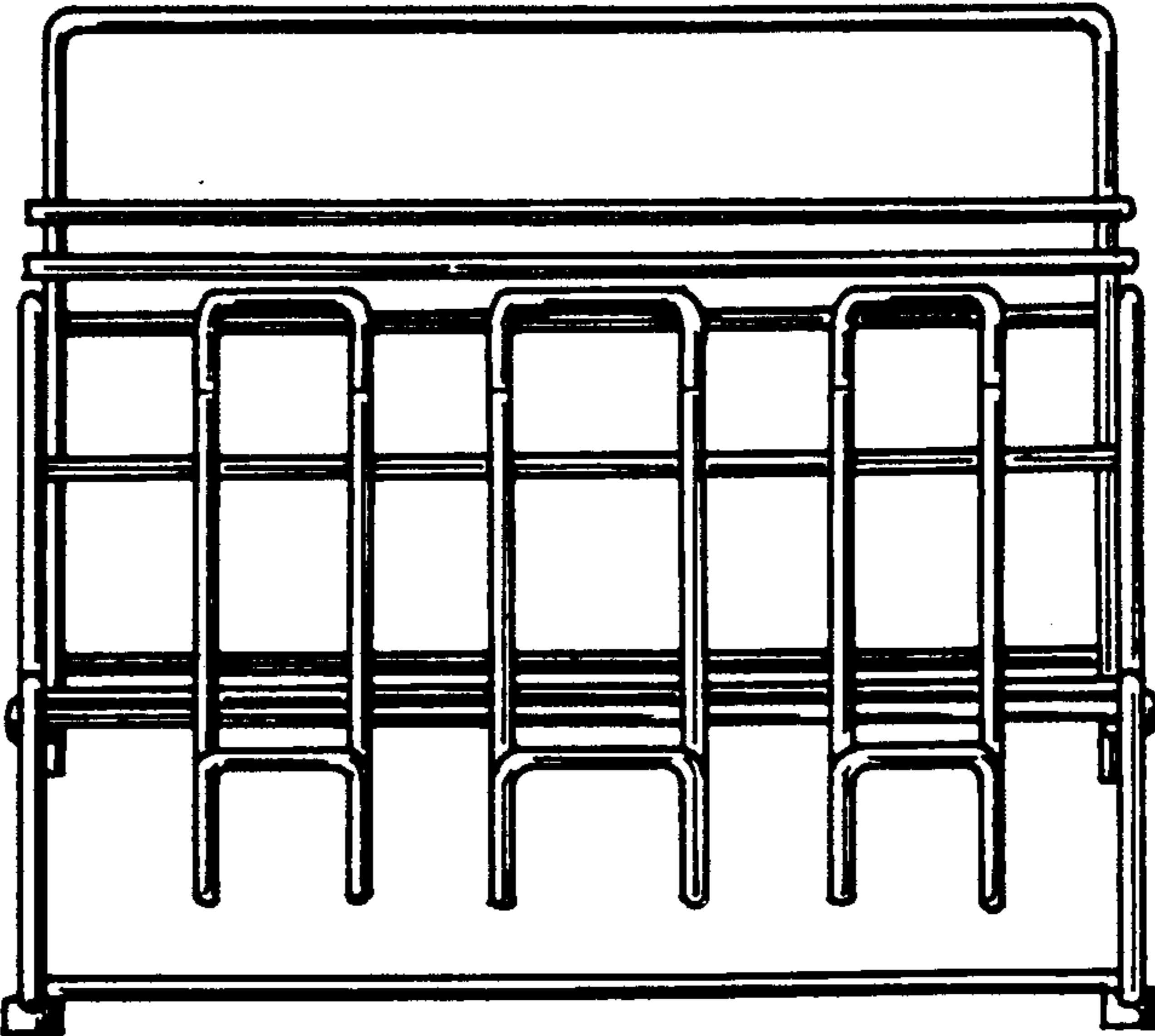


FIG. 2

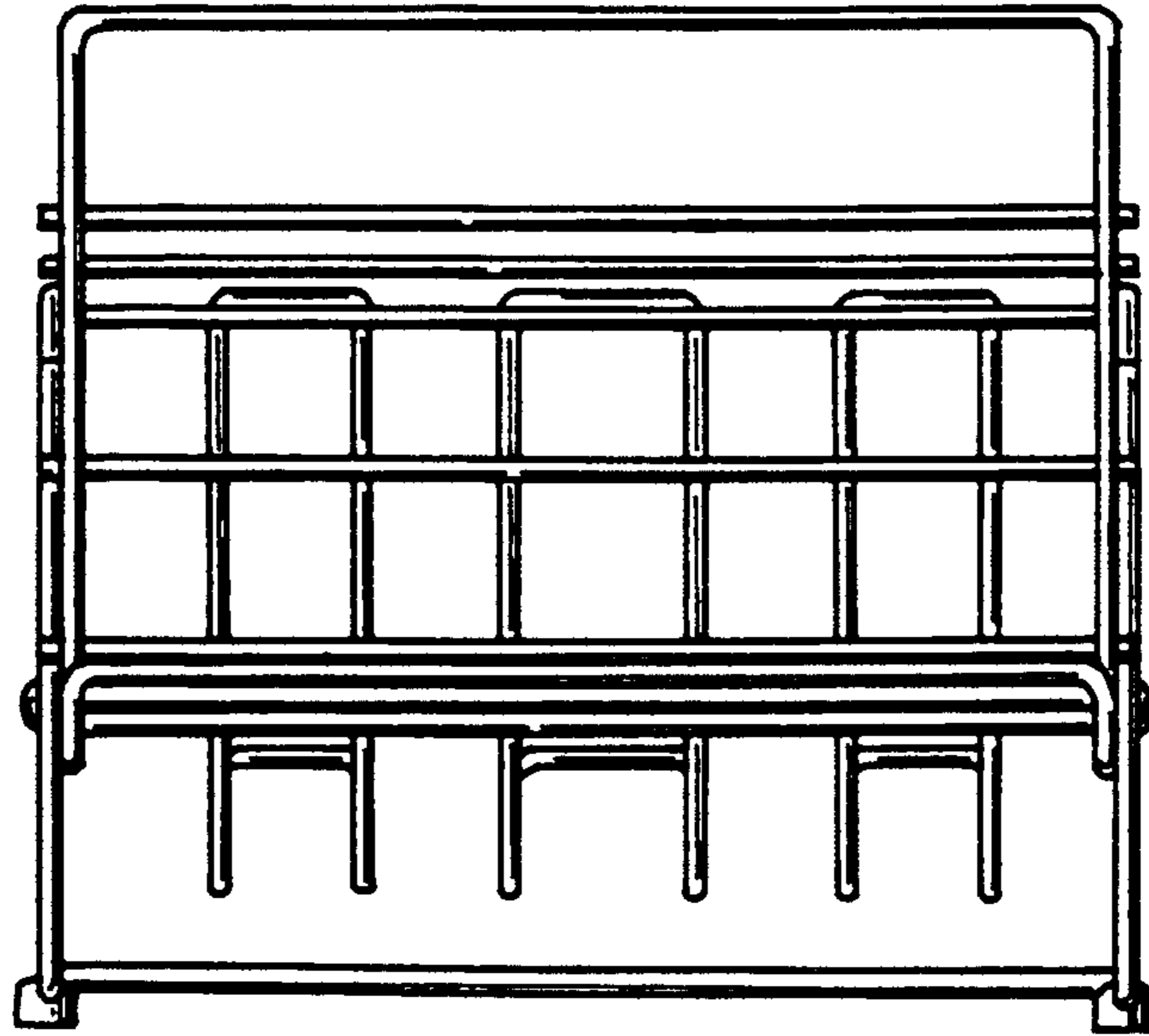


FIG. 3

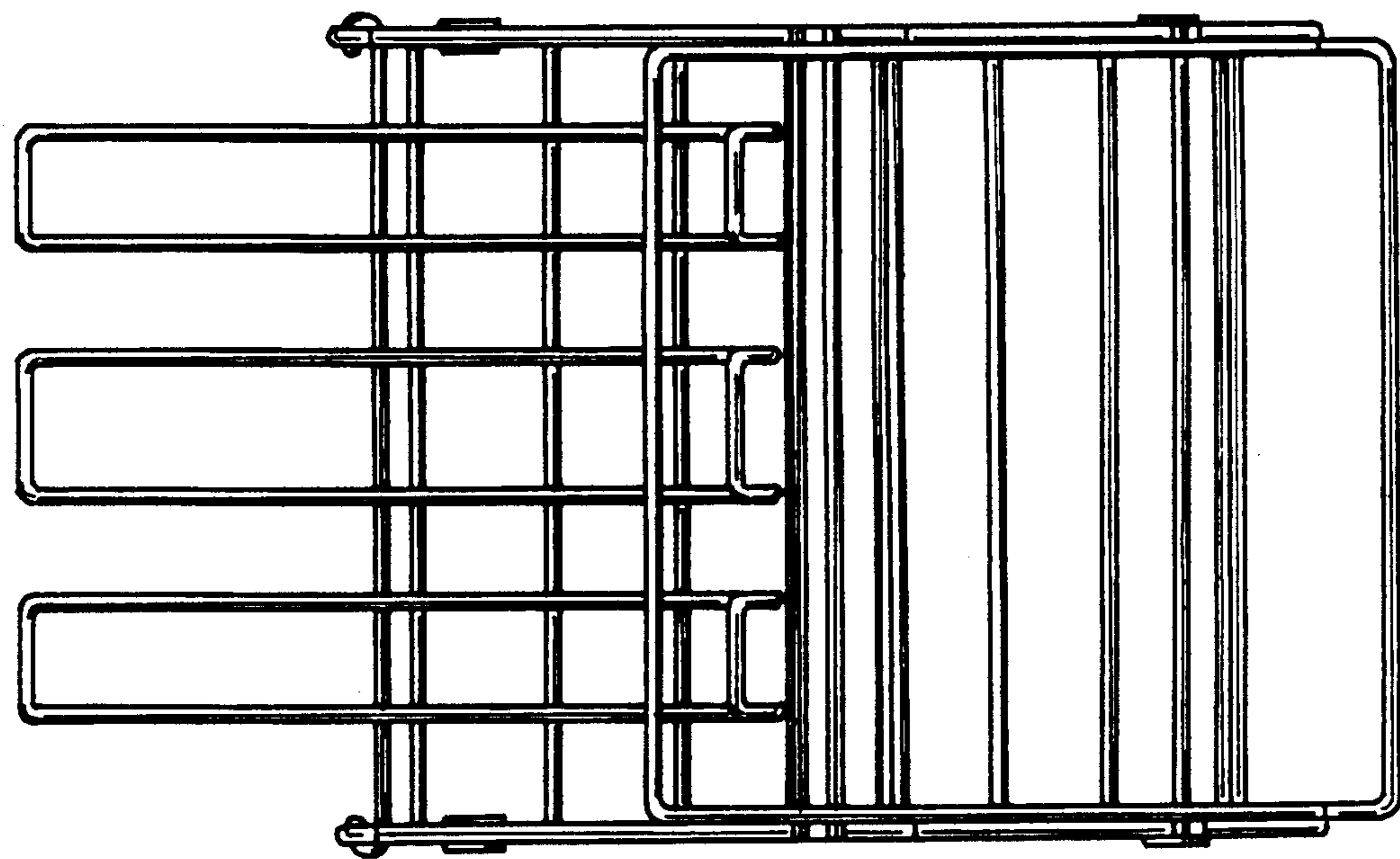


FIG. 4

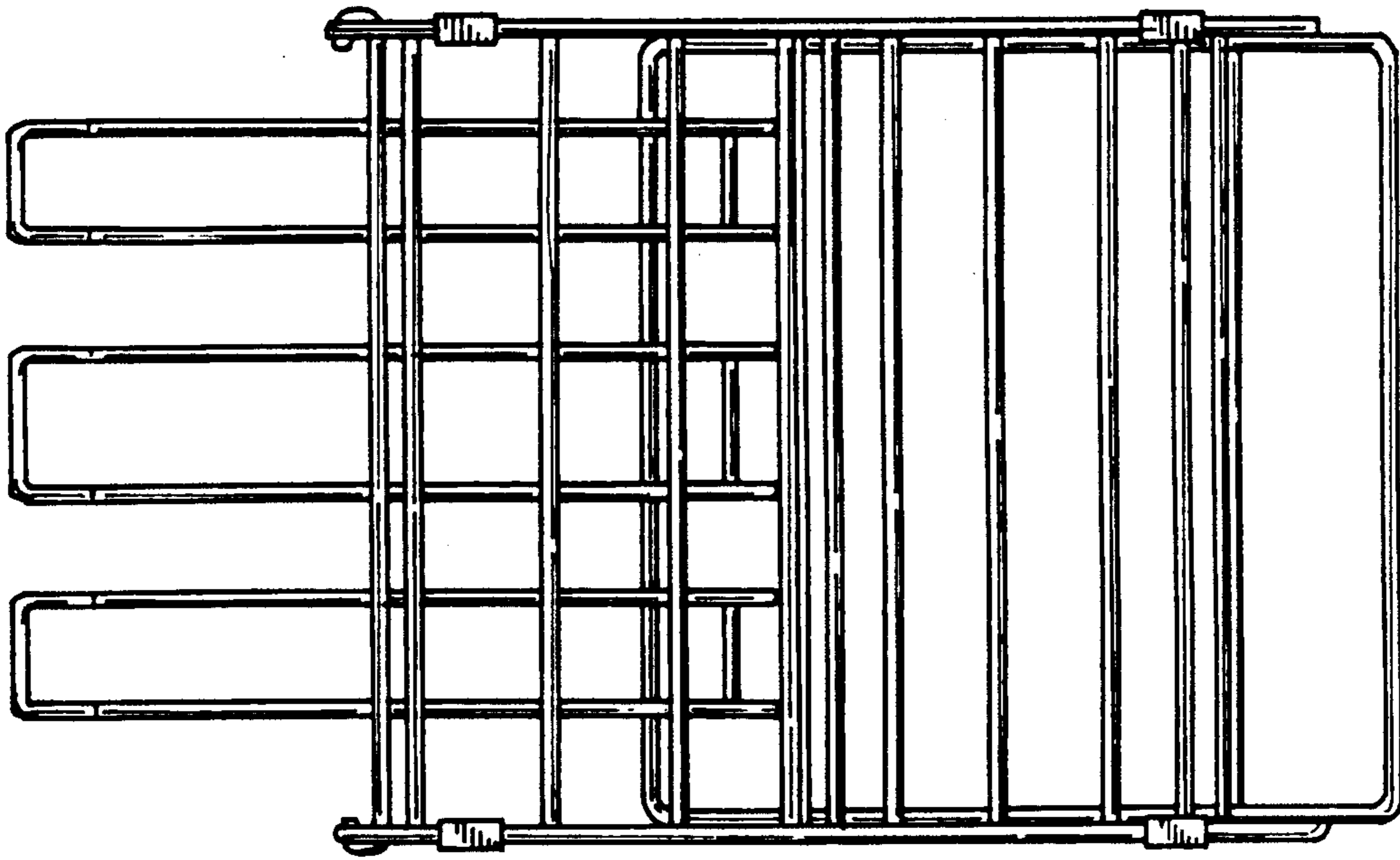


FIG. 5

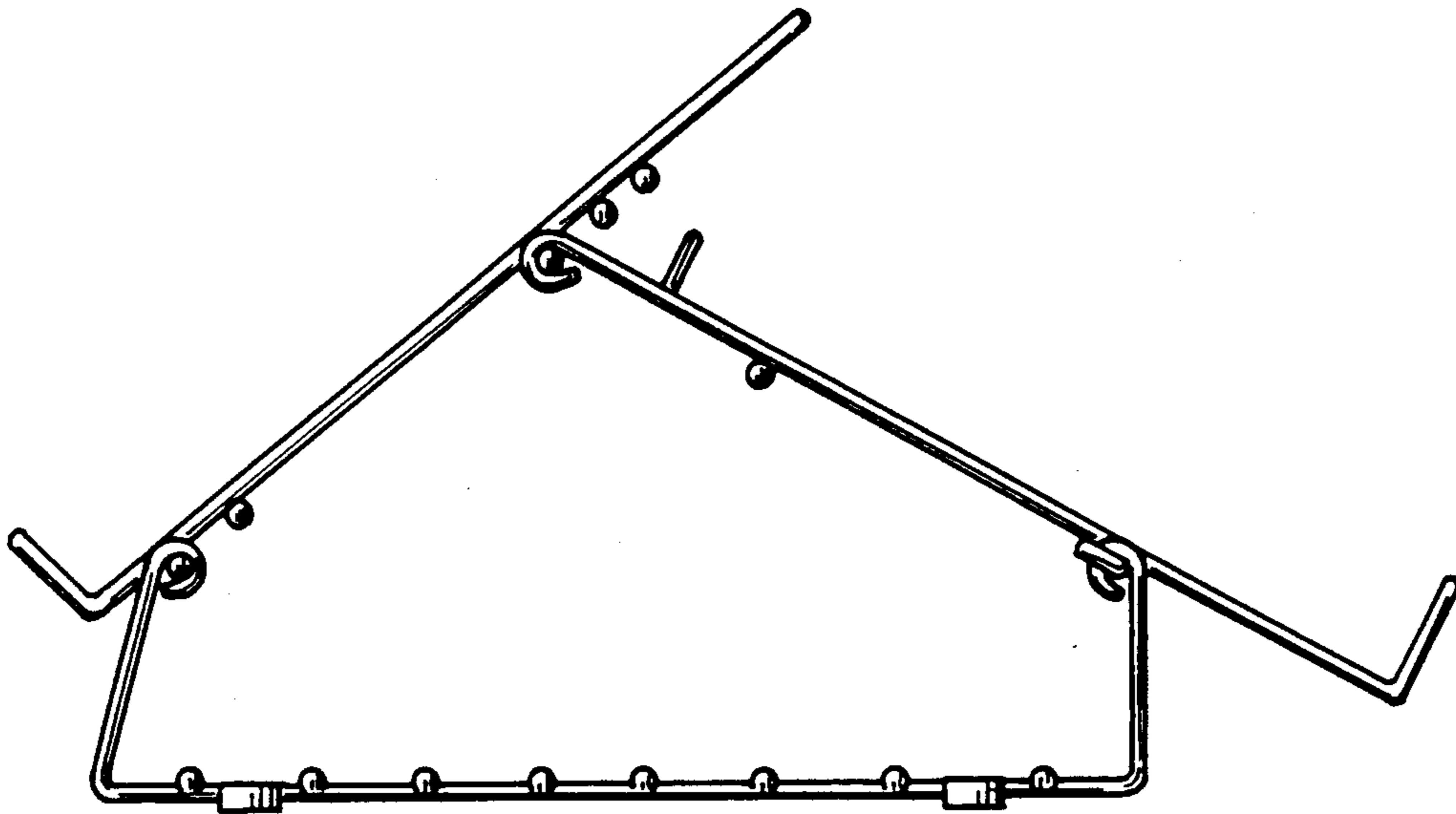


FIG. 6

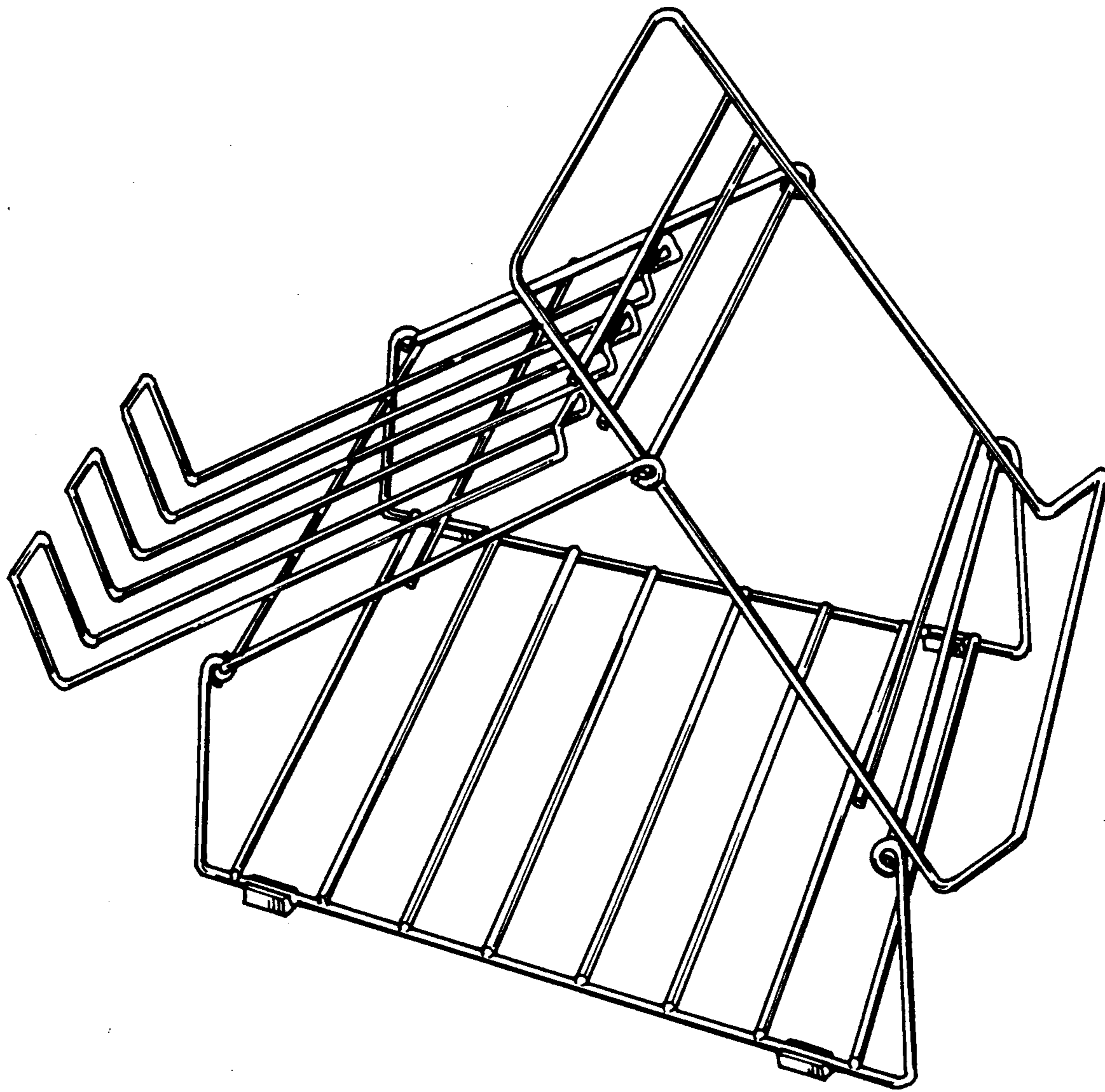


FIG. 7