

[54] SHOULDER REST FOR TELEPHONE  
HANDSET OR THE LIKE

[76] Inventors: Donald L. Greenwood, Sr., 3117  
Lakeshore Dr.; Donald L.  
Greenwood, Jr., 2200 Tulip St., both  
of Longmont, Colo. 80501

[\*\*] Term: 14 Years

[21] Appl. No.: 441,415

[22] Filed: Nov. 27, 1989

[52] U.S. Cl. .... D14/253

[58] Field of Search ..... D14/253, 251; 379/449,  
379/454, 446, 437, 439, 451, 452

[56] References Cited

U.S. PATENT DOCUMENTS

D. 211,182	5/1968	Zacharia	.....	D14/251
D. 287,496	12/1986	Bricker	.....	D14/253
D. 294,025	2/1988	Boyker	.....	D14/253
2,486,438	11/1949	Scarlett	.....	379/449
2,493,954	1/1950	Epstein	.....	379/449 X
2,816,963	12/1957	Norton	.....	379/449
2,863,954	12/1958	Renneker	.....	379/449
2,910,547	10/1959	Cromer	.....	379/449

3,347,998	10/1967	Cunningham	.....	379/449
3,435,158	3/1969	Derrasse	.....	379/449
4,759,058	7/1988	Sutton	.....	379/449

FOREIGN PATENT DOCUMENTS

8262305	12/1981	PCT Int'l Appl.	.....	379/449
2152783A	8/1985	United Kingdom	.....	379/449

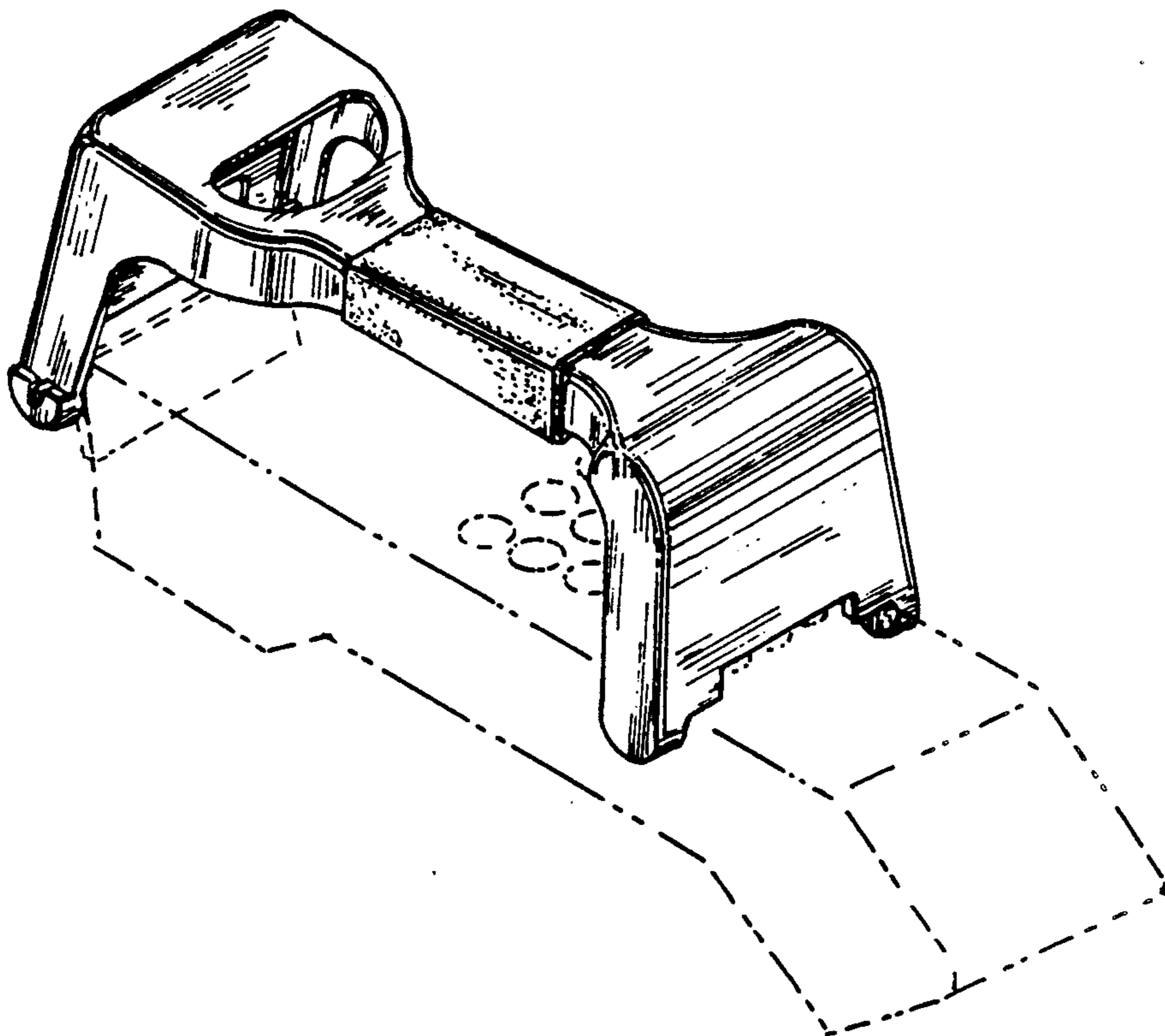
Primary Examiner—Horace B. Fay, Jr.  
Attorney, Agent, or Firm—James E. Pittenger

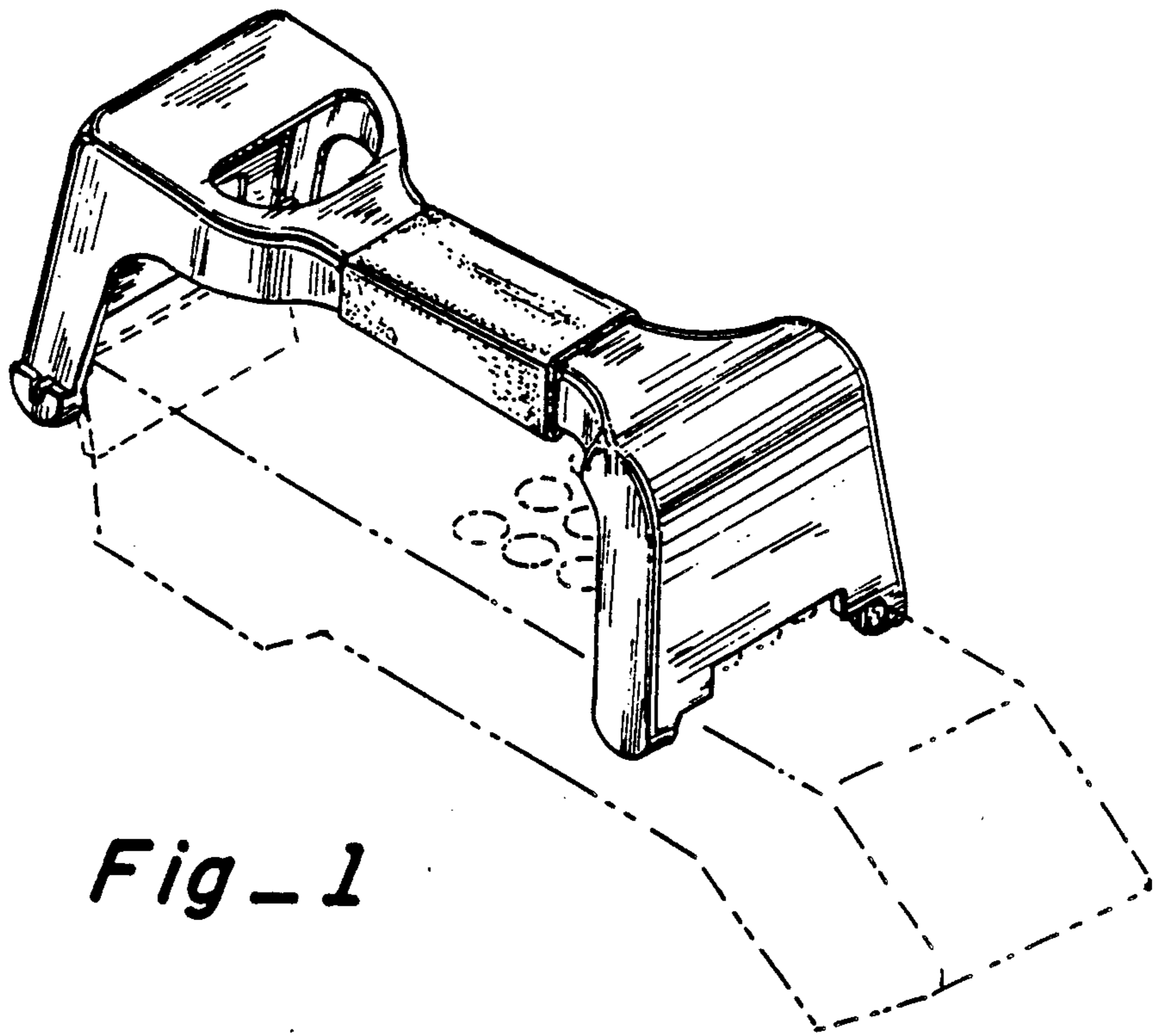
[57] CLAIM

The ornamental design for the shoulder rest for tele-  
phone handset or the like, as shown and described.

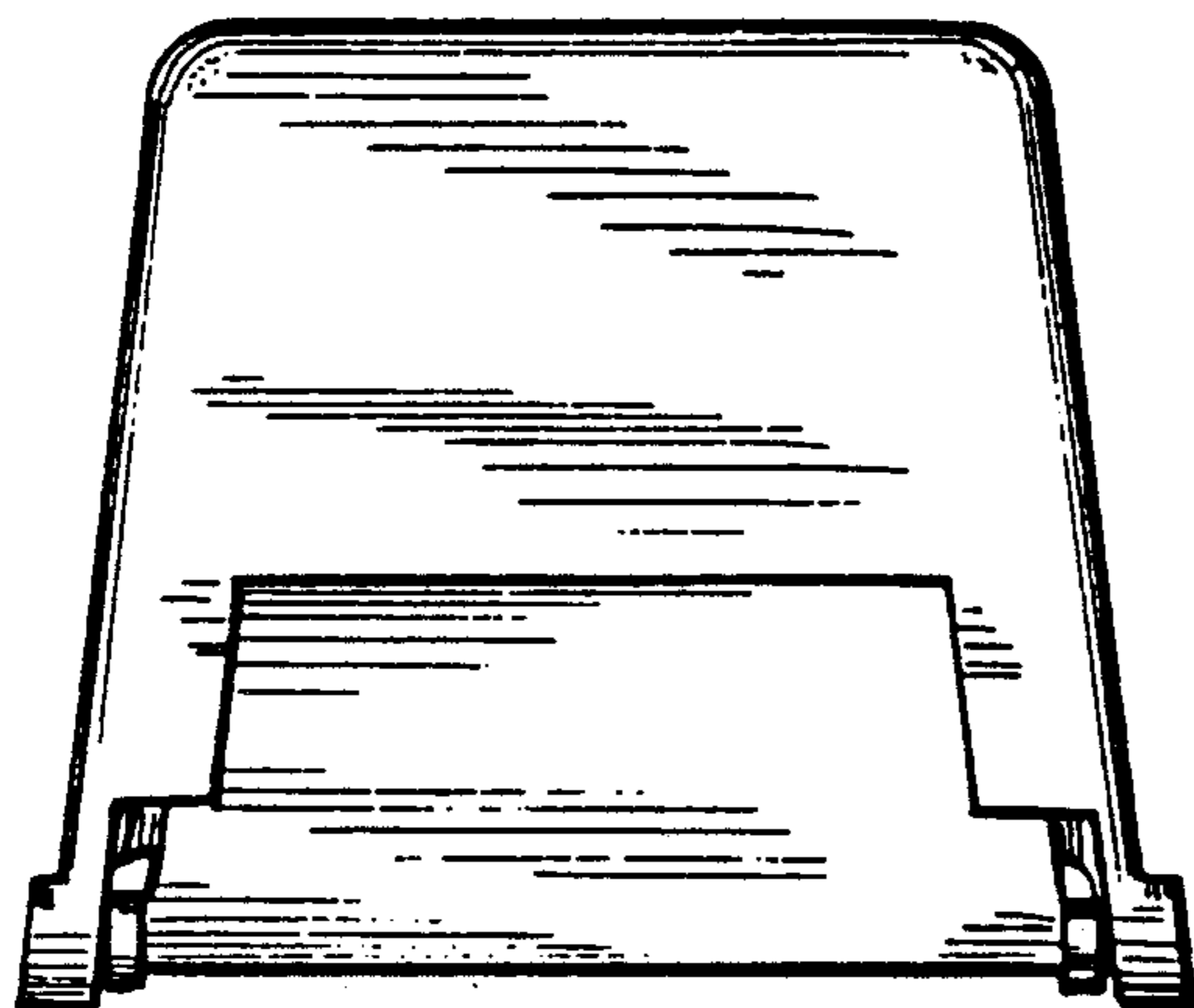
DESCRIPTION

FIG. 1 is a left side, top and rear perspective view of a  
shoulder rest for telephone handset or the like;  
FIG. 2 is a top plan view thereof;  
FIG. 3 is a left side elevational view thereof, the side  
opposite being a mirror image;  
FIG. 4 is a bottom plan view thereof;  
FIGS. 5 and 6 are respectively front and rear eleva-  
tional views thereof.  
The broken line showing of a telephone handset in FIG.  
1 is for illustrative purposes only and forms no part of  
the claimed design.

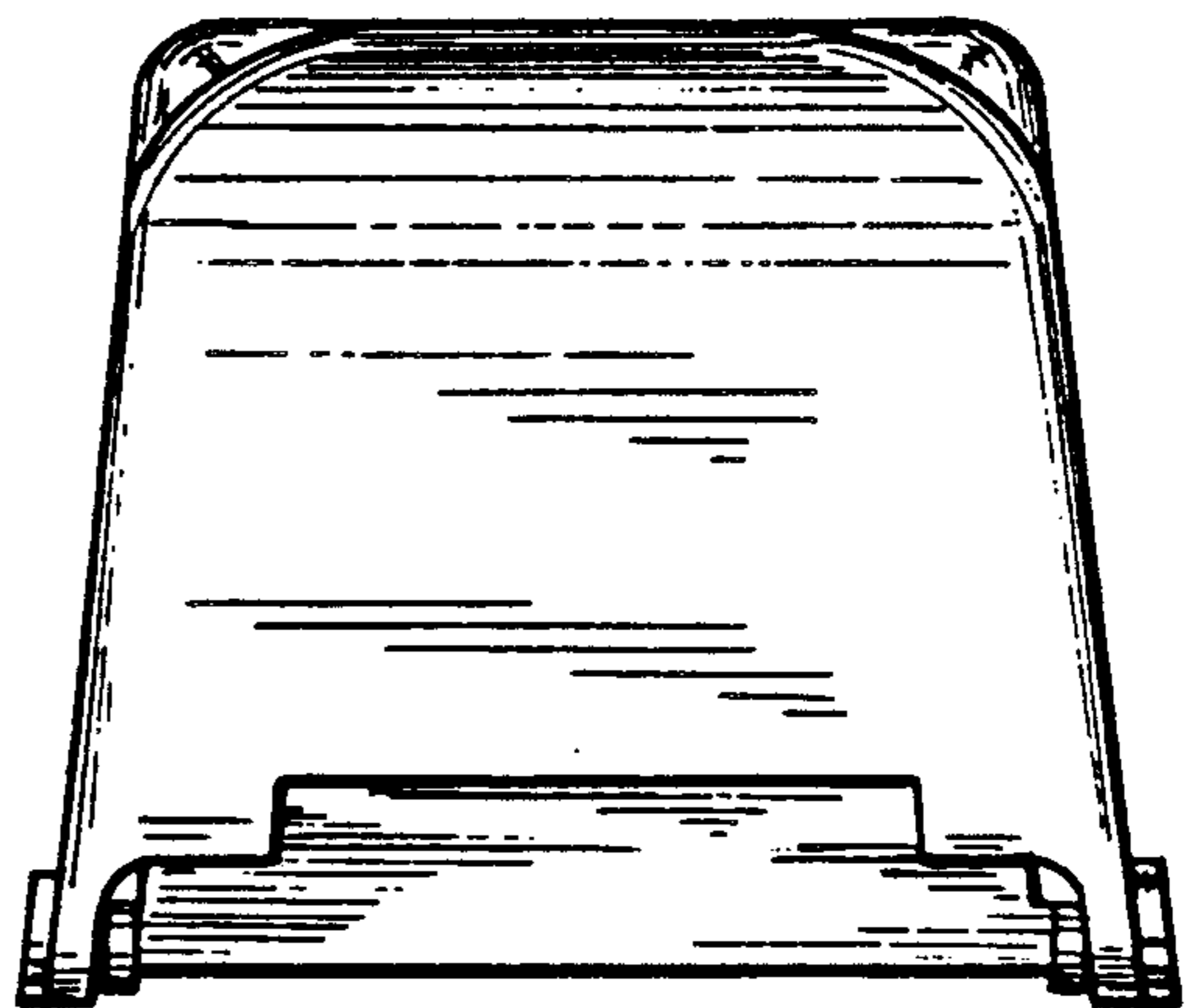




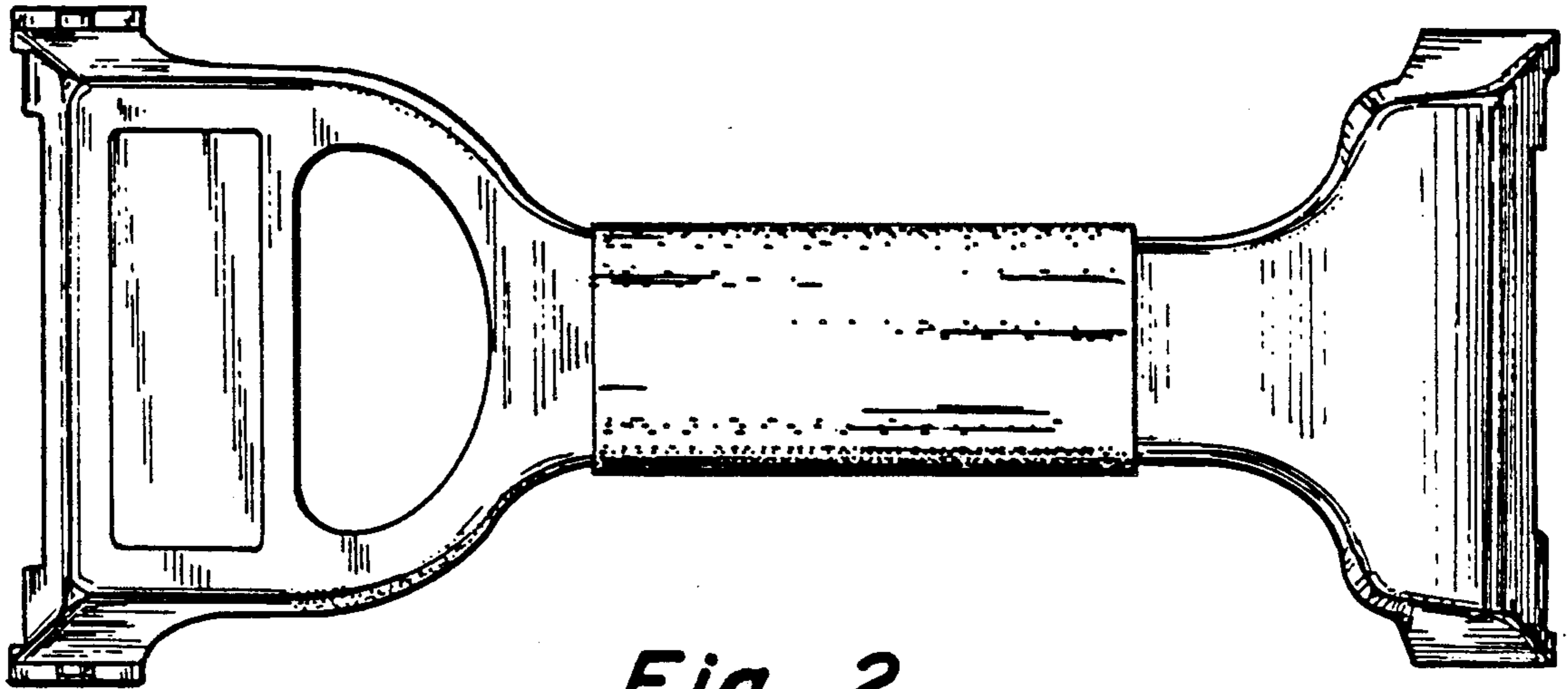
*Fig\_1*



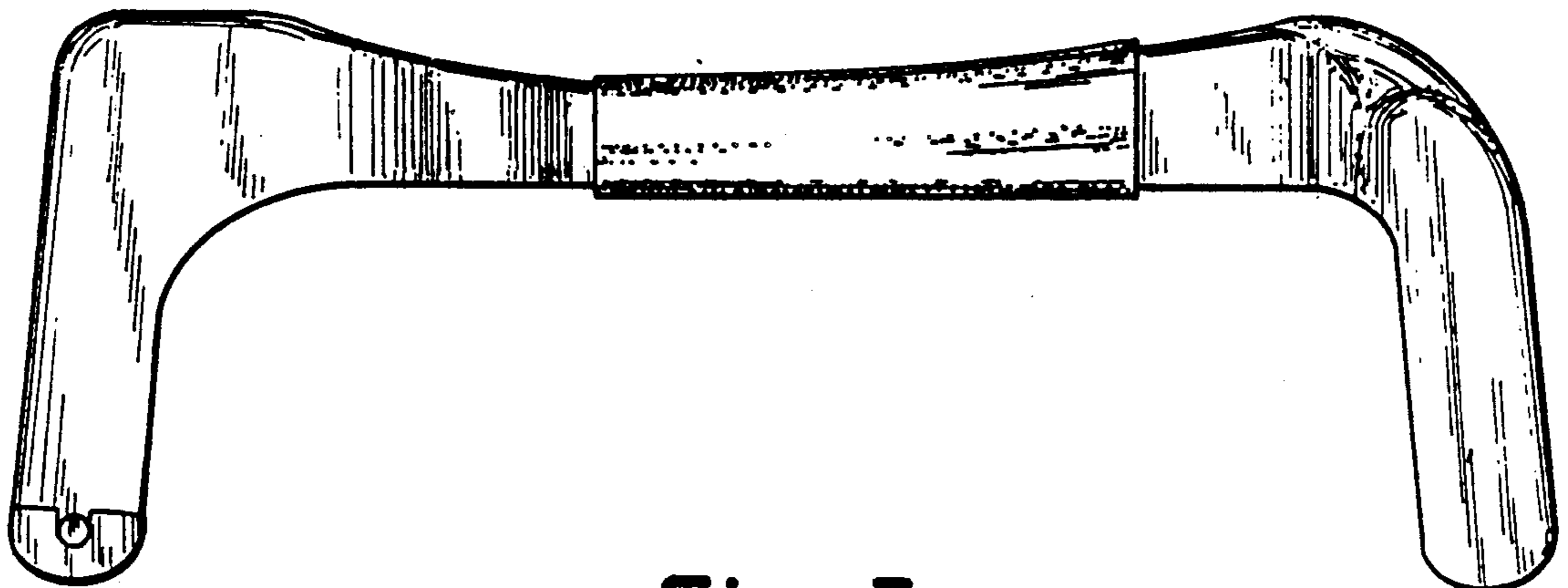
*Fig\_5*



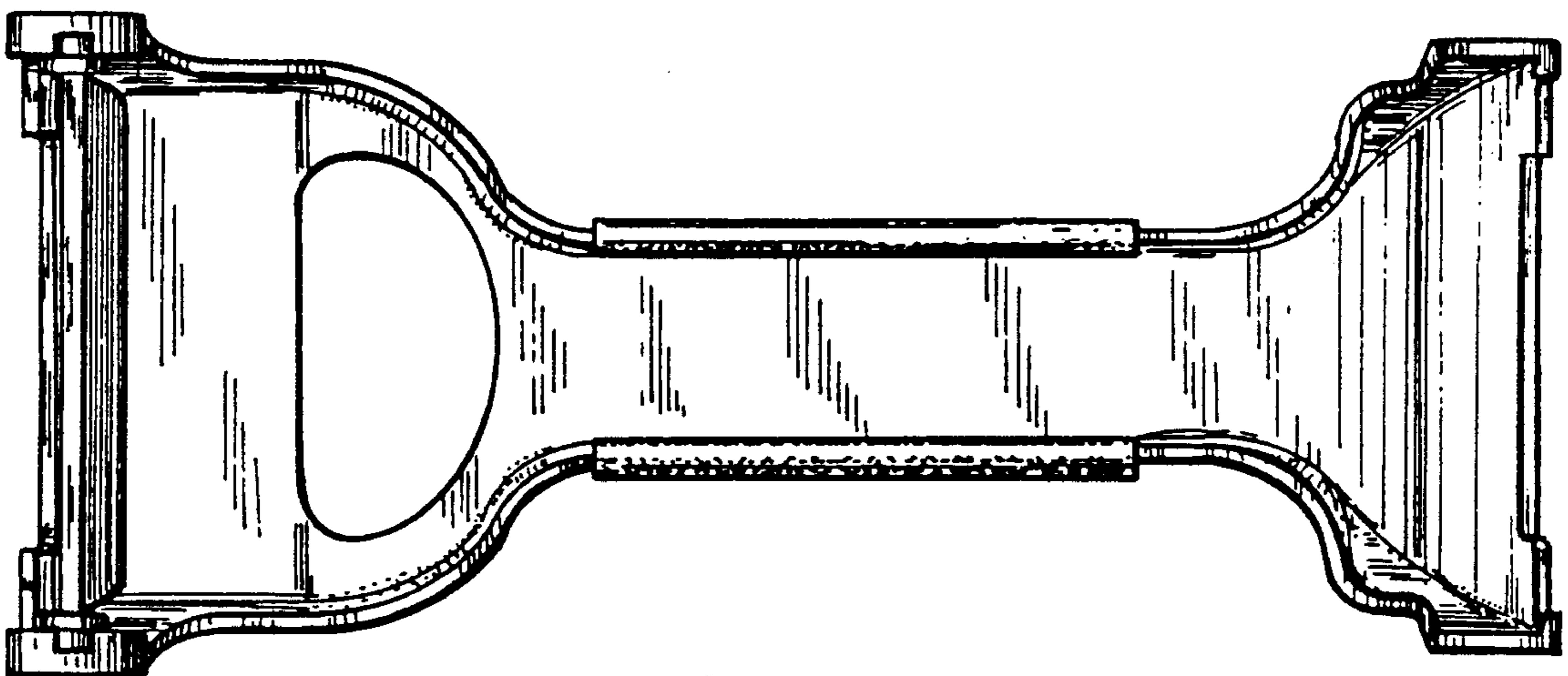
*Fig\_6*



*Fig\_2*



*Fig\_3*



*Fig\_4*