

[54] BASE FOR A TELEPHONE HANDSET OR SIMILAR ARTICLE

[75] Inventor: Carlton M. Langton, Nottingham, England

[73] Assignee: GEC Plessey Telecommunications Limited, Coventry, England

[**] Term: 14 Years

[21] Appl. No.: 379,446

[22] Filed: Jul. 13, 1989

[30] Foreign Application Priority Data

Jan. 19, 1989 [GB] United Kingdom 1056483

[52] U.S. Cl. D14/251

[58] Field of Search D14/138, 142, 253, 151, D14/149, 147; 379/436, 433, 354, 58-59, 446, 428; D21/111

[56] References Cited

U.S. PATENT DOCUMENTS

D. 157,849 3/1950 Dreyfuss D14/253

D. 245,500 8/1977 Fukushima et al. D14/138 X
 D. 248,758 8/1978 Krolopp et al. D14/138
 D. 271,872 12/1983 Janda D14/142
 D. 302,272 7/1989 Sharp, Jr. D14/142
 D. 304,830 11/1989 Sutoh D14/142 X
 4,142,312 3/1979 Stokes D14/138 X
 4,710,596 12/1987 Kanakawa 379/424

Primary Examiner—Horace B. Fay, Jr.
Attorney, Agent, or Firm—Fleit, Jacobson, Cohn, Price, Holman & Stern

[57] CLAIM

The ornamental design for a base for a telephone handset or similar article, as shown and described.

DESCRIPTION

FIG. 1 is a top and right side perspective view of a base for a telephone handset or similar article showing my new design;

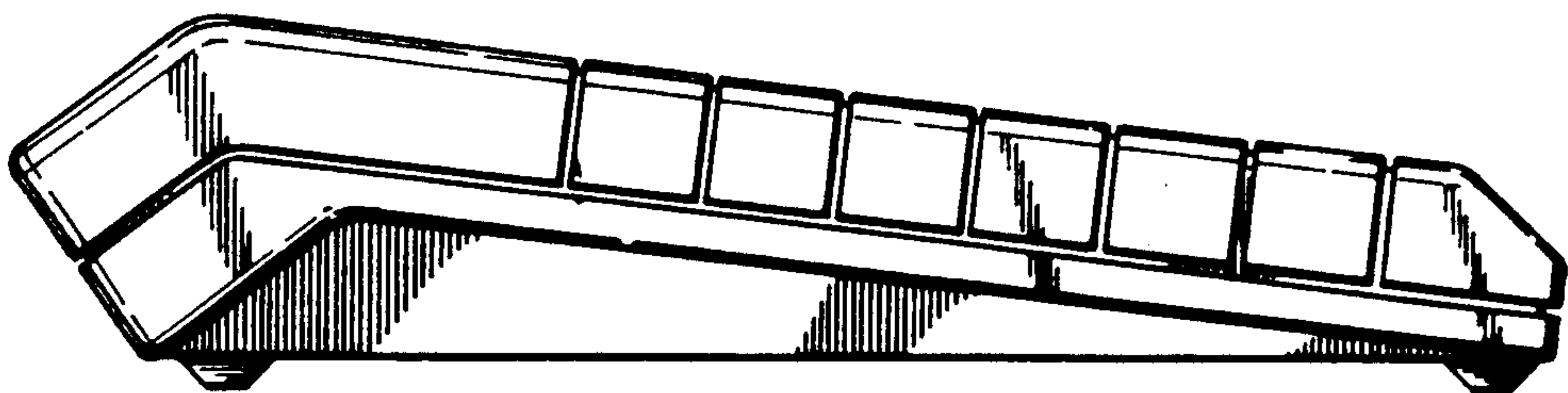
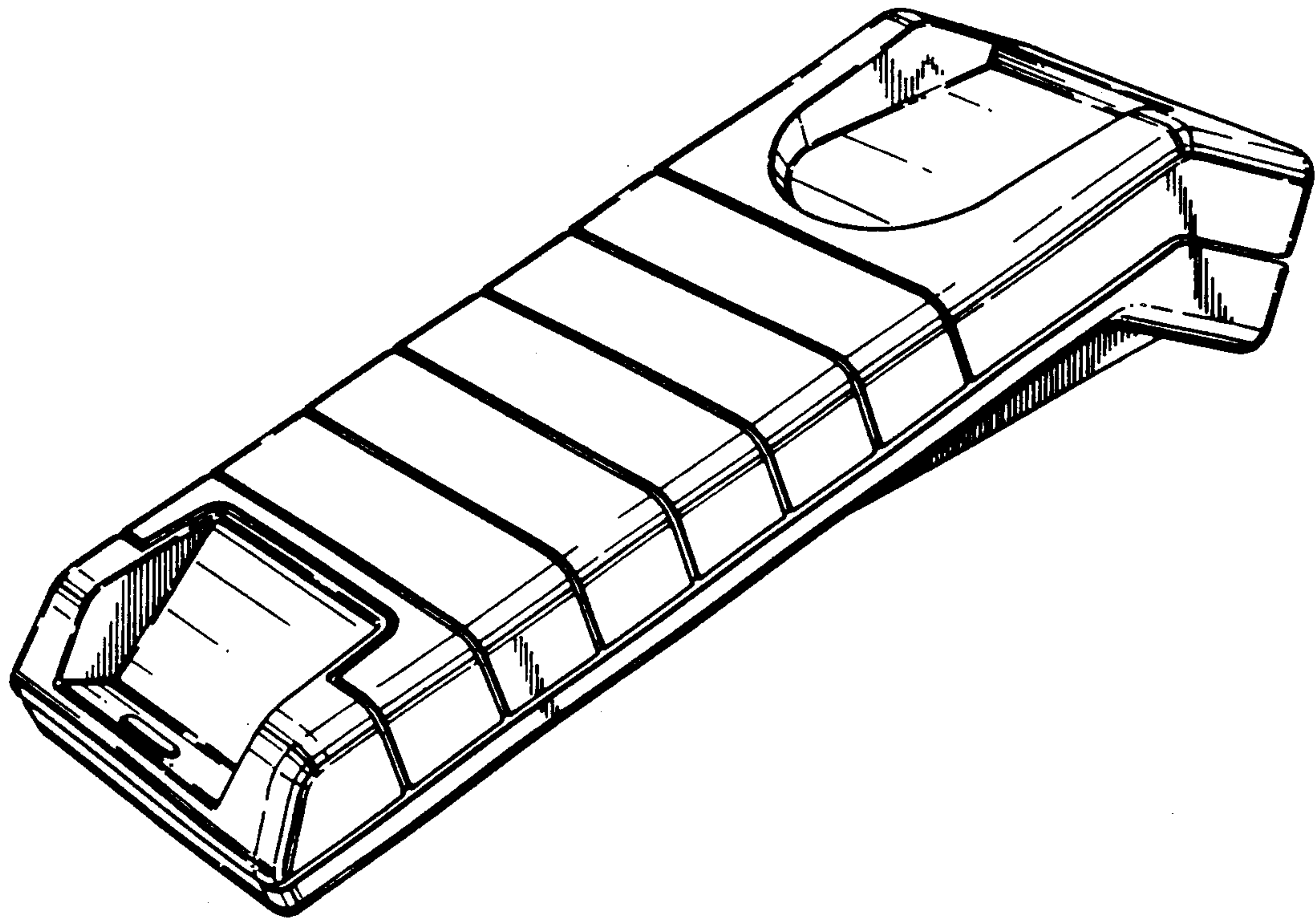
FIG. 2 is a left side elevational view thereof;

FIG. 3 is a rear elevational view thereof;

FIG. 4 is a top plan view thereof;

FIG. 5 is a bottom plan view thereof; and

FIG. 6 is a front elevational view thereof.



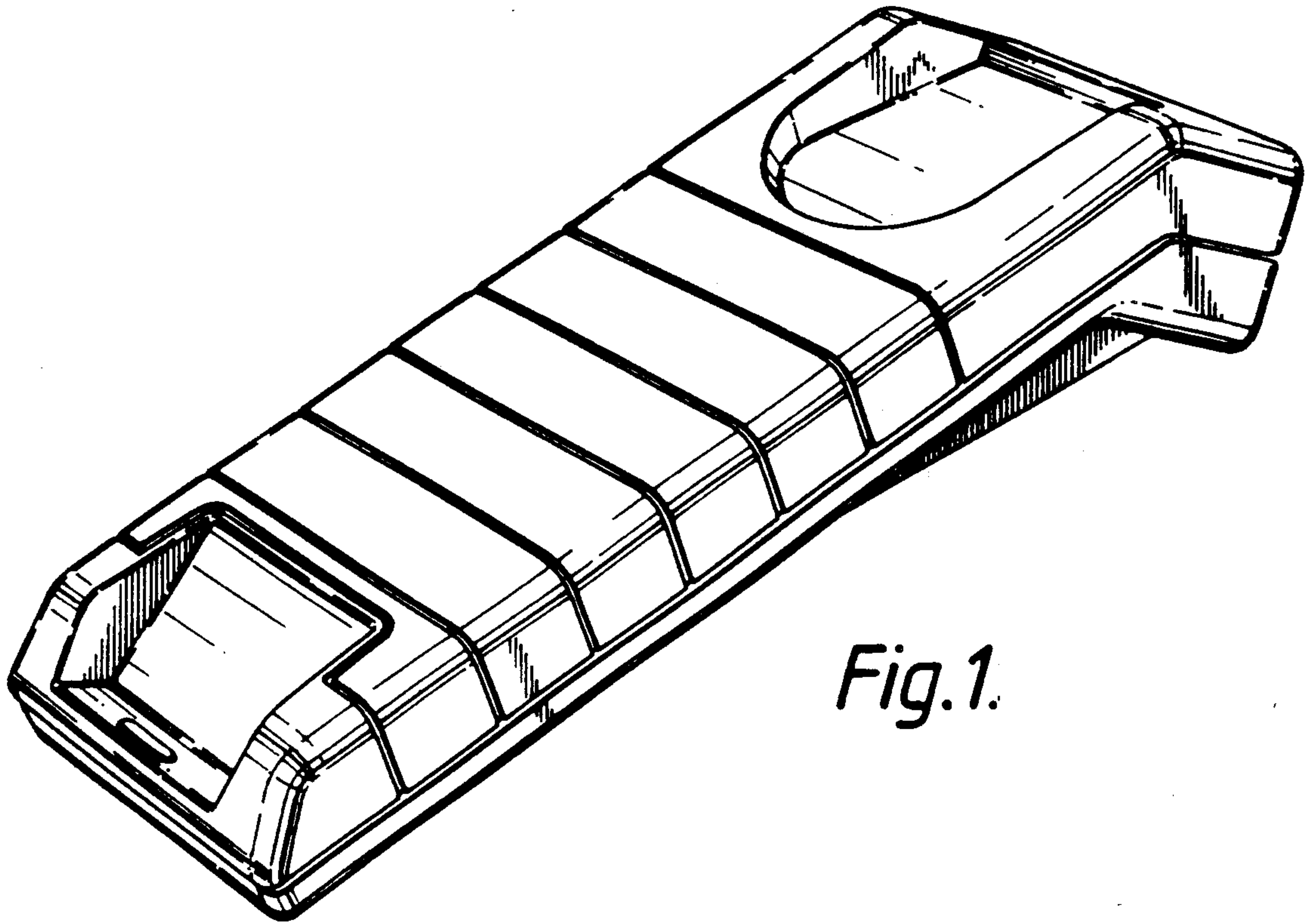


Fig. 1.

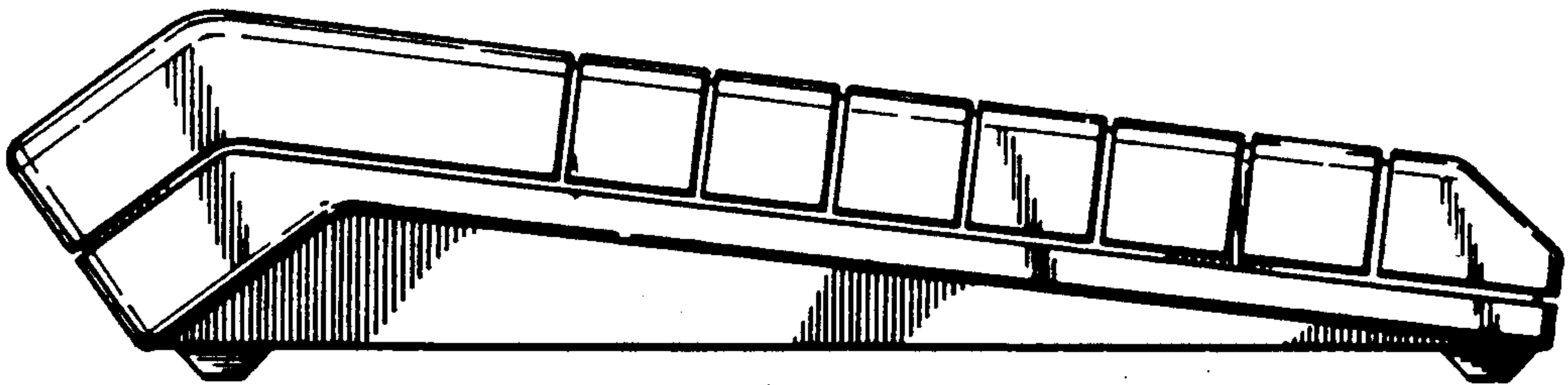


Fig. 2.

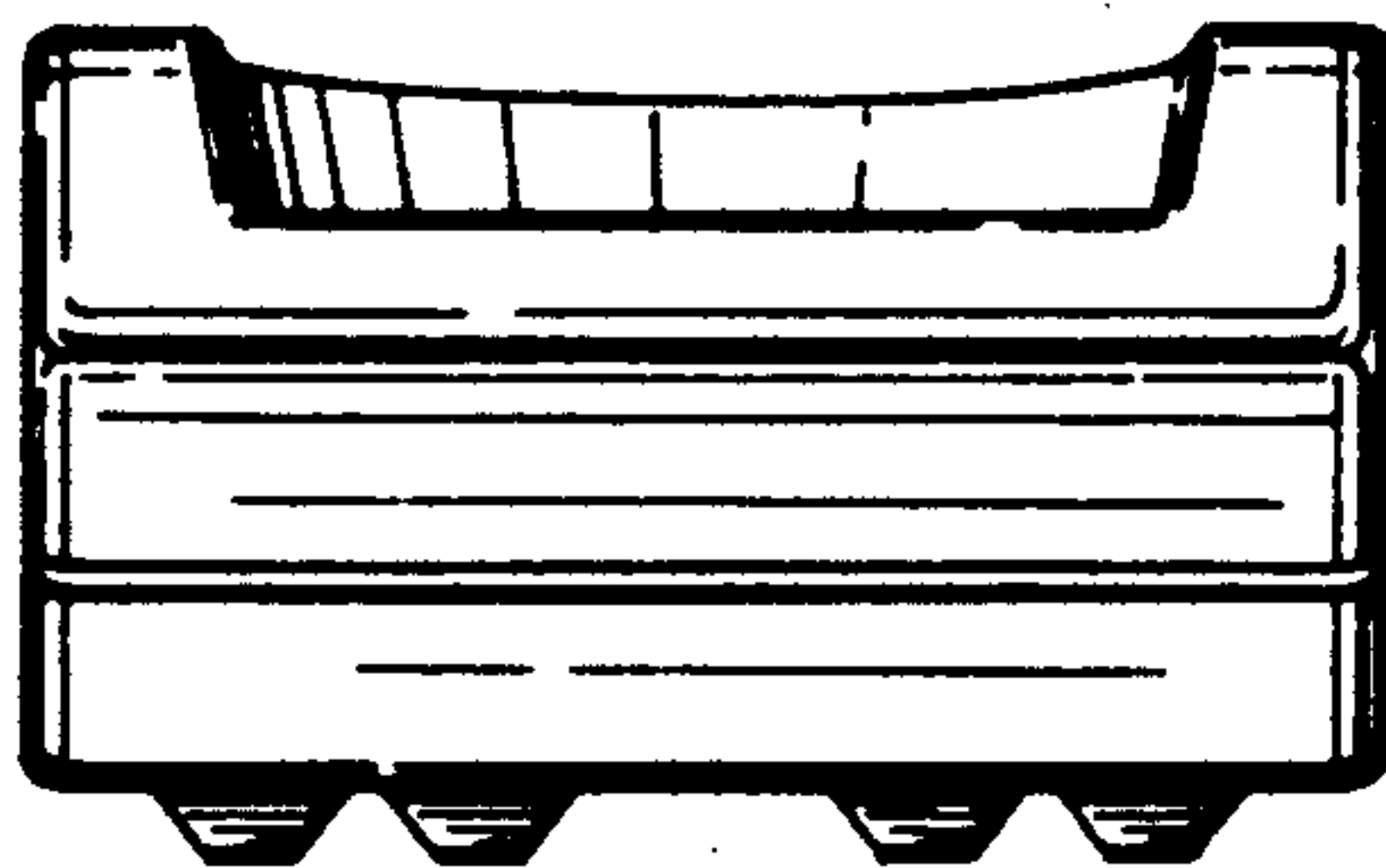


Fig. 3.

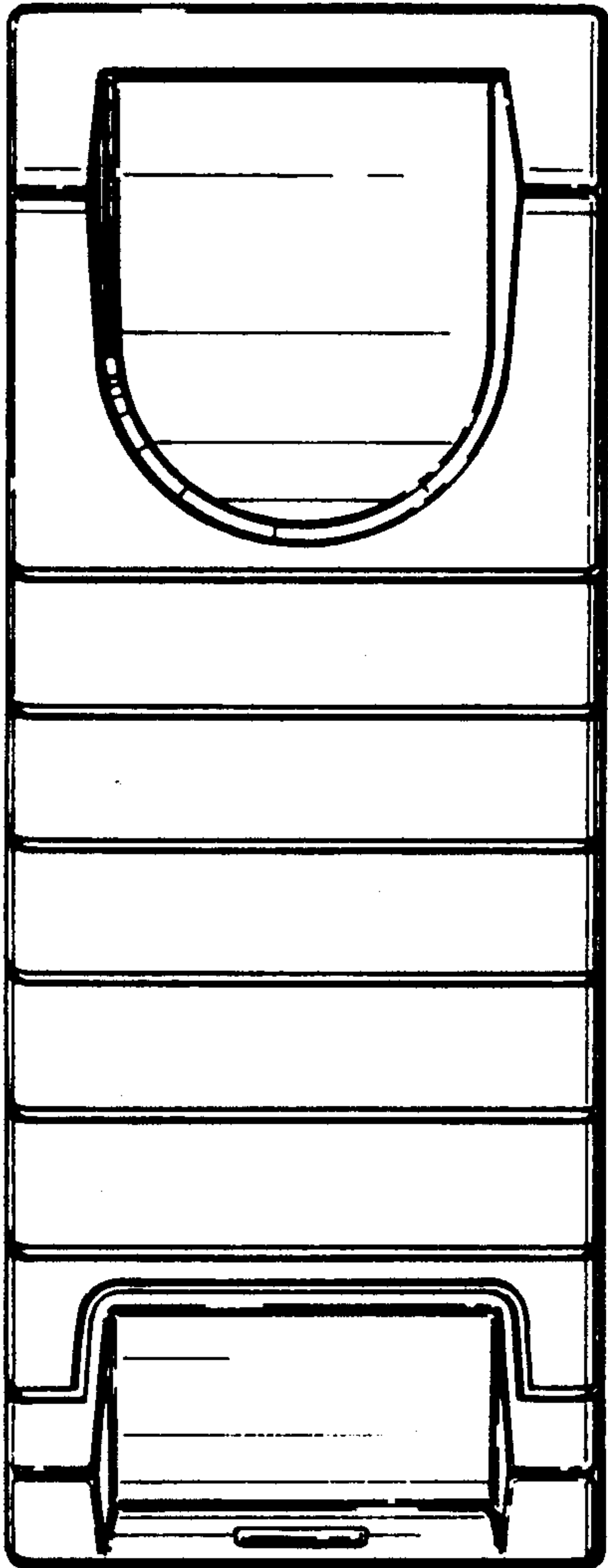


Fig. 4.

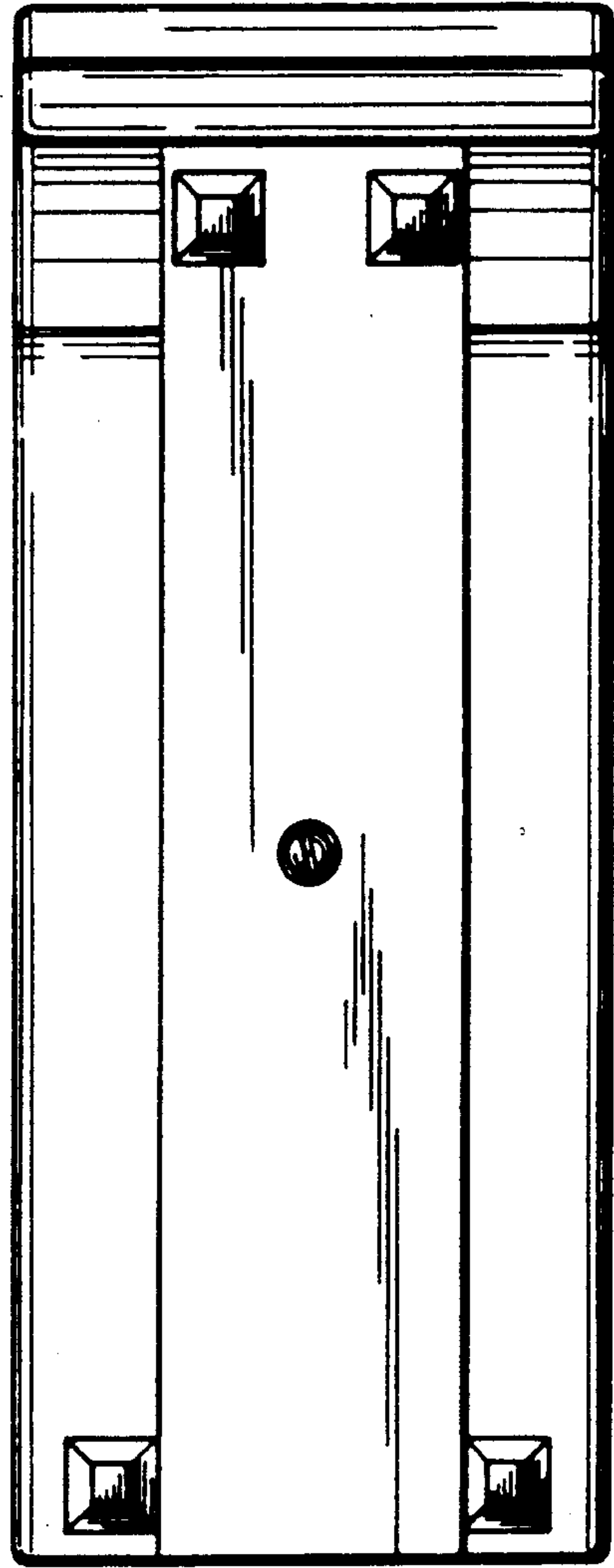


Fig. 5.

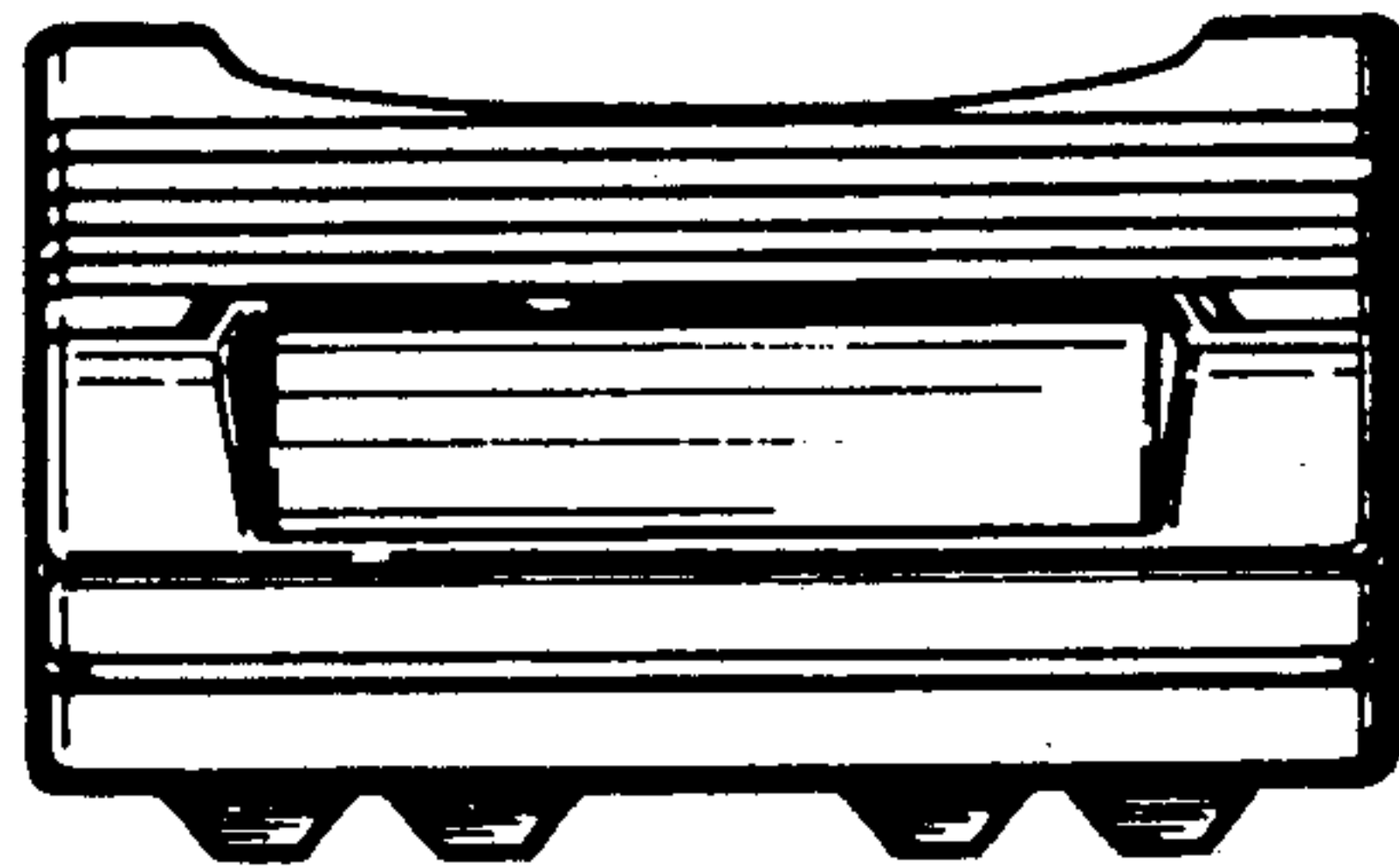


Fig. 6.