

[54] ANTENNA FOR A CELLULAR TELEPHONE

[75] Inventor: Herb Velazquez, Villa Park, Ill.

[73] Assignee: The Antenna Company, Broadview, Ill.

[\*\*] Term: 14 Years

[21] Appl. No.: 194,577

[22] Filed: May 16, 1988

[52] U.S. Cl. .... D14/234; D14/238

[58] Field of Search ..... D14/230-238,  
D14/299; 343/713, 715, 872

[56] References Cited

U.S. PATENT DOCUMENTS

- D. 259,115 5/1981 Steinhof et al. .... D14/234
- D. 266,227 5/1981 Blaese ..... D14/715
- D. 297,841 9/1988 Shimazaki ..... D14/234
- D. 785,305 11/1988 Shyu ..... D14/713

FOREIGN PATENT DOCUMENTS

- 2397075 3/1979 France ..... 343/713

OTHER PUBLICATIONS

Fordham 1987 Catalog; p. 139; center-right Avanti on-glass AM/FM auto antenna.

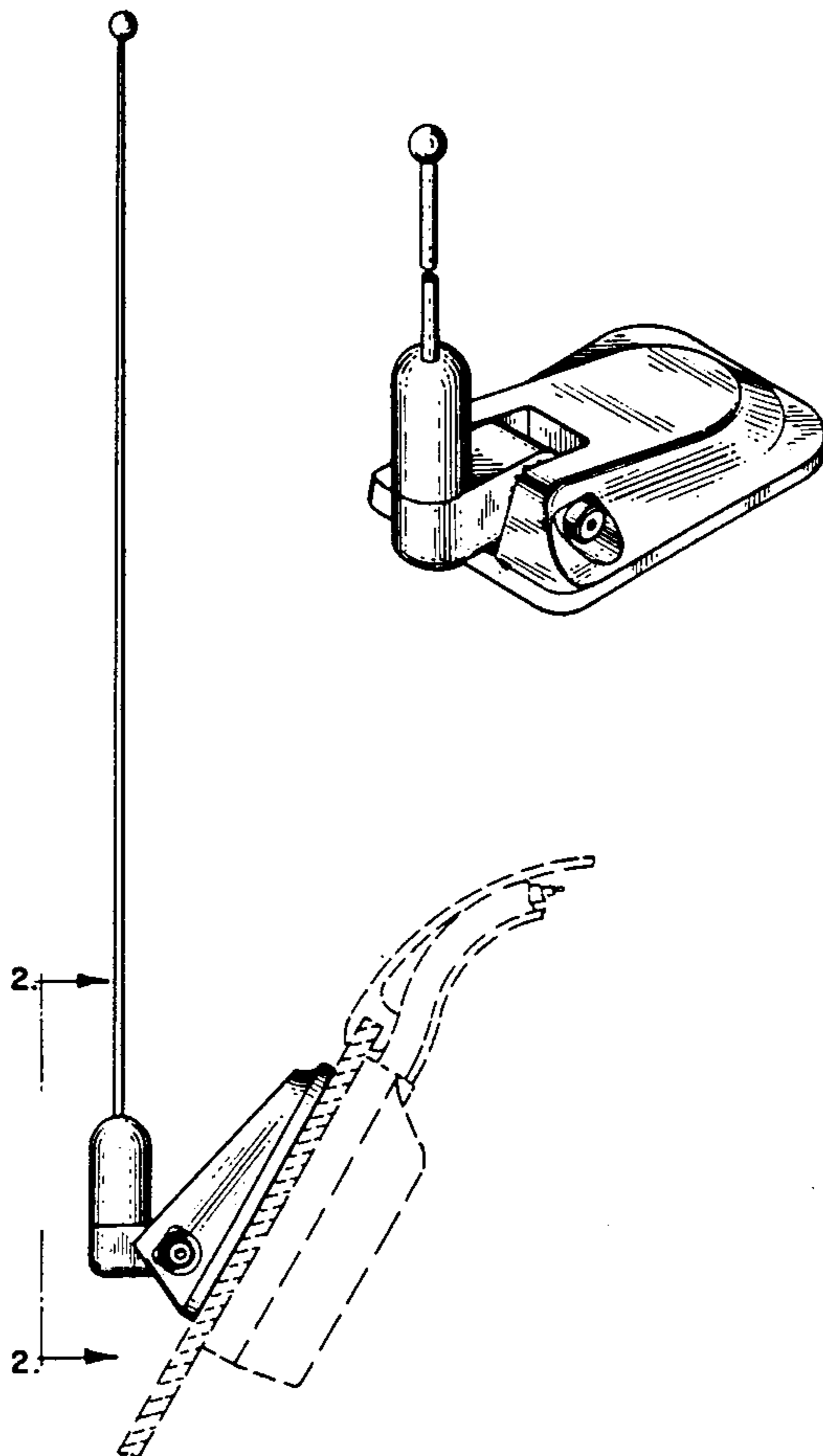
Primary Examiner—Theodore M. Shooman  
Attorney, Agent, or Firm—Lockwood Alex Fitzgibbon & Cummings

[57] CLAIM

The ornamental design for an antenna for a cellular telephone, as shown and described.

DESCRIPTION

FIG. 1 is a right side elevational view of an antenna for a cellular telephone showing my new design; FIG. 2 is a top plan view thereof, taken along line 2—2 of FIG. 1; FIG. 3 is an enlarged top, front and right side perspective view thereof; FIG. 4 is an enlarged top, front and left side perspective view thereof; FIG. 5 is an enlarged top plan view thereof; FIG. 6 is an enlarged right side elevational view thereof; FIG. 7 is an enlarged bottom plan view thereof; FIG. 8 is an enlarged left side elevational view thereof; FIG. 9 is an enlarged front elevational view thereof; and FIG. 10 is an enlarged rear elevational view thereof. The mast portion of the antenna being broken away for ease of illustration. The broken line showing in FIG. 1 is for illustrative purposes only and forms no part of the claimed design.



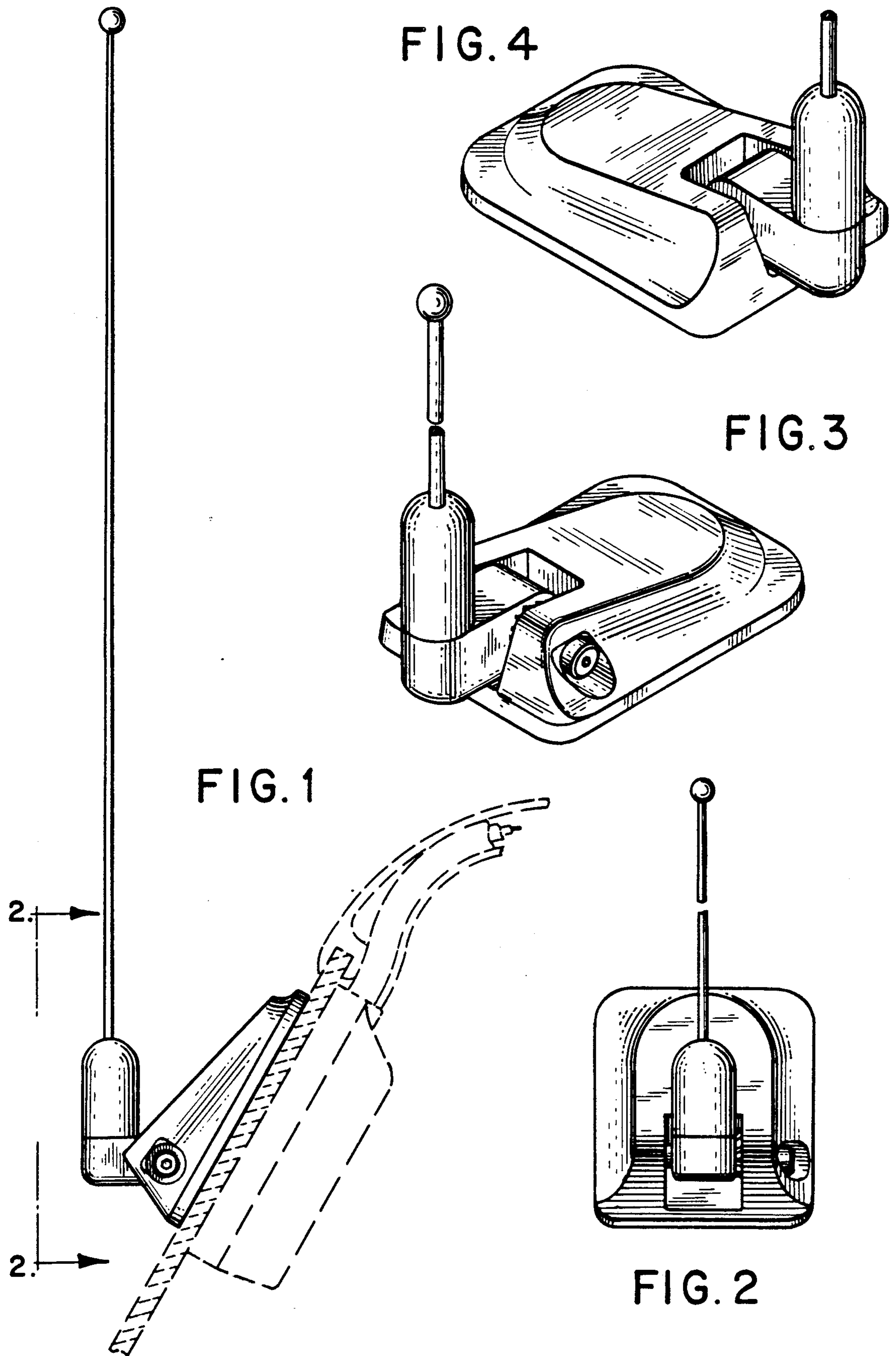


FIG. 5

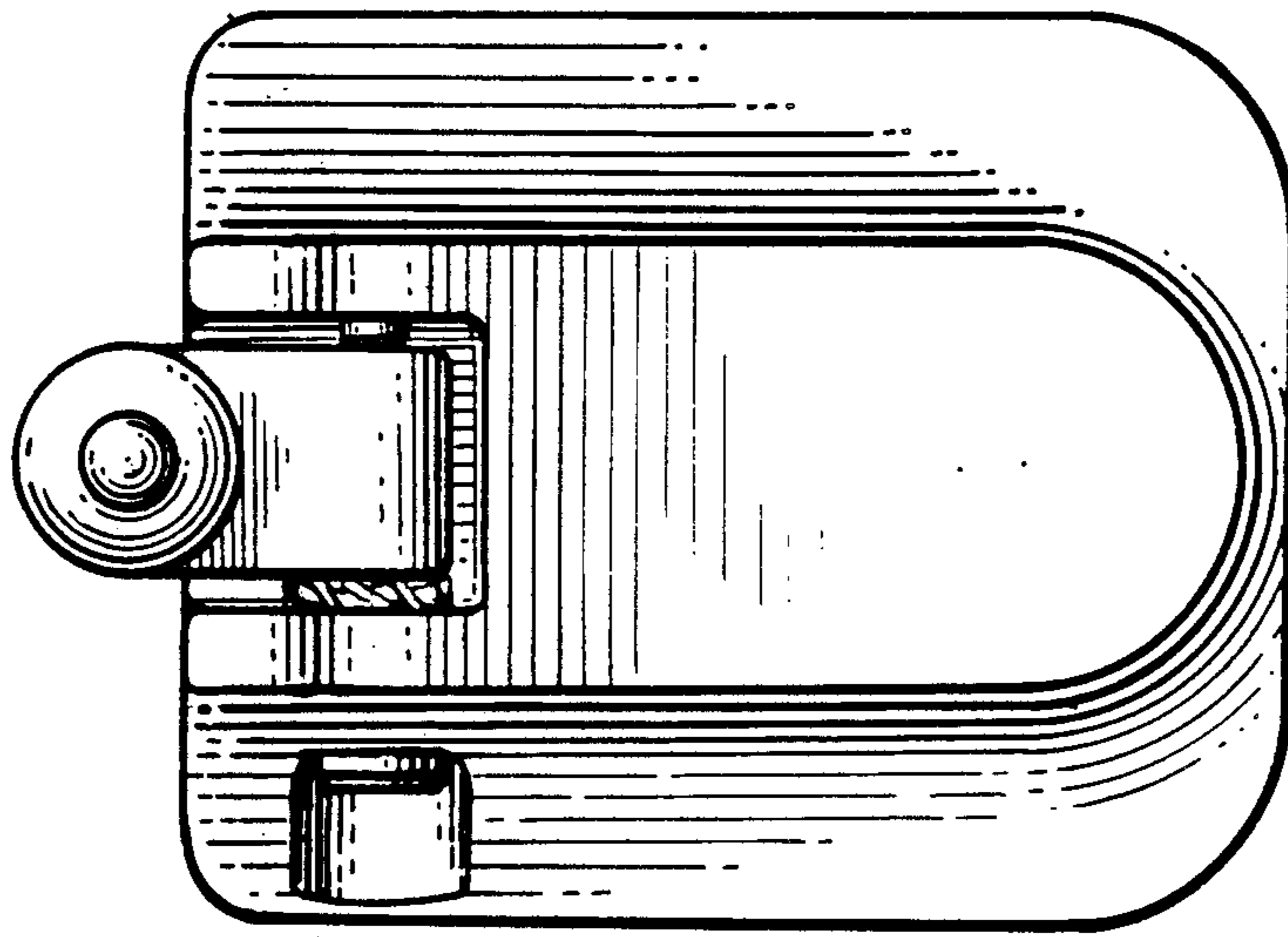


FIG. 6

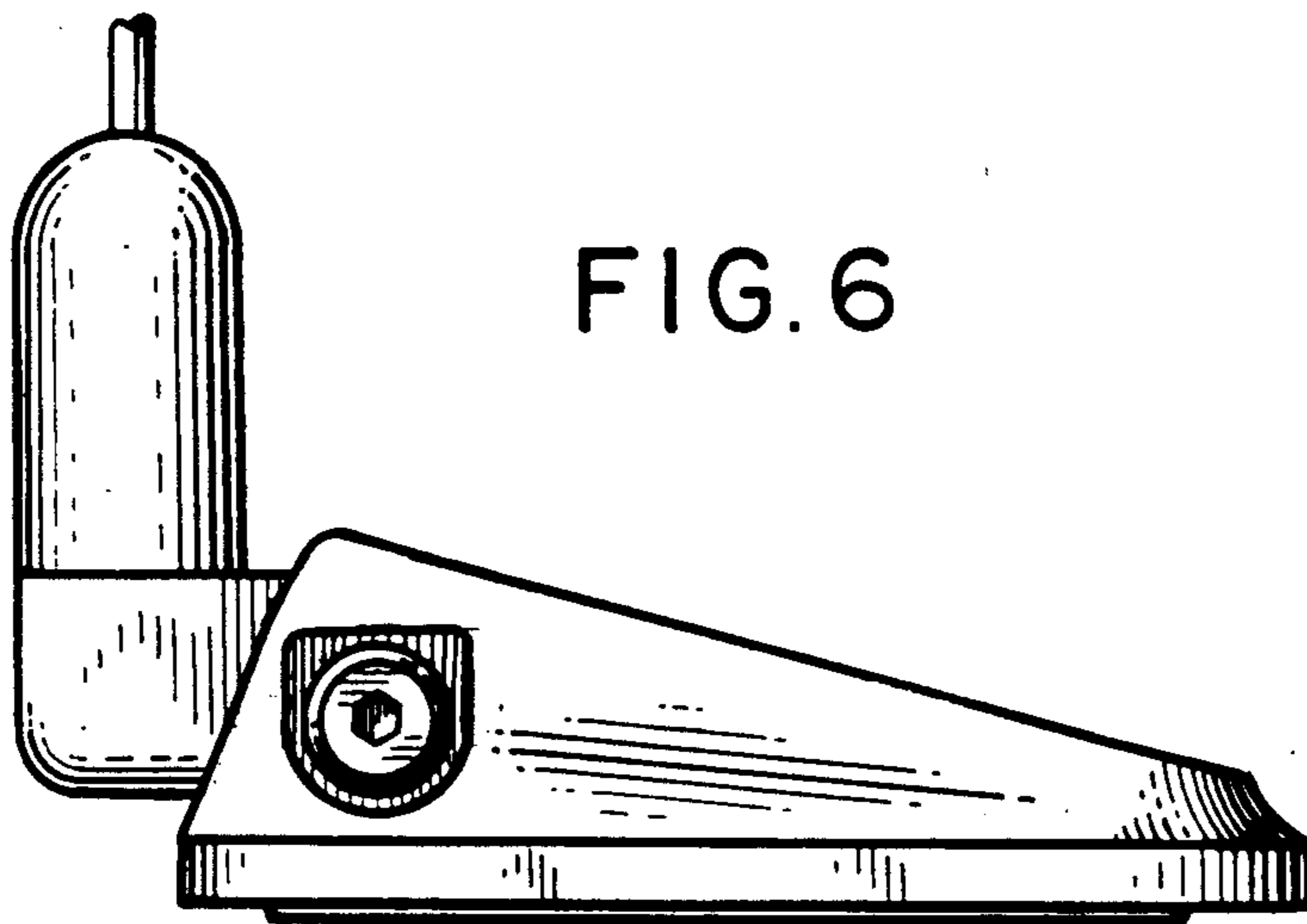


FIG. 7

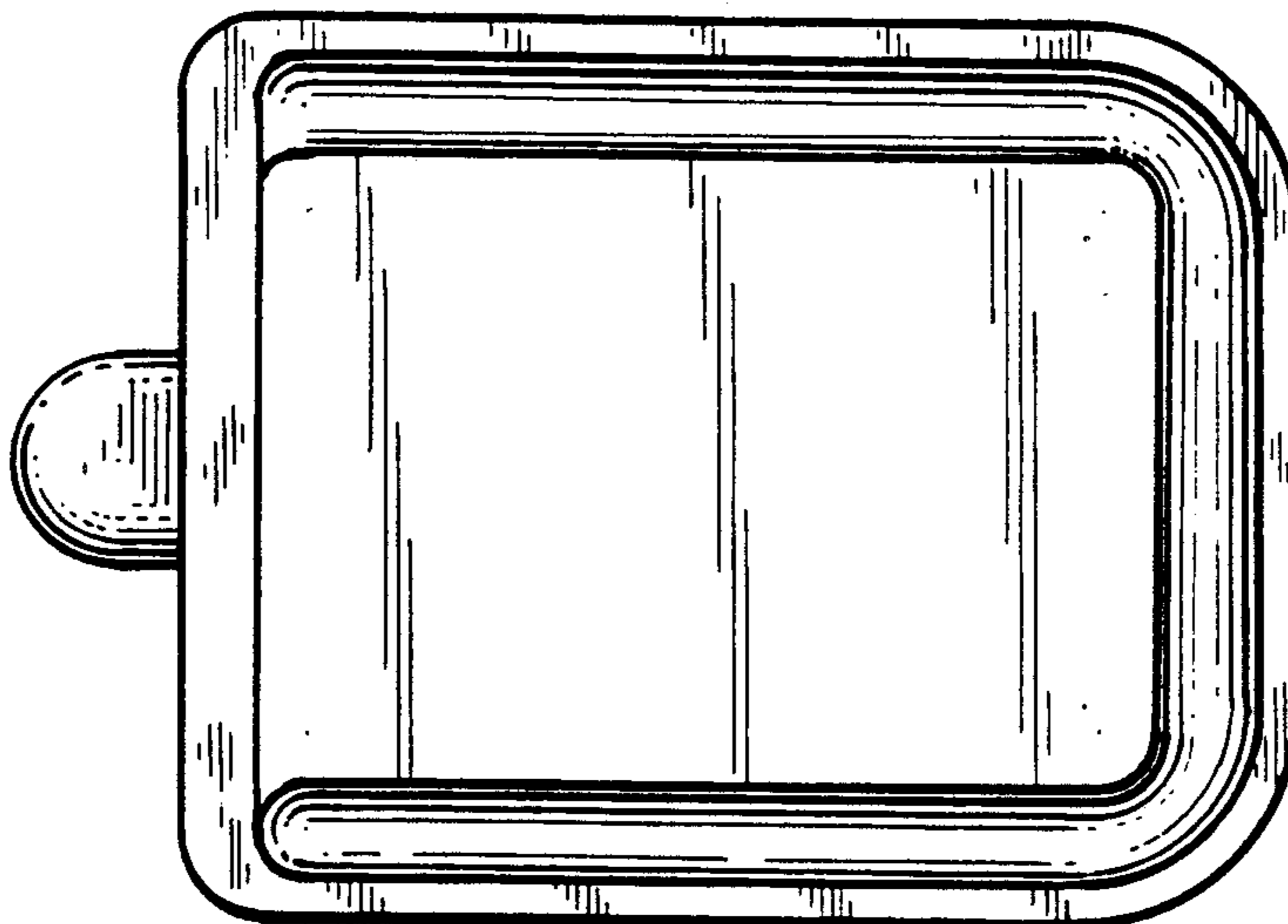


FIG. 8

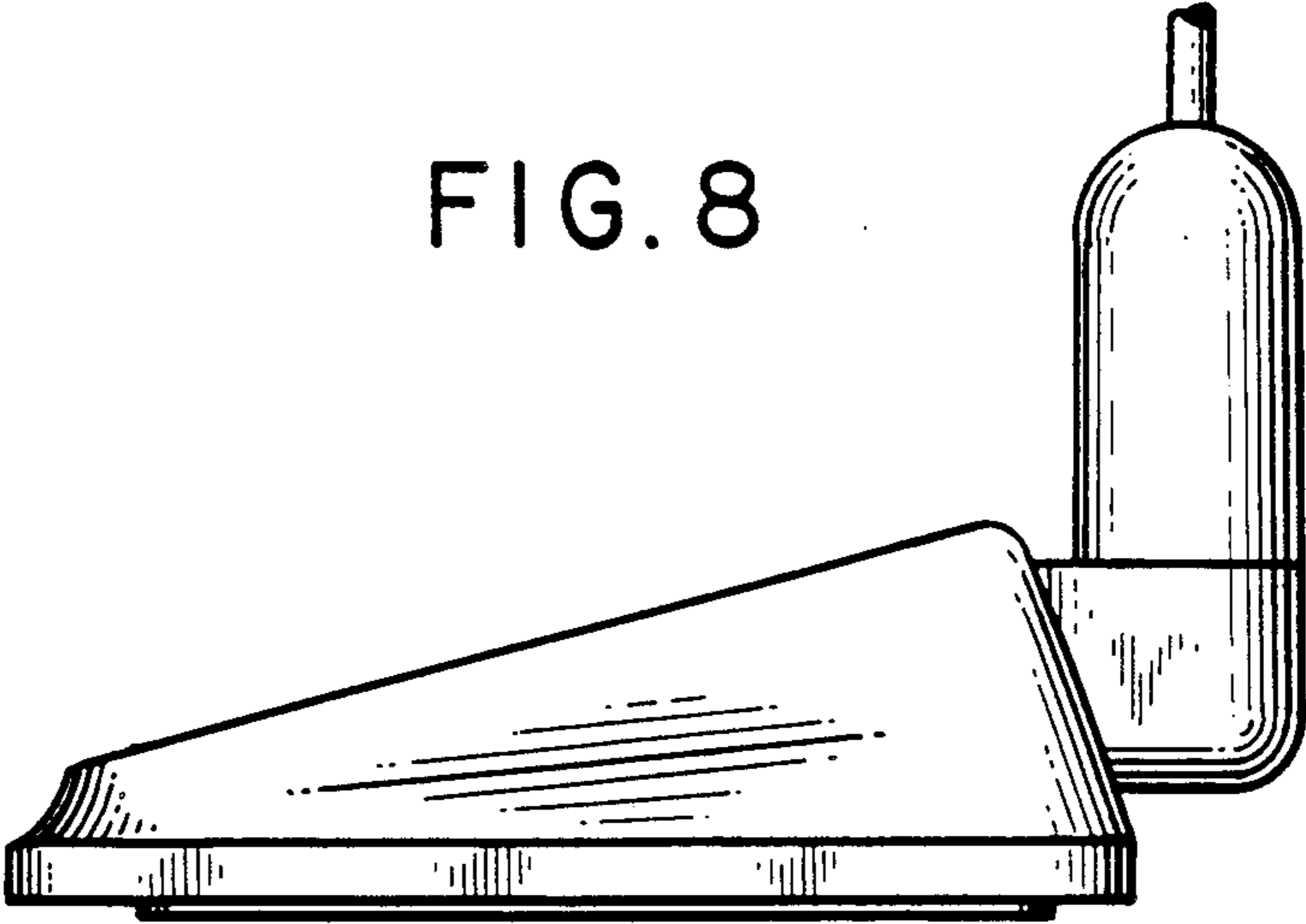


FIG. 9

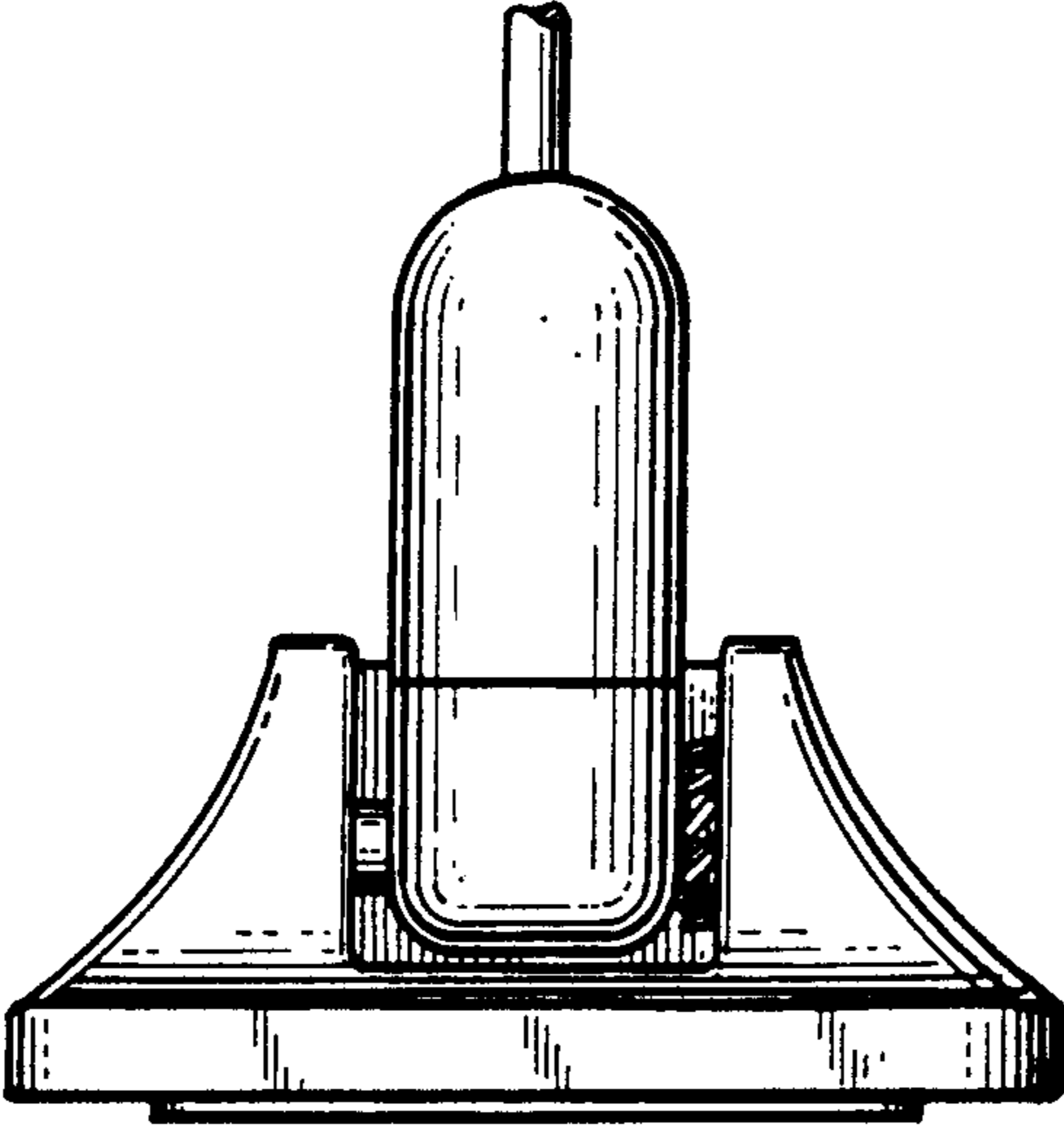


FIG. 10

