

[54] EARPHONE

[75] Inventor: Tameaki Ikeda, Tokyo, Japan

[73] Assignee: Sony Corporation, Tokyo, Japan

[**] Term: 14 Years

[21] Appl. No.: 134,902

[22] Filed: Dec. 18, 1987

[52] U.S. Cl. D14/223

[58] Field of Search D14/205, 206, 207, 223,
D14/225; 379/430, 433, 444; 381/25, 68, 158,
183, 197; 181/129, 135

[56] References Cited

U.S. PATENT DOCUMENTS

4,455,457 6/1984 Akira 2/209
4,736,435 4/1988 Yokoyama et al. 381/187

FOREIGN PATENT DOCUMENTS

3223469 5/1983 Fed. Rep. of Germany 381/183
3420297 12/1984 Fed. Rep. of Germany 381/183

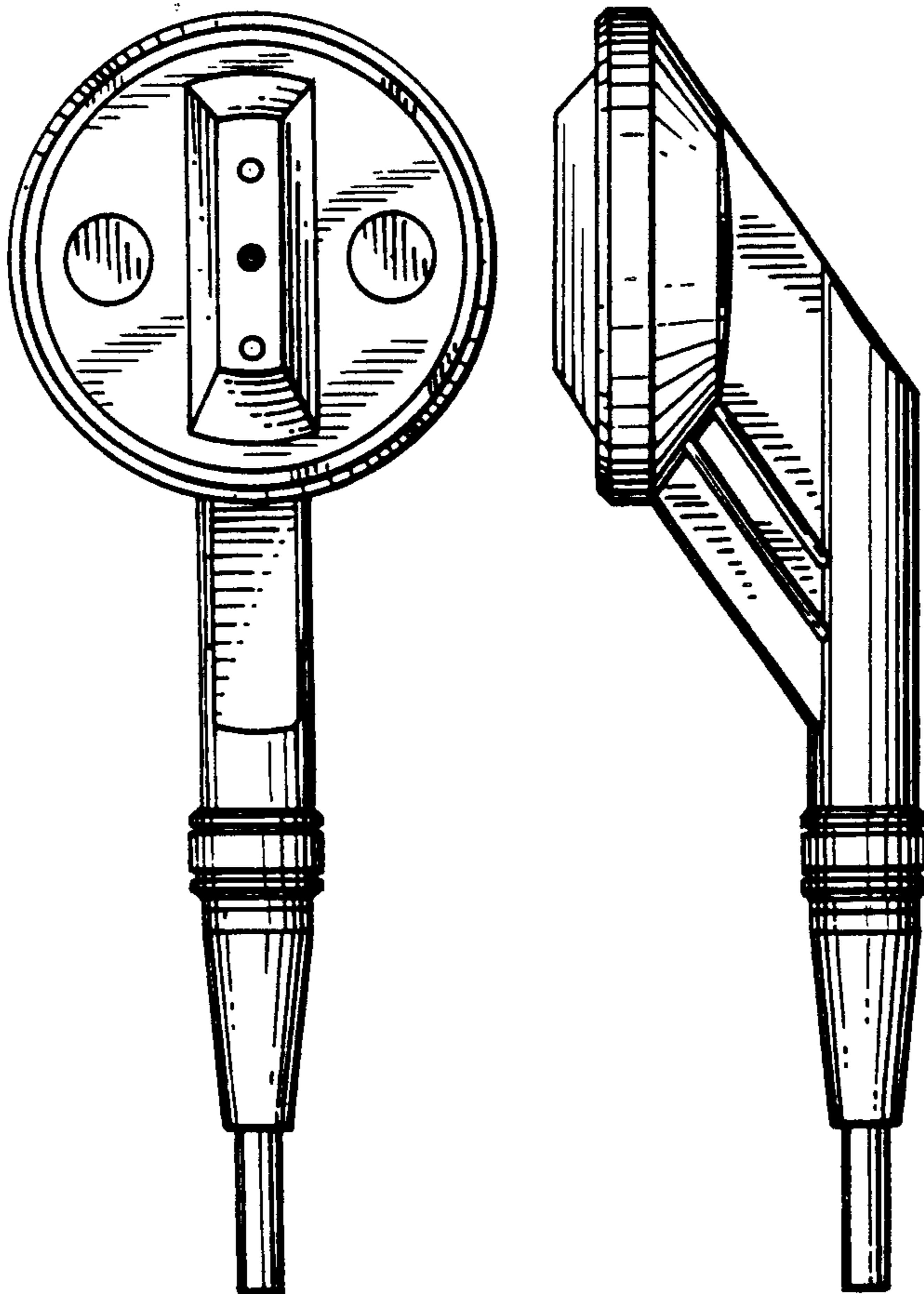
Primary Examiner—B. J. Bullock
Assistant Examiner—Sandra Morris
Attorney, Agent, or Firm—Lewis H. Eslinger

[57] CLAIM

The ornamental design for an earphone, as shown.

DESCRIPTION

FIG. 1 is a front elevational view of an earphone showing my new design;
FIG. 2 is a rear elevational view thereof;
FIG. 3 is a right-side elevational view thereof, the left-side being a mirror image thereof;
FIG. 4 is a top plan view thereof; and
FIG. 5 is a bottom plan view thereof.



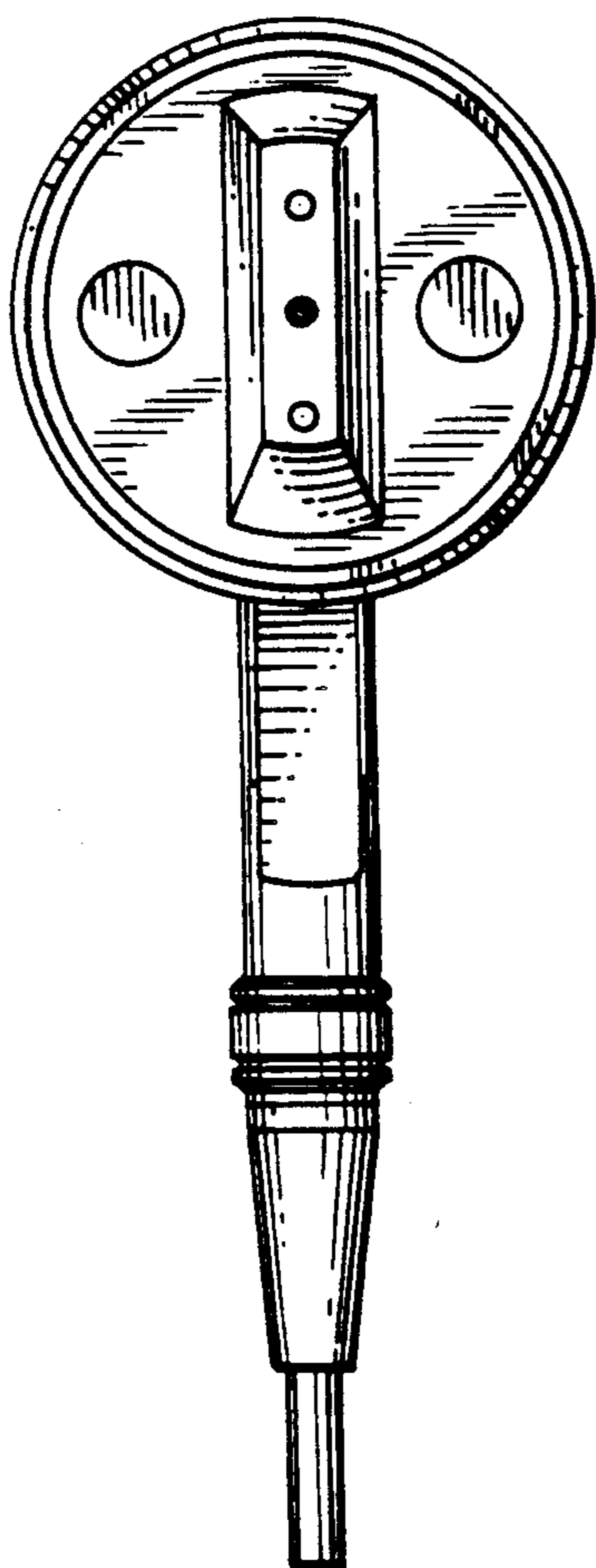


FIG. 1

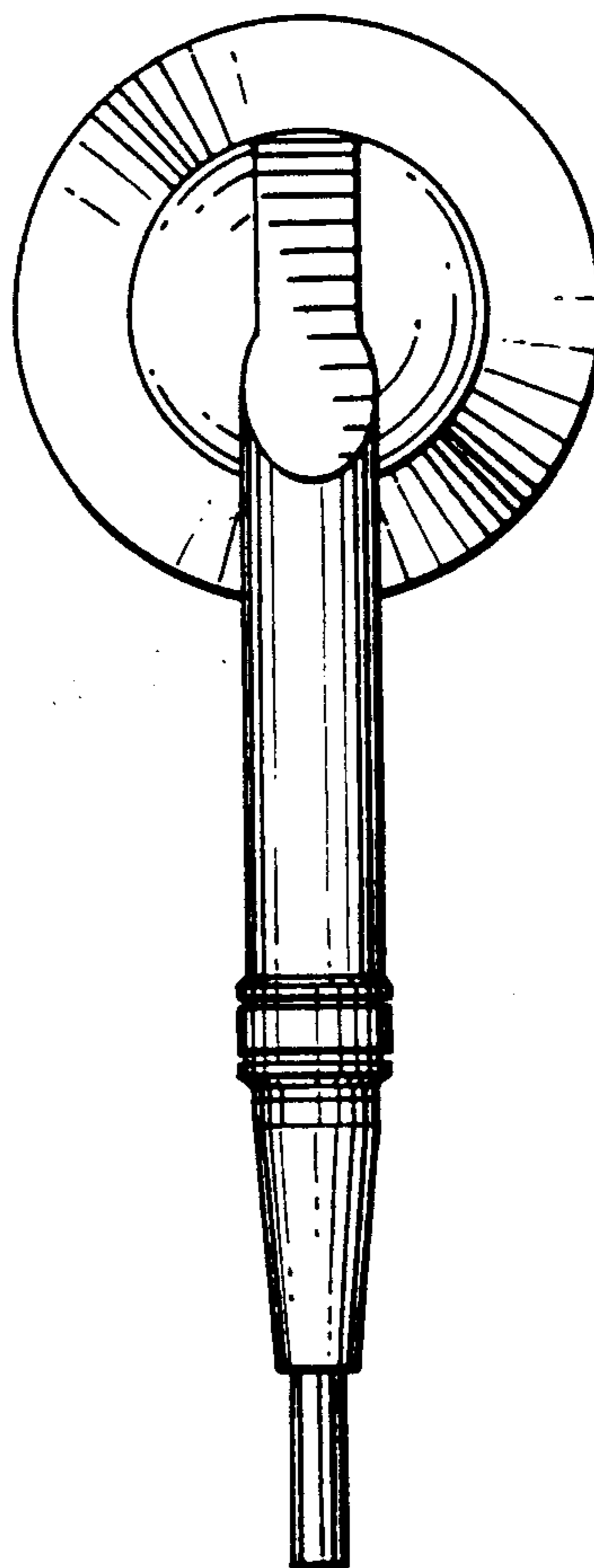


FIG. 2

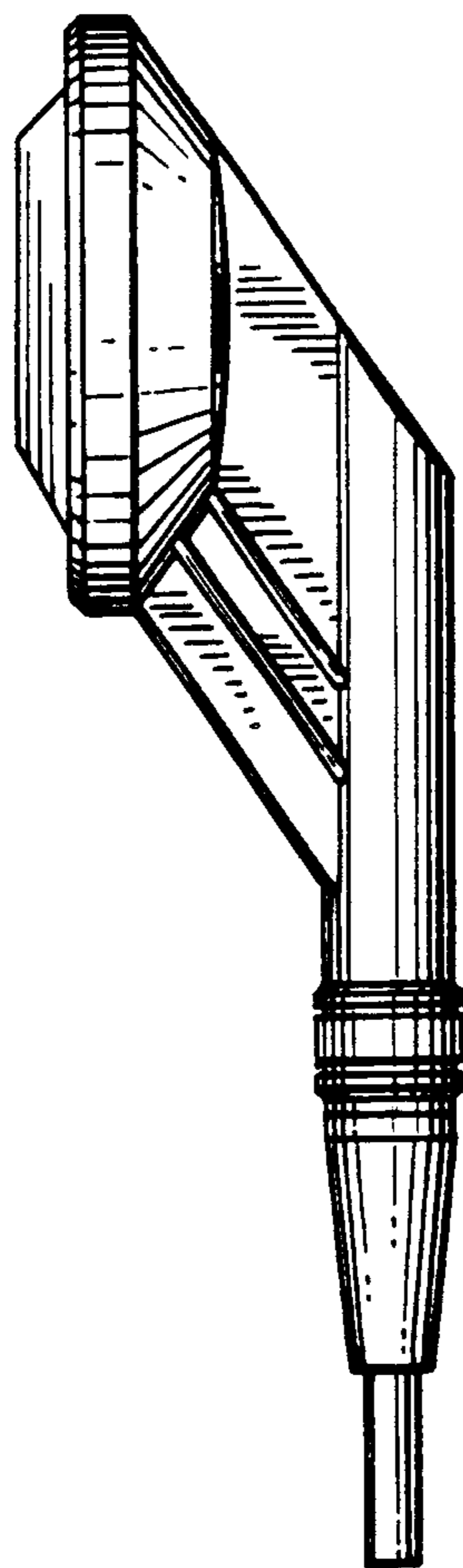


FIG. 3

FIG. 4

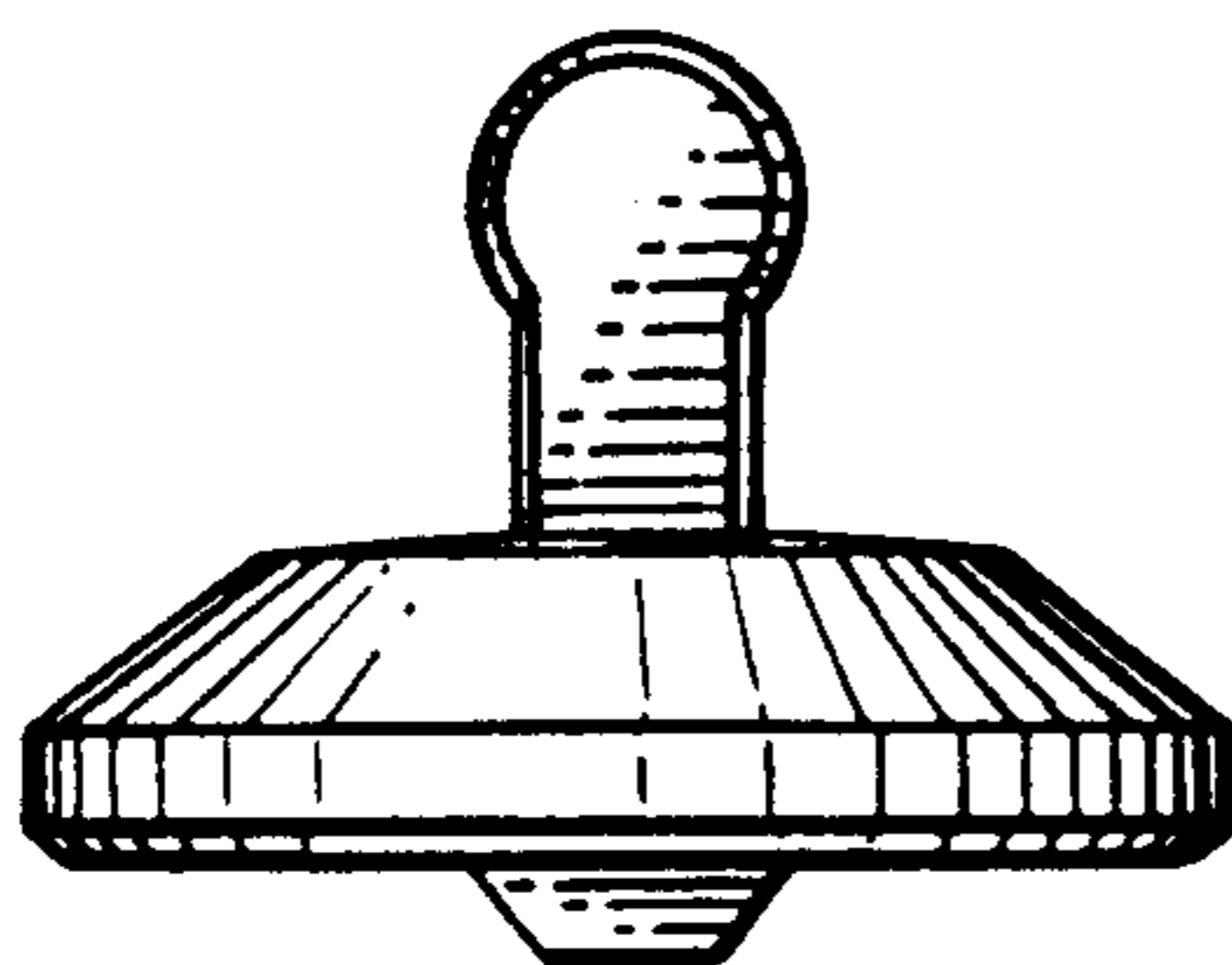


FIG. 5

