

[54] COMBINED RADIO AND CLOCK

- [75] Inventor: Shintaro Tsuji, Tokyo, Japan
- [73] Assignee: Sanrio Company, Ltd., Tokyo, Japan
- [\*\*] Term: 14 Years
- [21] Appl. No.: 263,516
- [22] Filed: Oct. 27, 1988
- [52] U.S. Cl. .... D14/171; D14/189;  
D14/137
- [58] Field of Search ..... D14/188-198,  
D14/163, 168, 170-171; 455/344, 347,  
350-351; 312/7.1; D21/137, 150, 111, 113

[56] References Cited

U.S. PATENT DOCUMENTS

- D. 191,638 10/1961 Harper ..... D14/189
- D. 239,865 5/1976 Pinsler et al. .... D14/189
- D. 260,913 9/1981 Chapman ..... D21/137
- D. 262,127 12/1981 Phillippe ..... D21/137

FOREIGN PATENT DOCUMENTS

- 62-163942 10/1987 Japan .

OTHER PUBLICATIONS

Evans 1980-81 Catalog; p. 260x; bottom left—AM Radios.

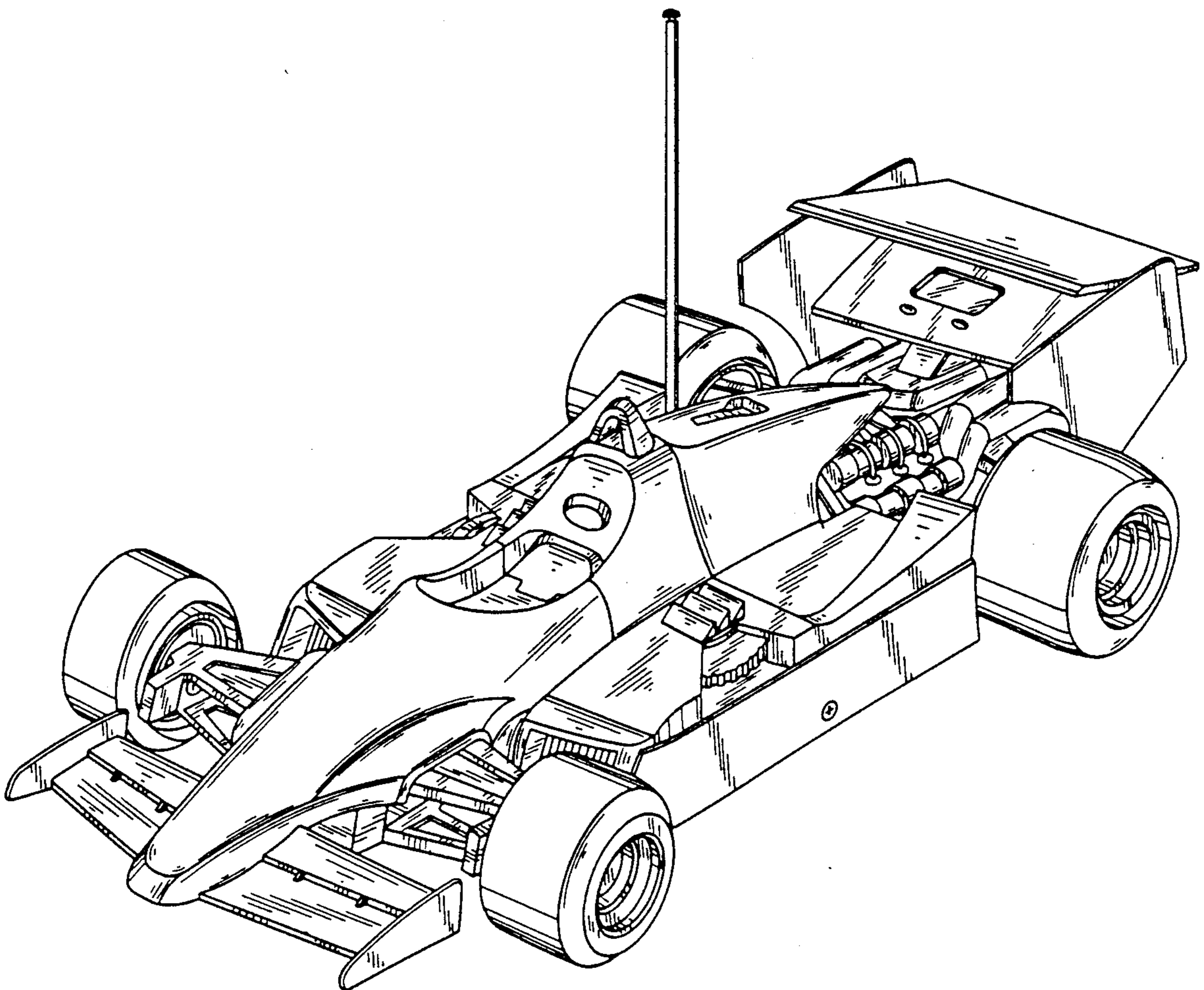
Primary Examiner—Theodore M. Shooman  
Attorney, Agent, or Firm—Owen, Wickersham & Erickson

[57] CLAIM

The ornamental design for a combined radio and clock, as shown and described.

DESCRIPTION

FIG. 1 is a top, front and right side perspective view of a combined radio and clock showing my new design, with the cover of the clock in an open position; FIG. 2 is a right side elevational view thereof; FIG. 3 is a rear elevational view thereof; FIG. 4 is a front elevational view thereof; FIG. 5 is a left side elevational view thereof; FIG. 6 is a top plan view thereof; FIG. 7 is a bottom plan view thereof; and FIG. 8 is a top, front and right side perspective view thereof.



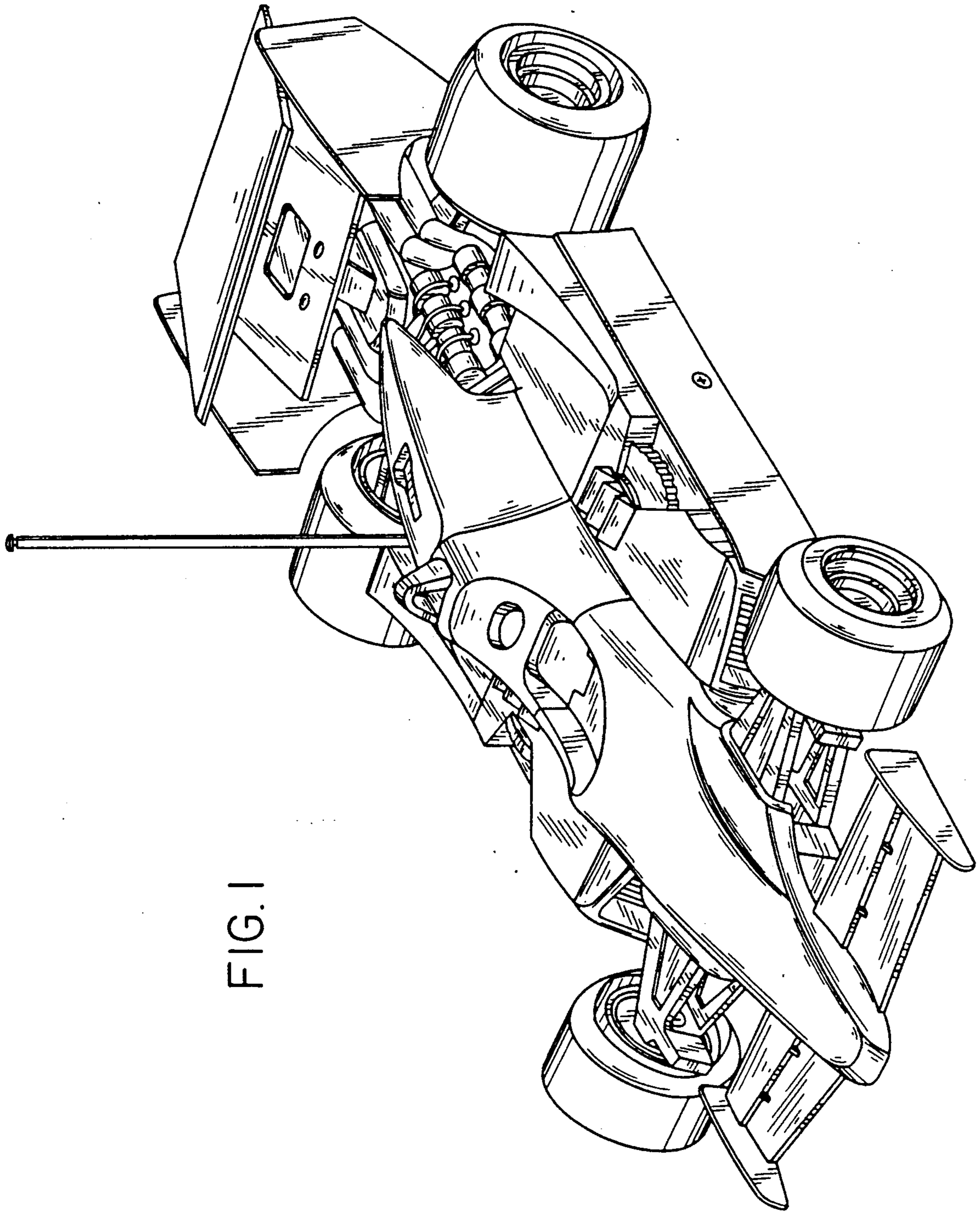
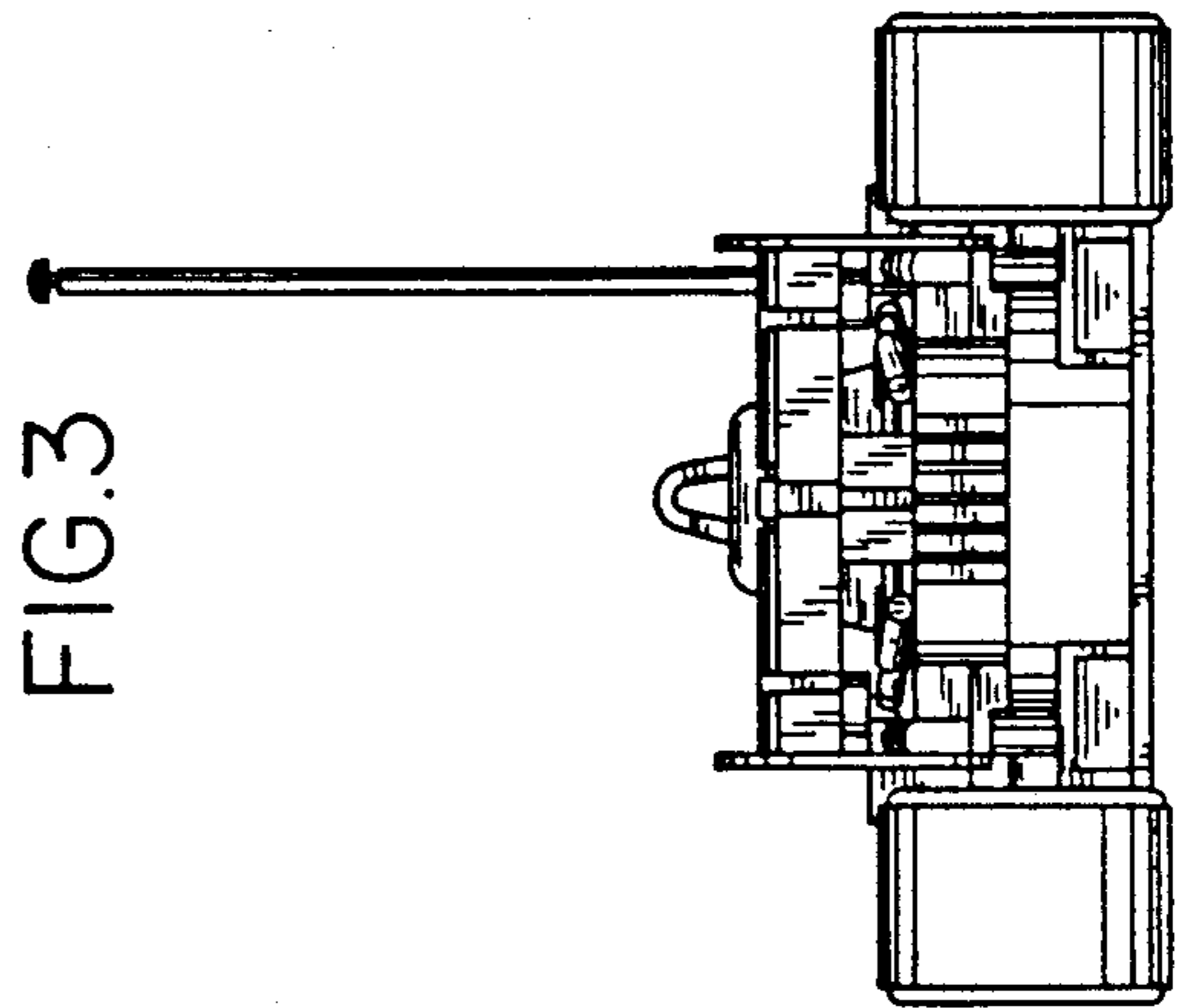
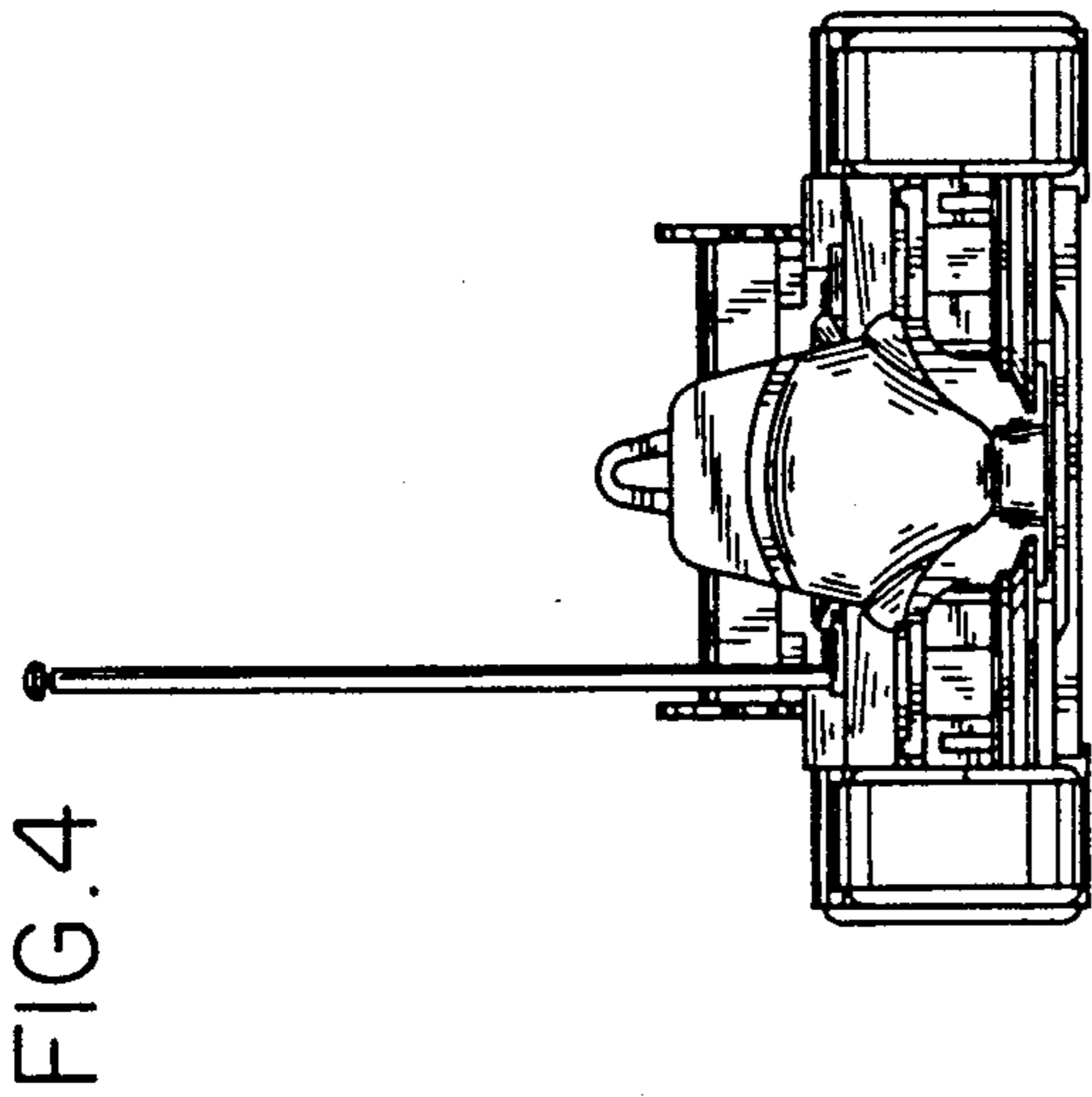
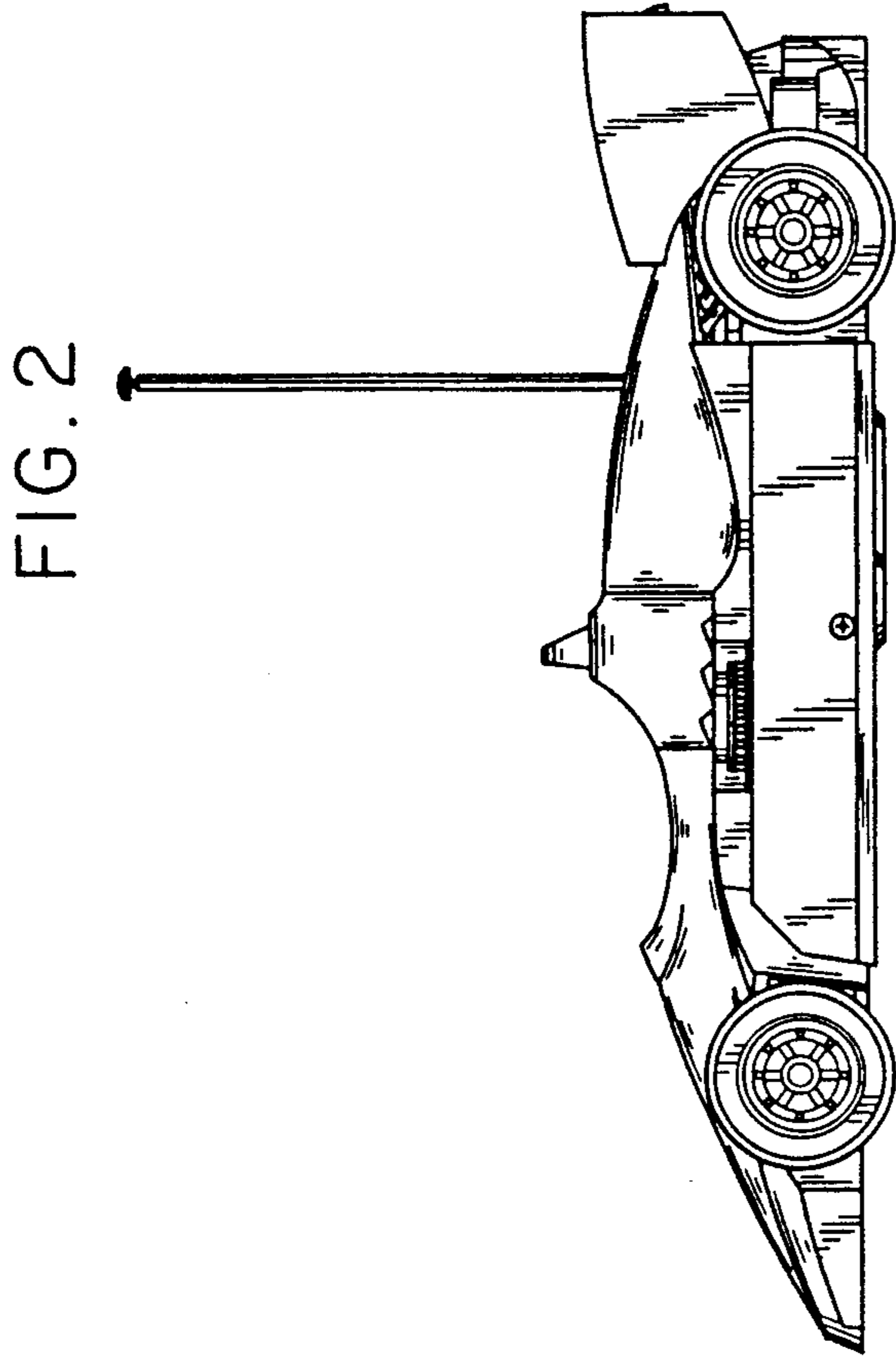


FIG. 1





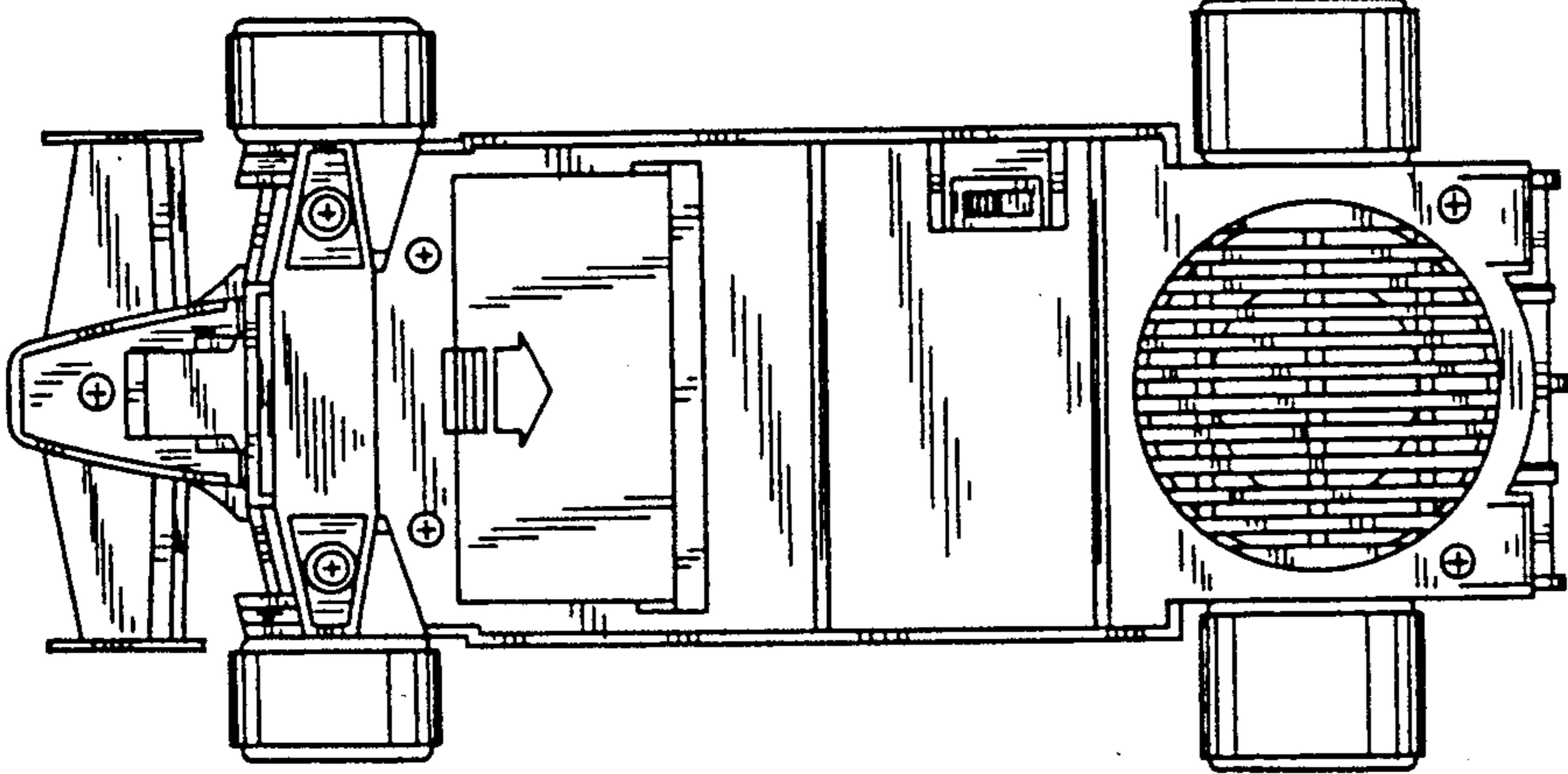


FIG.7

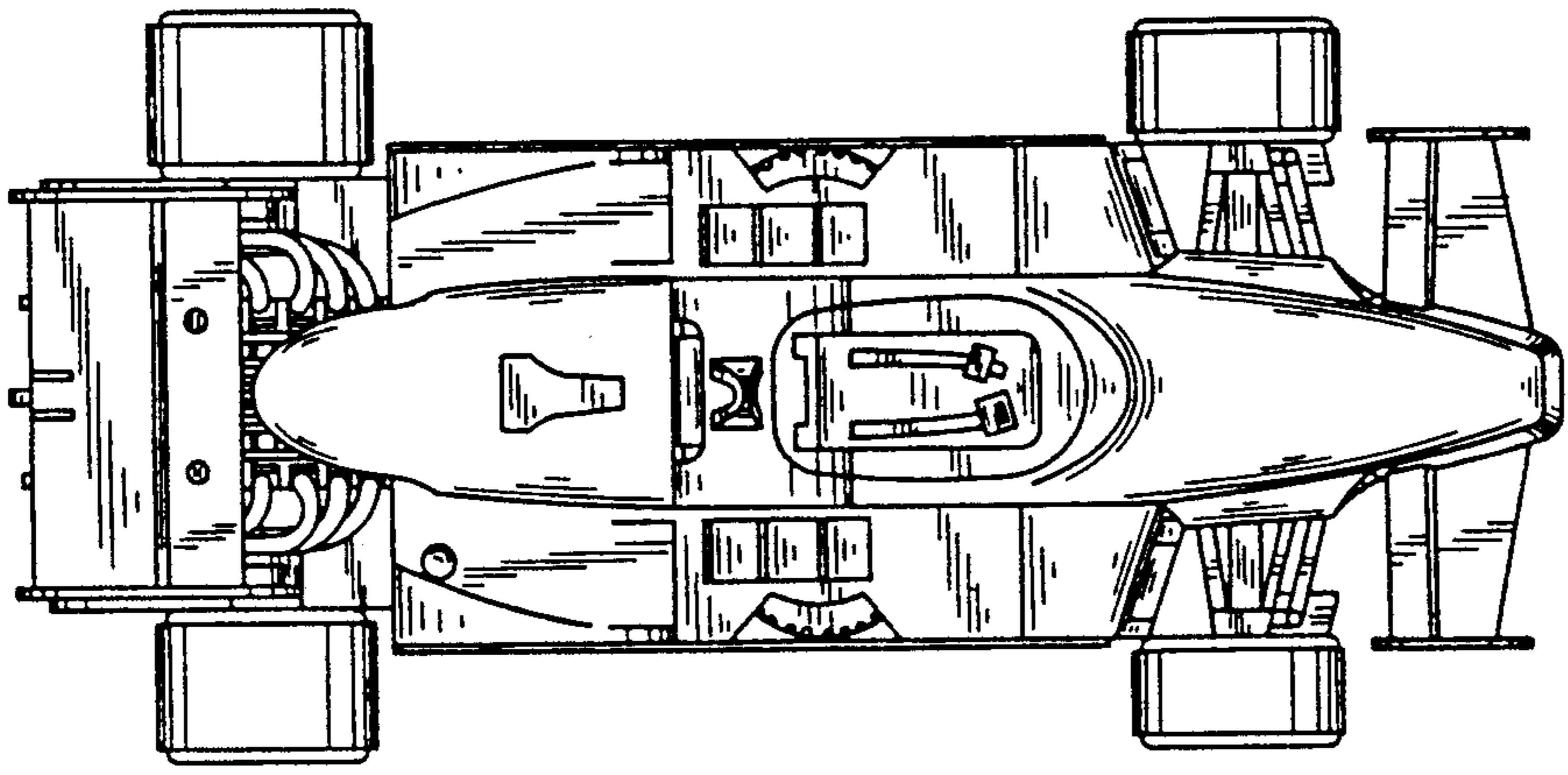


FIG.6

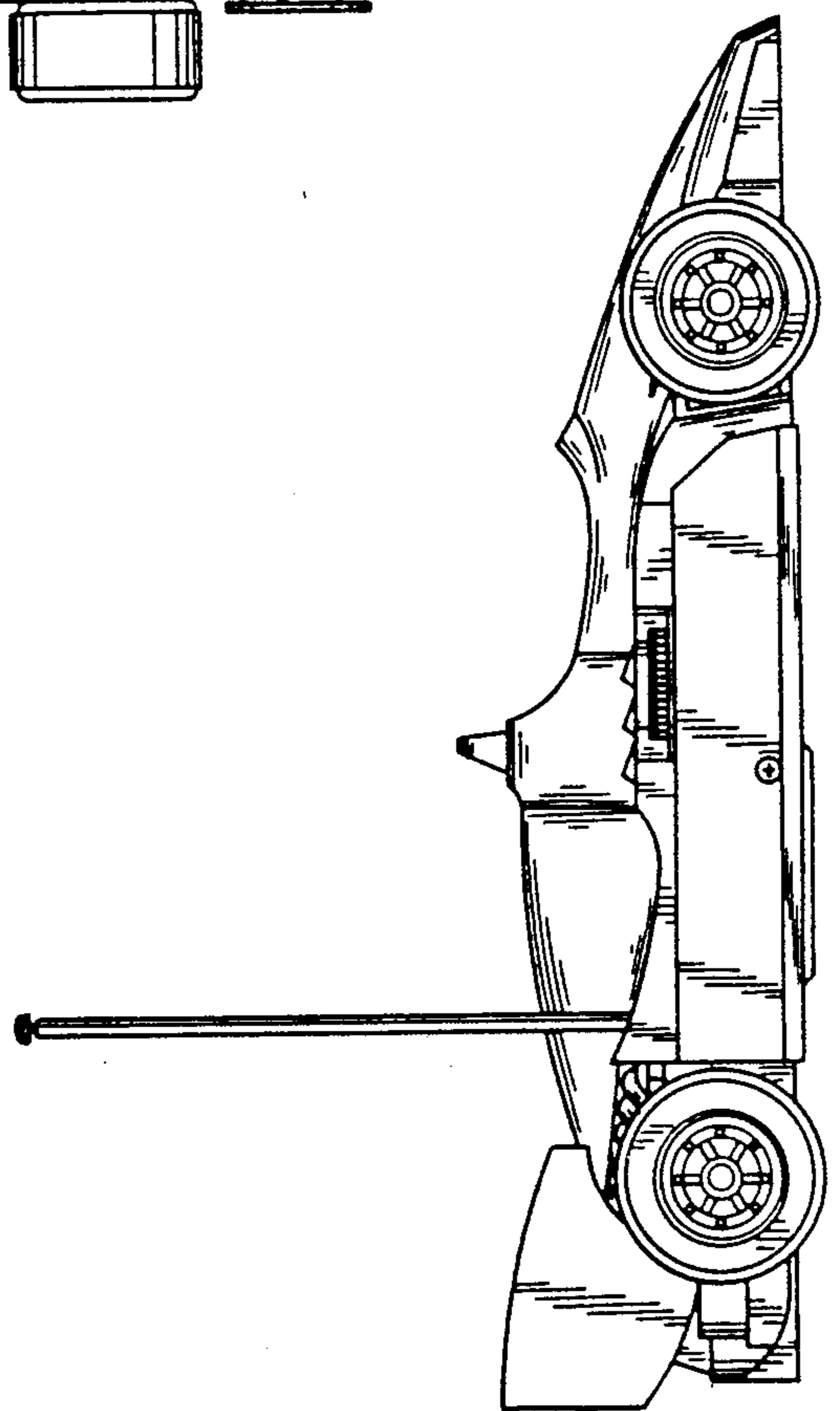


FIG.5

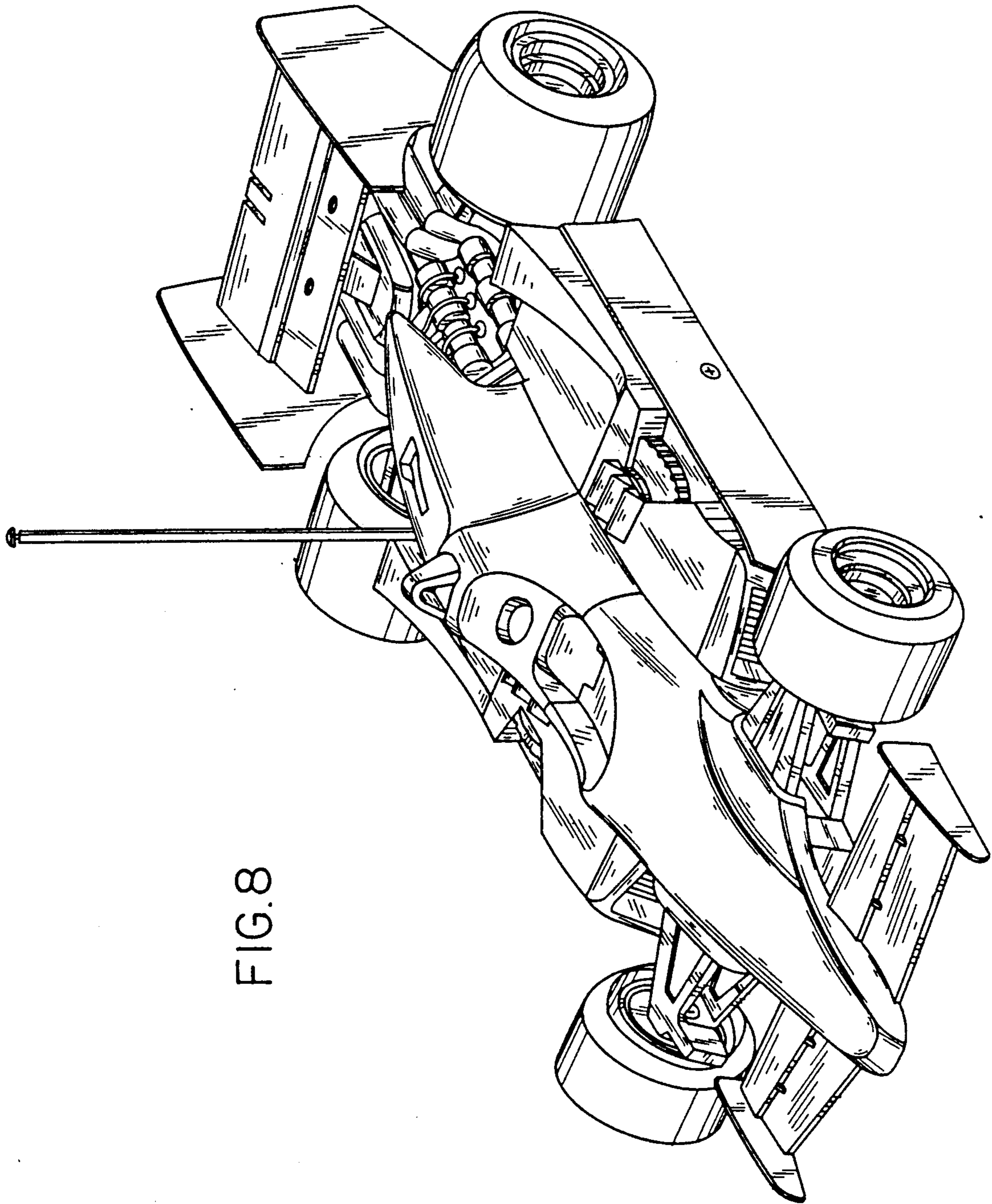


FIG.8