

- [54] **ABSORBER OF ELECTRIC NOISE**
- [75] Inventor: **Akio Fujioka, Ichikawa, Japan**
- [73] Assignee: **Kitagawa Industries Co., Ltd., Japan**
- [**] Term: **14 Years**
- [21] Appl. No.: **376,537**
- [22] Filed: **Jul. 7, 1989**

- 3,711,632 1/1973 Ghirardi 174/135
- 3,838,213 9/1974 Georgopoulos et al. 178/46
- 3,846,725 11/1974 Mears, Jr. 336/92
- 4,336,806 6/1982 Eldridge, Jr. 128/348

Primary Examiner—Susan J. Lucas
Assistant Examiner—Joel Sincavage
Attorney, Agent, or Firm—Oliff & Berridge

Related U.S. Application Data

- [62] Division of Ser. No. 187,515, Apr. 28, 1988, Pat. No. 4,882,561.
- [52] U.S. Cl. **D13/199; D13/156**
- [58] Field of Search **D13/156, 157, 118, 133, D13/147; 174/72 A, 74 A, 74 R, 52.1, 92, 138 F; 336/65, 92**

References Cited

U.S. PATENT DOCUMENTS

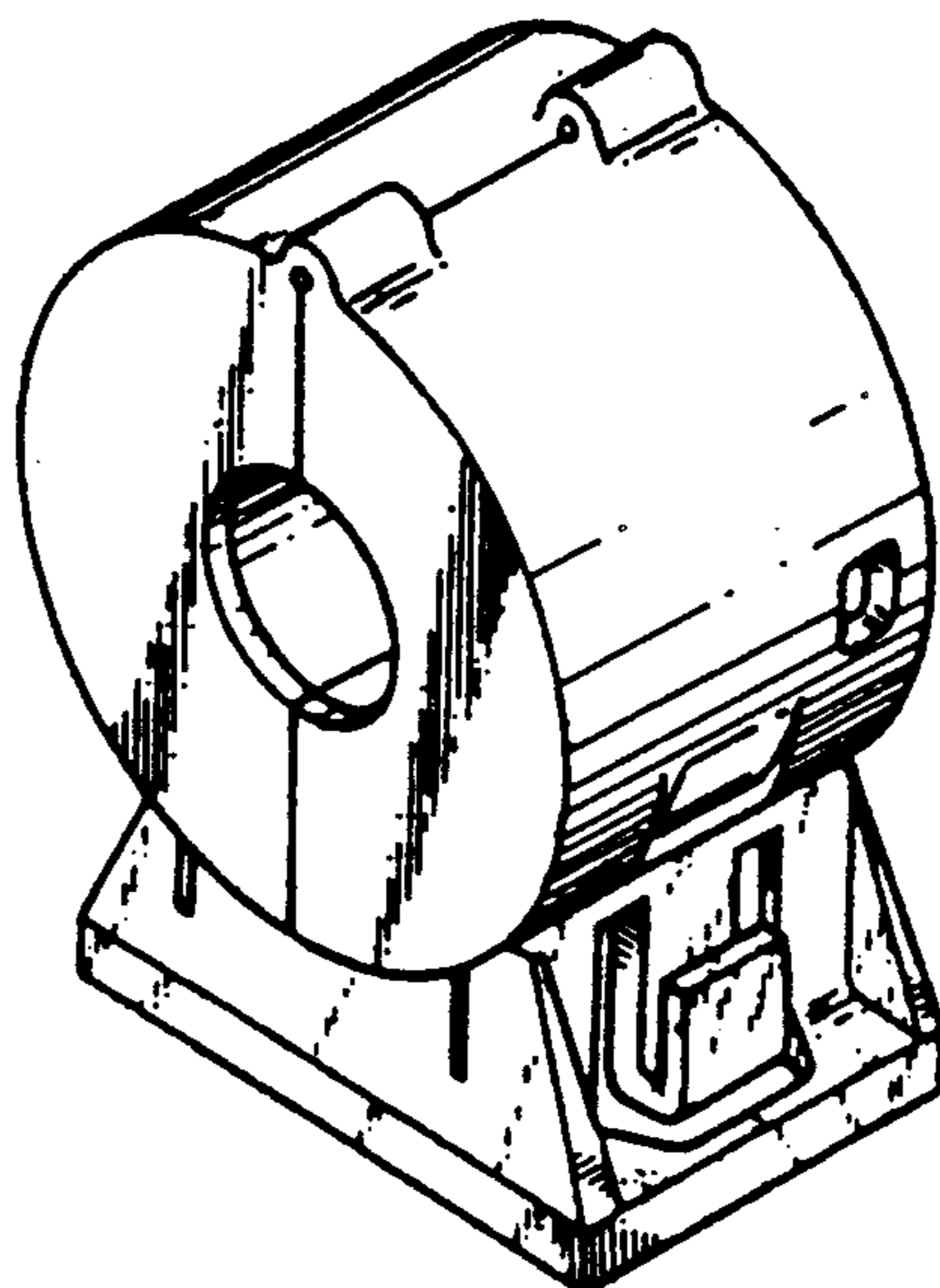
- D. 284,465 7/1986 Epley D13/156
- 2,511,906 6/1950 Davis D13/133 X
- 3,147,338 9/1964 Ekvall et al. D13/156 X
- 3,229,030 1/1966 Baermann 174/117
- 3,241,198 3/1966 Baermann 20/69
- 3,325,591 6/1967 Wahl D13/156 X
- 3,374,434 3/1968 Perry 324/127
- 3,462,715 8/1969 Schor 333/79
- 3,514,731 5/1970 Drake 335/285
- 3,516,026 6/1970 Curran et al. 333/12

[57] **CLAIM**

The ornamental design for absorber of electric noise, as shown and described.

DESCRIPTION

FIG. 1 is a perspective view of an absorber of electric noise showing my new design;
 FIG. 2 is a front elevational view of thereof, the rear elevational view being the same;
 FIG. 3 is a left side elevational view thereof, the right side elevational view being a mirror image;
 FIG. 4 is a bottom plan view thereof drawn on an enlarged scale; and
 FIG. 5 is a top plan view thereof.
 FIG. 6 is a perspective view of a second embodiment of an absorber of electrical noise showing my new design;
 FIG. 7 is a front elevational view thereof, the rear elevational view thereof being the same;
 FIG. 8 is a left side elevational view thereof, the right side elevational view being a mirror image;
 FIG. 9 is a bottom plan view thereof; and
 FIG. 10 is a top plan view thereof.



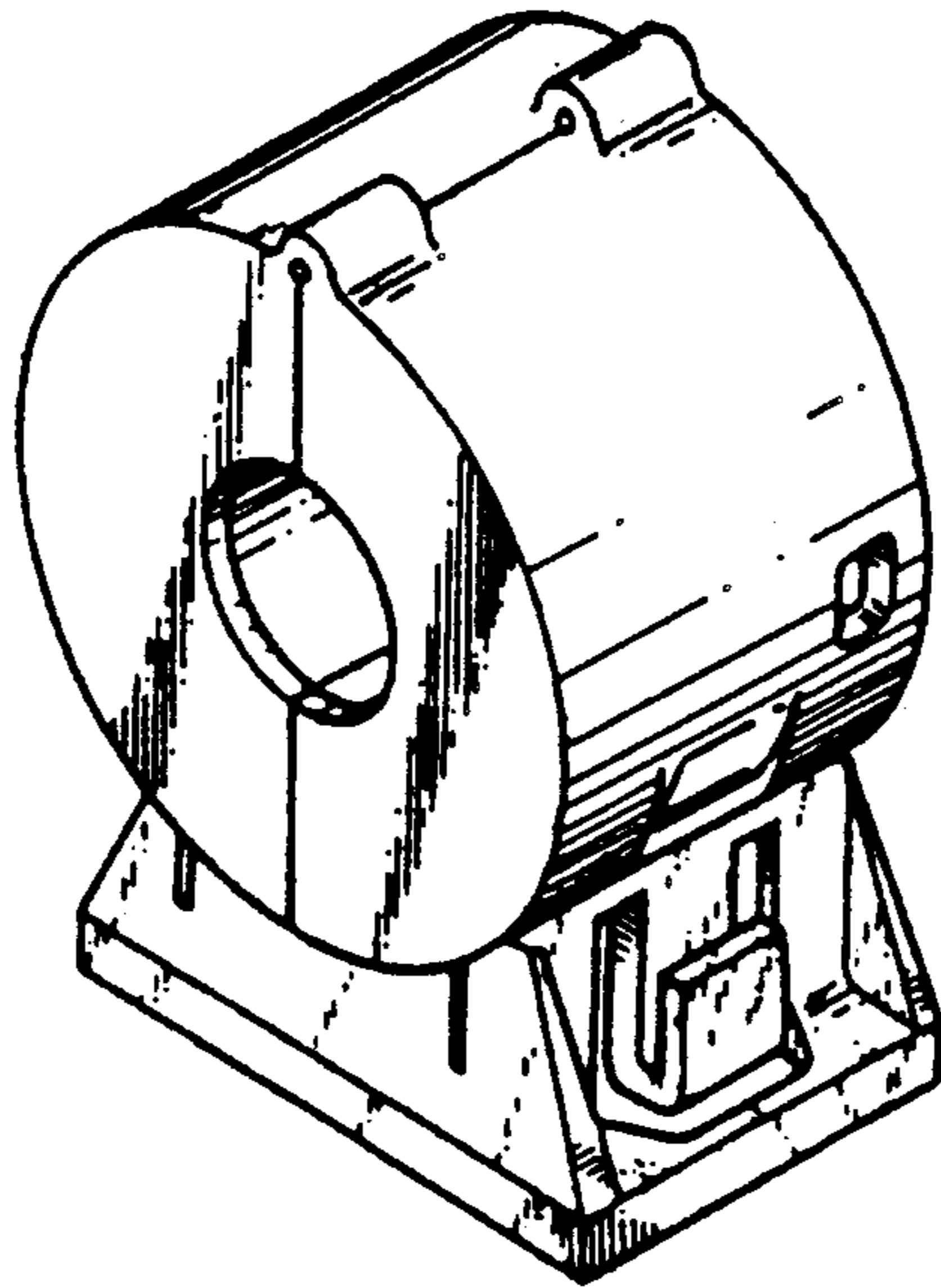


Fig. 1

Fig. 2

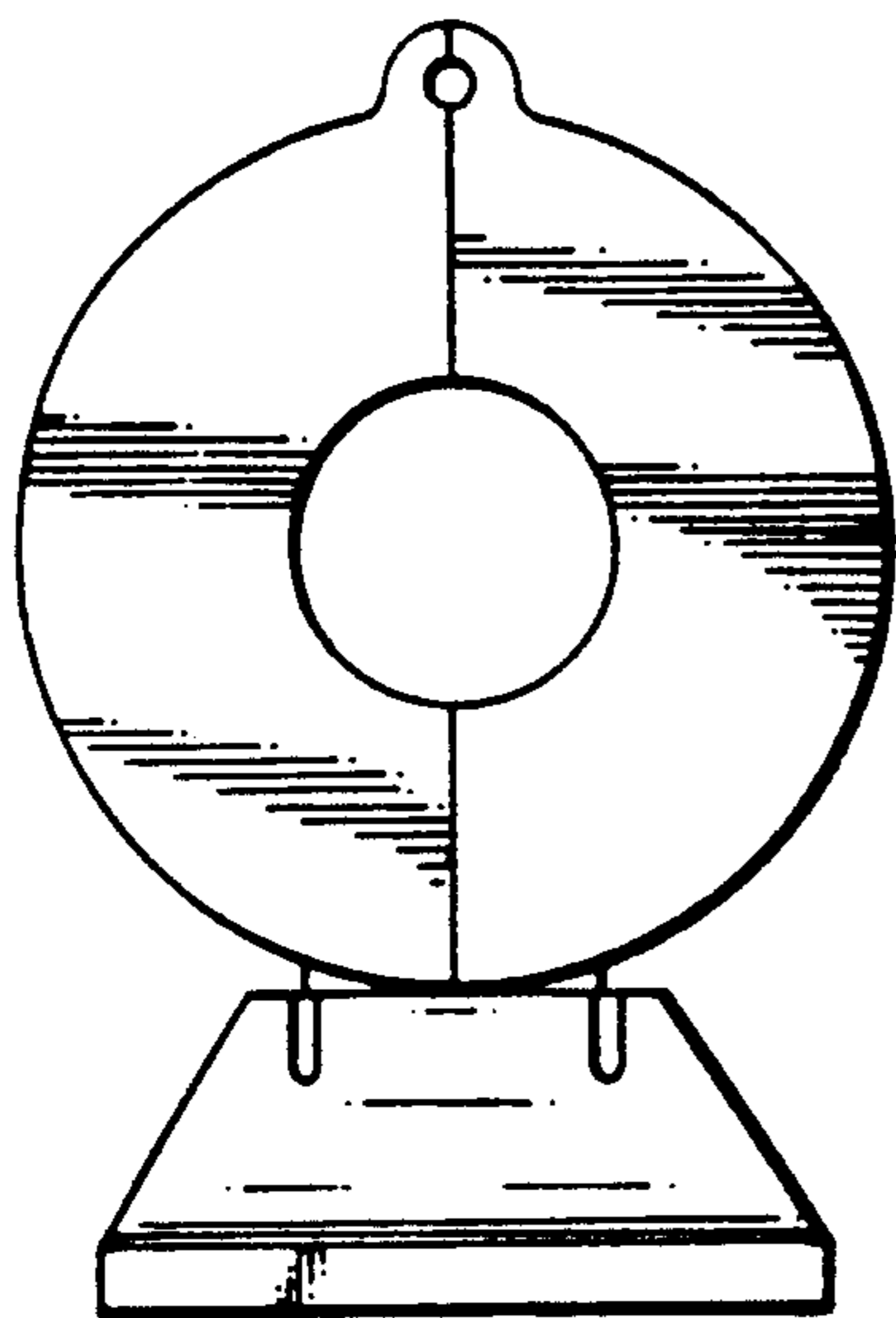


Fig. 3

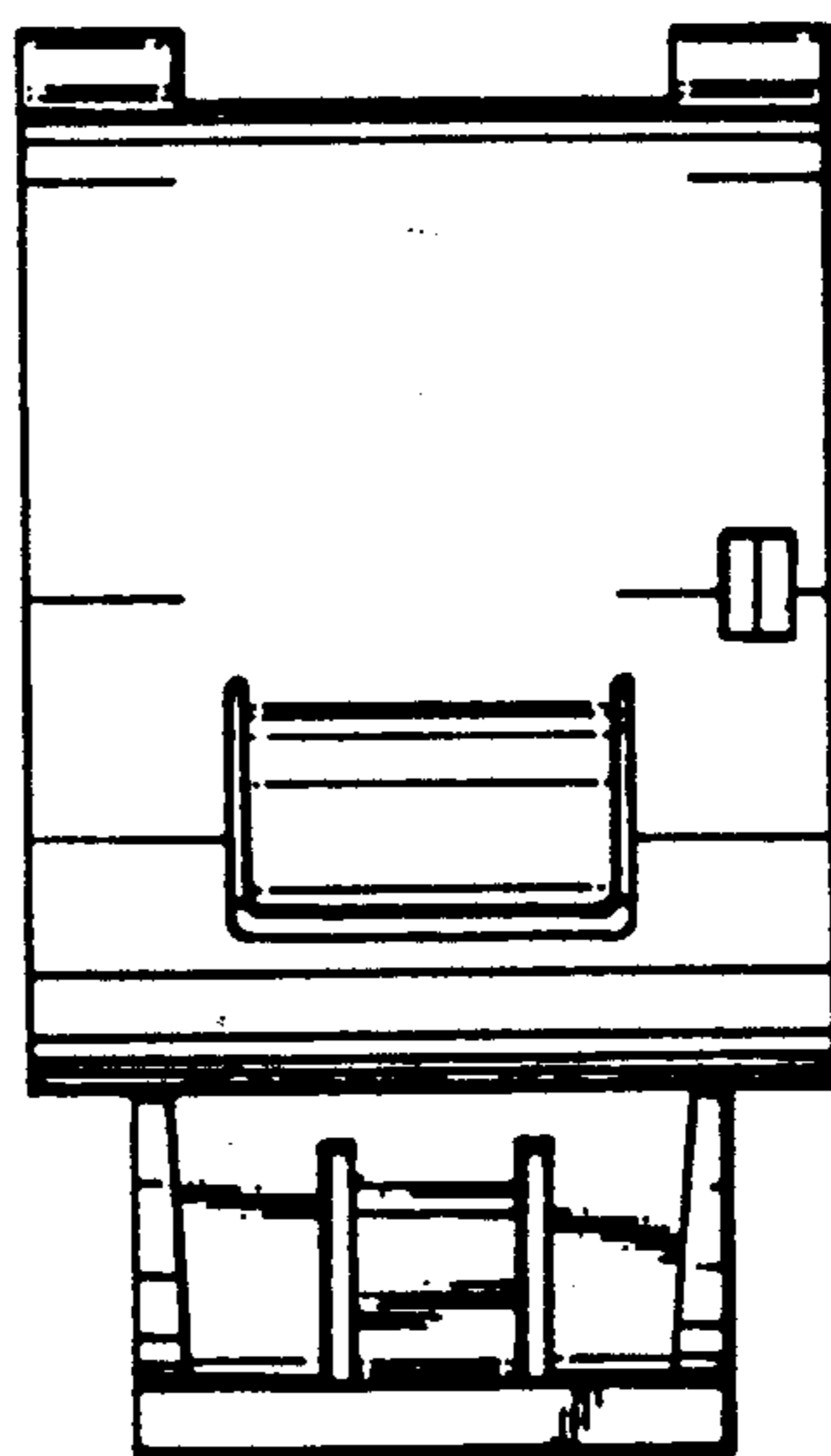


Fig. 4

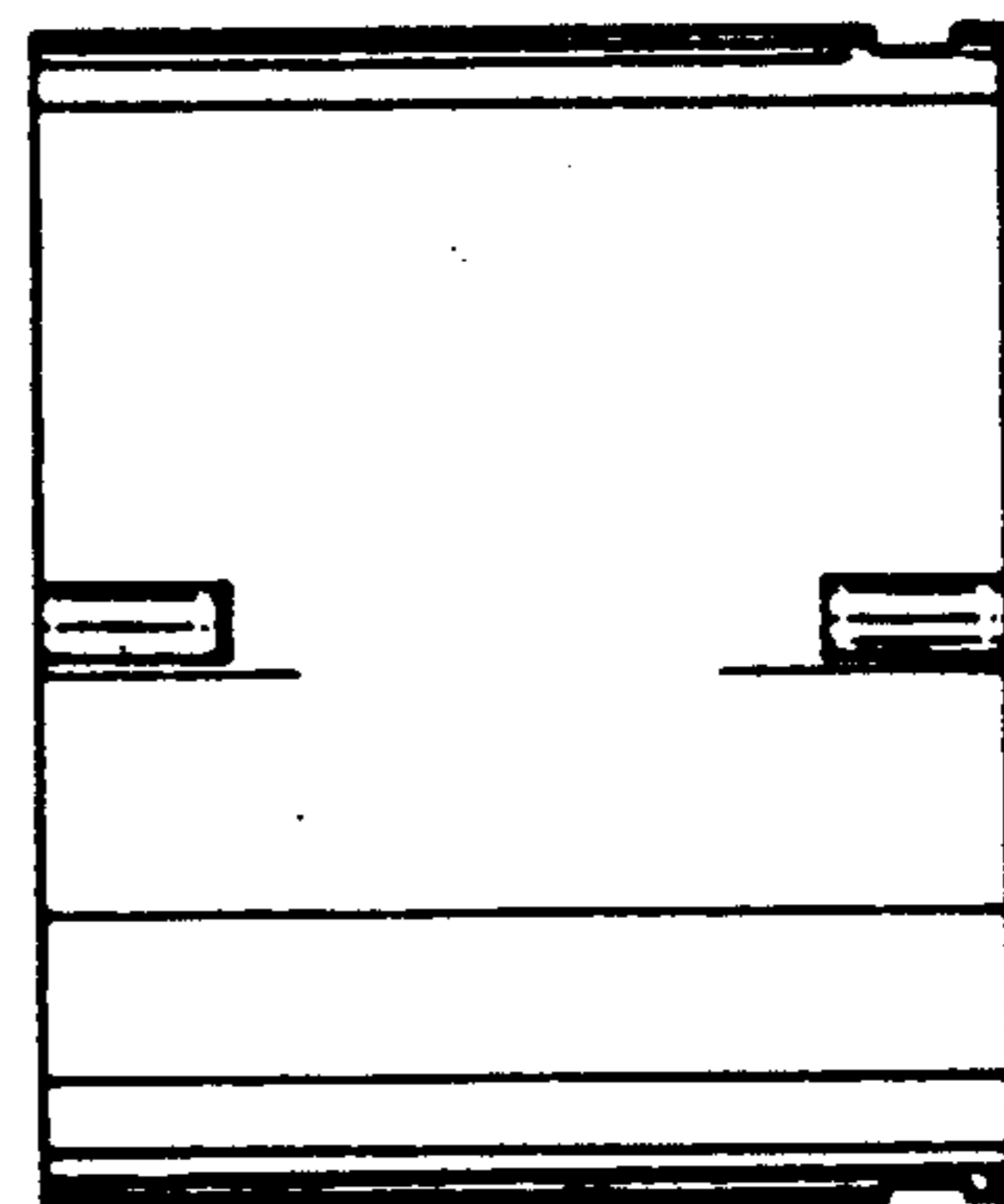
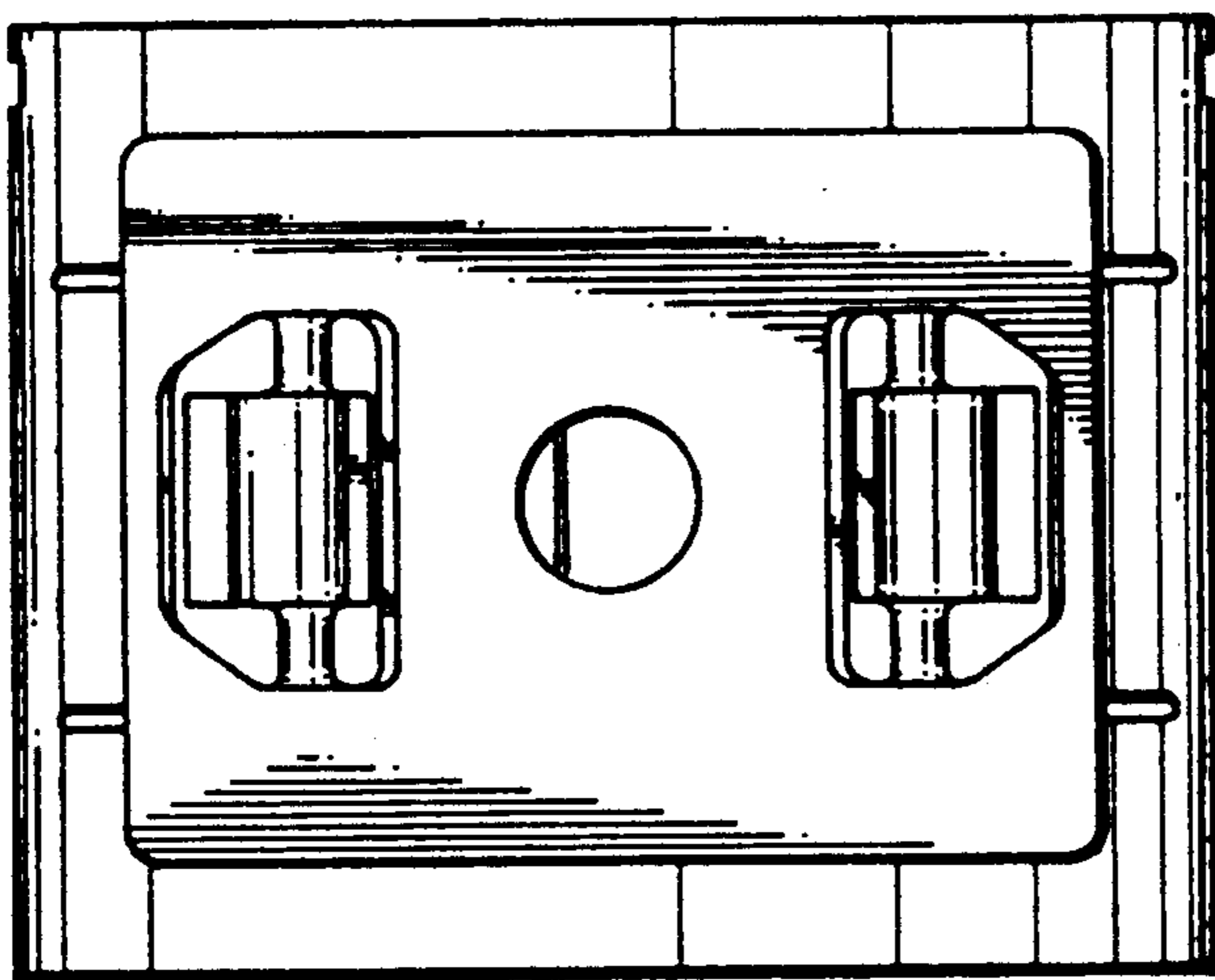


Fig. 5

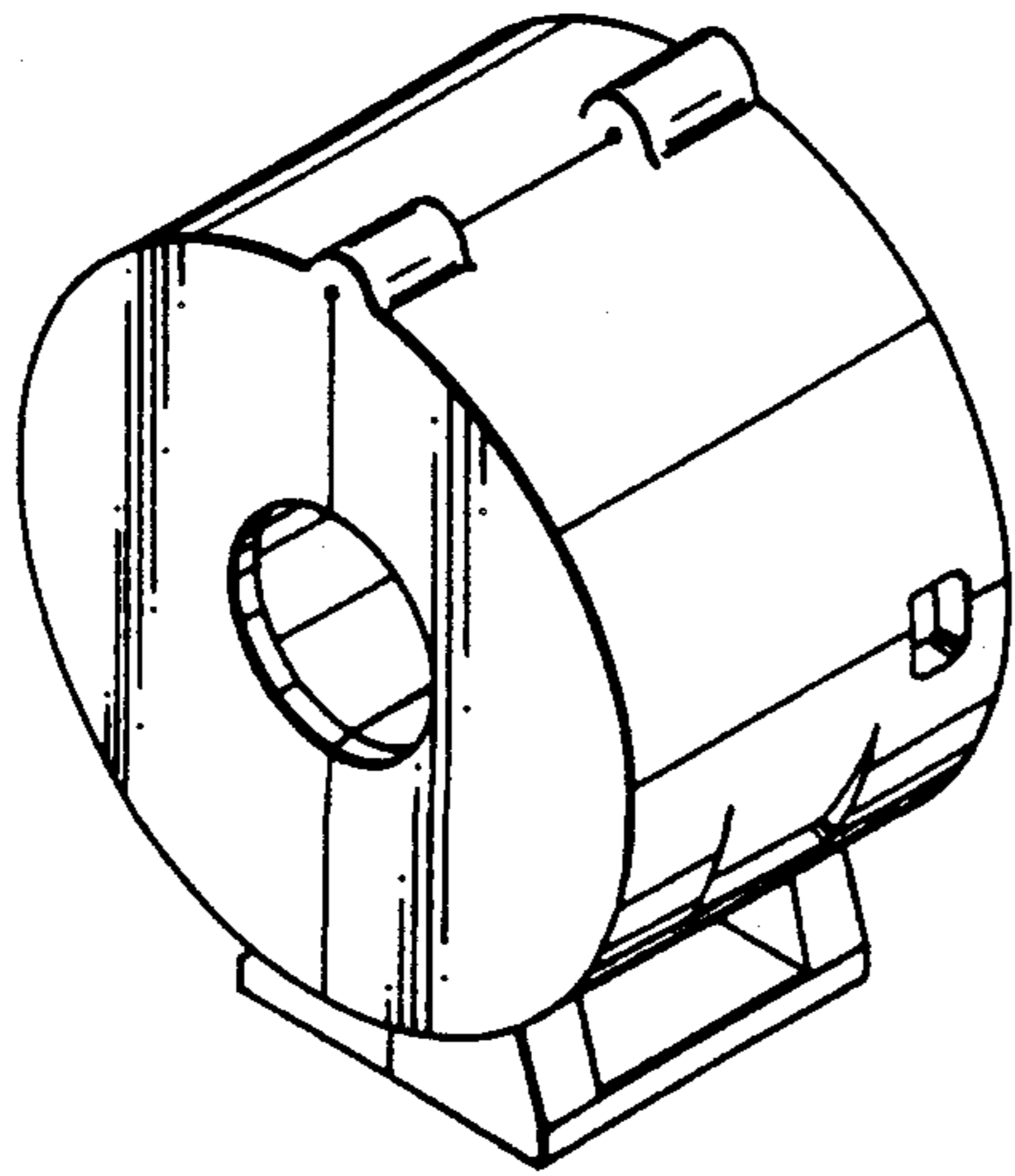


Fig. 6

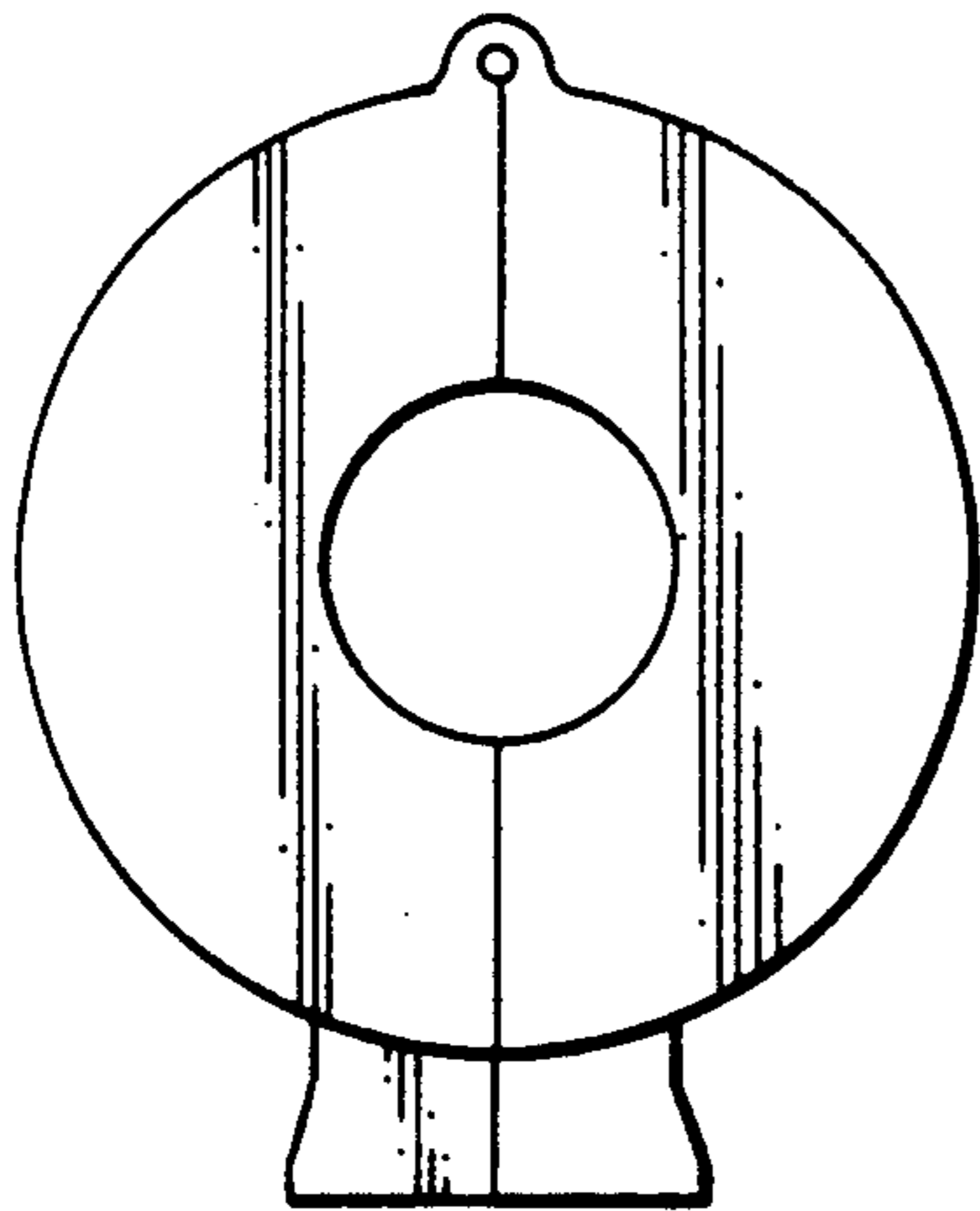


Fig. 7

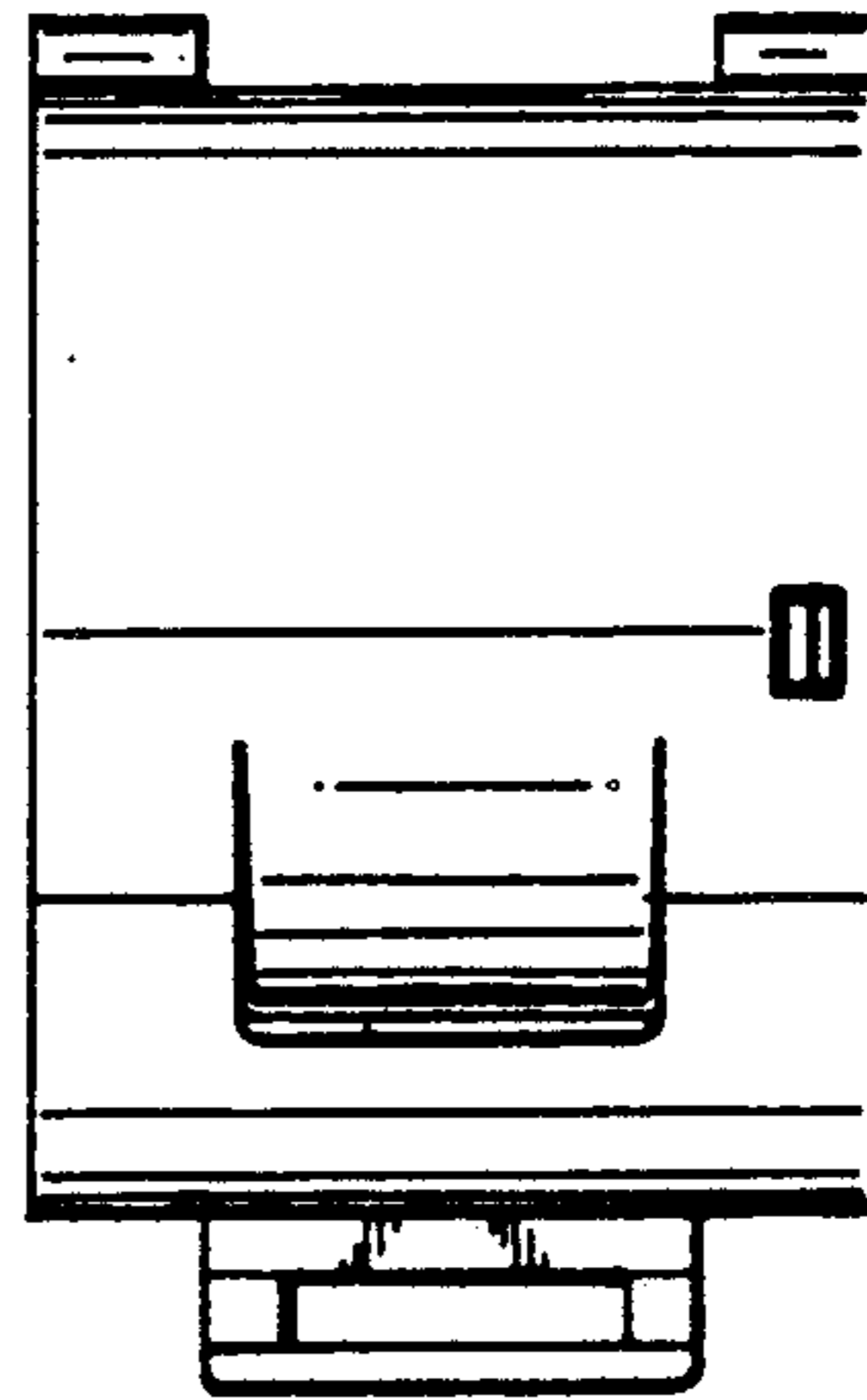


Fig. 8

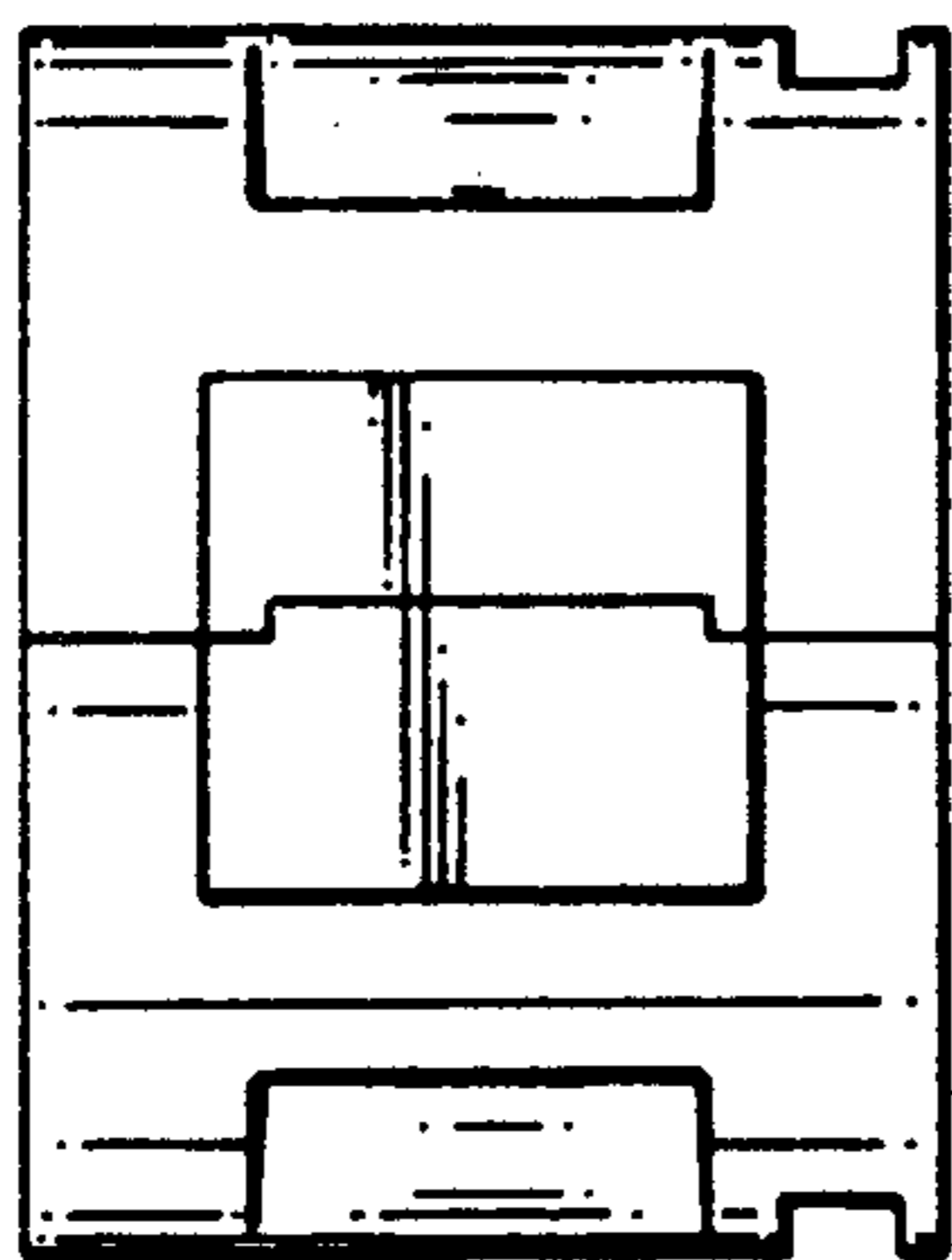


Fig. 9

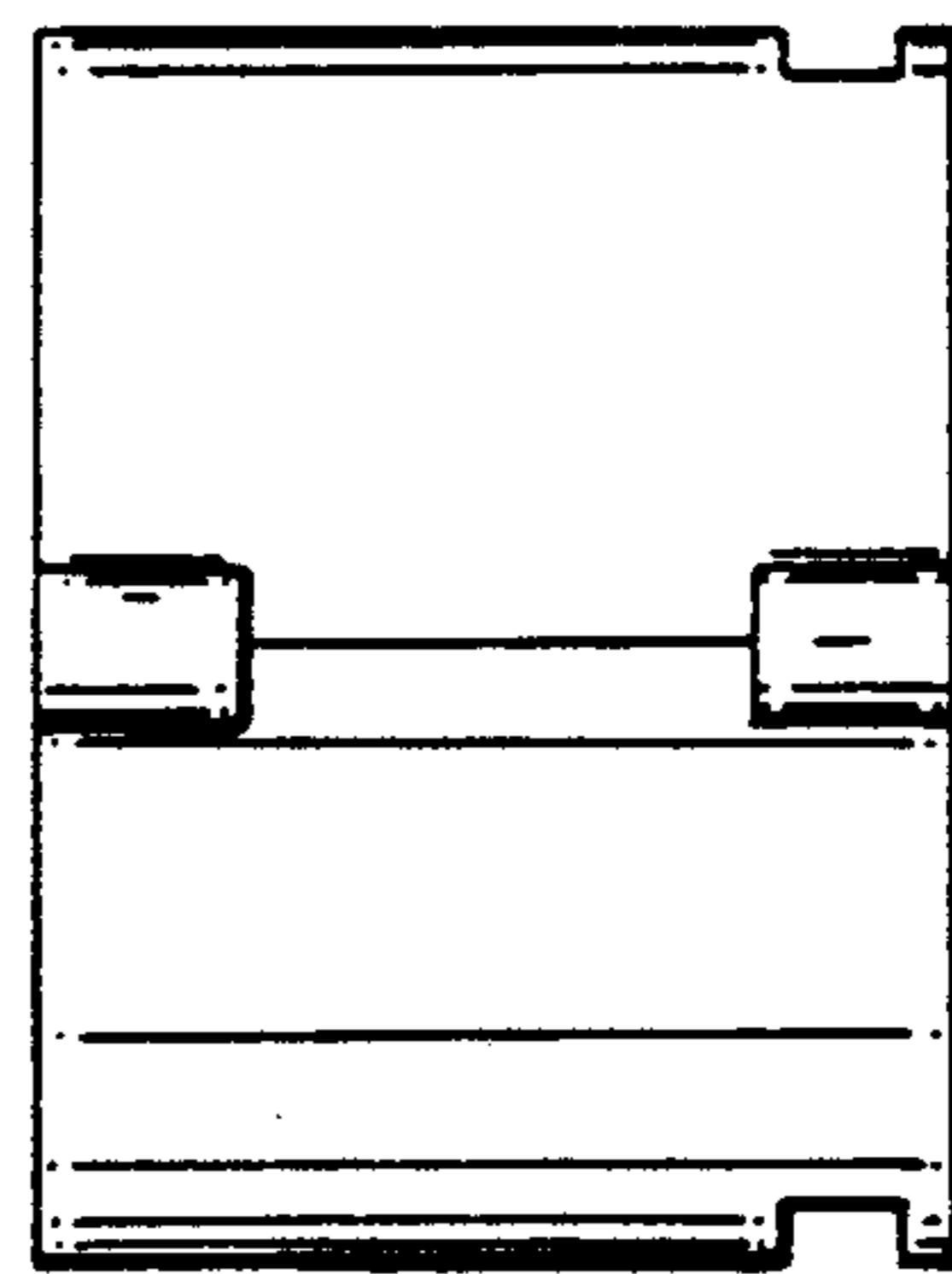


Fig. 10