

United States Patent [19]

Kumagai et al.

[11] Patent Number: Des. 315,332

[45] Date of Patent: ** Mar. 12, 1991

[54] COVER FOR ELECTRICAL CONNECTOR

[75] Inventors: Fumio Kumagai; Masataka Ohishi,
both of Toyota, Japan

[73] Assignee: Yazaki Corp., Japan

[**] Term: 14 Years

[21] Appl. No.: 108,296

[22] Filed: Oct. 13, 1987

[52] U.S. Cl. D13/156

[58] Field of Search D13/24, 13; 439/136,
439/135, 460, 586

[56] **References Cited**

U.S. PATENT DOCUMENTS

D. 287,004	12/1986	Dickie	D13/24
D. 301,333	5/1989	Bongard et al.	D13/13
3,491,327	1/1970	Tait et al.	439/135
4,482,200	11/1984	Willenborg	439/460

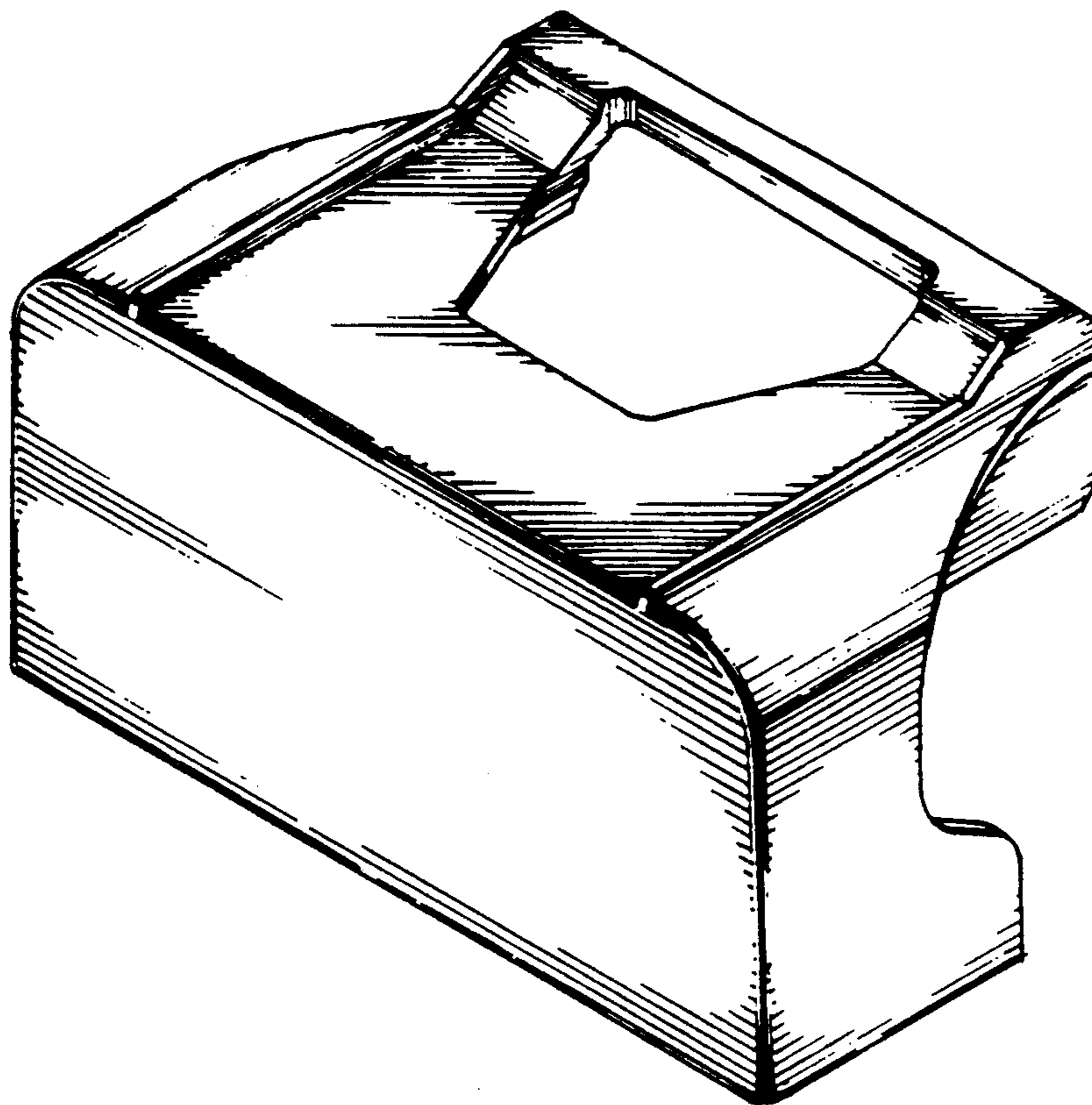
Primary Examiner—Susan J. Lucas
Attorney, Agent, or Firm—Jones, Askew & Lunsford

[57] **CLAIM**

The ornamental design for a cover for electrical connector, as shown and described.

DESCRIPTION

FIG. 1 is a top, front, right side perspective view of a cover for electrical connector showing our new design; FIG. 2 is a front elevation view thereof; FIG. 3 is a right side elevation view thereof, the left side being a mirror image; FIG. 4 is a top plan view thereof; FIG. 5 is a rear elevation view thereof; FIG. 6 is a bottom plan view thereof; FIG. 7 is a cross-section view thereof as taken along line 7—7 of FIG. 5; FIG. 8 is a cross-section view thereof as taken along line 8—8 of FIG. 5.



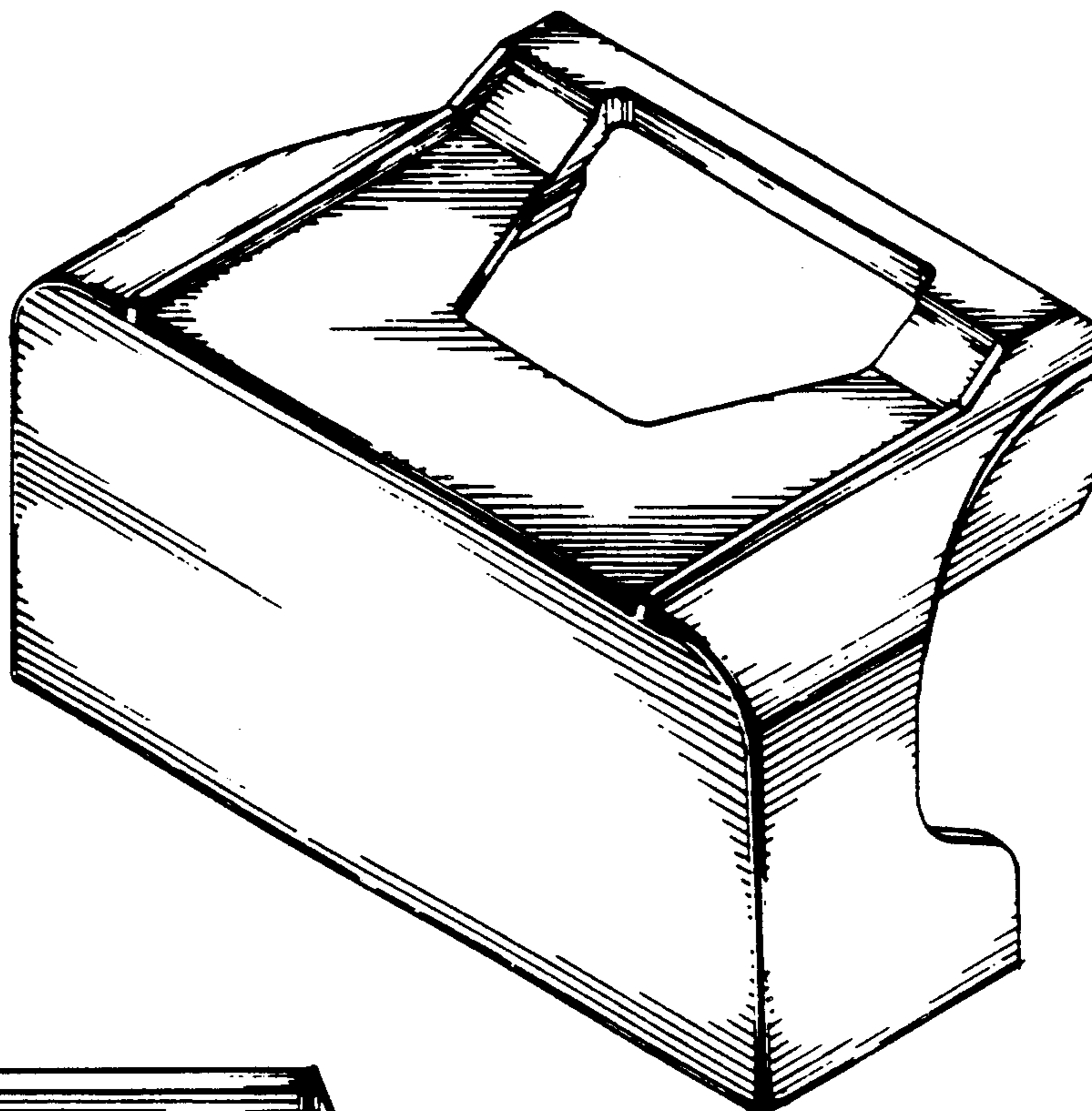


FIG 1

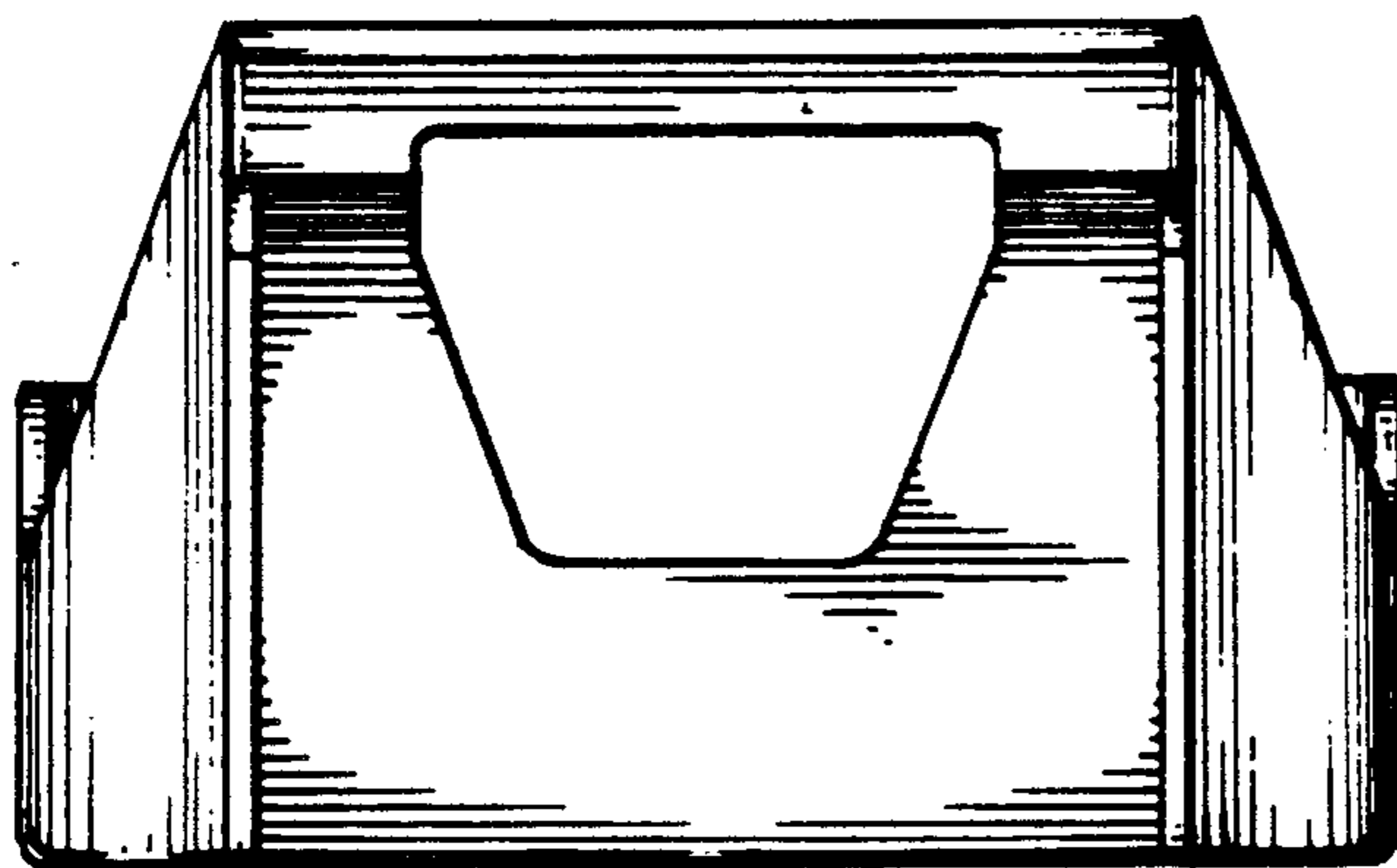


FIG 4

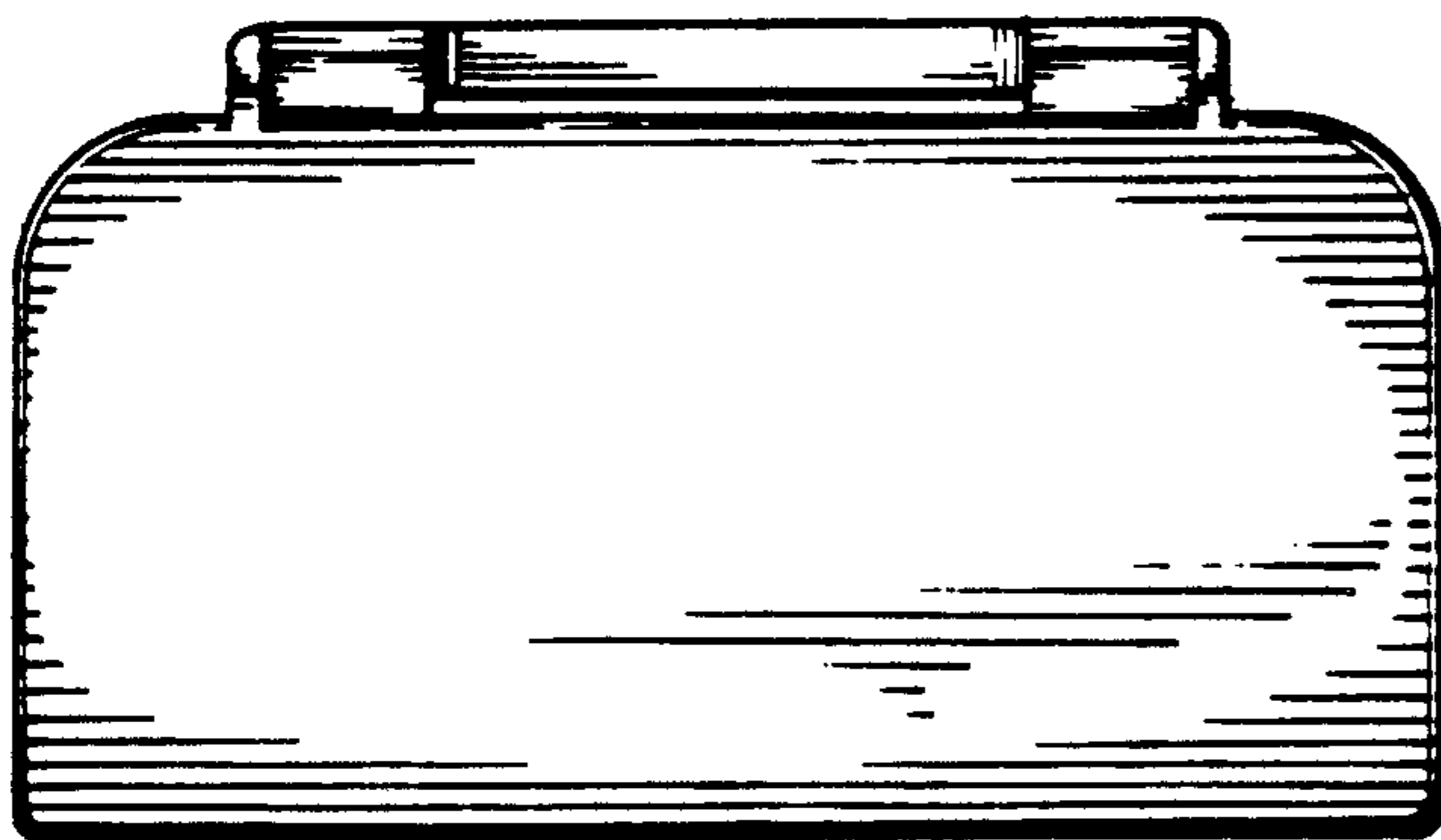


FIG 2

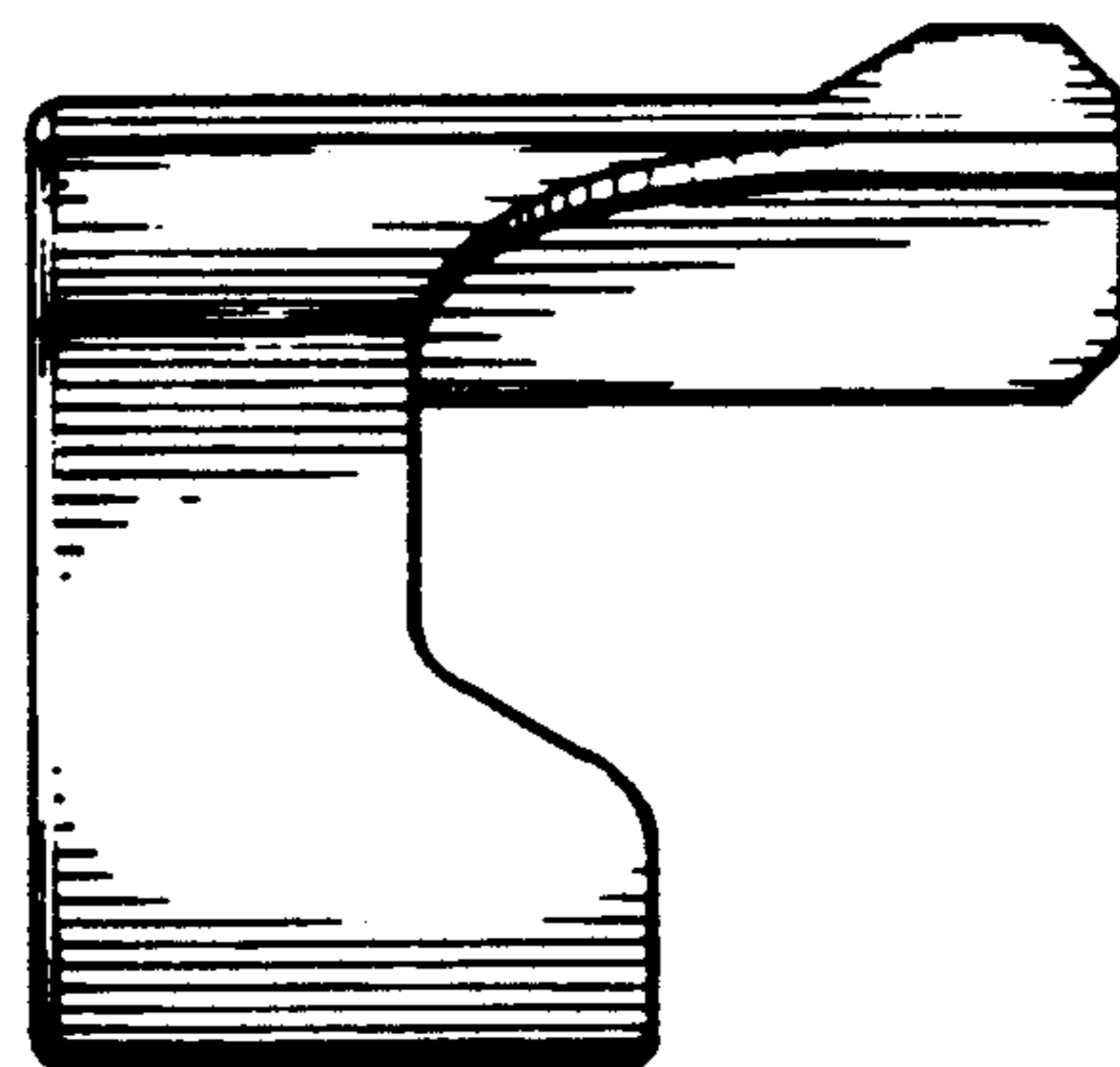


FIG 3

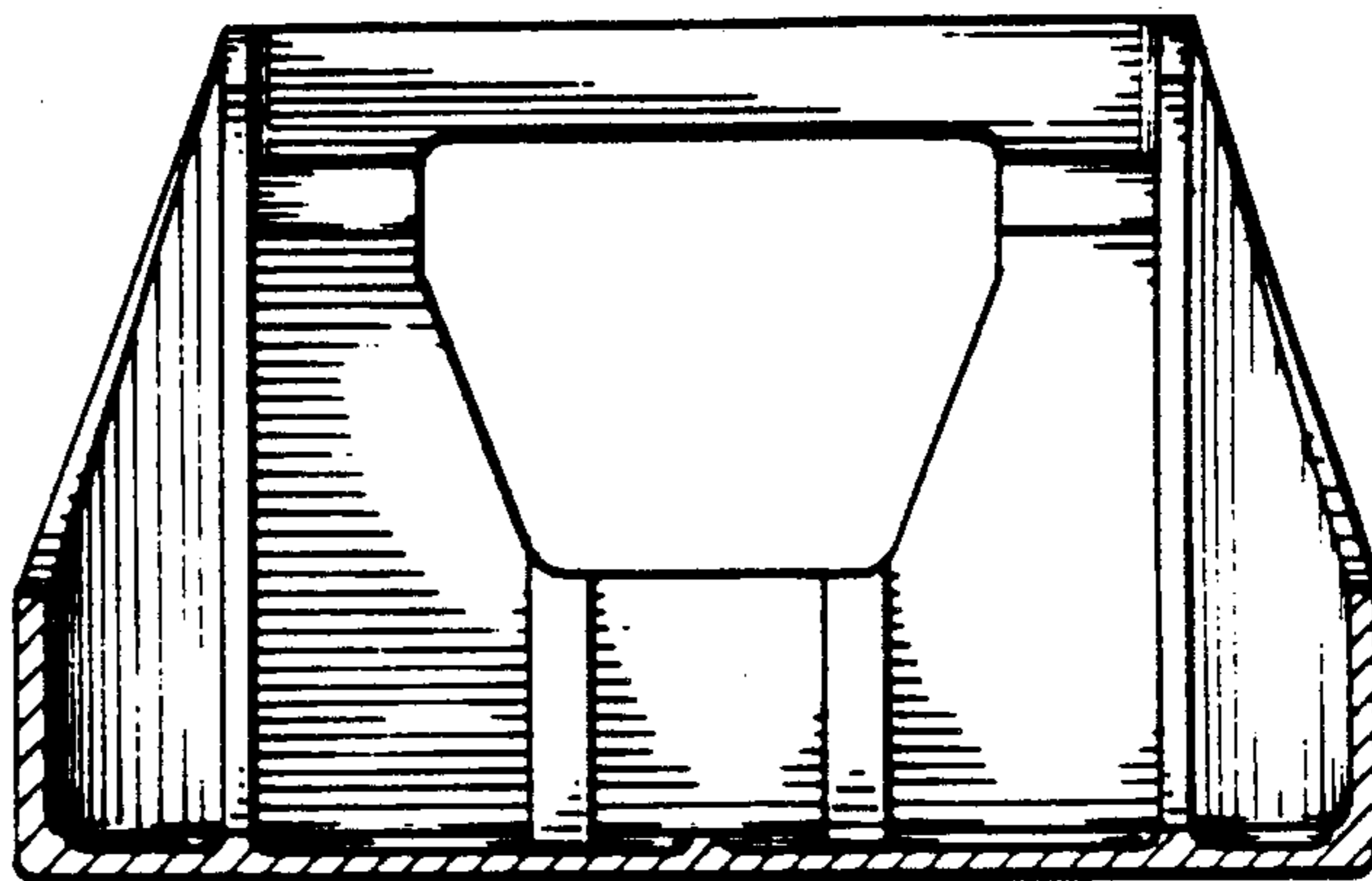


FIG 8

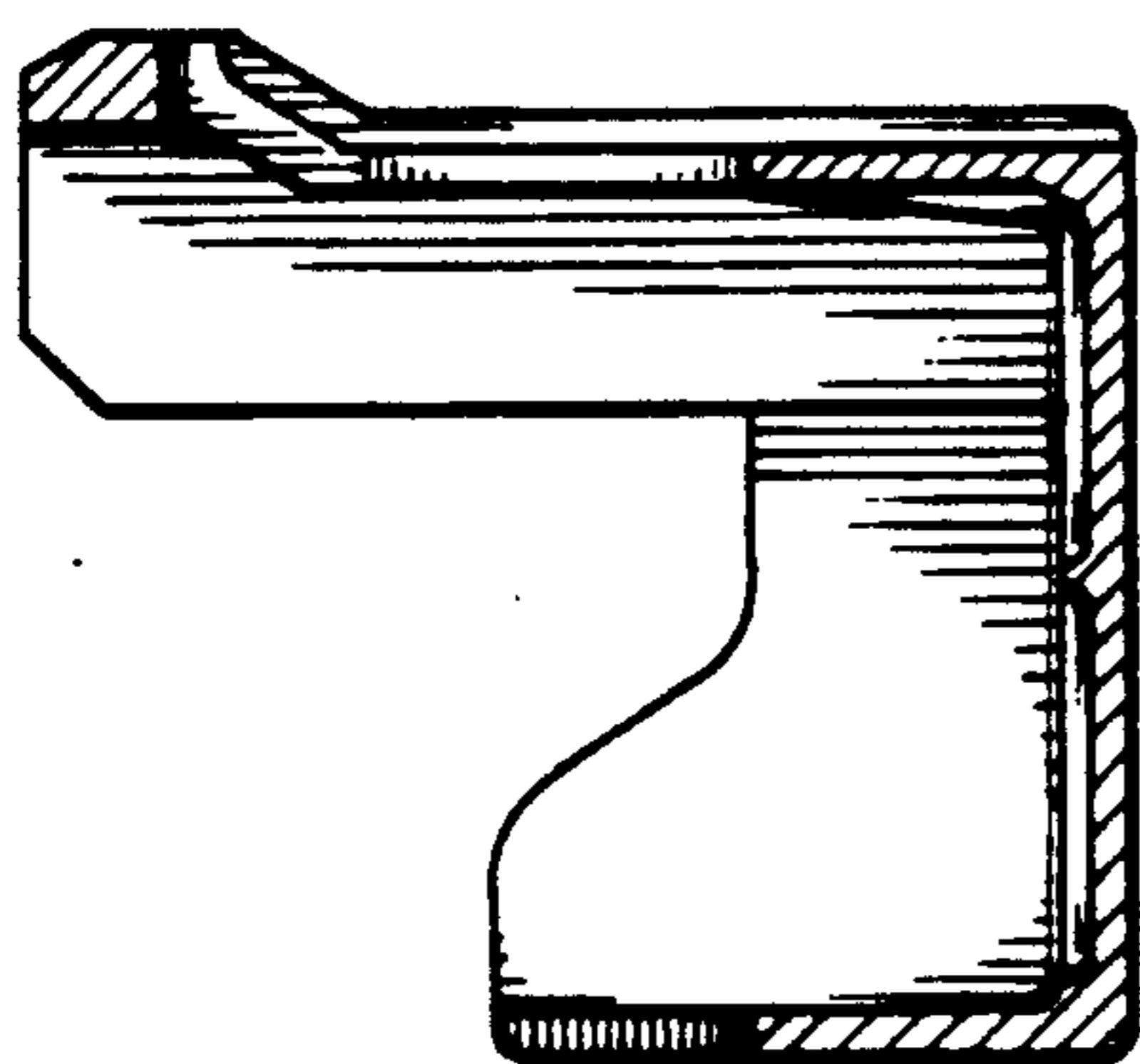


FIG 7

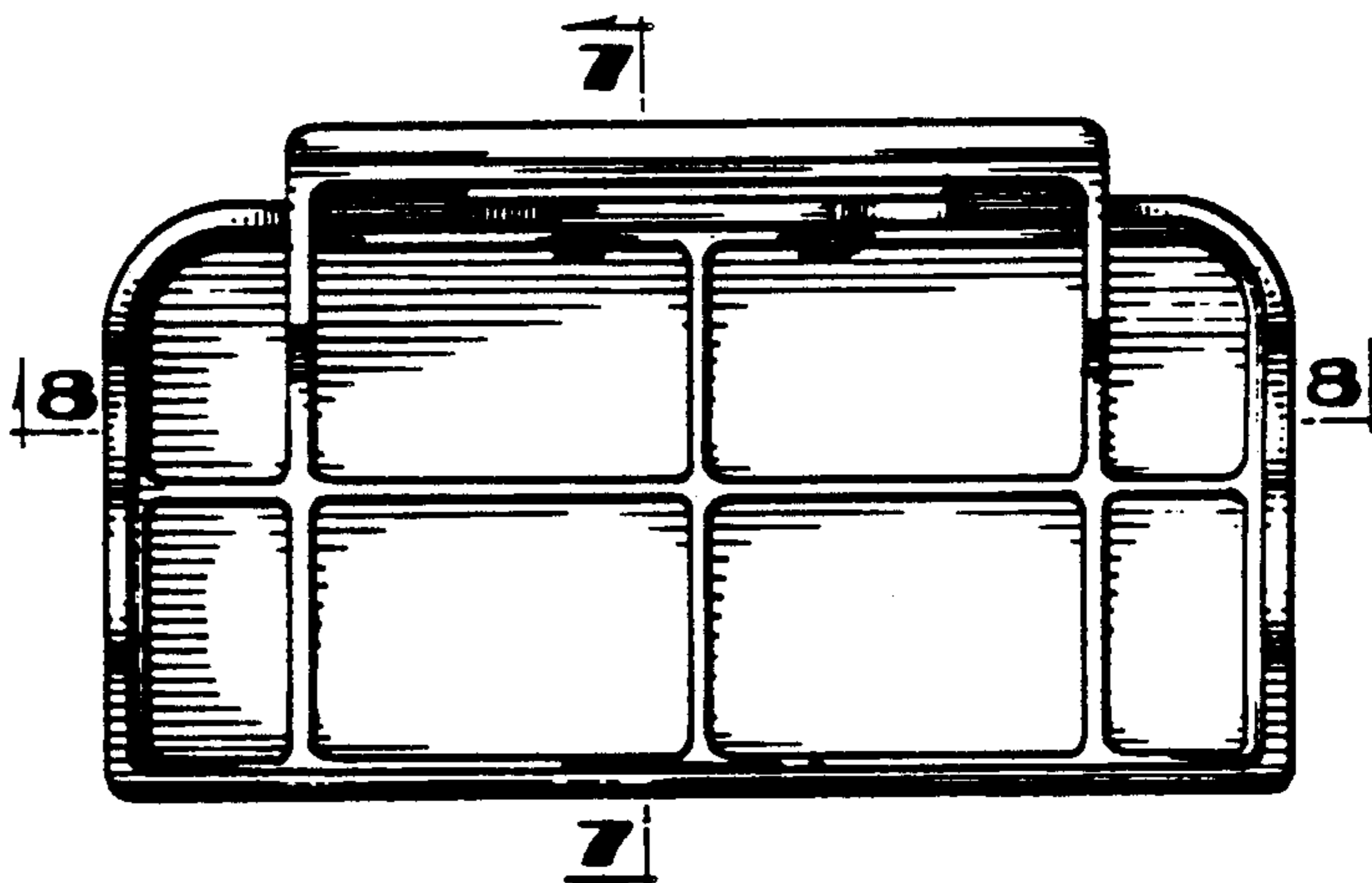


FIG 5

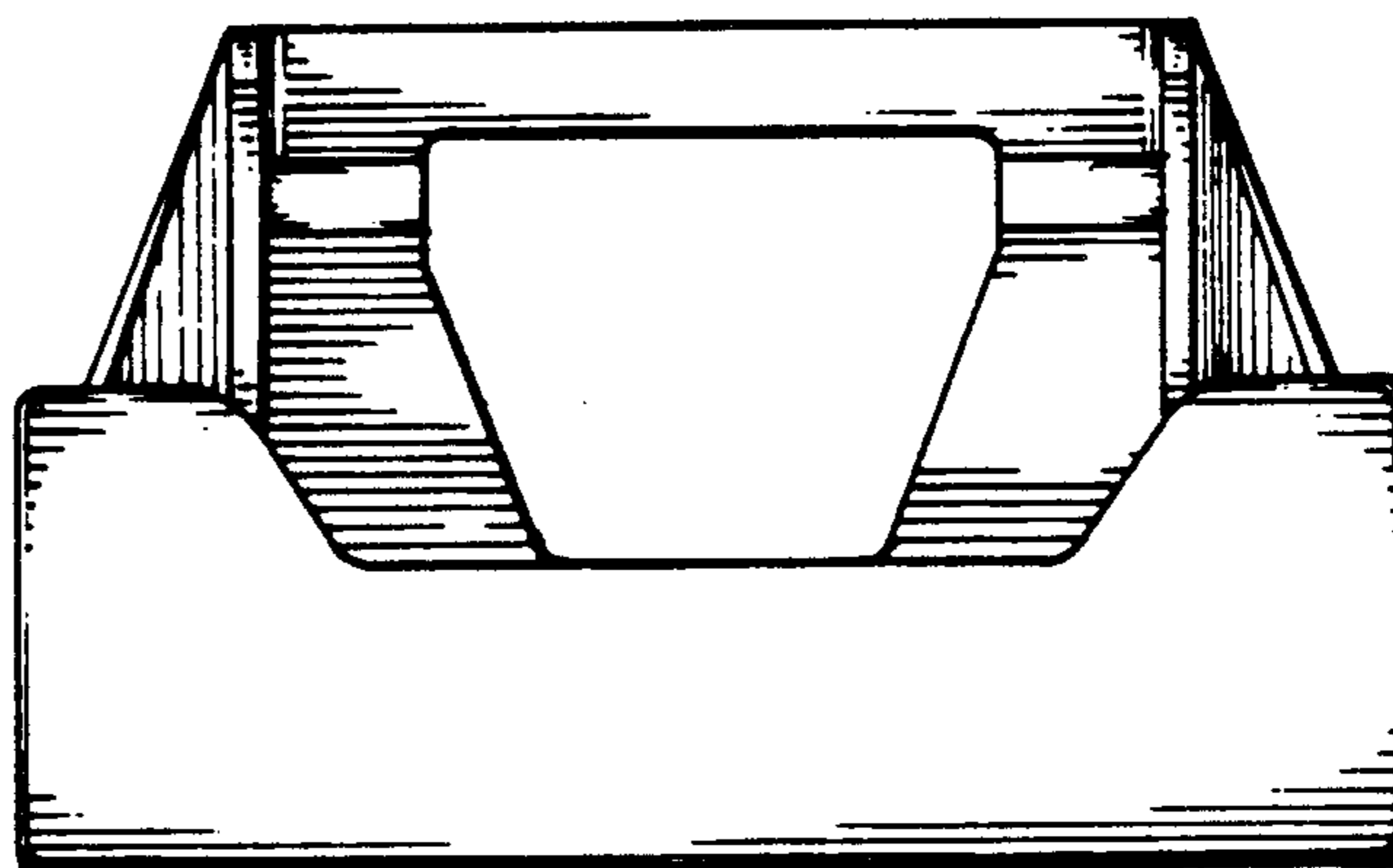


FIG 6