

[54] HOUSING FOR AN ELECTRICAL CONNECTOR

[75] Inventor: Takayuki Yamamoto, Shizuoka, Japan

[73] Assignee: Yazaki Corporation, Tokyo, Japan

[**] Term: 14 Years

[21] Appl. No.: 136,872

[22] Filed: Dec. 22, 1987

[52] U.S. Cl. D13/146

[58] Field of Search D13/133, 146; 439/350, 439/344, 353, 357, 660, 682, 685, 686, 687, 695, 696, 712, 713

[56] References Cited

U.S. PATENT DOCUMENTS

D. 210,533	3/1968	Pauza	D13/24
D. 276,803	12/1984	Moriai et al.	D13/24
3,366,729	1/1968	Pauza	D13/24 X
3,605,070	5/1971	Krafthefer	439/357
4,200,350	4/1980	Zimmerman, Jr.	439/357
4,655,527	4/1987	Vandame	439/350

FOREIGN PATENT DOCUMENTS

0136123	4/1985	European Pat. Off.	439/682
0274408	9/1964	Netherlands	439/682

Primary Examiner—Susan J. Lucas
Assistant Examiner—Joel Sincavage

Attorney, Agent, or Firm—Sughrue, Mion, Zinn, Macpeak & Seas

[57] CLAIM

The ornamental design for a housing for an electrical connector, as shown and described.

DESCRIPTION

FIG. 1 is a front, top and right side perspective view of a housing for an electrical connector showing my new design;

FIG. 2 is a front elevational view thereof;

FIG. 3 is a rear elevational view thereof;

FIG. 4 is a right side elevational view thereof, the left side elevational view being a mirror image;

FIG. 5 is a top plan view thereof;

FIG. 6 is a bottom plan view thereof;

FIG. 7 is a front elevational view of a housing for an electrical connector showing my new design in the open position;

FIG. 8 is a rear elevational view thereof;

FIG. 9 is a left side elevational view thereof;

FIG. 10 is a right side elevational view thereof, the left side elevational view being a mirror image;

FIG. 11 is a rear, top and left side perspective view of a housing for an electrical connector showing my new design with its conductors mounted, positioned for coupling to another connector housing for the purpose of a complete disclosure.

The broken line shown is for illustrative purposes only and forms no part of the claimed design.

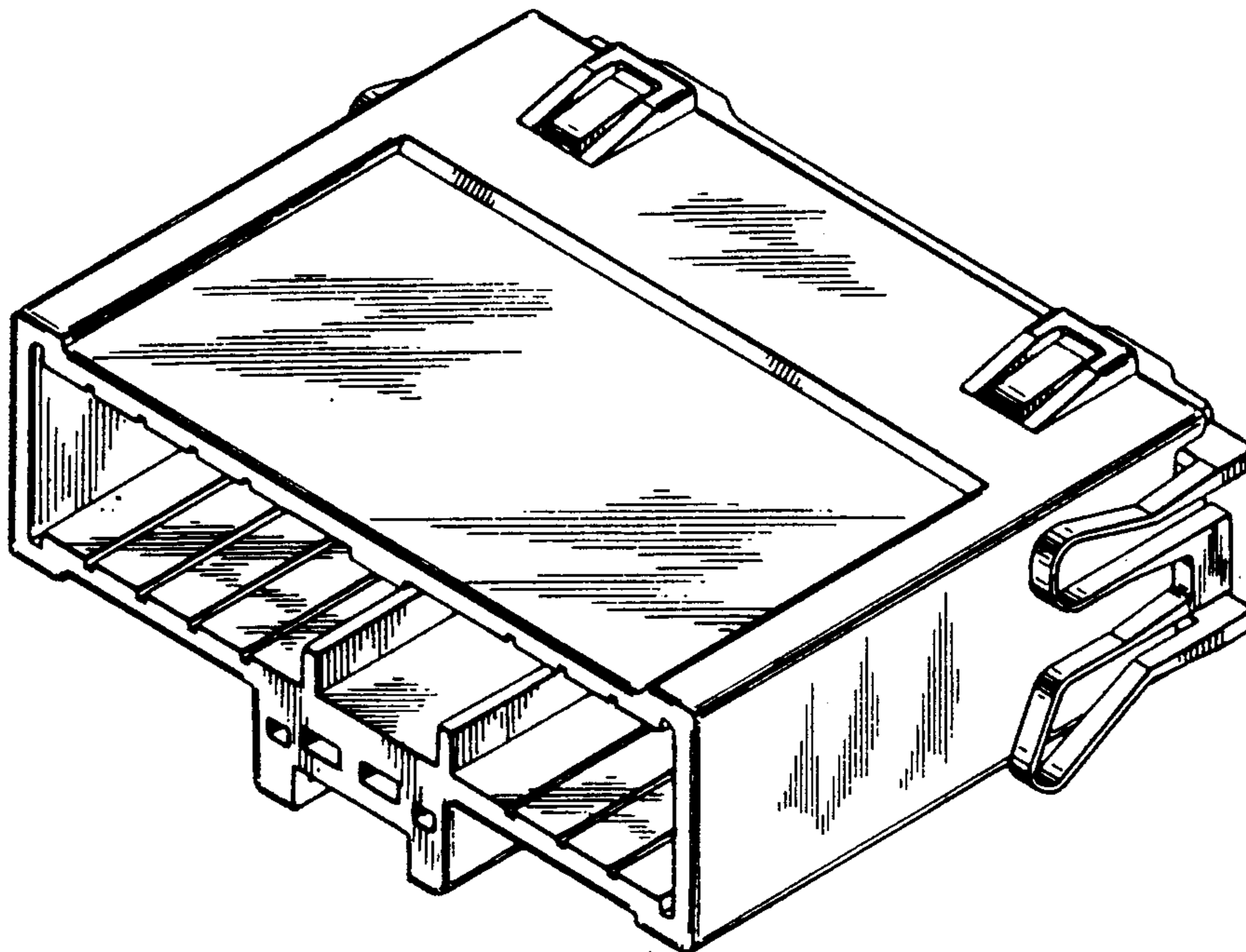


FIG. 1

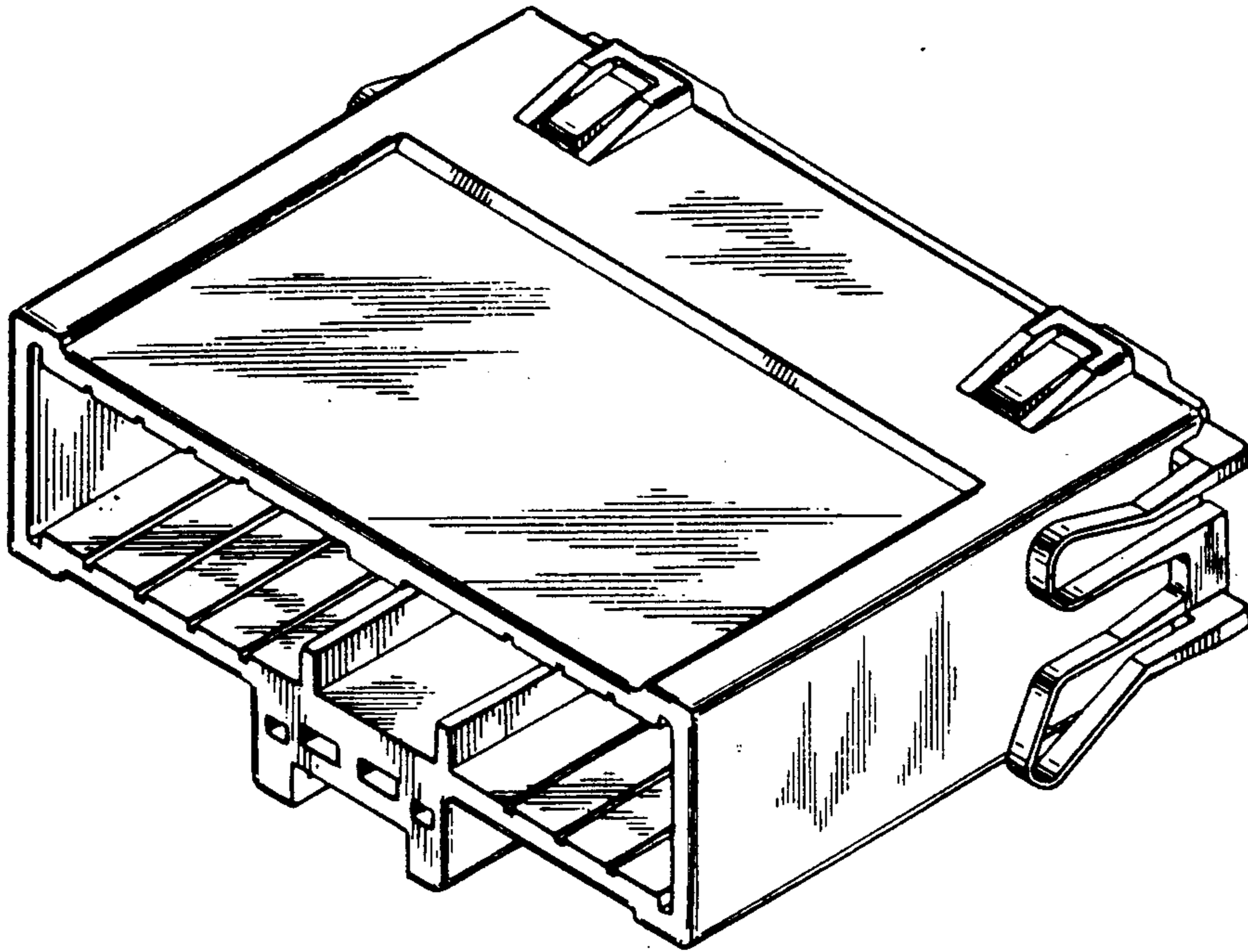


FIG. 2

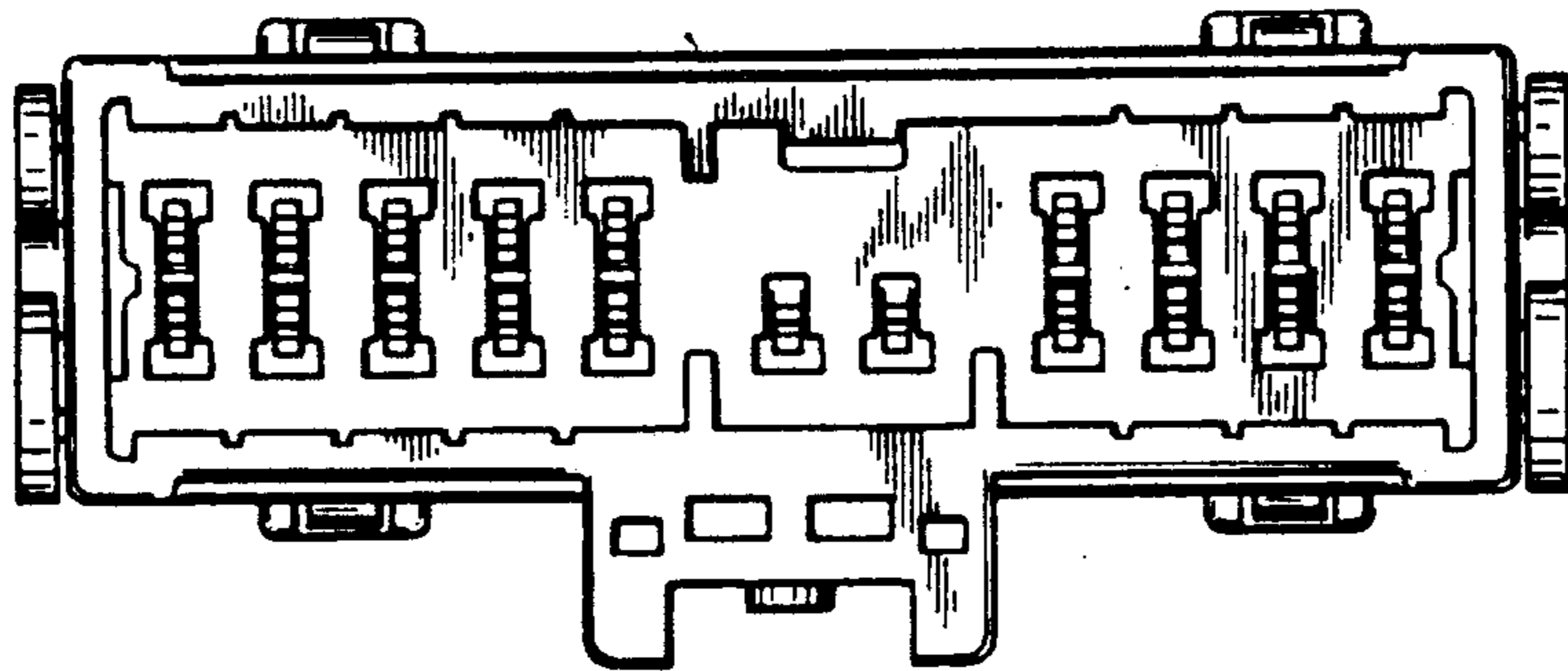


FIG. 3

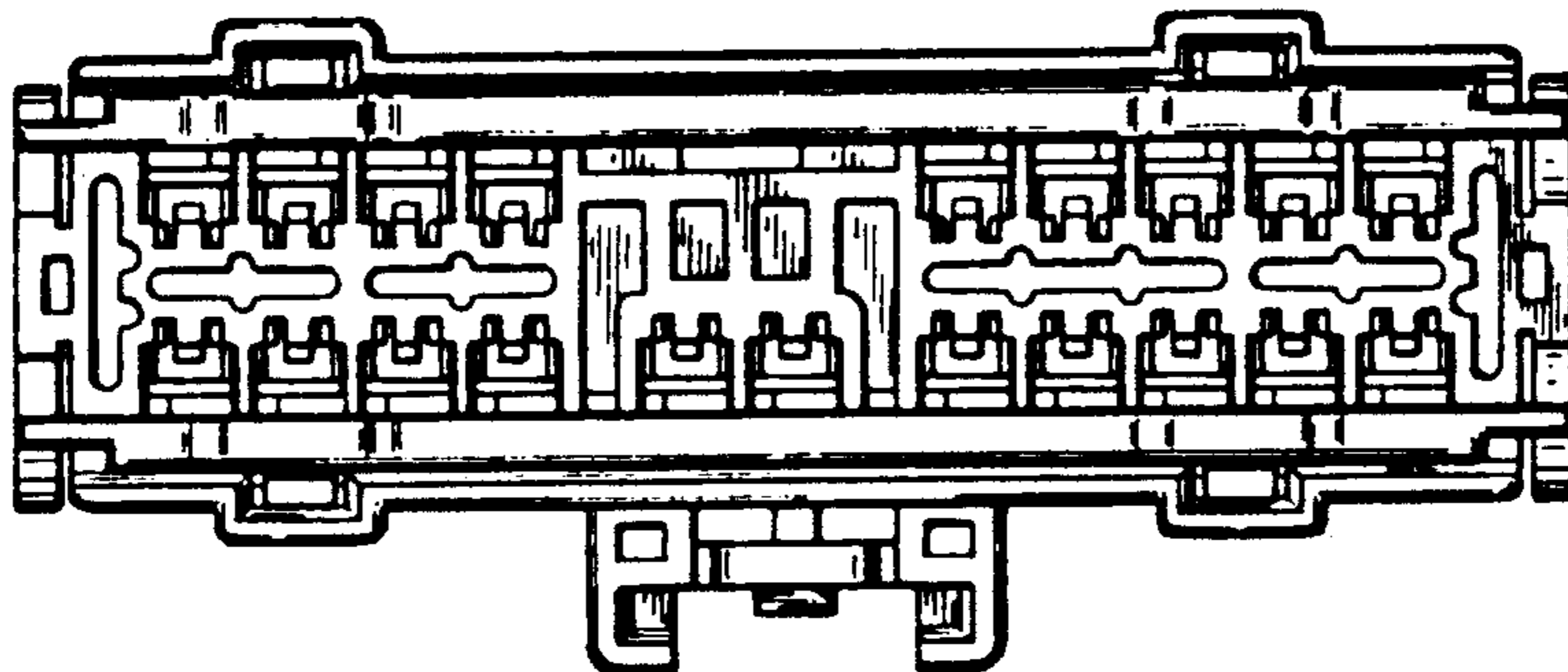


FIG. 4

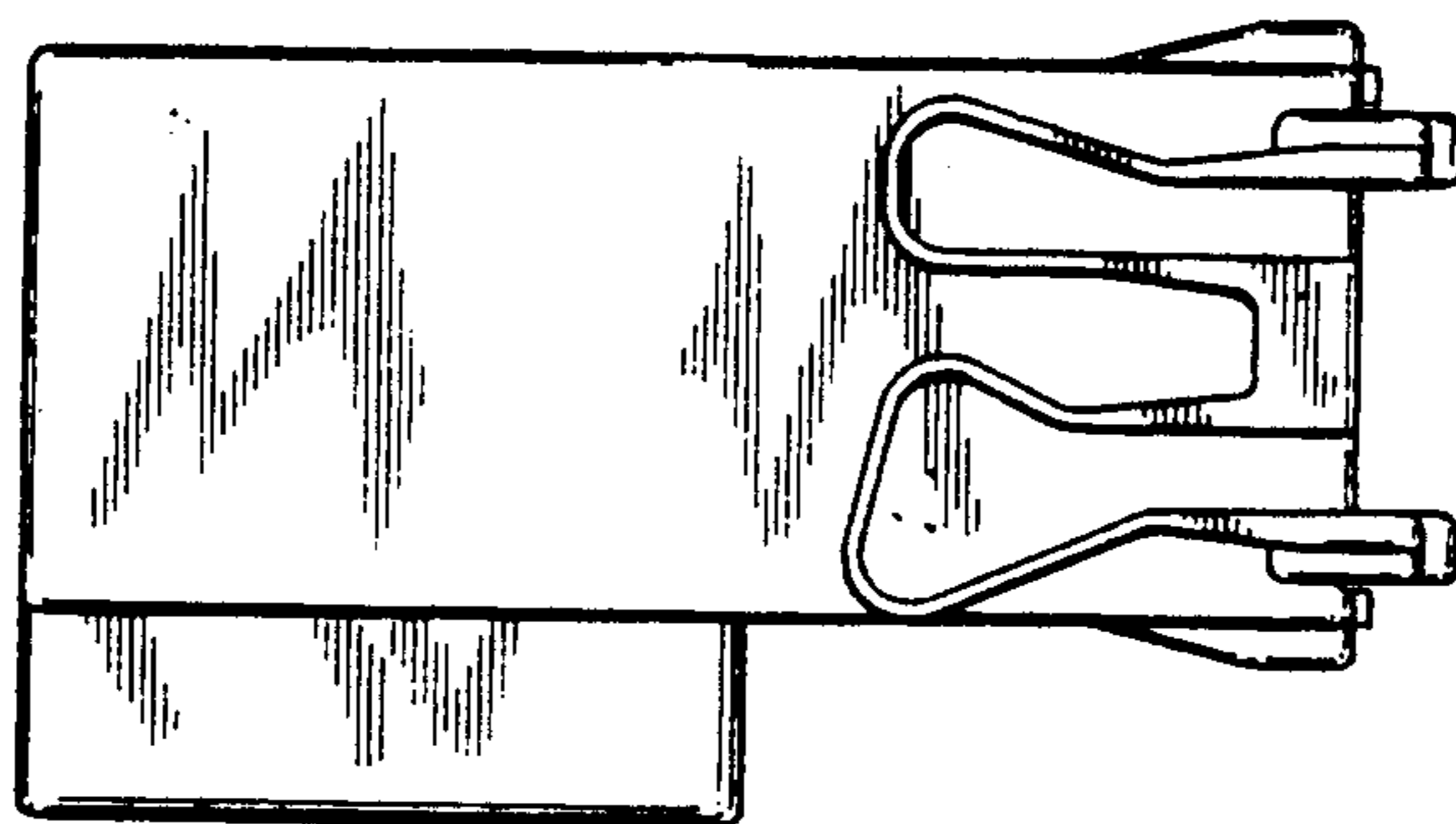


FIG. 5



FIG. 6

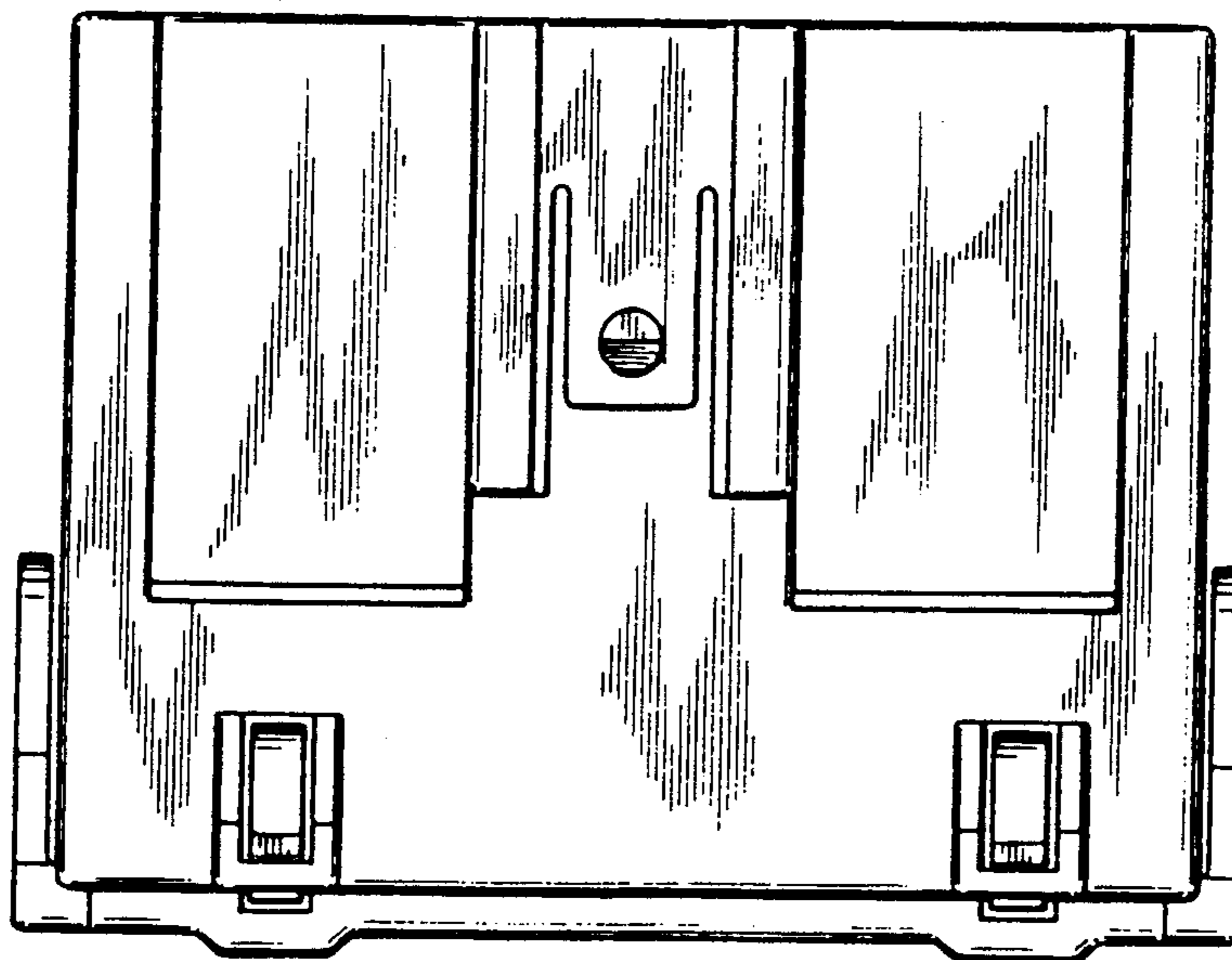


FIG. 7

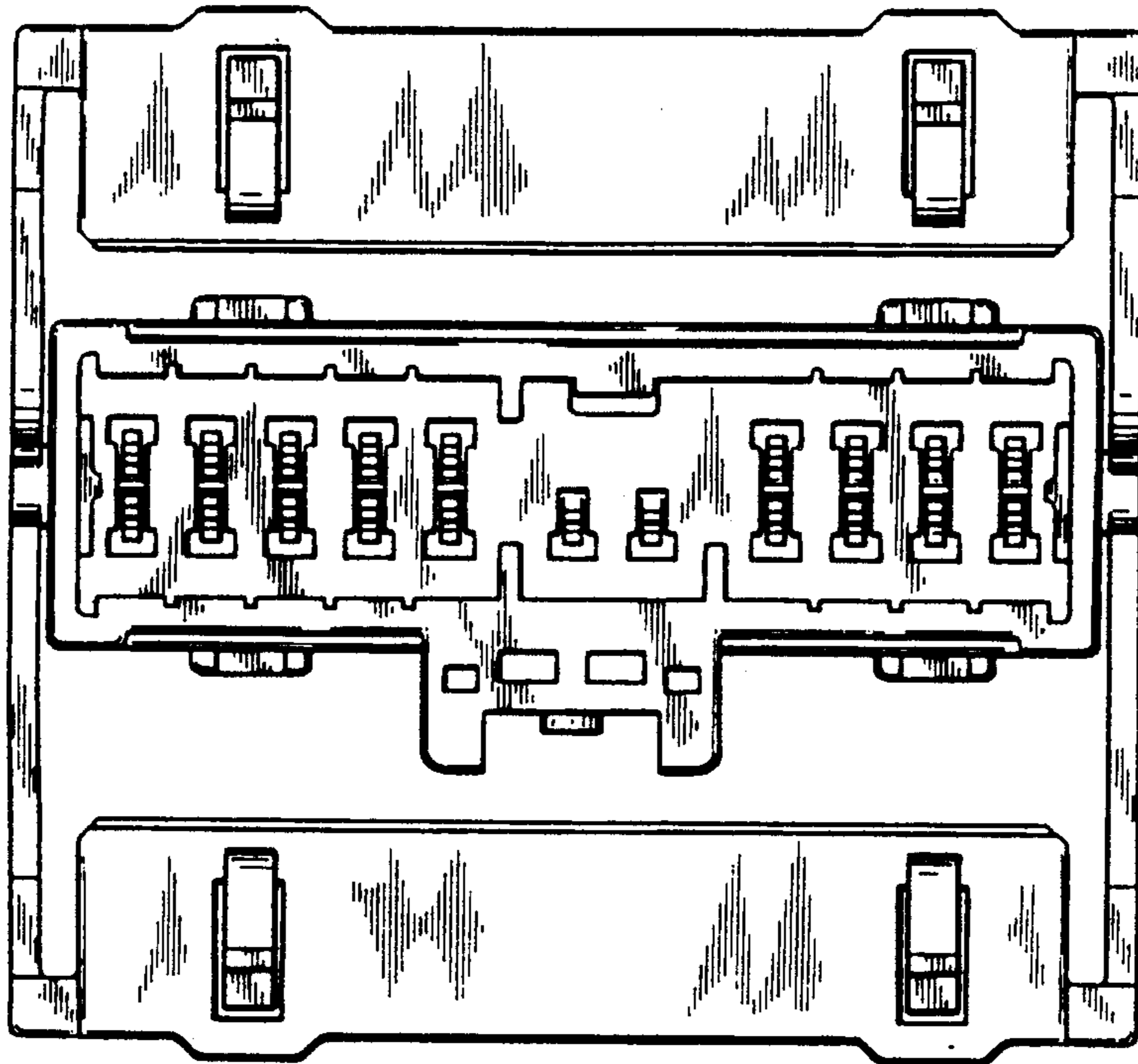
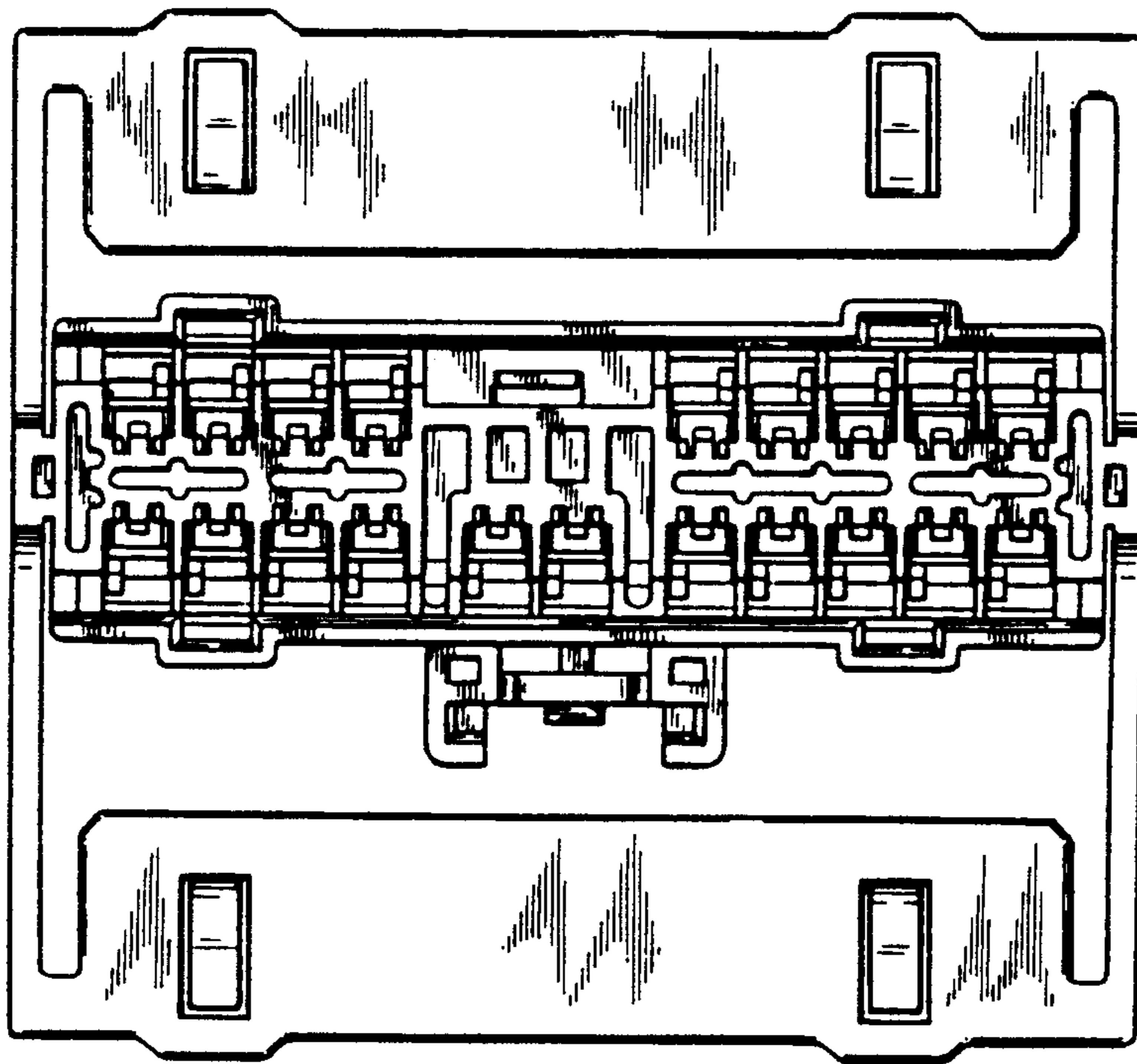


FIG. 8



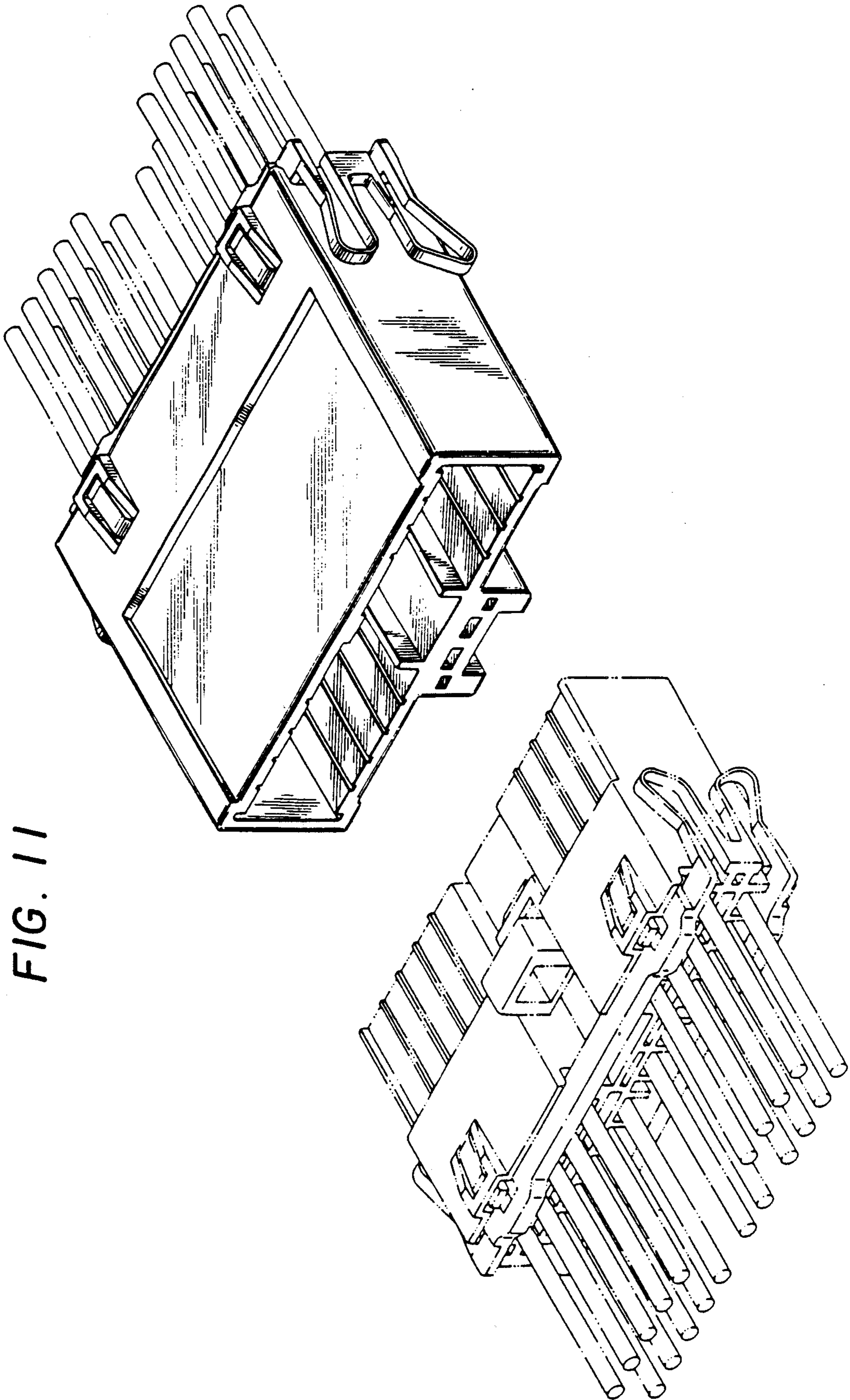


FIG. 11

FIG. 9

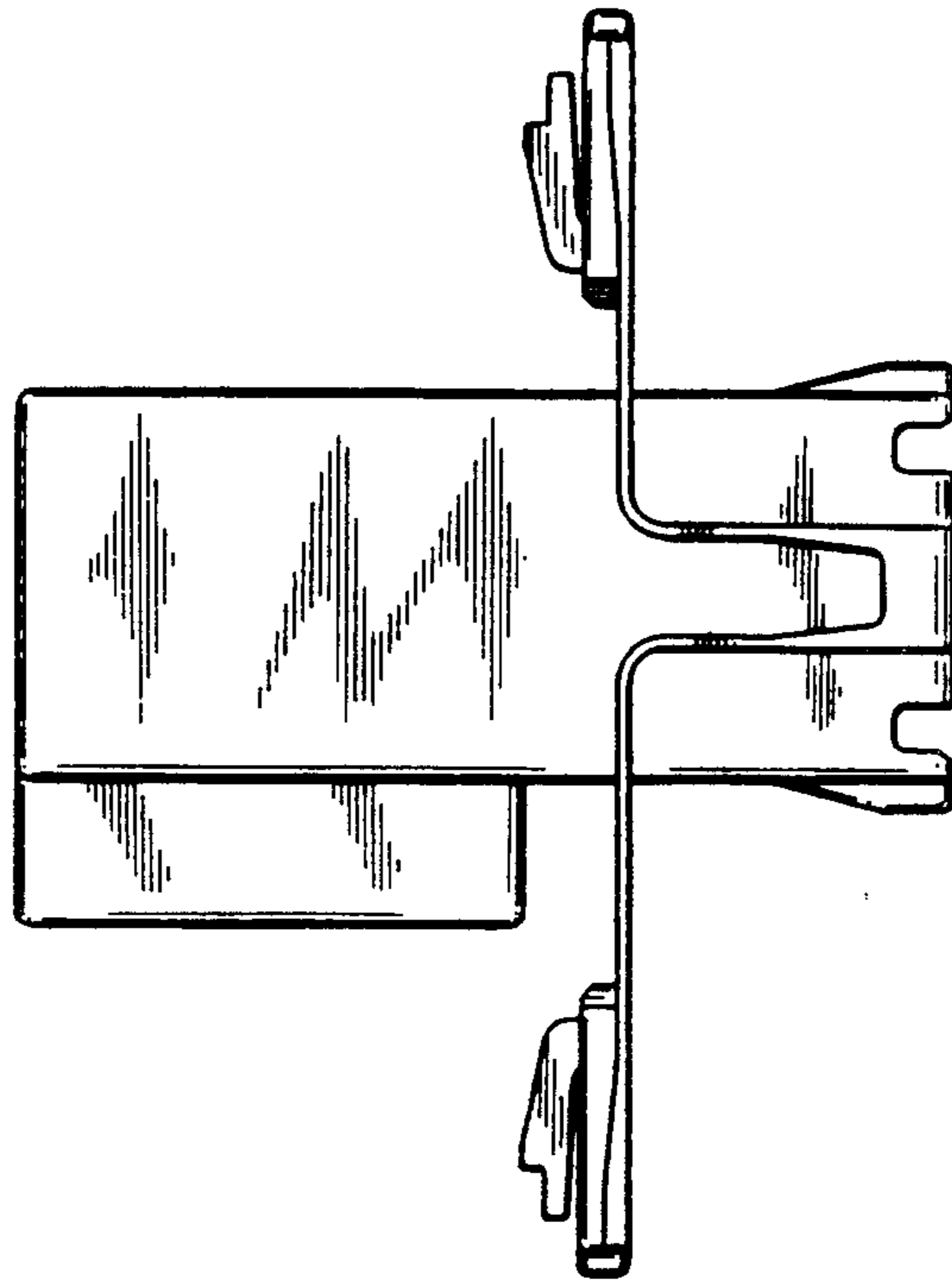


FIG. 10

