

[54] **VEHICLE**

[76] **Inventor: Paul Legueu, 85 Avenue Mazy, 44380 Pornichet, France**

[\*\*] **Term: 14 Years**

[21] **Appl. No.: 153,598**

[22] **Filed: Feb. 8, 1988**

[30] **Foreign Application Priority Data**

Jan. 22, 1988 [FR] France ..... 88 0400  
[52] **U.S. Cl.** ..... **D12/96; D12/1**  
[58] **Field of Search** ..... **D12/96, 97, 1; 296/190, 296/181, 183; 180/89.1, 89.12, 89.14, 89.16, 89.19**

[56] **References Cited**

**U.S. PATENT DOCUMENTS**

D. 253,763 12/1979 Legueu ..... D12/164

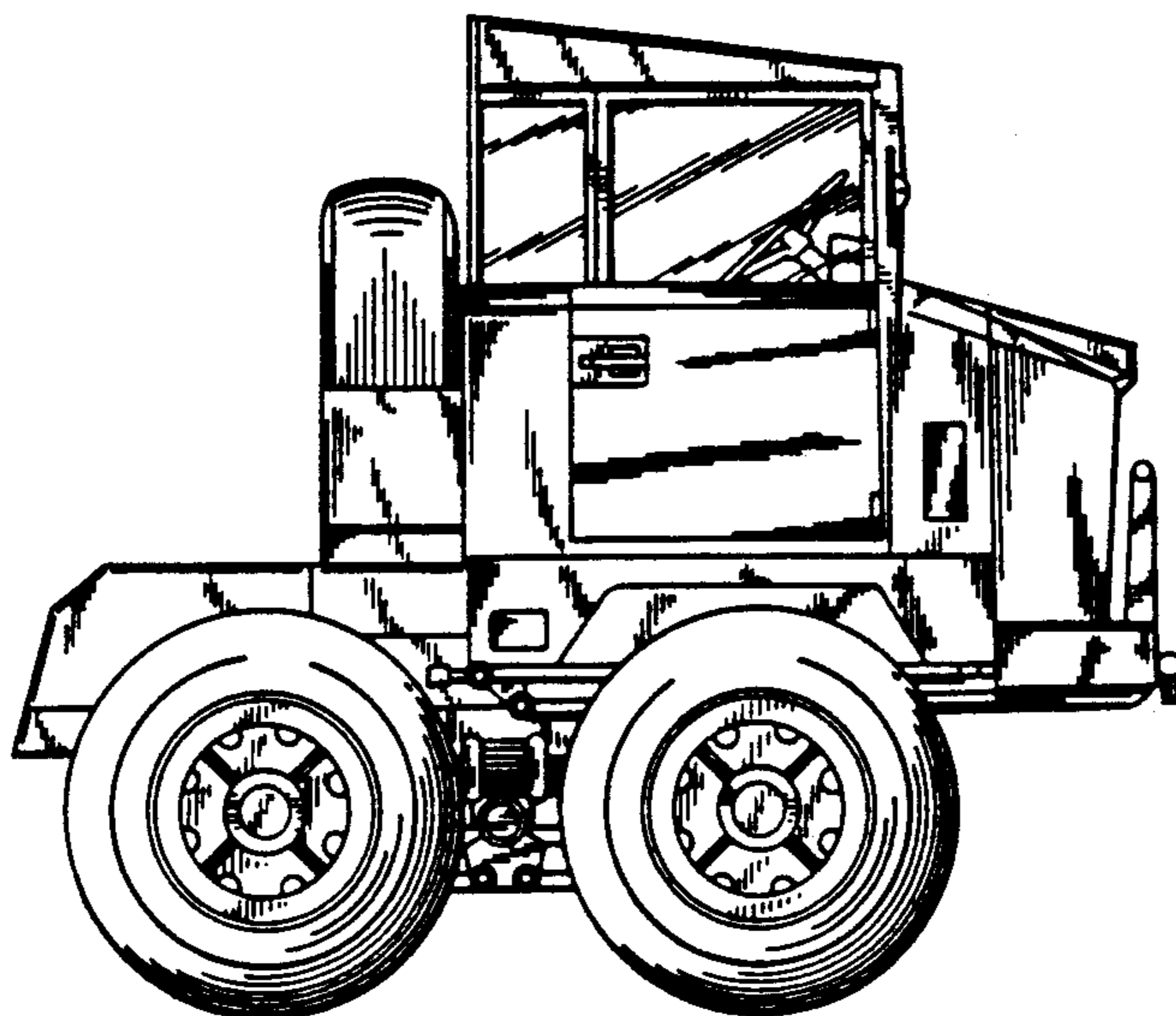
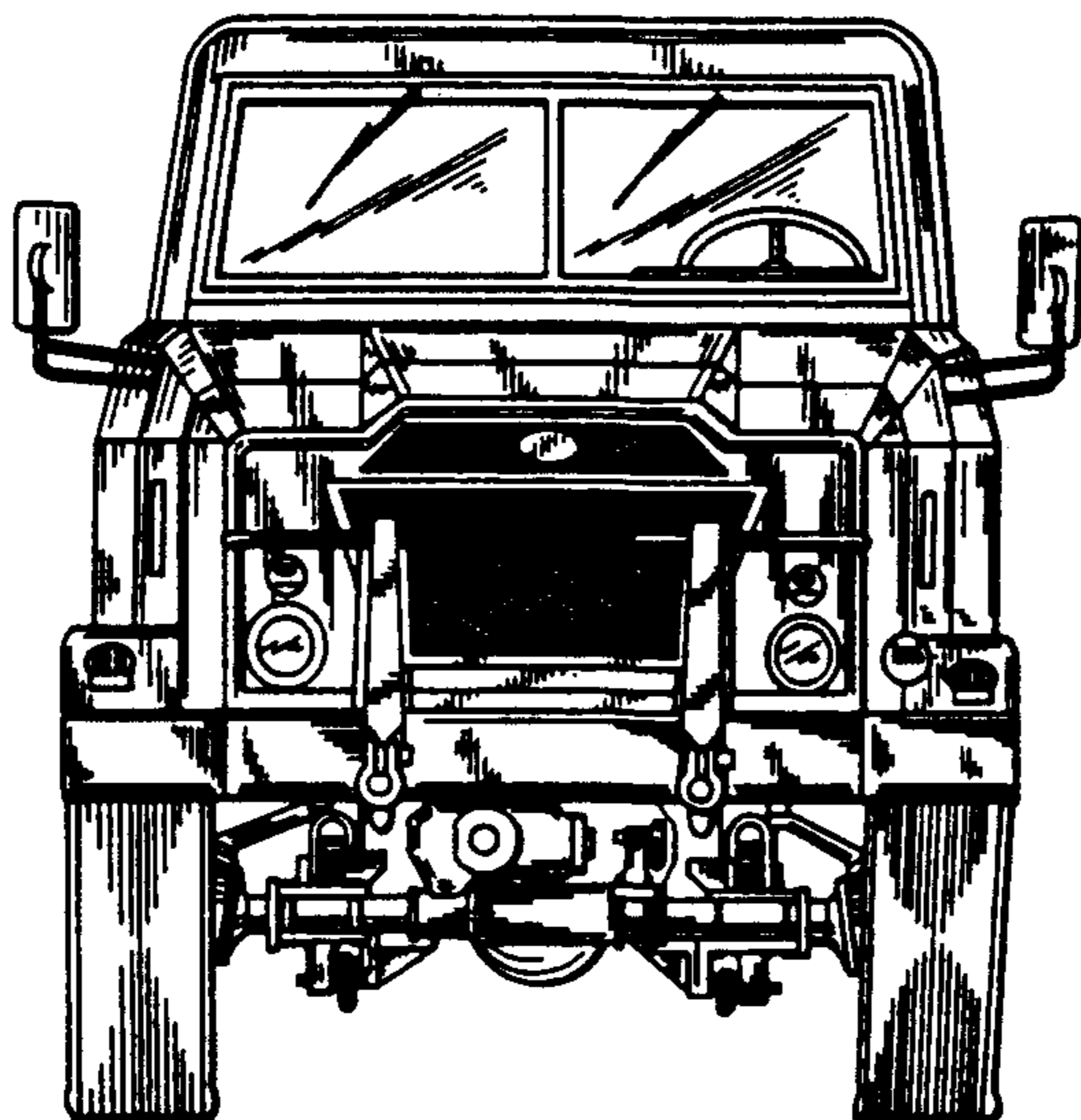
*Primary Examiner*—James M. Gandy  
*Attorney, Agent, or Firm*—Wegner, Cantor, Mueller & Player

[57] **CLAIM**

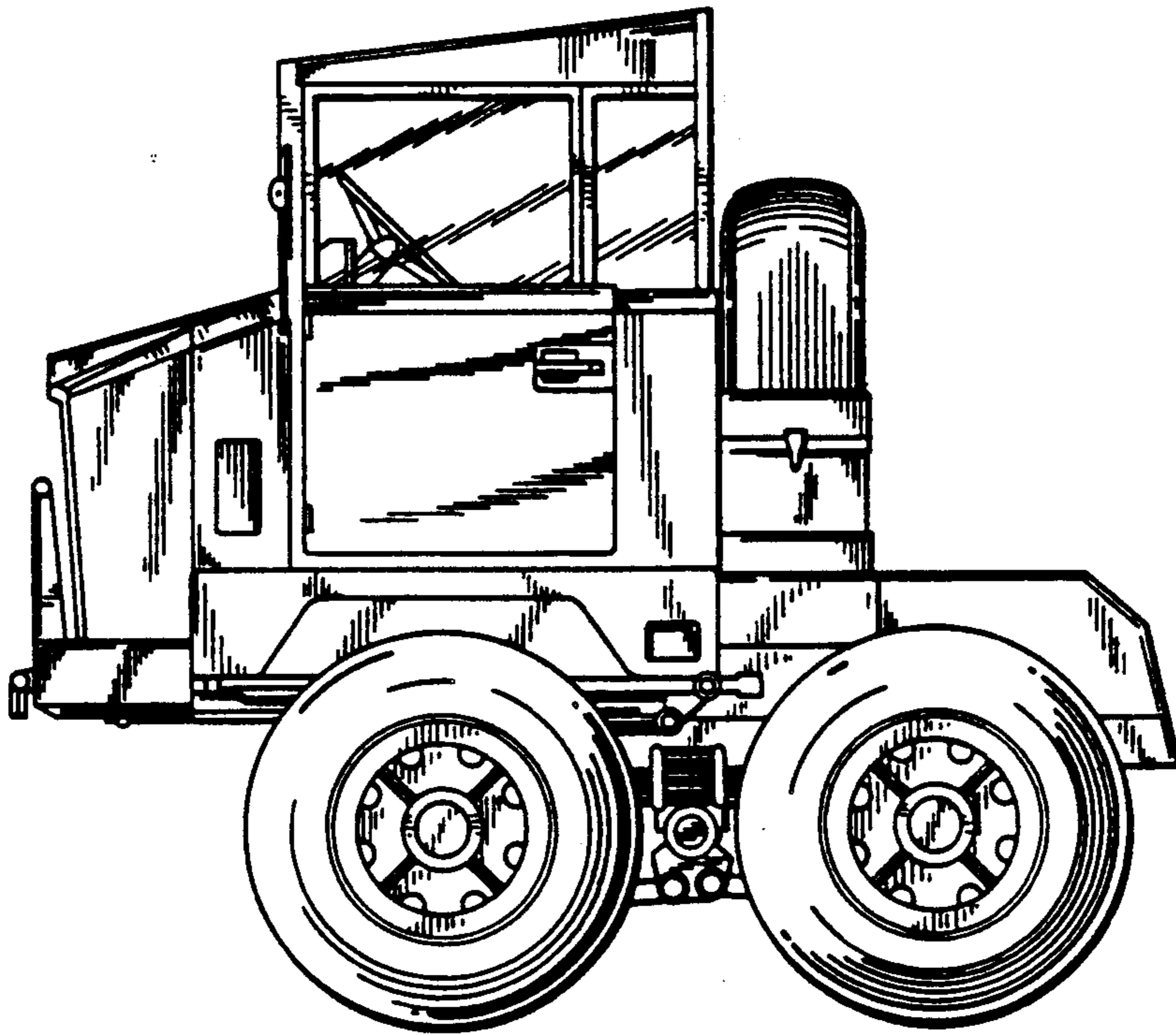
The ornamental design for a vehicle, as shown.

**DESCRIPTION**

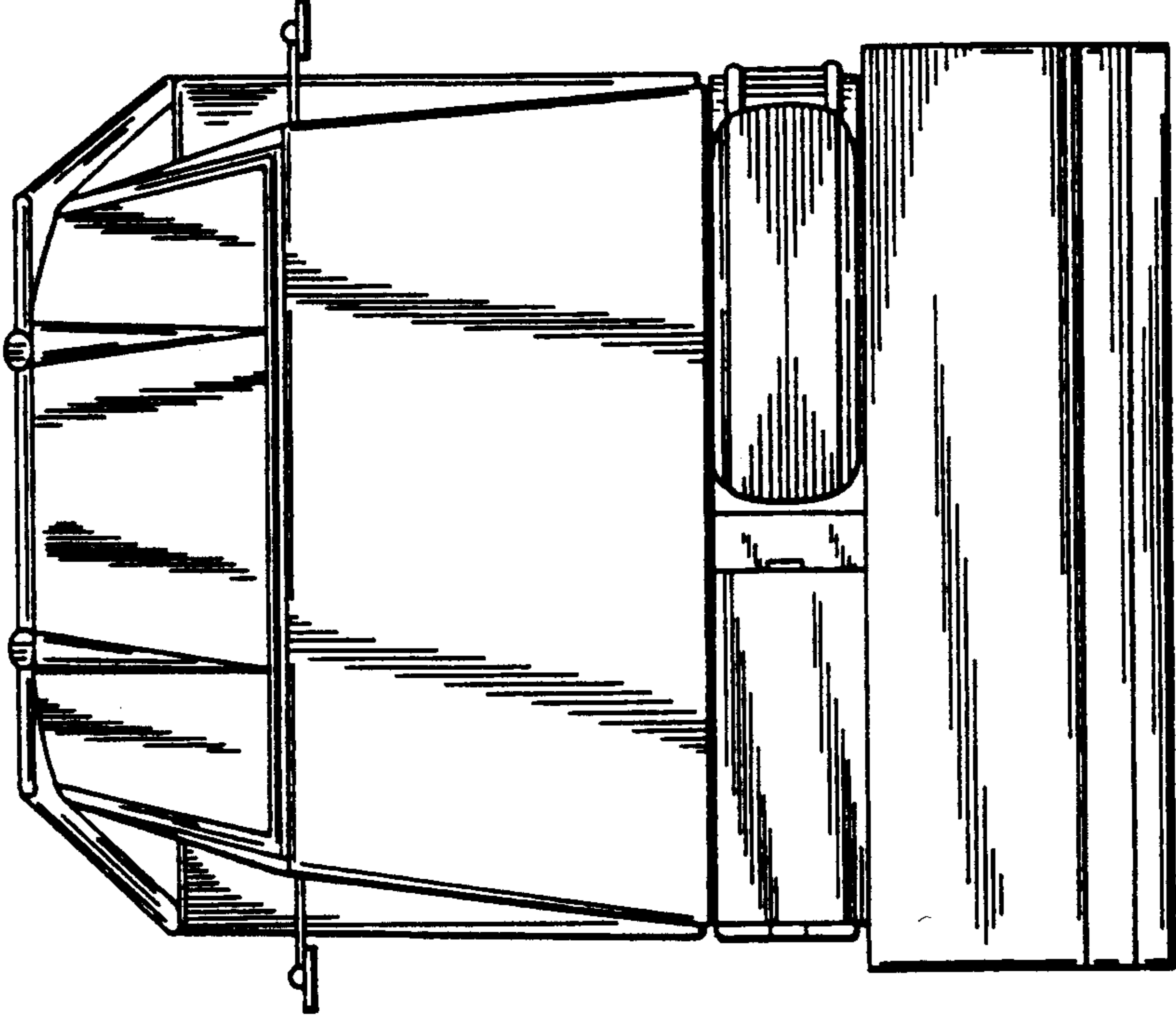
FIG. 1 is a side elevation view of a vehicle showing my new design;  
FIG. 2 is a top plan view thereof;  
FIG. 3 is a bottom plan view thereof;  
FIG. 4 is a rear elevation view thereof;  
FIG. 5 is a front elevation view thereof; and  
FIG. 6 is an opposite side elevation view thereof.



*FIG. 1*



*FIG. 2*



*FIG. 3*

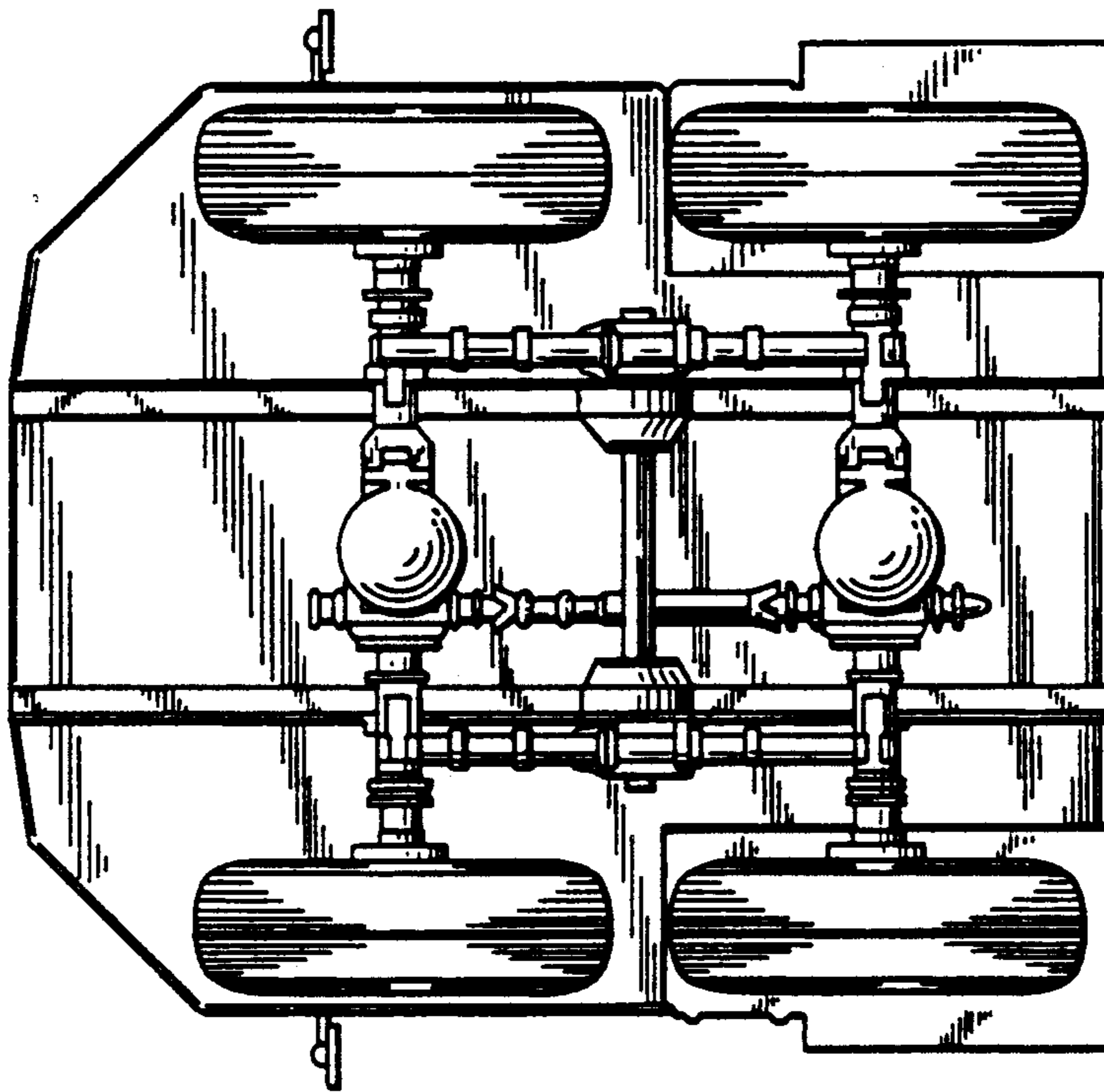


FIG. 5

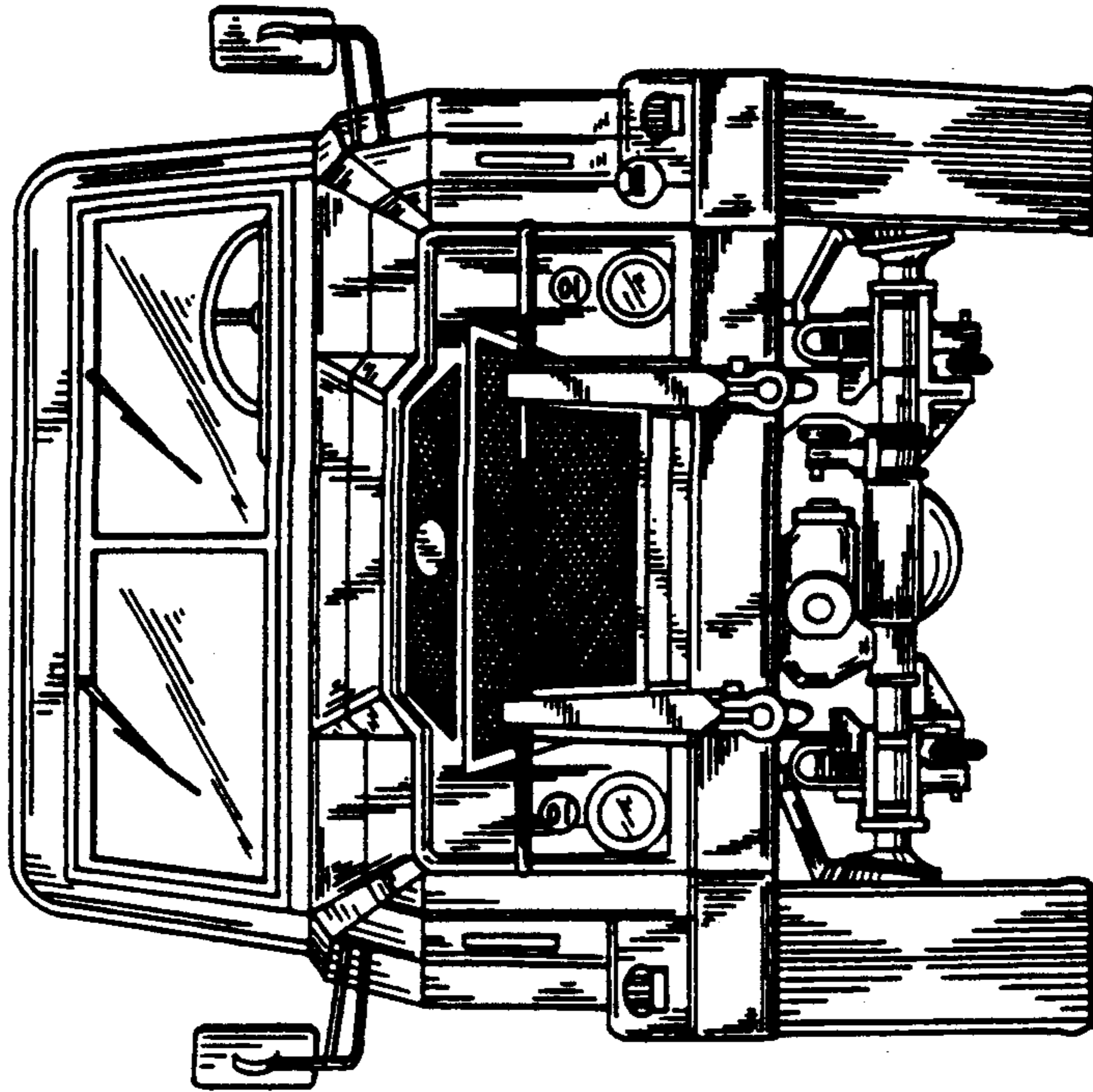
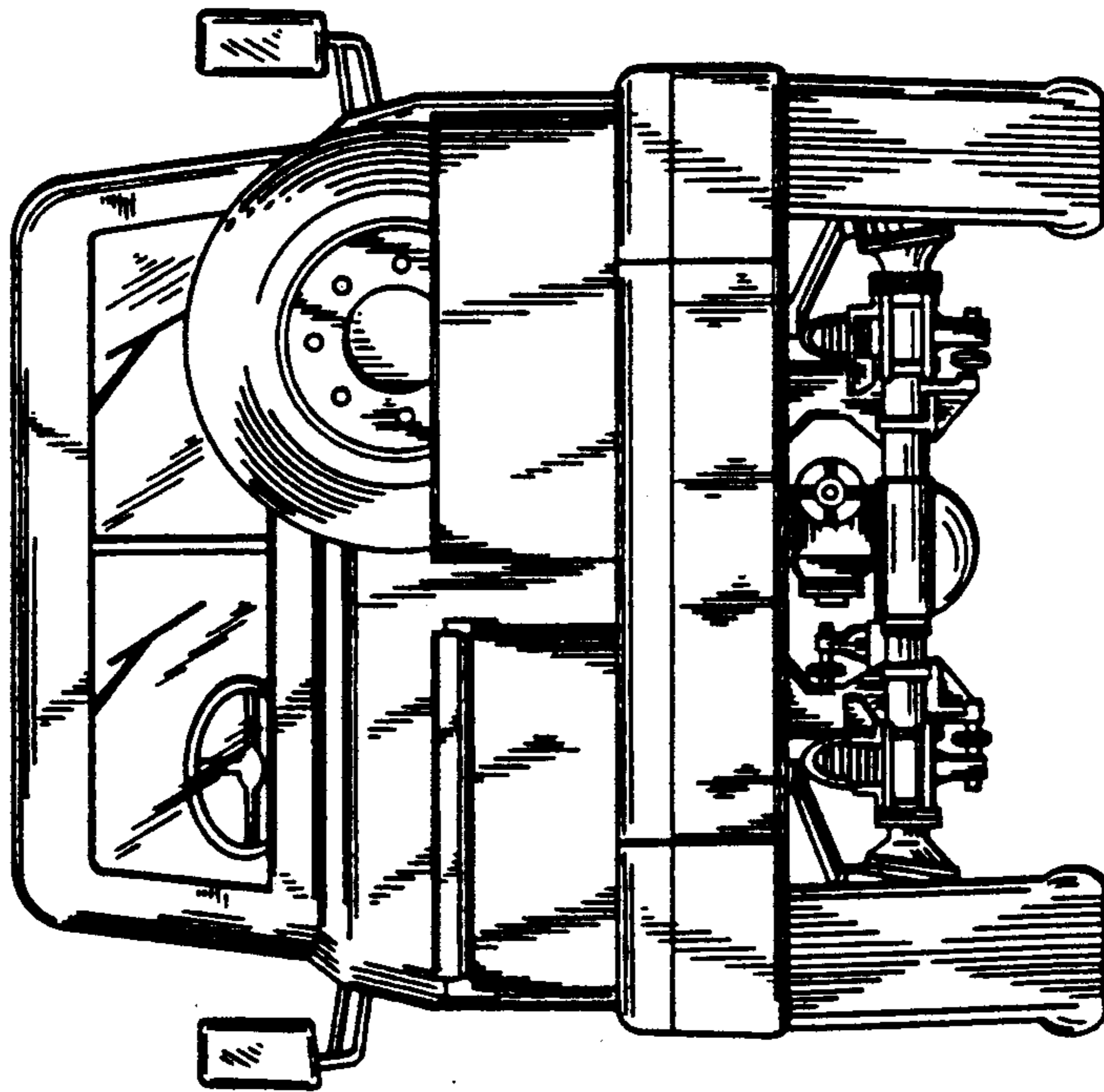


FIG. 4





**FIG. 6**

