

[54] PACKAGE FOR A DISPOSABLE CAMERA

[75] Inventors: Takuya Arai; Kimiaki Nakada, both of Tokyo, Japan

[73] Assignee: Fuji Photo Film Co., Ltd., Kanagawa, Japan

[\*] Notice: The portion of the term of this patent subsequent to Dec. 11, 2004 has been disclaimed.

[\*\*] Term: 14 Years

[21] Appl. No.: 947,962

[22] Filed: Dec. 30, 1986

[30] Foreign Application Priority Data

Jun. 30, 1986 [JP] Japan ..... 61-25409  
Jun. 30, 1986 [JP] Japan ..... 61-25410

[52] U.S. Cl. .... D9/432

[58] Field of Search ..... D9/307, 416, 415, 432; D14/121; D16/200, 218; 206/316.2, 455, 456; 150/165; 224/908; 354/174, 126, 400, 275, 288

[56] References Cited

U.S. PATENT DOCUMENTS

D. 29,376 9/1898 Brownell ..... D16/200  
D. 73,750 11/1927 Lehr ..... D16/218

D. 74,211 1/1928 Bornmann ..... D16/218  
D. 83,021 1/1931 Teague ..... D16/218  
D. 284,654 7/1986 Sawdeu et al. .... D14/121  
D. 291,879 8/1987 Ito et al. .... D16/218 X  
2,072,625 3/1937 Rose ..... D14/121 X

OTHER PUBLICATIONS

May 25, 1986, Issue of, "Japan Economic News", p. 8, and English translation of the relevant column.  
Jun. 16, 1986, Issue of "Business Week", pp. 1, 3 and 92.

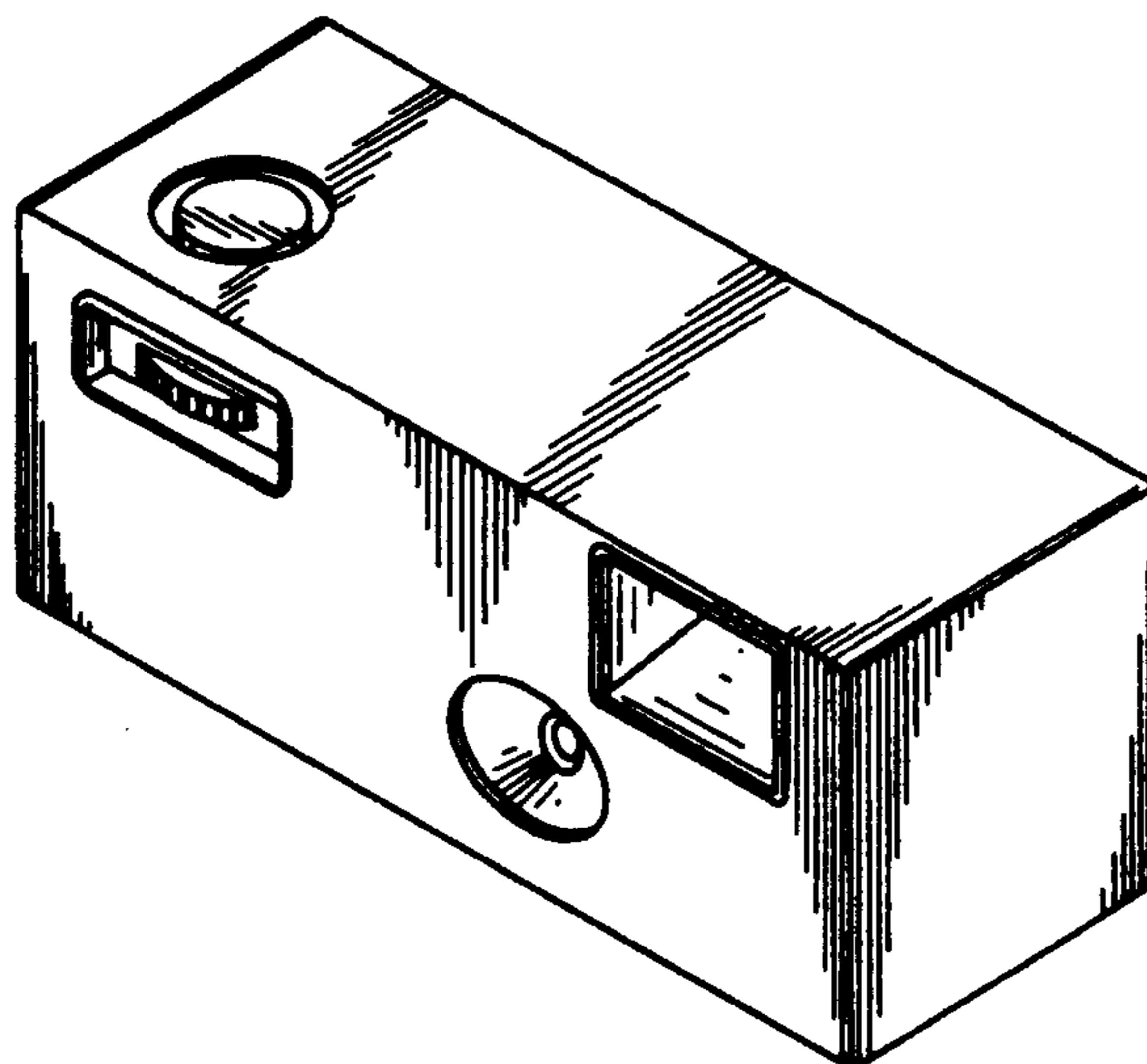
Primary Examiner—Bernard Ansher  
Assistant Examiner—Prabhakar Deshmukh  
Attorney, Agent, or Firm—Young & Thompson

[57] CLAIM

The ornamental design for a package for a disposable camera, as shown and described.

DESCRIPTION

FIG. 1 is a perspective view of a package for a disposable camera showing my new design;  
FIG. 2 is a front elevational view thereof;  
FIG. 3 is a rear elevational view thereof;  
FIG. 4 is an end elevational view thereof from the left of FIG. 2;  
FIG. 5 is an end elevational view thereof from the right of FIG. 2;  
FIG. 6 is a top plan view thereof; and  
FIG. 7 is a bottom plan view thereof.



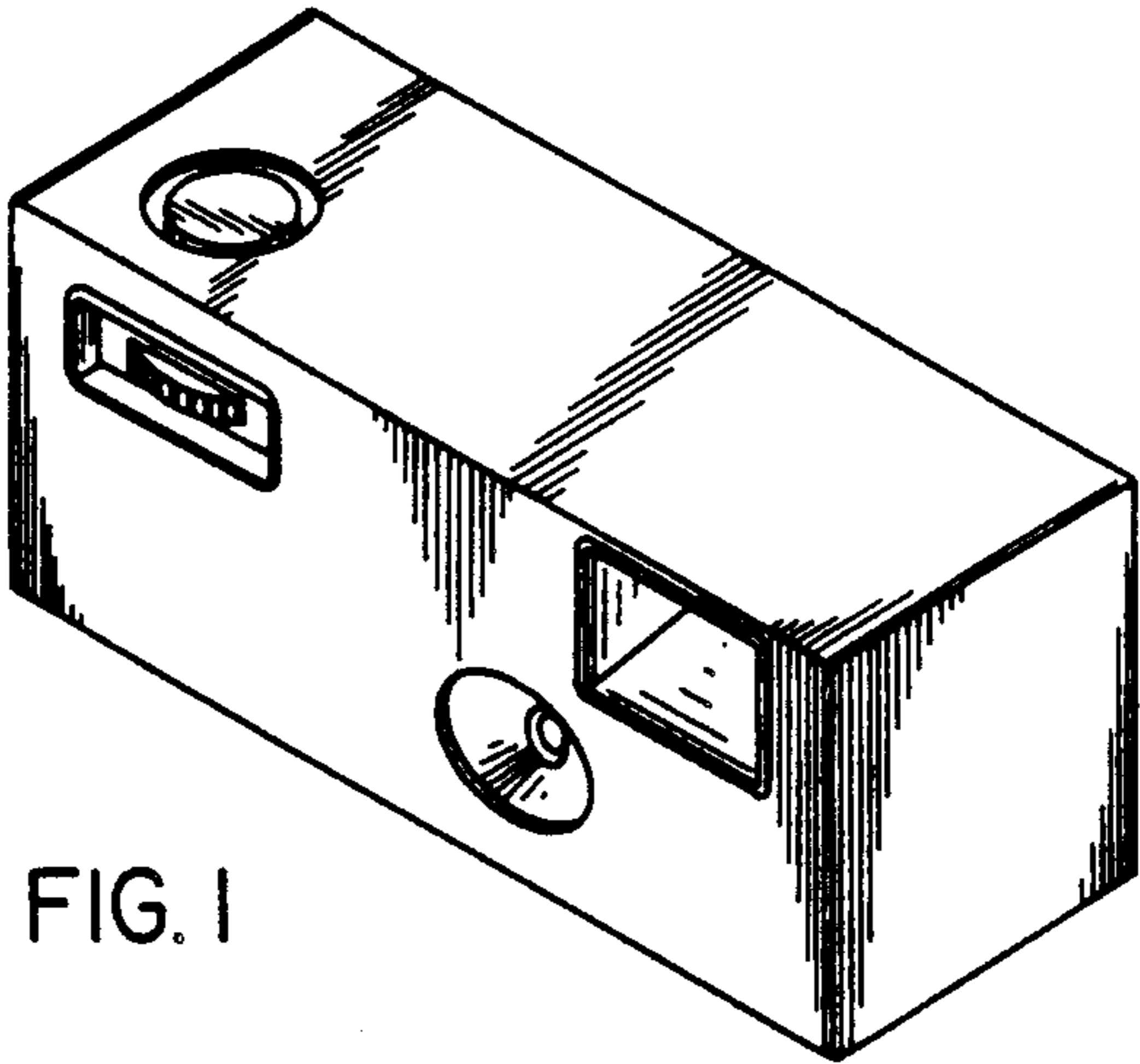


FIG. 1

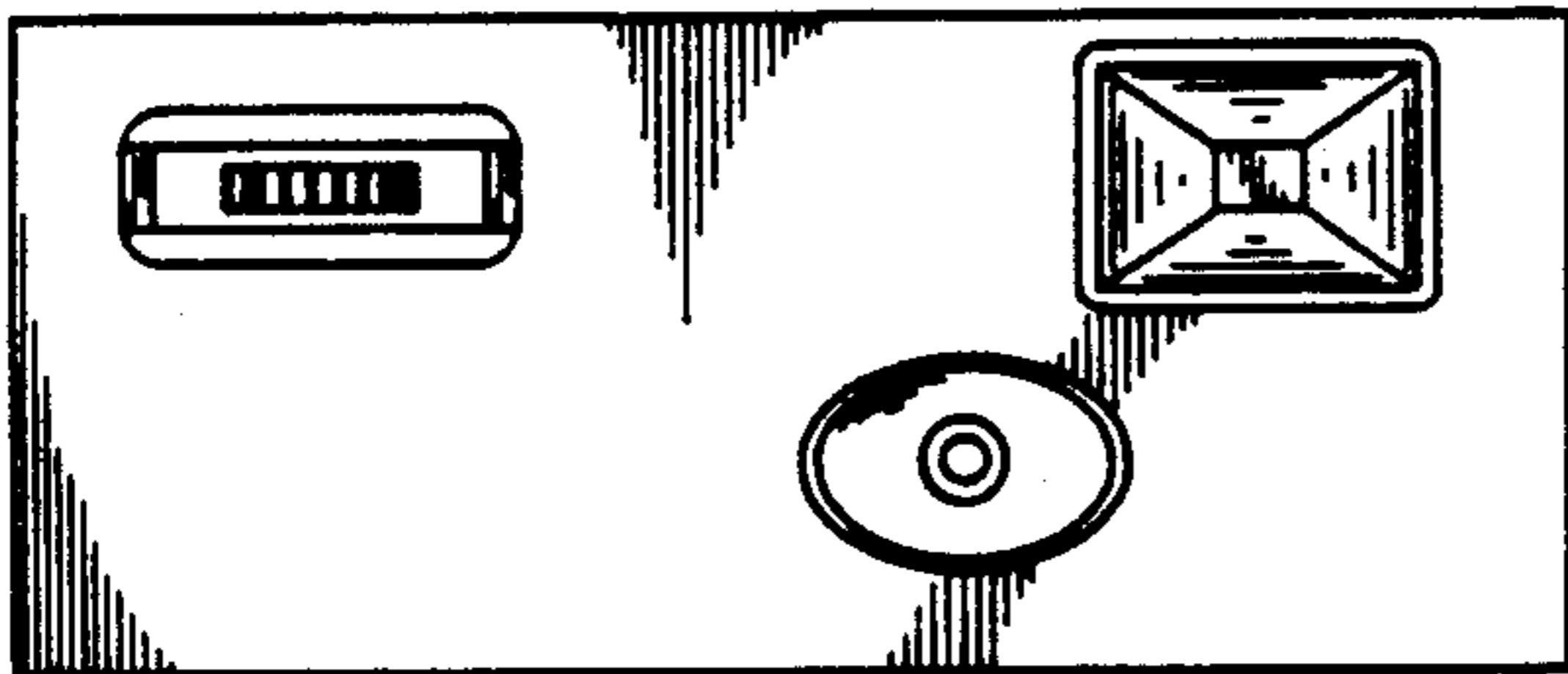


FIG. 2

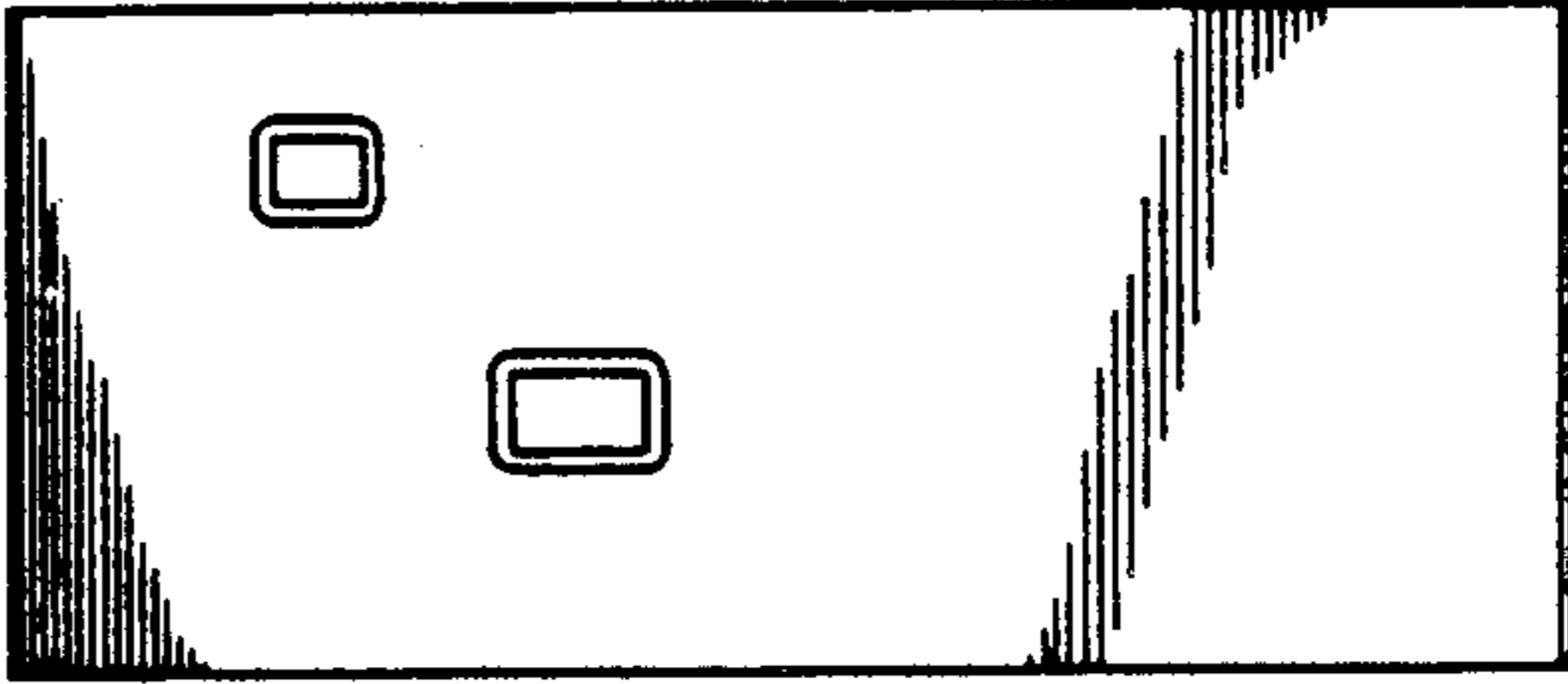


FIG. 3

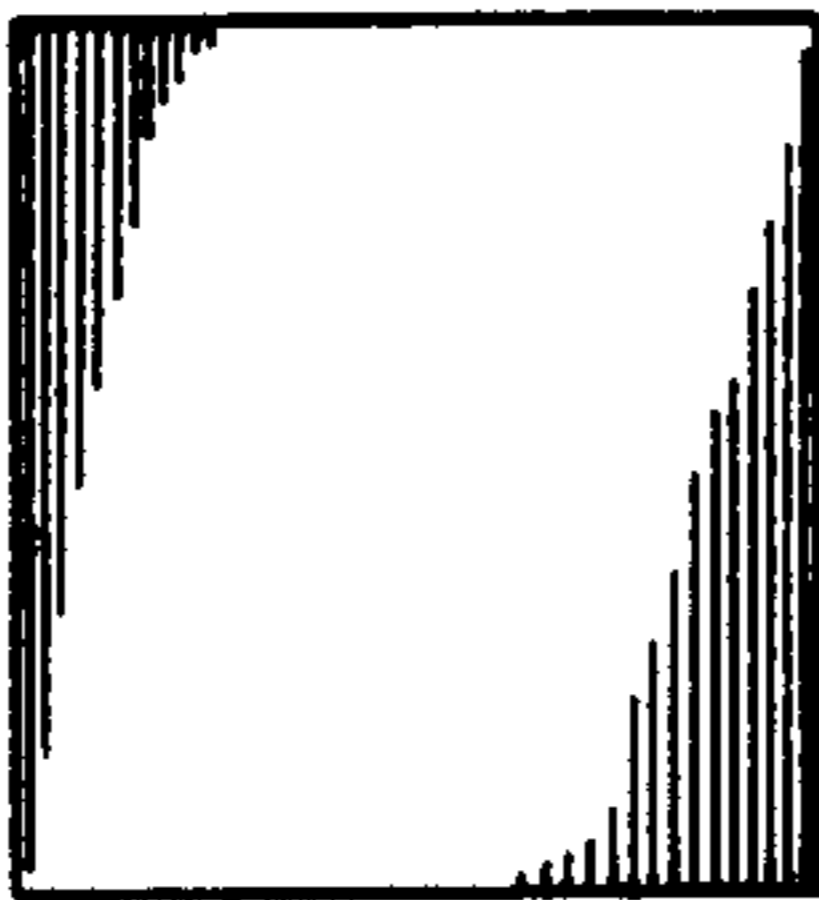


FIG. 4



FIG. 5

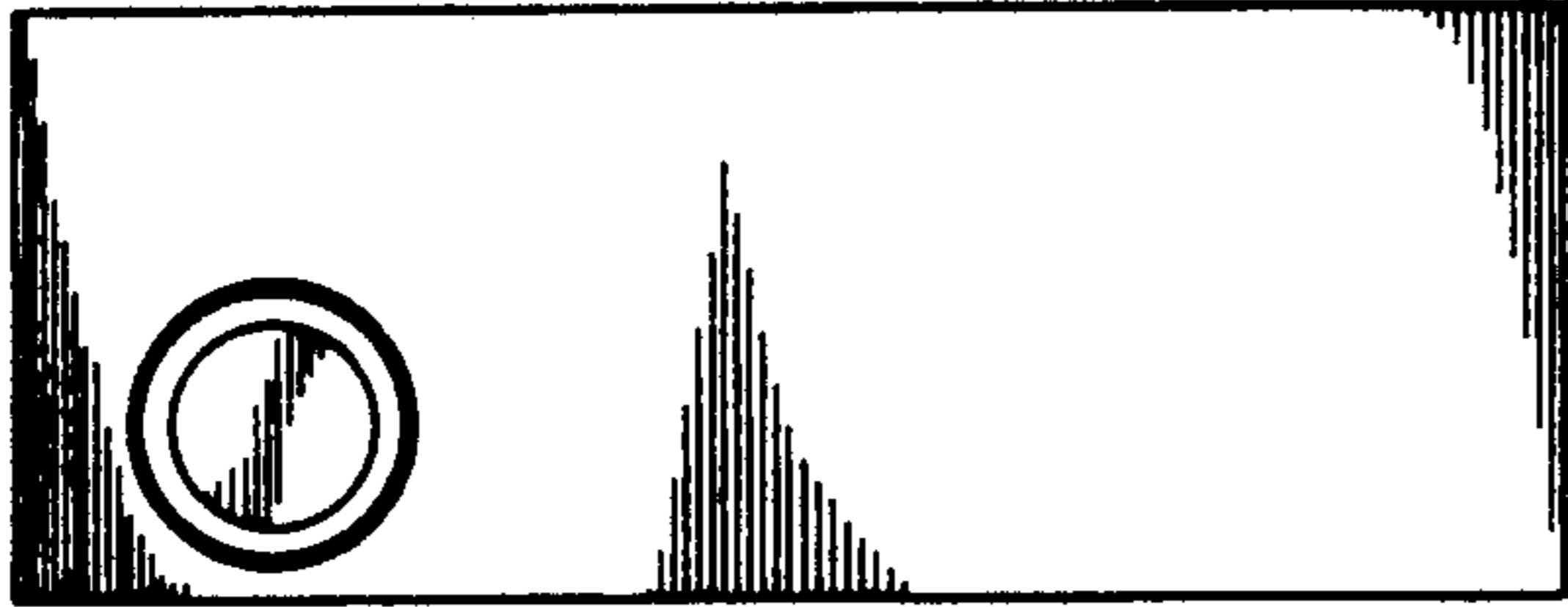


FIG. 6

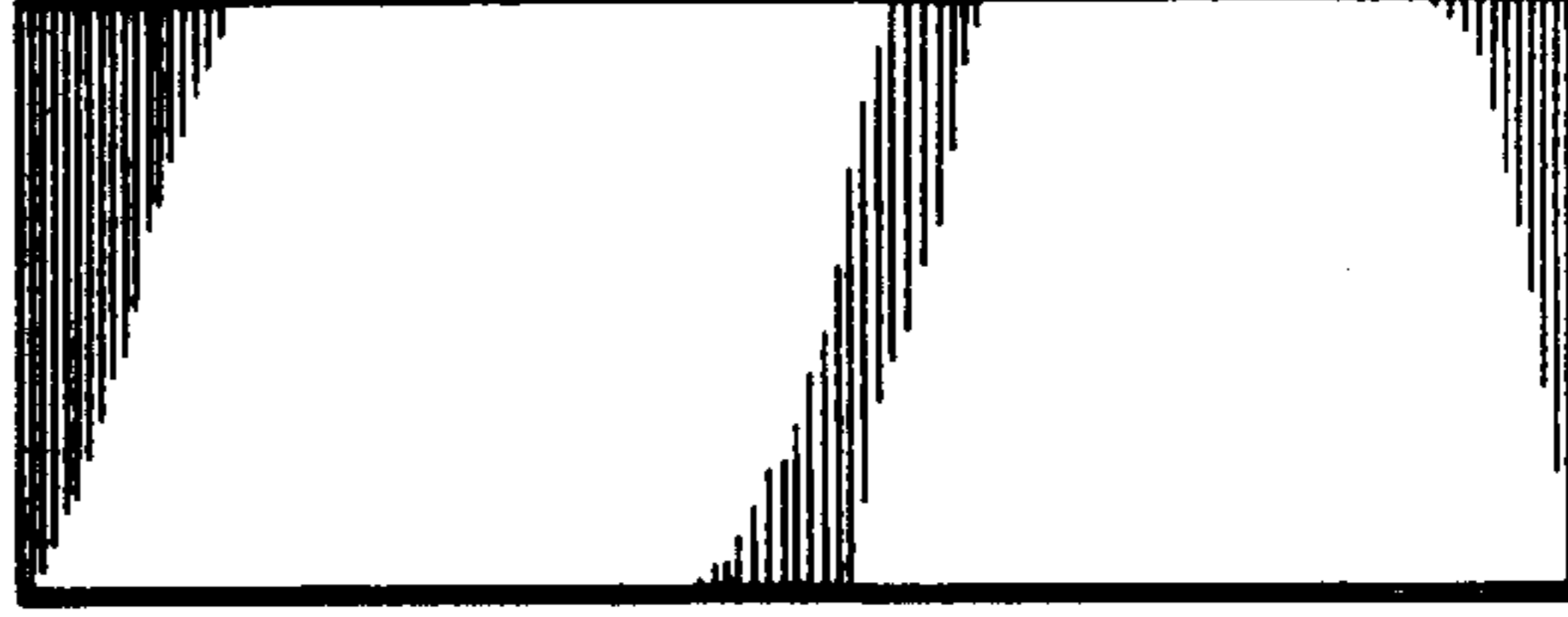


FIG. 7