

United States Patent [19]

Courtois et al.

[11] Patent Number: Des. 315,304

[45] Date of Patent: ** Mar. 12, 1991

[54] CONTAINER

[75] Inventors: Michel Courtois, St. Gratien; Jacques Fillon, Chelles, both of France

[73] Assignee: Cebal, Clichy, France

[**] Term: 14 Years

[21] Appl. No.: 271,850

[22] Filed: Nov. 16, 1988

[30] Foreign Application Priority Data

May 16, 1988 [IB] Int'l Pat. Institute DM/010/948

[52] U.S. Cl. D9/424

[58] Field of Search D9/424, 429, 430, 347, D9/442; D25/32, 108, 119, 124, 129; 206/446; 220/72, DIG. 13, 8, 9.1, 9.2, 9.3, 401, 415, 5 R

[56] References Cited

U.S. PATENT DOCUMENTS

D. 259,811 7/1981 Guy D25/124
D. 267,778 2/1983 Nagata D9/424

D. 276,503 11/1984 Mansau D9/430
1,246,947 11/1917 Schott 220/72 X
2,531,792 11/1950 Smith 206/446
3,451,540 6/1969 Kulischenko D9/424 X
3,828,501 8/1974 Haskins D25/124 X
4,111,328 9/1978 Eggert et al. 220/72 X
4,312,384 1/1982 Becker et al. 206/446 X

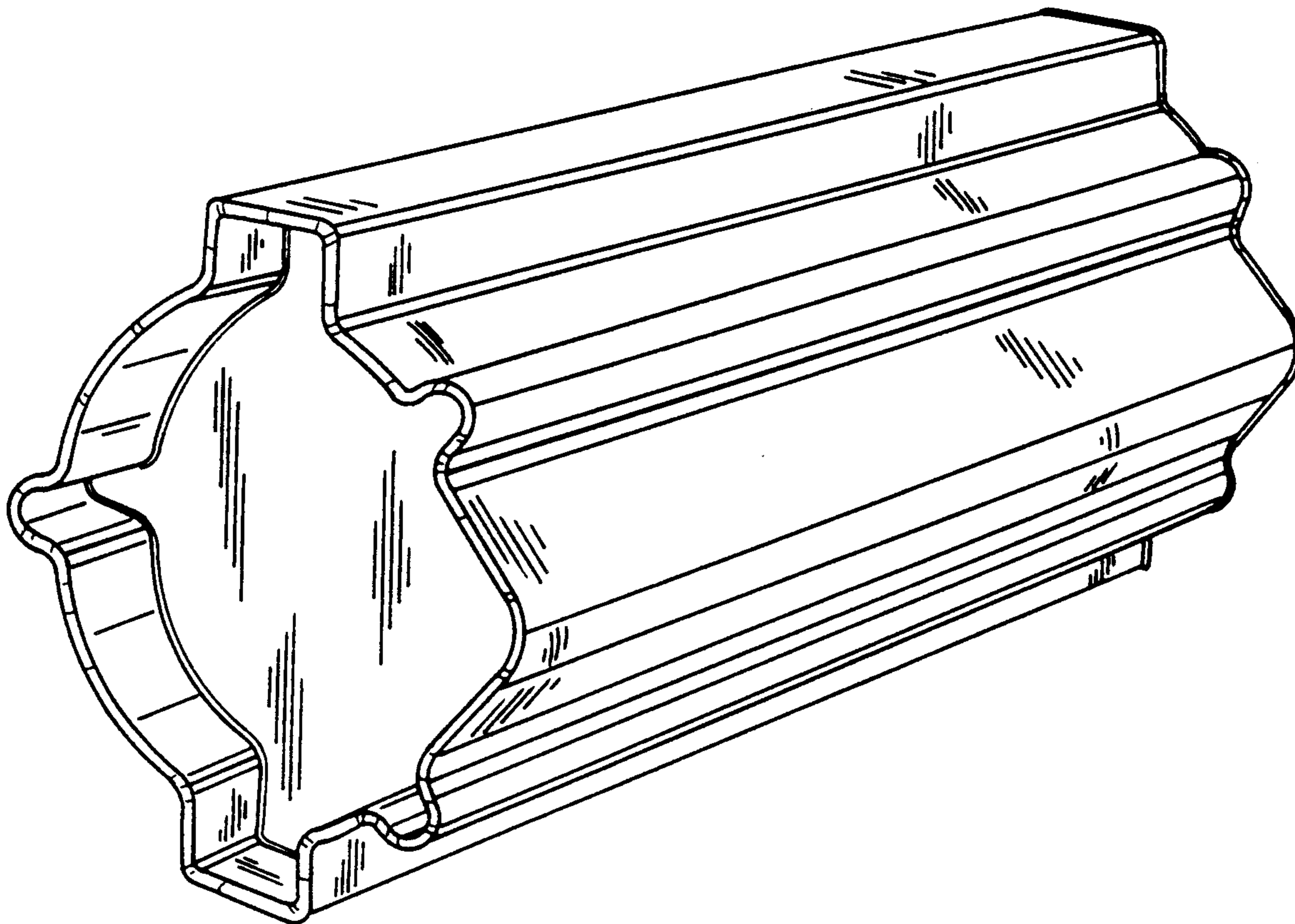
Primary Examiner—Bernard Ansher
Assistant Examiner—Prabhakar Deshmukh

[57] CLAIM

The ornamental design for a container, as shown.

DESCRIPTION

FIG. 1 is a perspective view of a container showing my design;
FIG. 2 is a top plan view thereof;
FIG. 3 is a bottom plan view thereof;
FIG. 4 is a left side elevation thereof;
FIG. 5 is a right side elevation thereof;
FIG. 6 is a rear elevation thereof; and
FIG. 7 is a front elevation thereof.



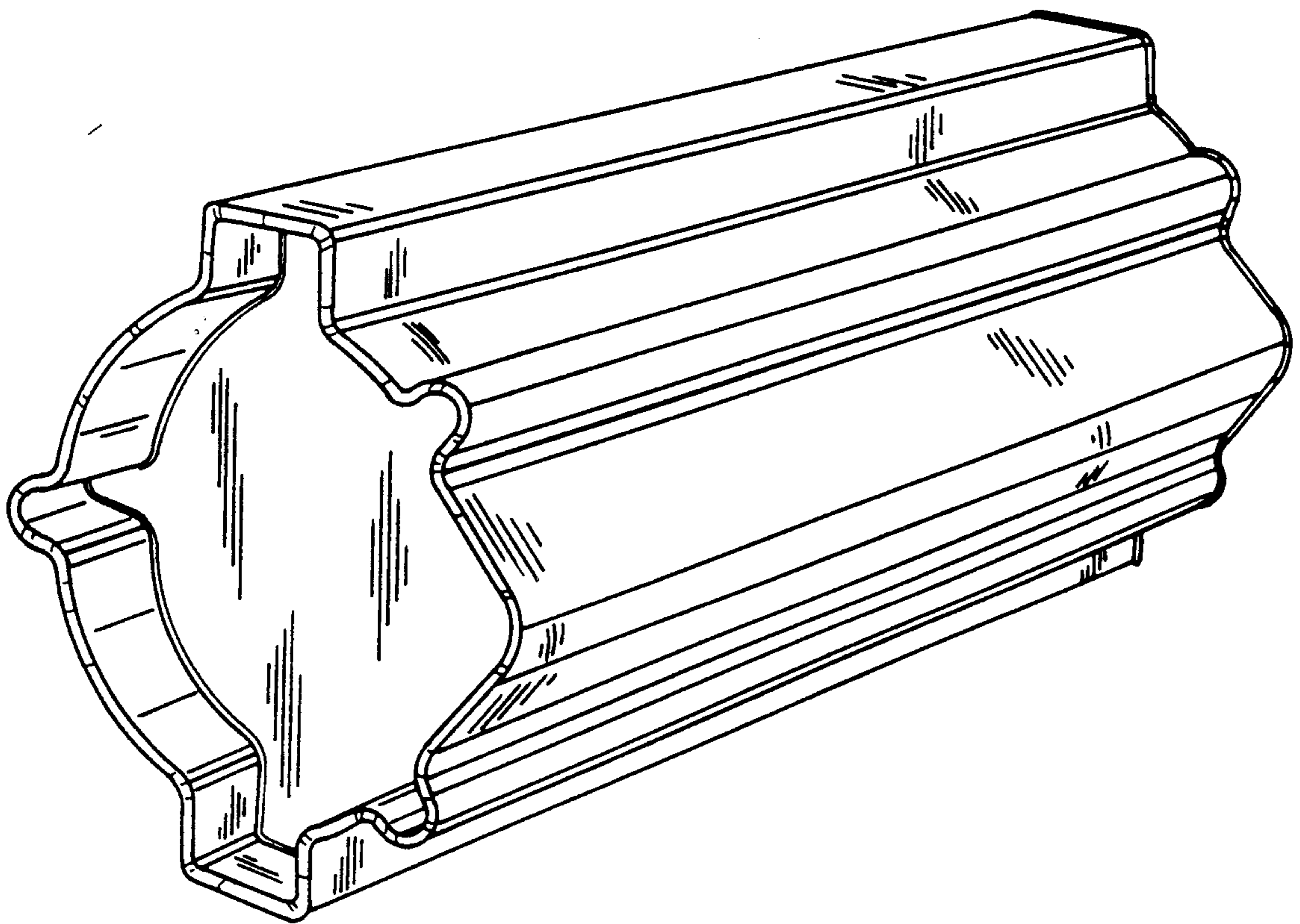


FIG. 1

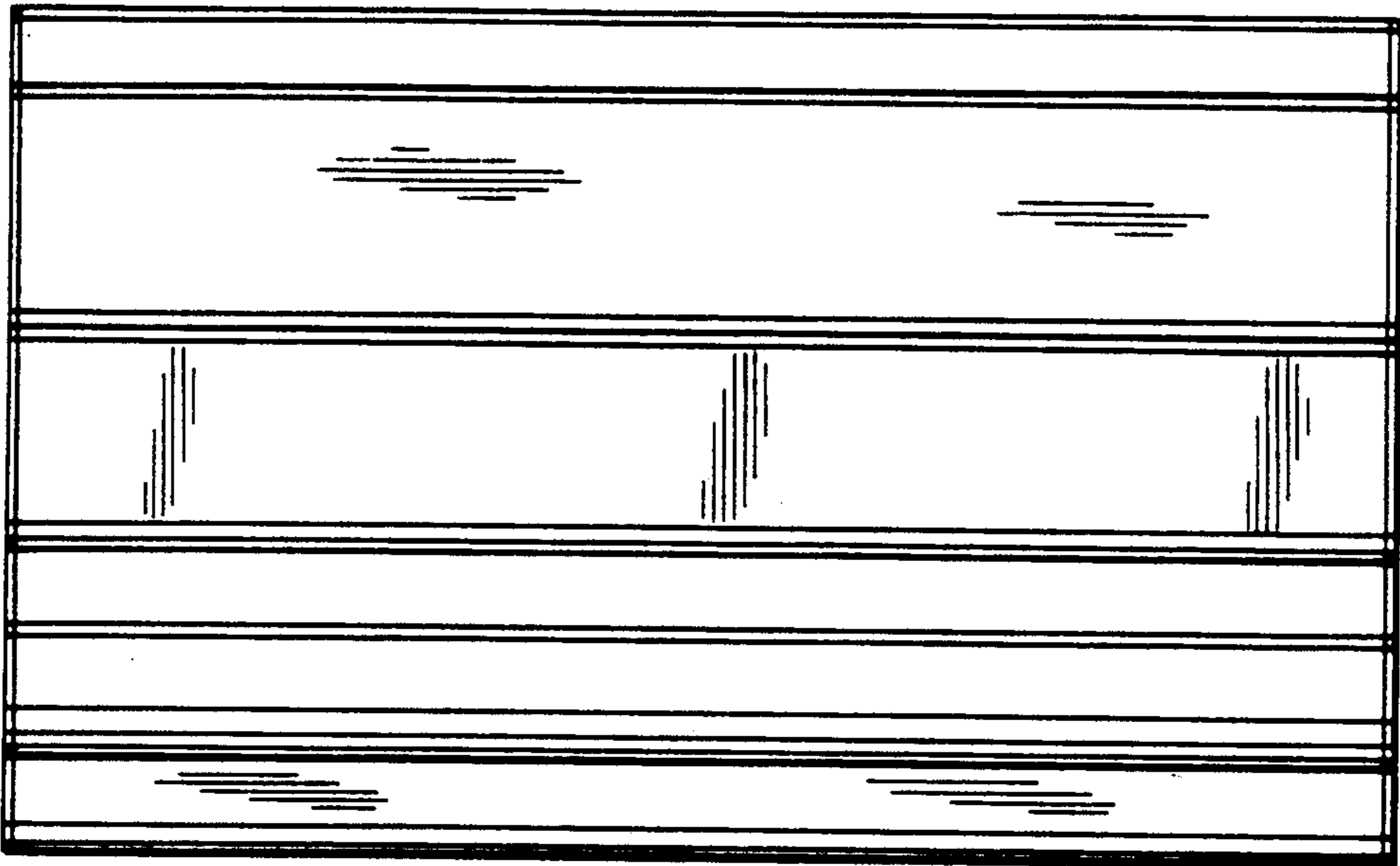


FIG. 2

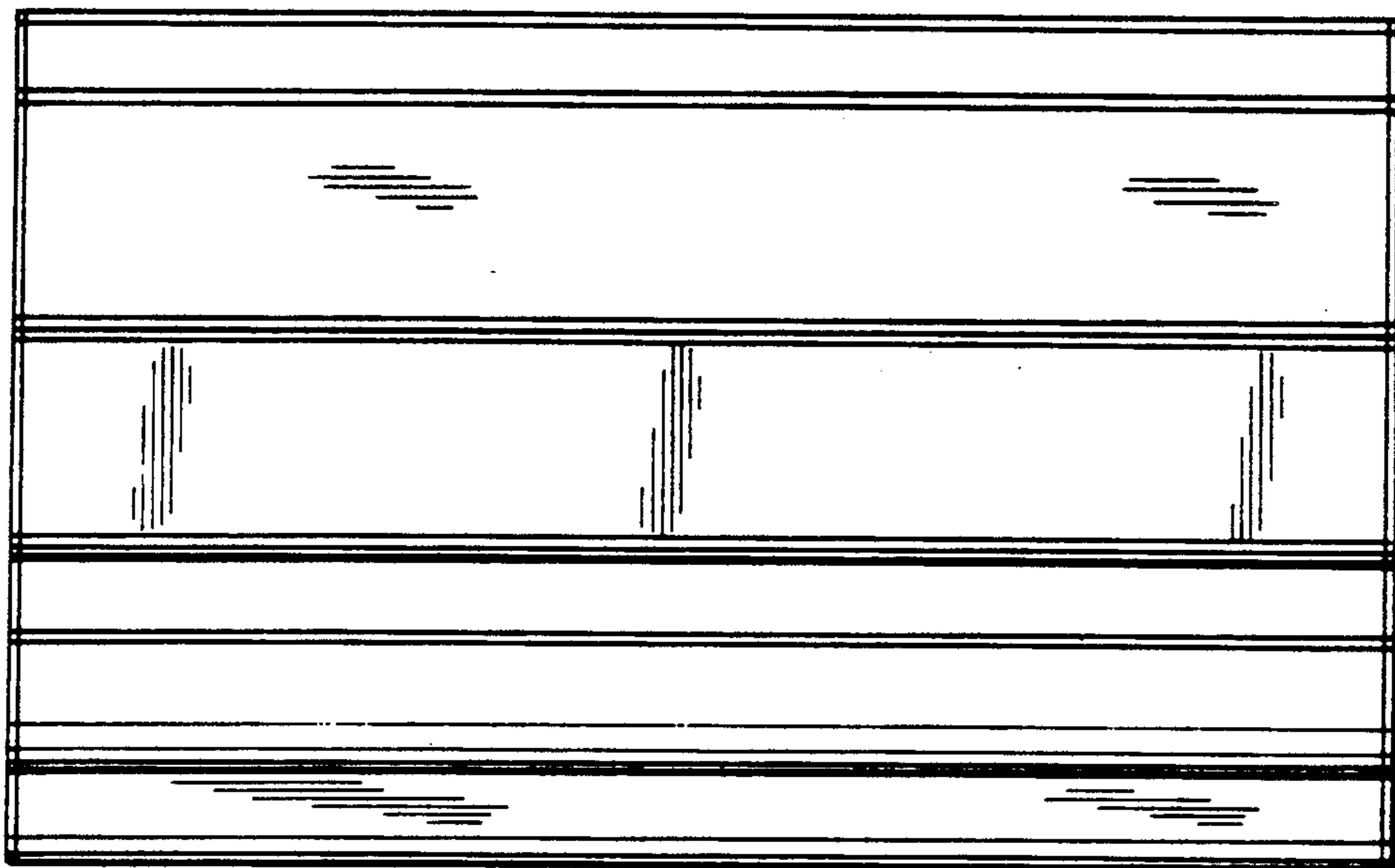


FIG. 3

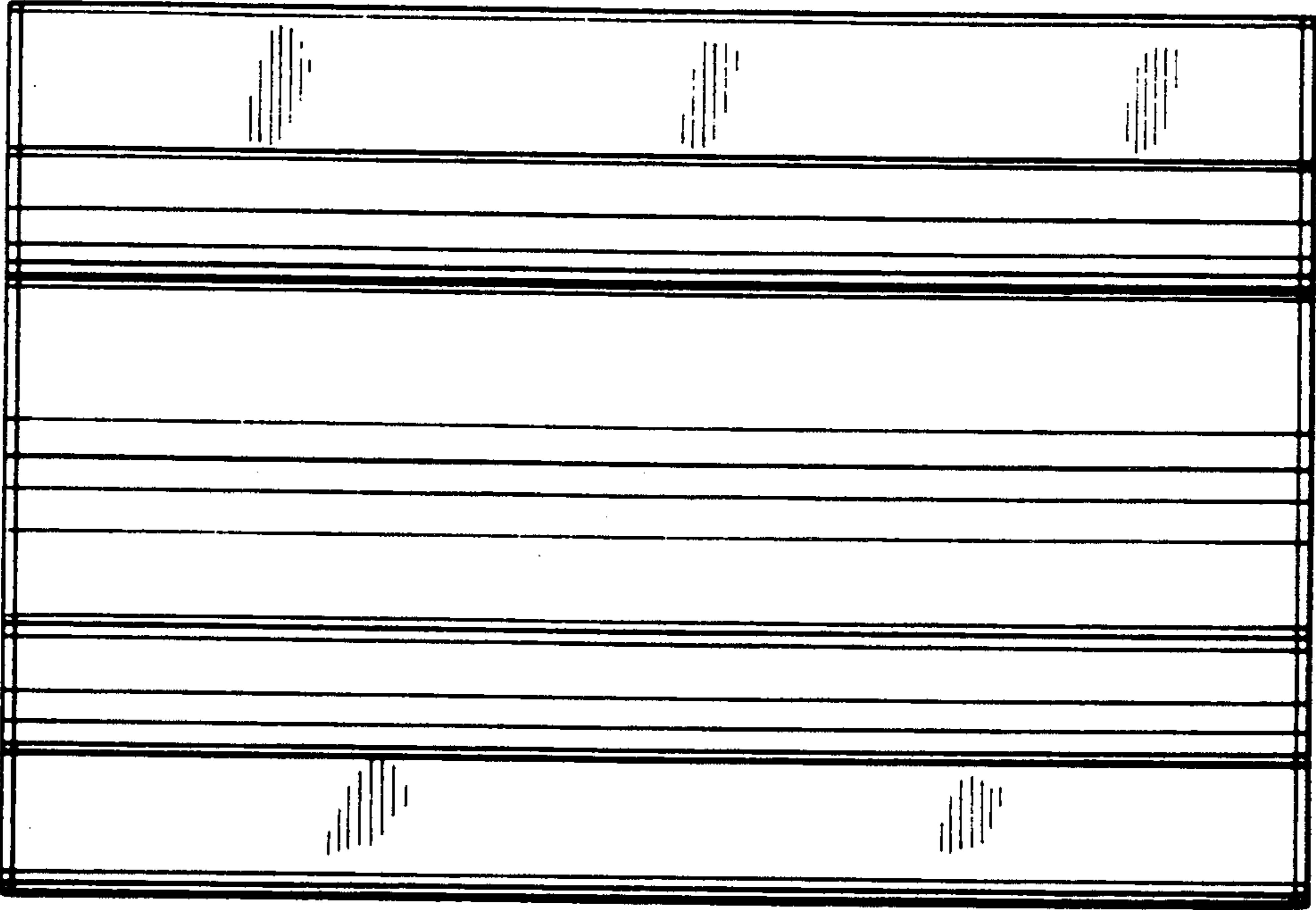


FIG. 4

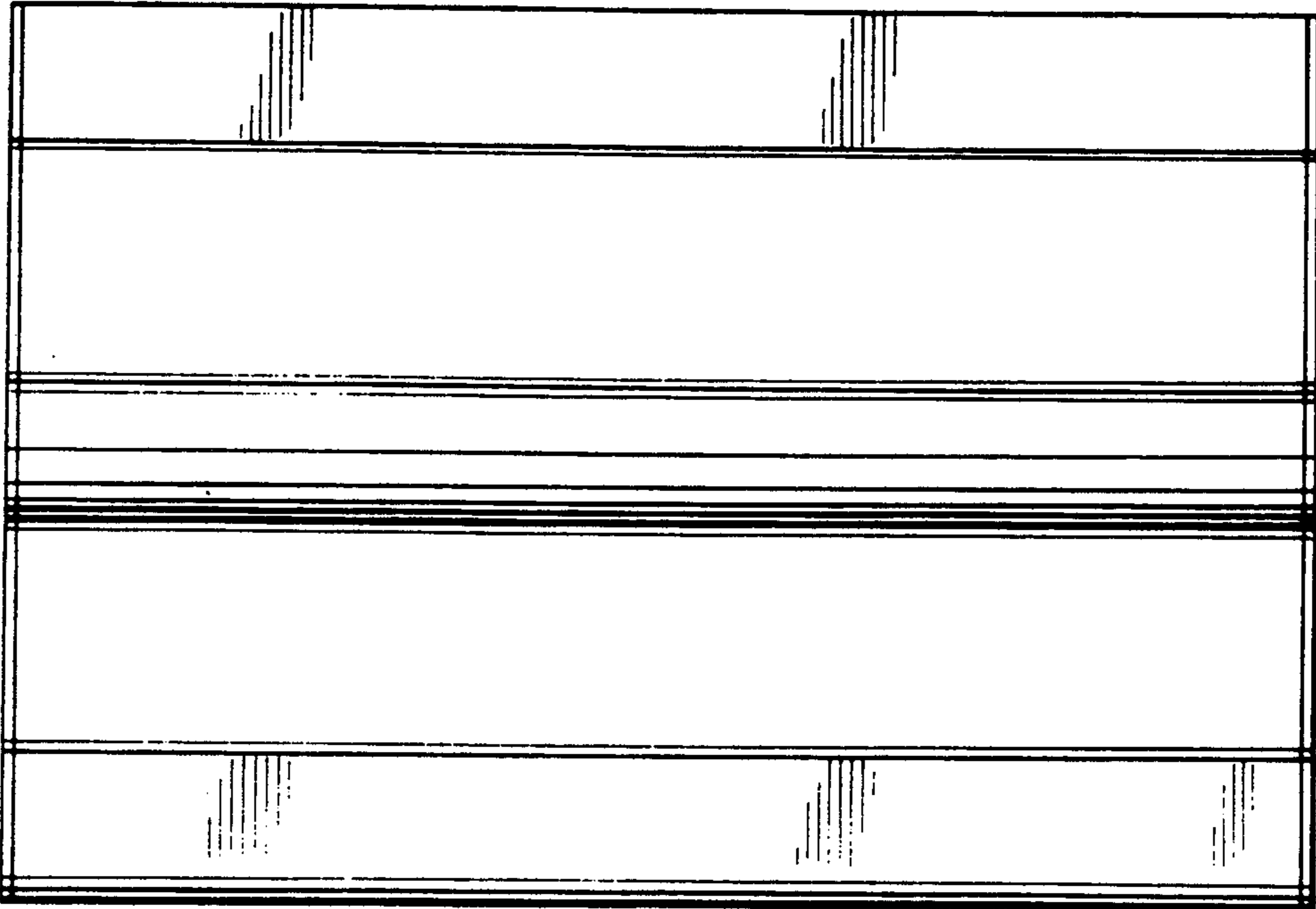


FIG. 5

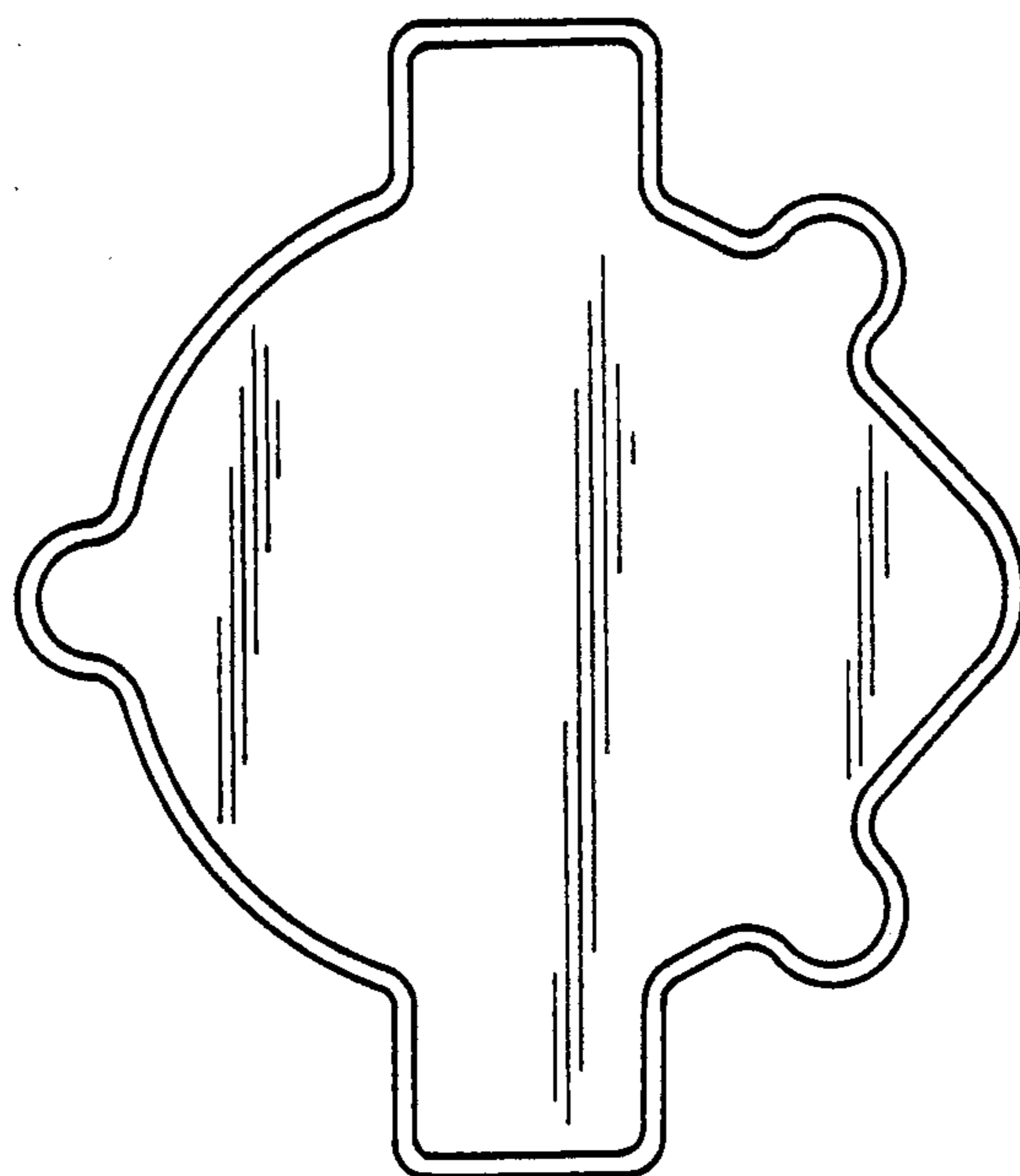


FIG. 6

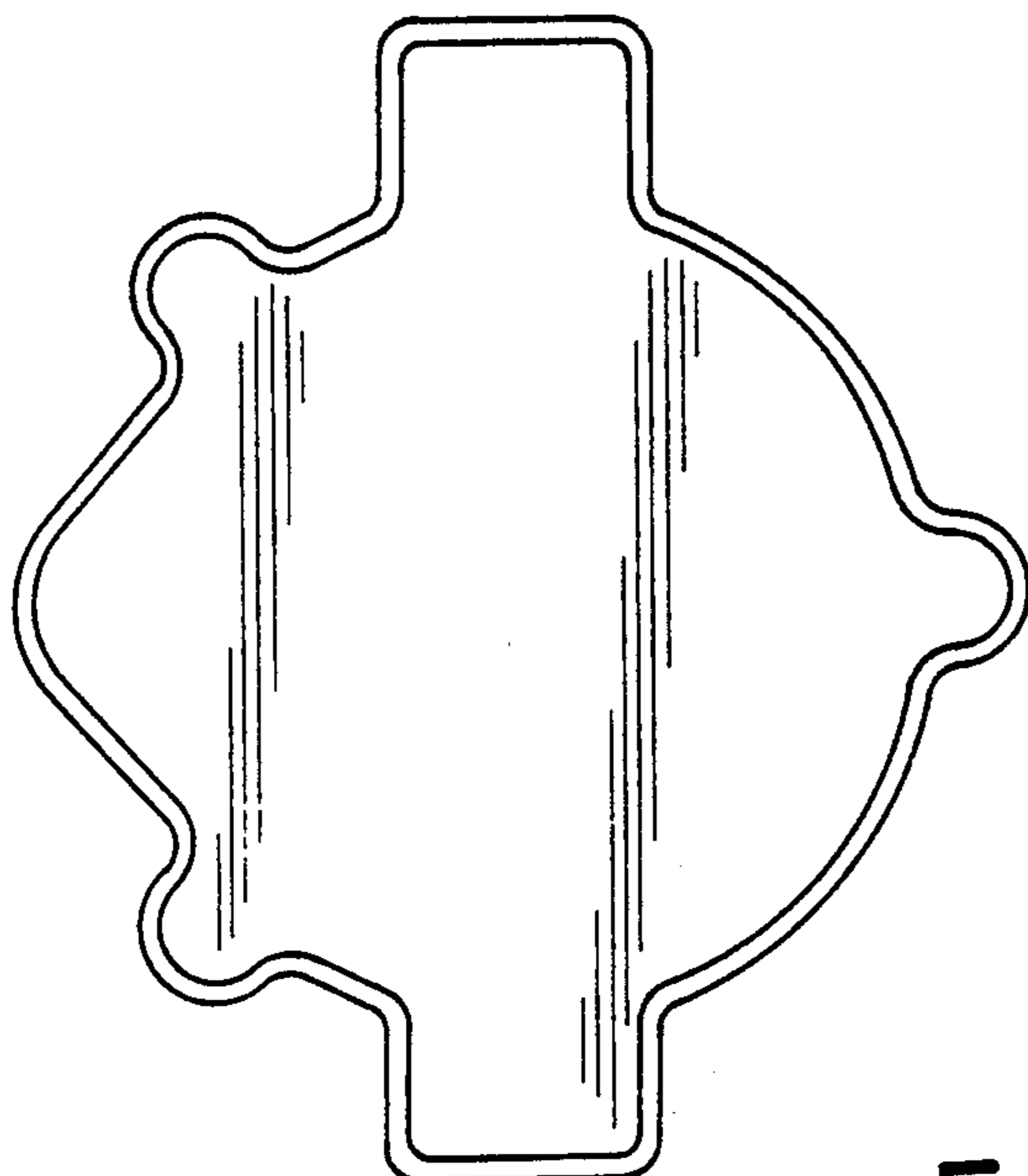


FIG. 7