

**United States Patent** [19]  
**Lang**

[11] **Patent Number: Des. 315,303**

[45] **Date of Patent: \*\* Mar. 12, 1991**

[54] **PEGBOARD BOX**

[76] **Inventor: Frank J. Lang, Lemont Rd., Lemont, Ill. 60439**

[\*\*] **Term: 14 Years**

[21] **Appl. No.: 92,334**

[22] **Filed: Sep. 1, 1987**

[52] **U.S. Cl. .... D9/418**

[58] **Field of Search .... D9/414-433, D9/435, 443, 445, 449; 206/45.2, 45.31, 45.34, 806; 229/125.12, 162, 9; 220/351, 82 R**

[56] **References Cited**

**U.S. PATENT DOCUMENTS**

D. 197,988 4/1964 Slaton ..... D9/432  
804,110 11/1905 Favorite et al. .... 220/351  
2,004,818 6/1935 Lockett ..... 229/106 X  
2,846,130 8/1958 Foote ..... 229/125.12

4,190,191 2/1980 Forbes, Jr. .... 229/125.12  
4,360,148 11/1982 Forbes, Jr. .... 220/351 X  
4,693,414 9/1987 Allen ..... 229/125.12 X

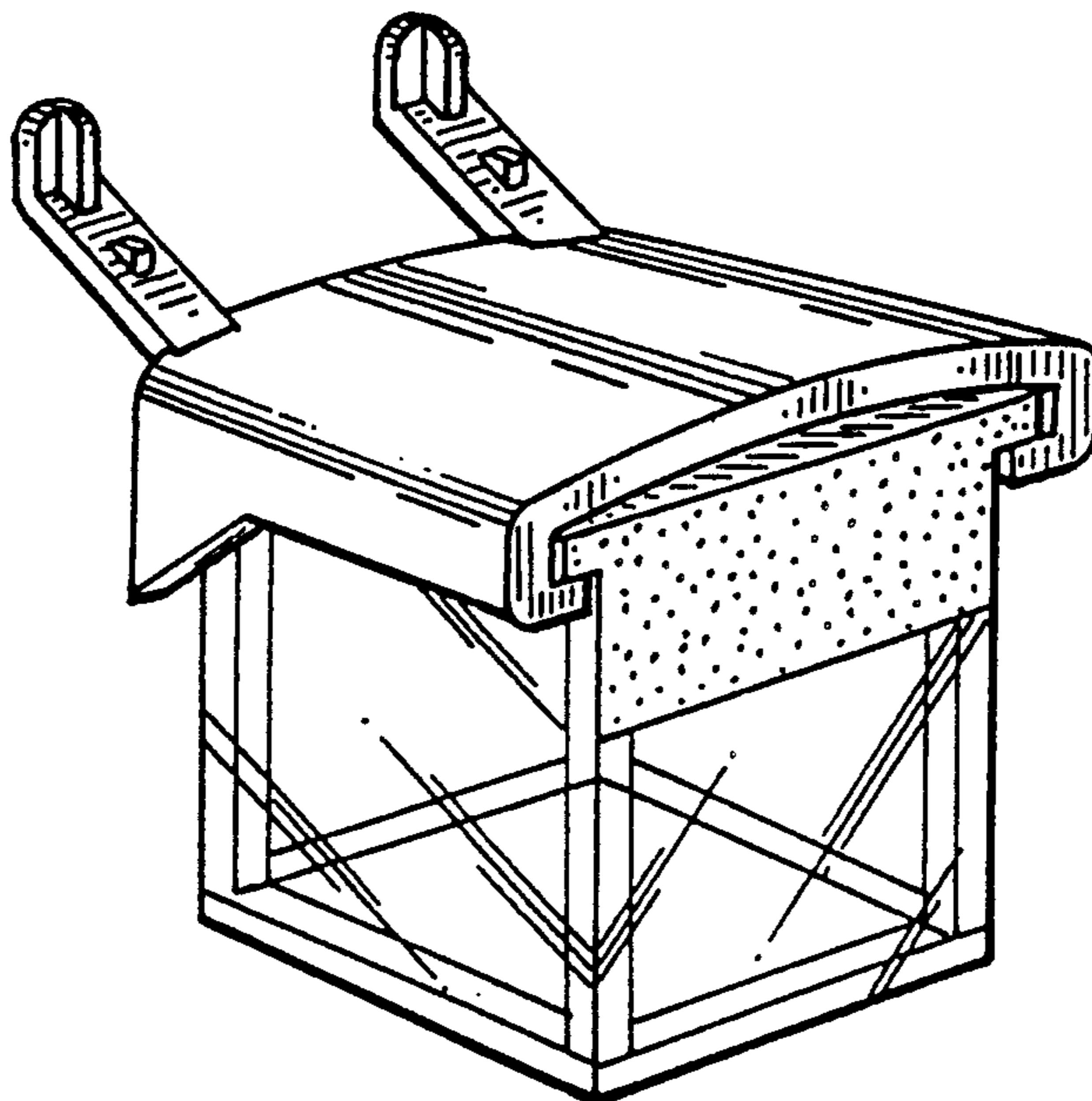
*Primary Examiner*—Bernard Ansher  
*Assistant Examiner*—Prabhakar Deshmukh  
*Attorney, Agent, or Firm*—Francis J. Bouda

[57] **CLAIM**

The ornamental design for a pegboard box, as shown and described.

**DESCRIPTION**

FIG. 1 is a perspective view of a pegboard box showing my new design;  
FIG. 2 is a left side elevation thereof, the right side elevation being a mirror image;  
FIG. 3 is a front elevation thereof;  
FIG. 4 is a rear side elevation thereof;  
FIG. 5 is a top plan view thereof; and  
FIG. 6 is a bottom plan view thereof.



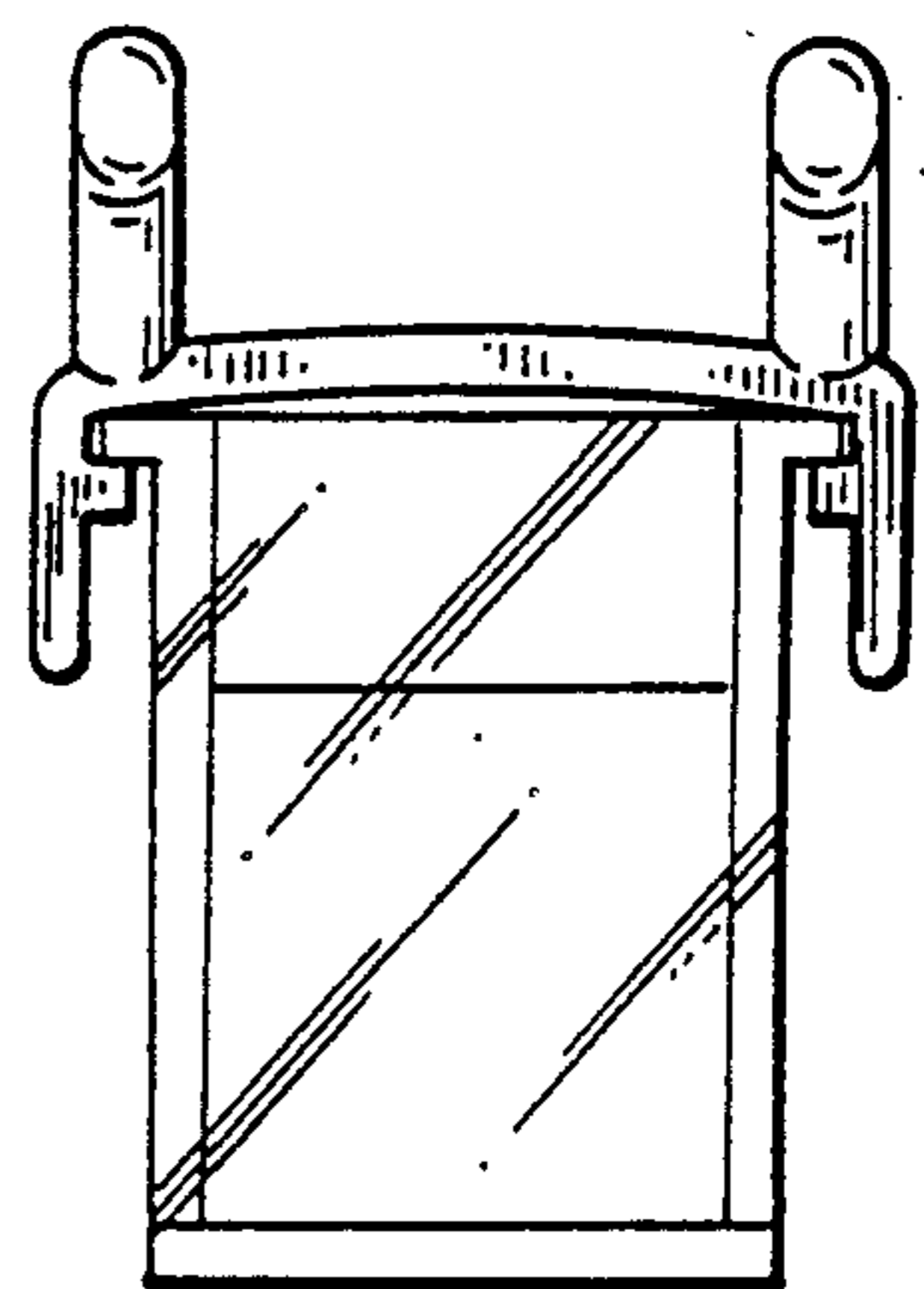
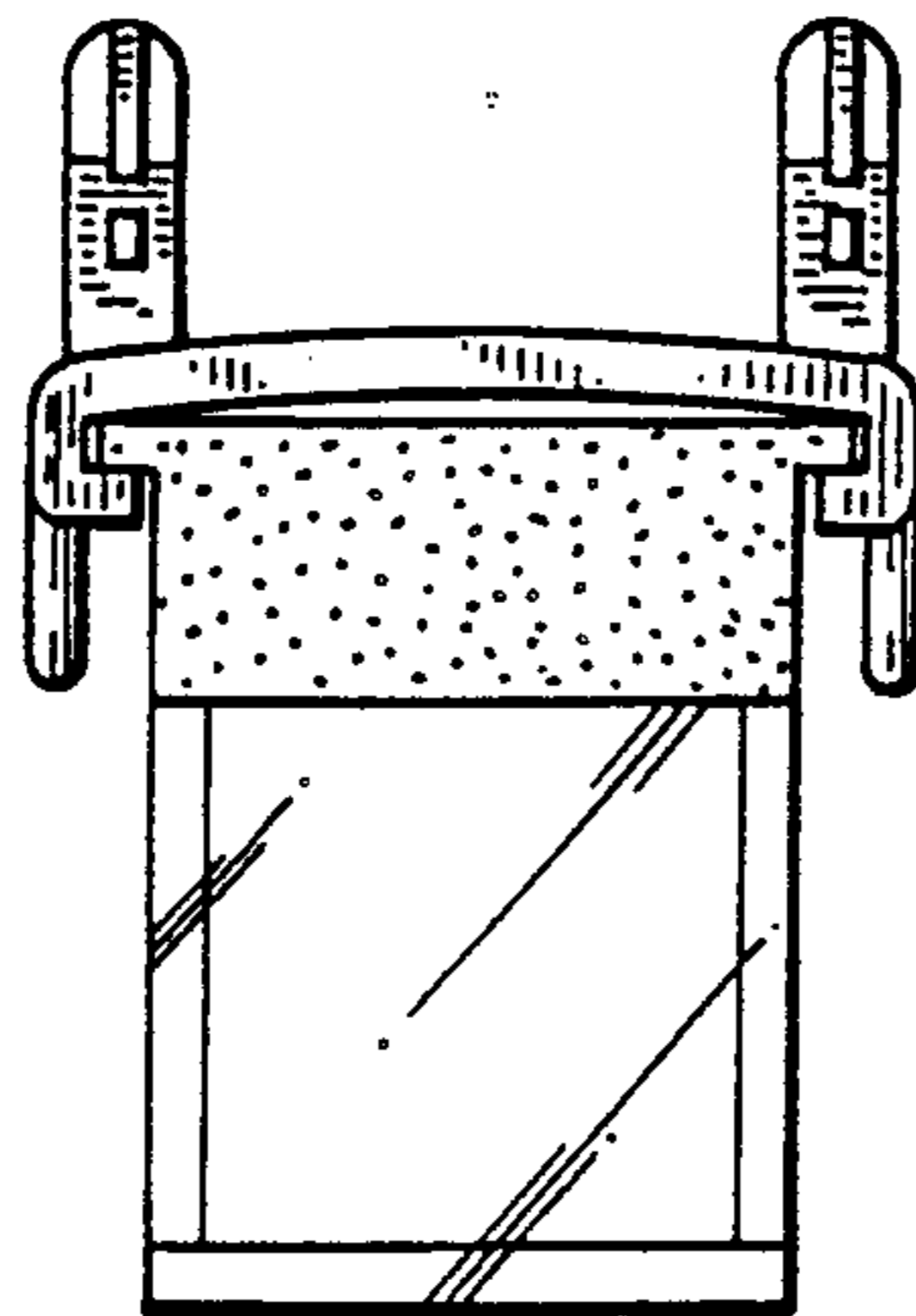
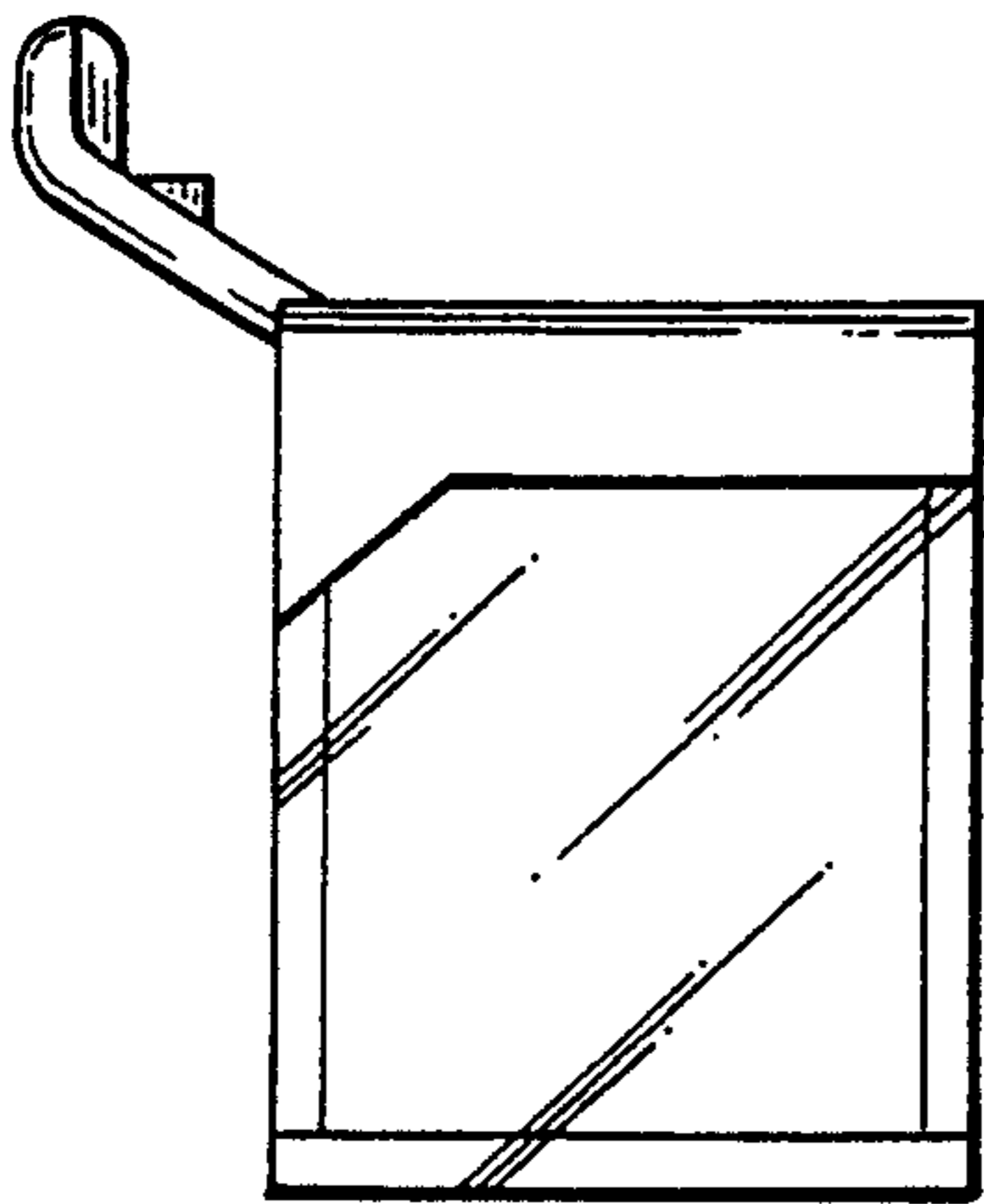
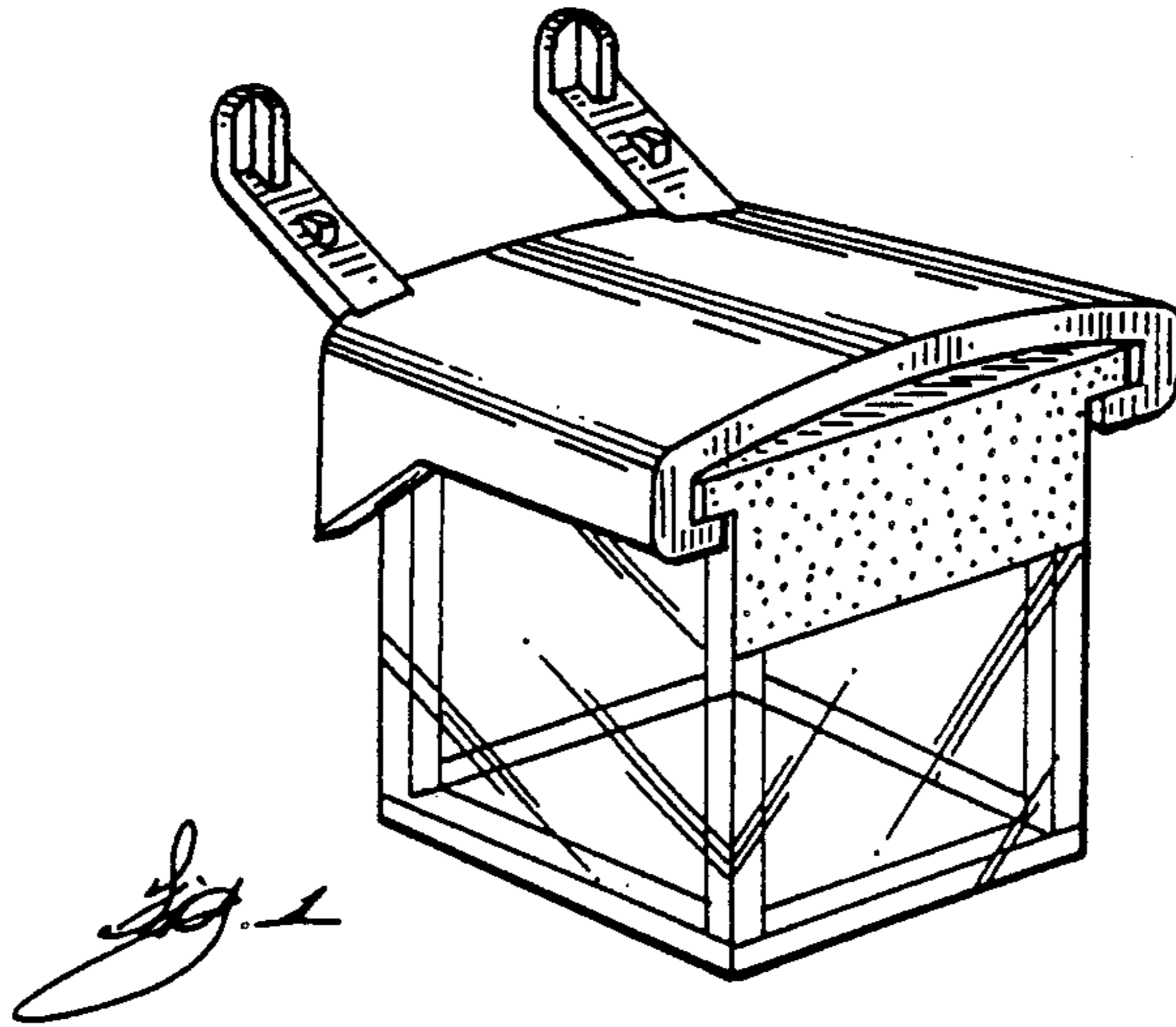


Fig. 2

Fig. 3

Fig. 4

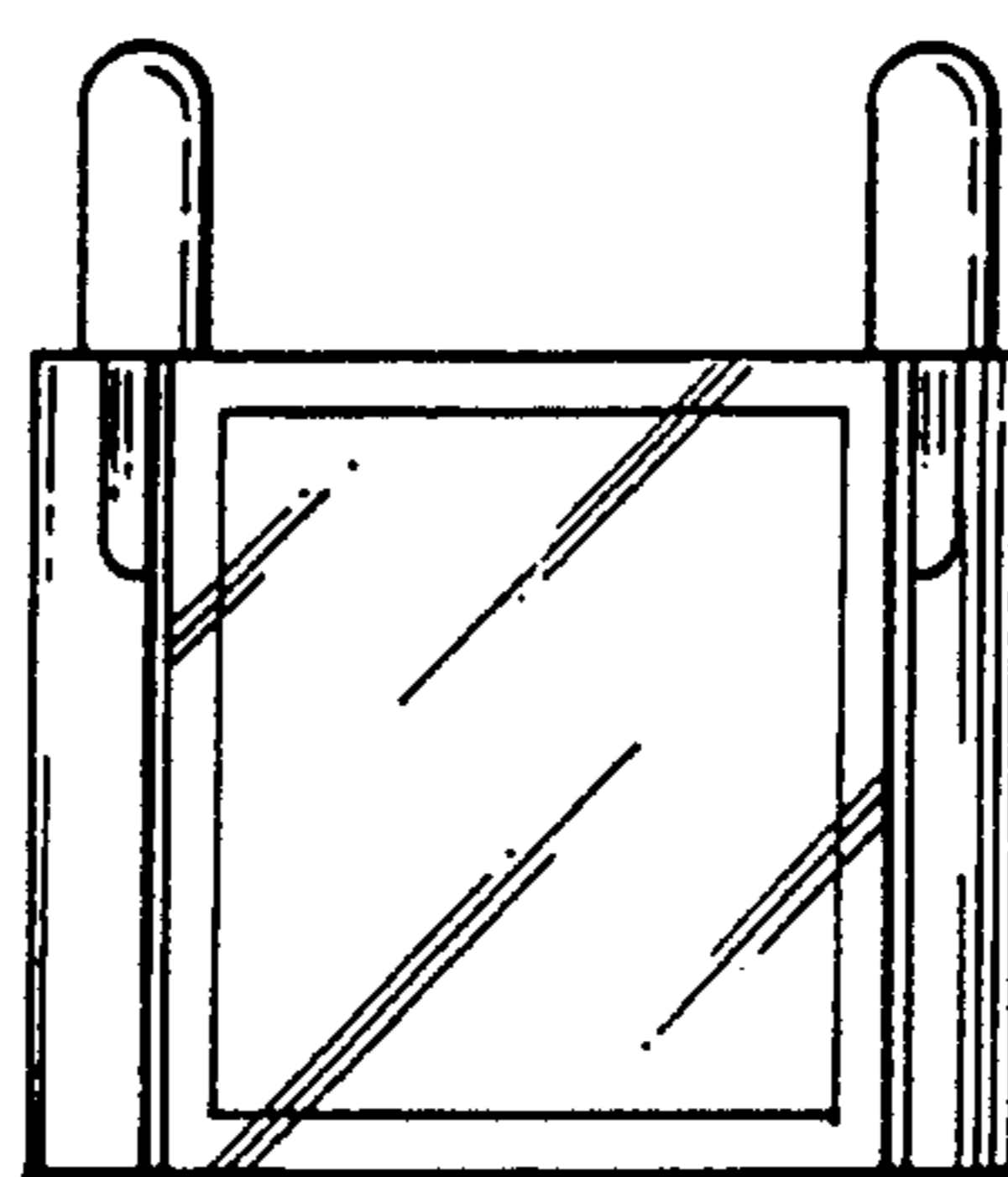
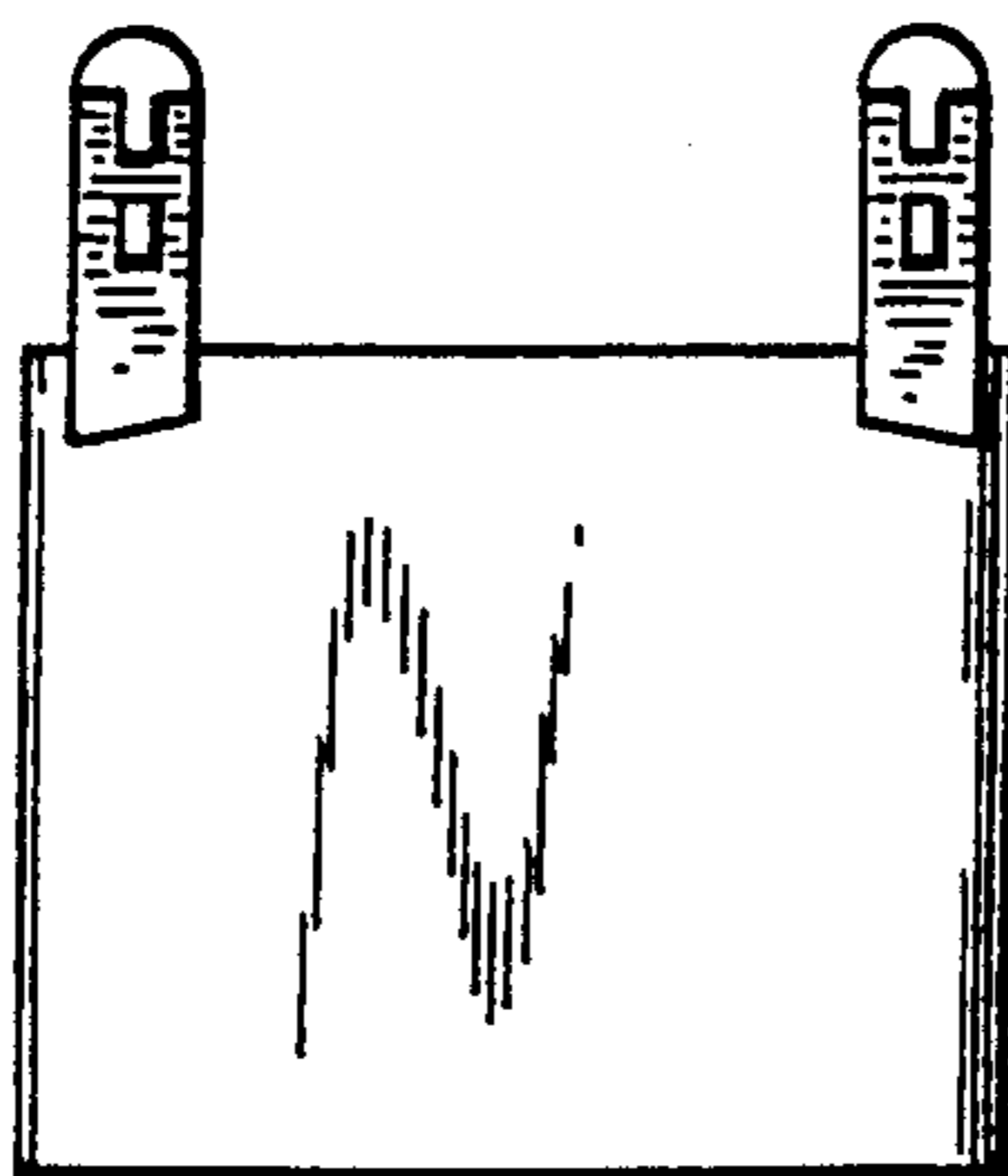


Fig. 5

Fig. 6