

[54] **COMBINED PERFUME BOTTLE AND CLOSURE**

[75] **Inventor:** Pierre Dinand, Levallois-Perret, France

[73] **Assignee:** Diana De Silva Cosmetiques SpA, Italy

[**] **Term:** 14 Years

[21] **Appl. No.:** 259,629

[22] **Filed:** Oct. 18, 1988

[30] **Foreign Application Priority Data**

Apr. 20, 1988 [FR] France 88 2598
[52] **U.S. Cl.** D9/403; D9/384
[58] **Field of Search** D9/403-413,
D9/384, 435; 215/1 R, 1 C

[56] **References Cited**

U.S. PATENT DOCUMENTS

D. 115,162 6/1939 Smith D9/412
D. 200,268 2/1965 Lorenzen D9/403
D. 268,330 3/1983 Aldrich D9/404 X

D. 276,792 12/1984 Mansau D9/403

OTHER PUBLICATIONS

Beauty Fashion, Apr. 1980, p. 97, Macassar Bottle.
Beauty Fashion, Oct. 1985, p. 111, Perry Ellis Cologne For Men Bottle.
Avon Catalog, Campaign 21, 1987, p. 27, Foxfire Bottle Designated "A".

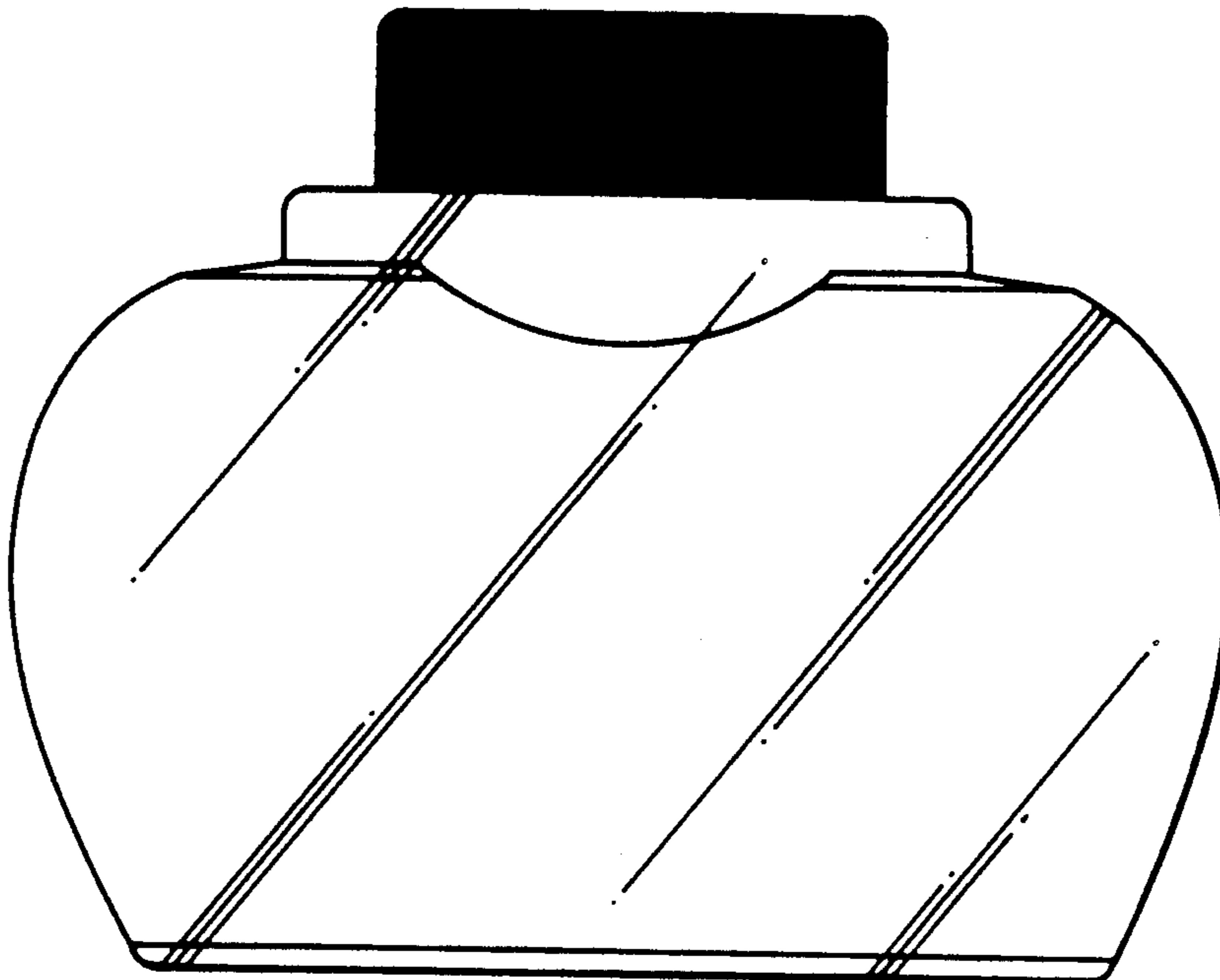
Primary Examiner—Melvin B. Feifer
Assistant Examiner—Lucy Lieberman
Attorney, Agent, or Firm—Jacobs & Jacobs

[57] **CLAIM**

The ornamental design for a combined perfume bottle and closure, as shown and described.

DESCRIPTION

FIG. 1 is a front elevational view of a combined perfume bottle and closure showing my new design, the rear view being identical thereto;
FIG. 2 is a right side elevational view thereof, the left side elevational view being identical thereto;
FIG. 3 is a top plan view thereof; and
FIG. 4 is a bottom plan view thereof.



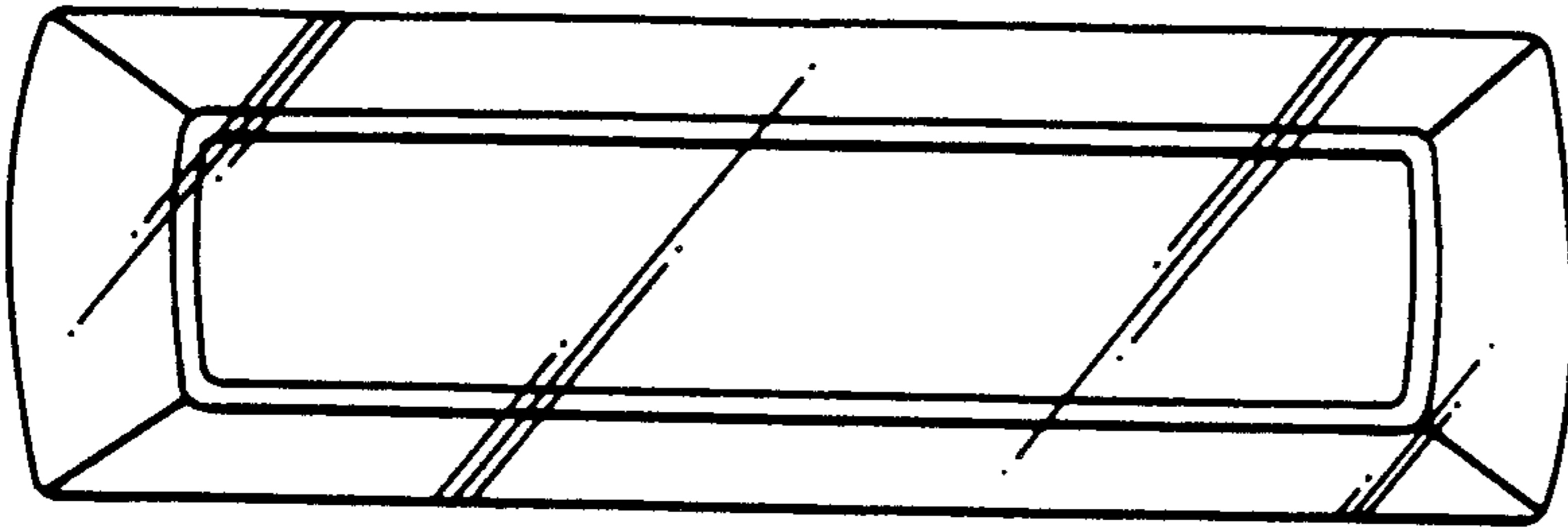


FIG. 4

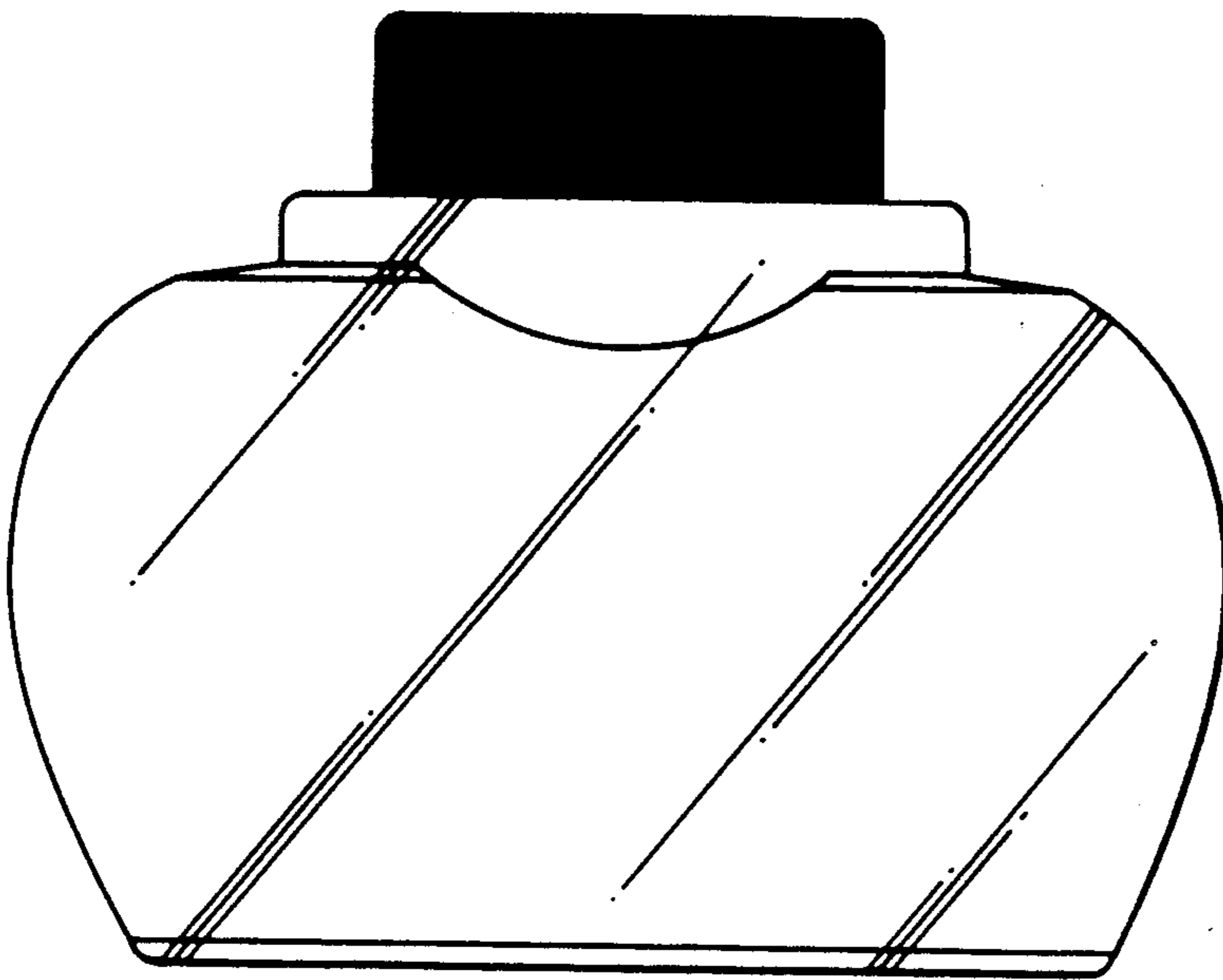


FIG. 1

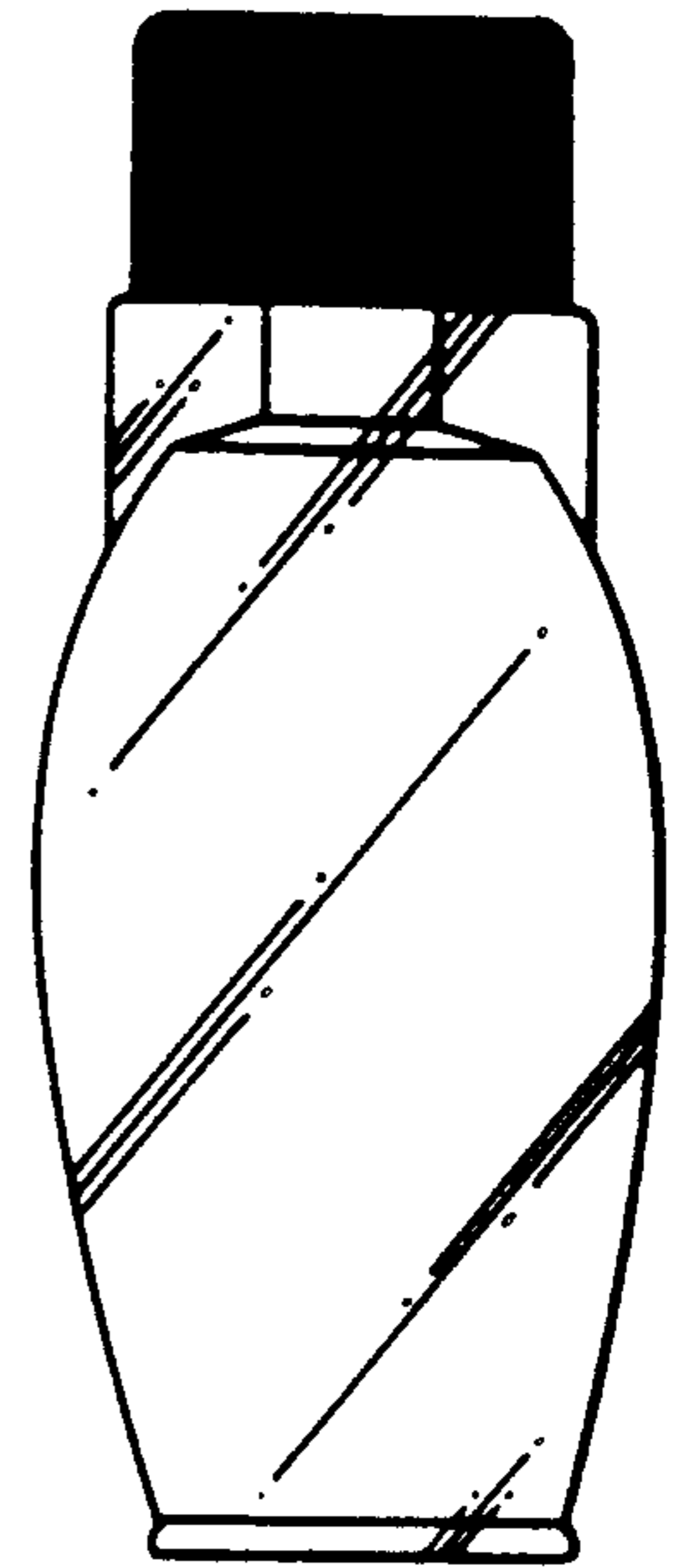


FIG. 2

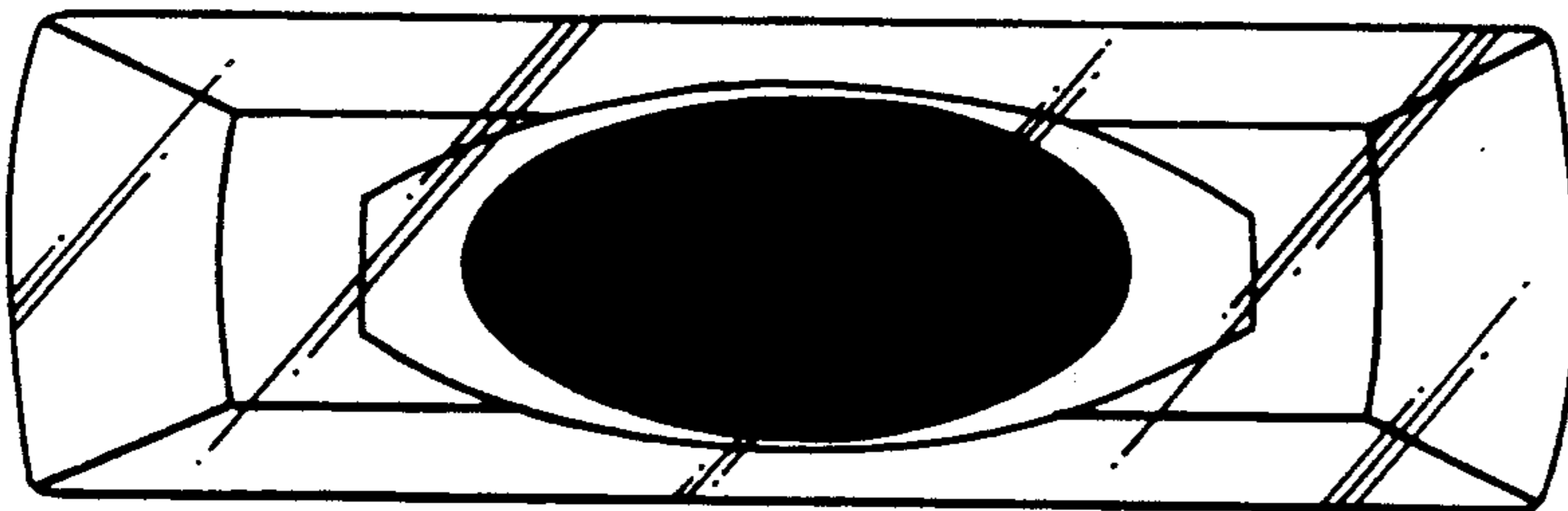


FIG. 3