

[54] **LOCKABLE STRAP FOR THEFT PREVENTION**
[76] **Inventor: Jean M. Lambert, C.P. 415, Lavaltrie, Quebec, Canada, J0K 1H0**
[**] **Term: 14 Years**
[21] **Appl. No.: 268,527**
[22] **Filed: Nov. 8, 1988**
[52] **U.S. Cl. D8/333**
[58] **Field of Search D8/330-331, D8/333-335; 70/14-16, 18, 30, 49; 150/101**

1,454,546 5/1923 Landis 70/15
1,711,082 4/1928 Brite 70/14 X

Primary Examiner—Wallace R. Burke
Assistant Examiner—Brian N. Vinson
Attorney, Agent, or Firm—Jerry T. Kearns

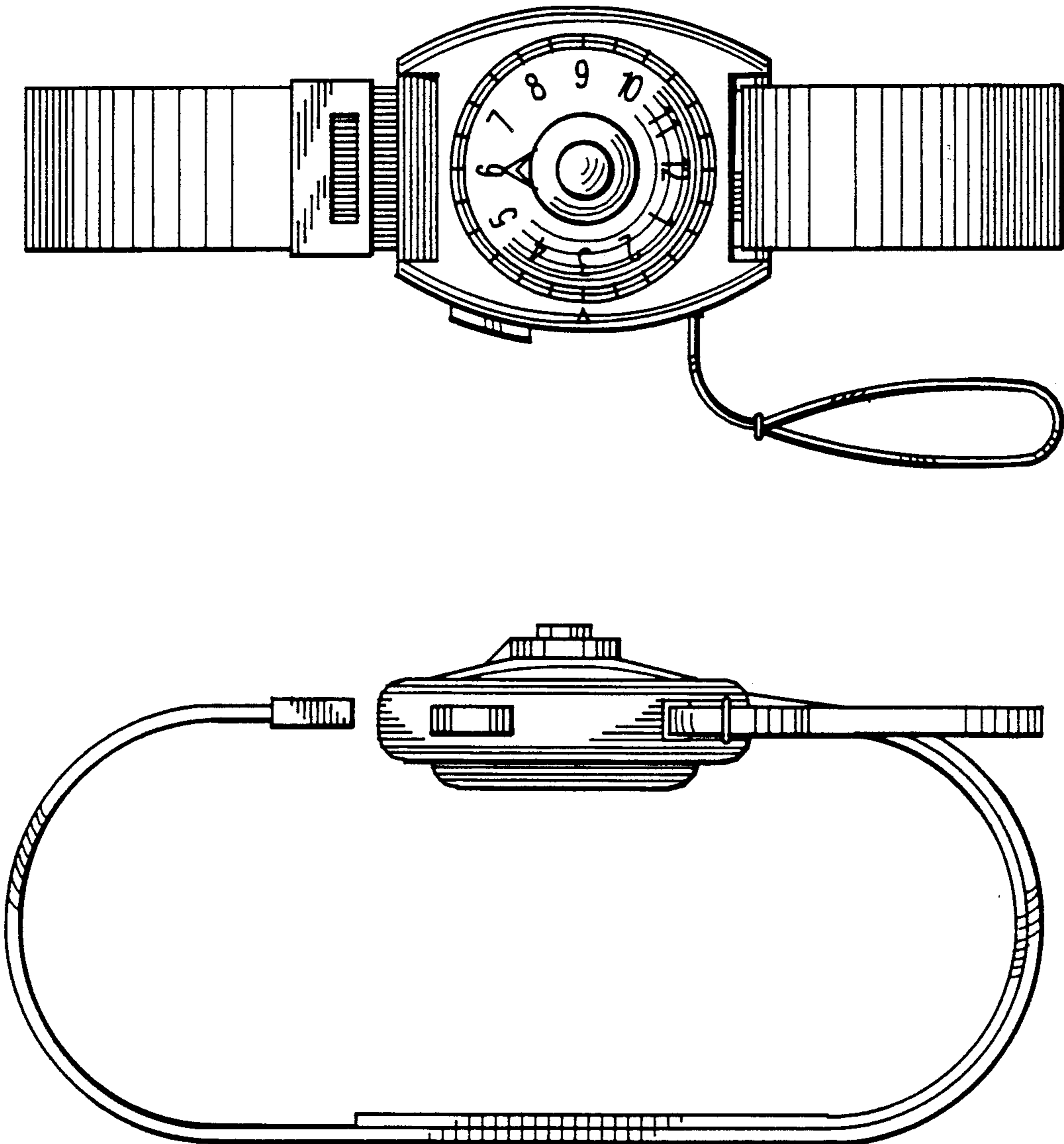
[57] **CLAIM**

The ornamental design for a lockable strap for theft prevention, as shown and described.

DESCRIPTION

FIG. 1 is a front elevational view of a lockable strap for theft prevention showing my new design;
FIG. 2 is a rear elevational view thereof;
FIG. 3 is a left side elevational view thereof;
FIG. 4 is a right side elevational view thereof;
FIG. 5 is a top plan view thereof; and,
FIG. 6 is a bottom plan view thereof.

[56] **References Cited**
U.S. PATENT DOCUMENTS
D. 29,413 9/1898 Tyden D8/333 X
D. 236,581 9/1975 Reisner D8/333 X



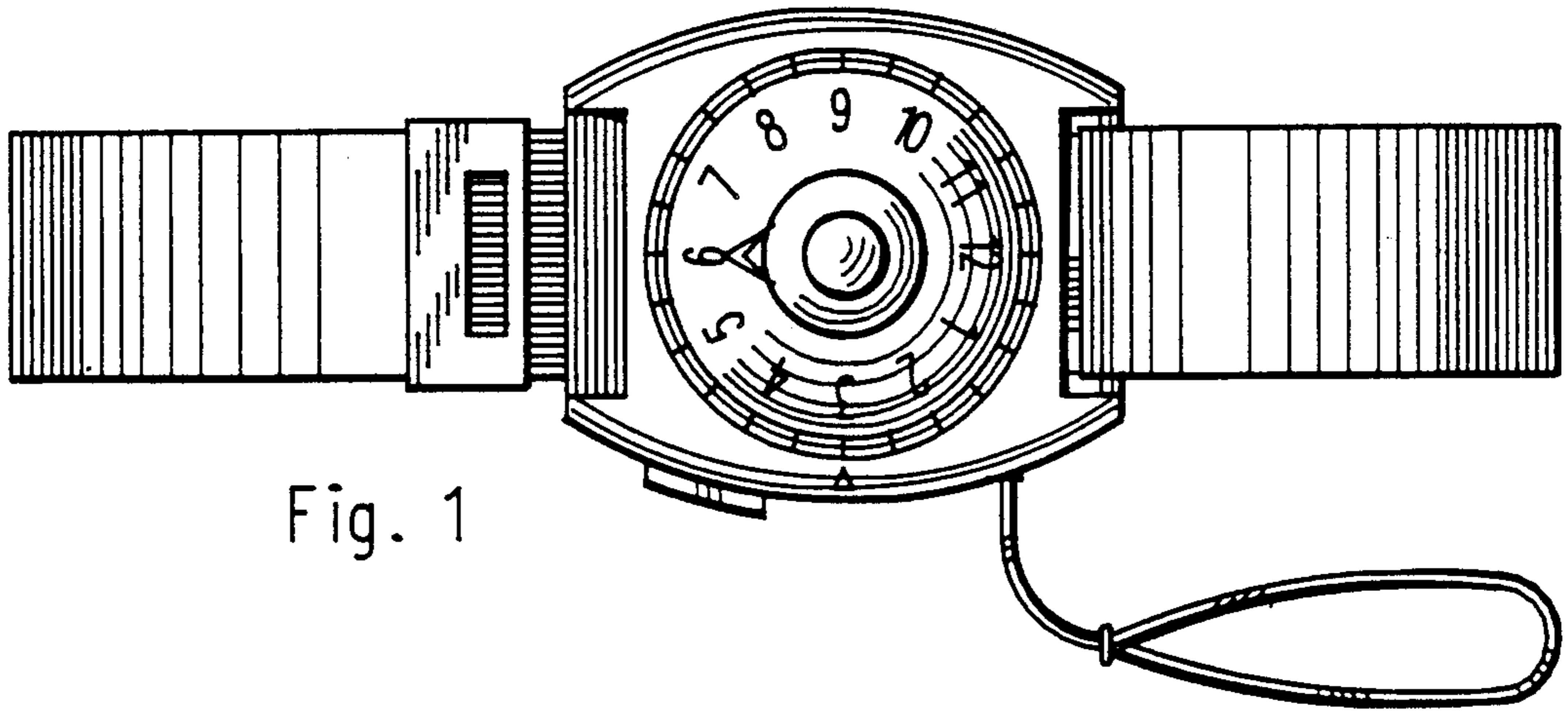


Fig. 1

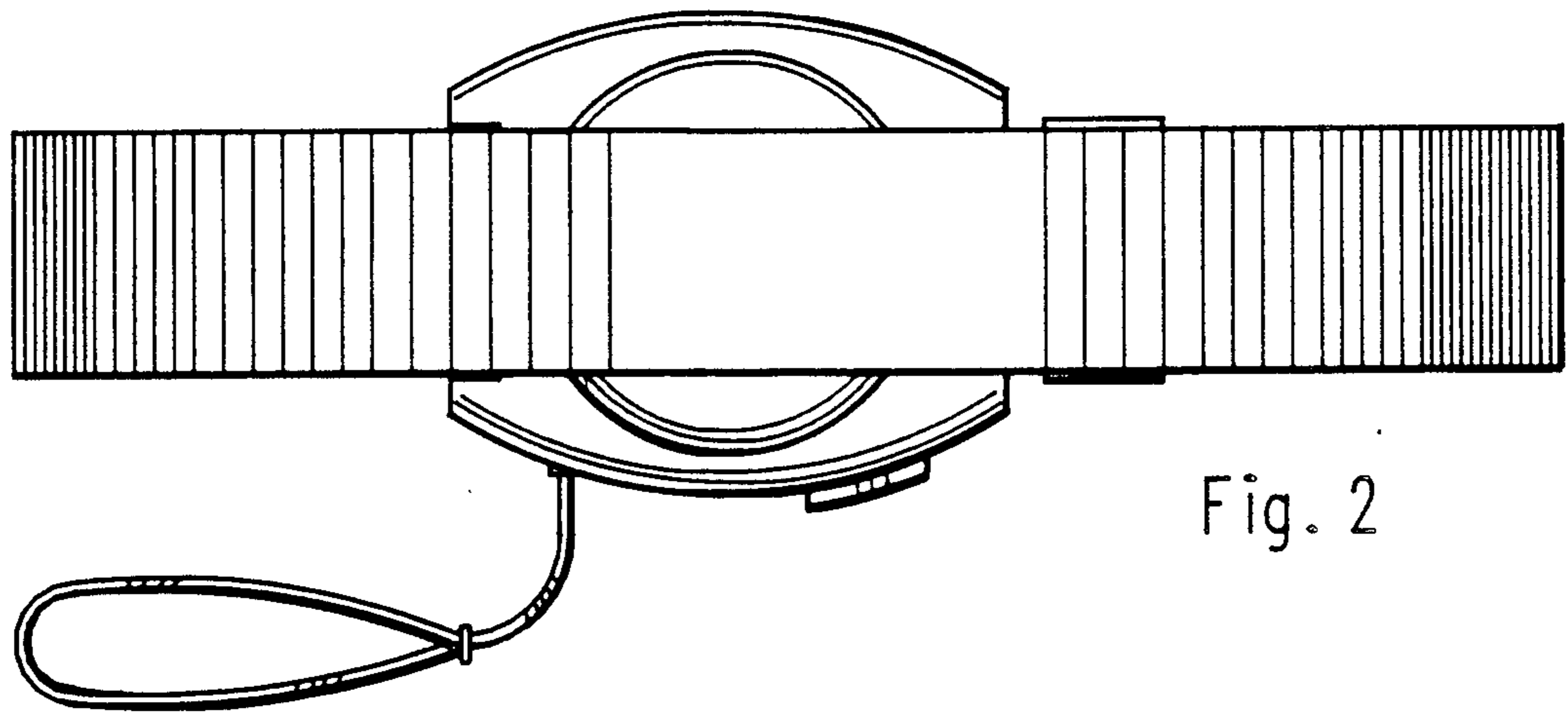


Fig. 2

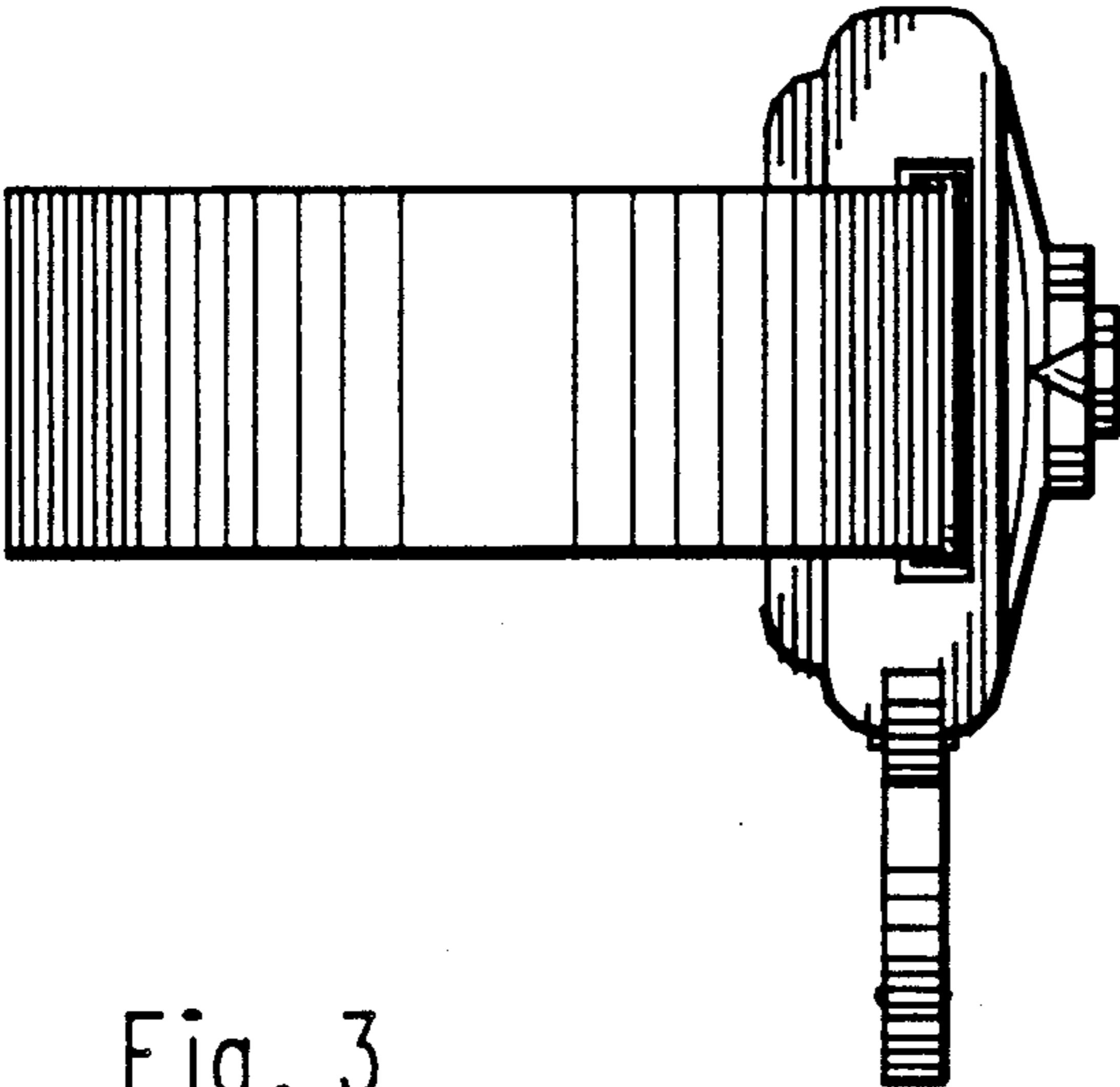


Fig. 3

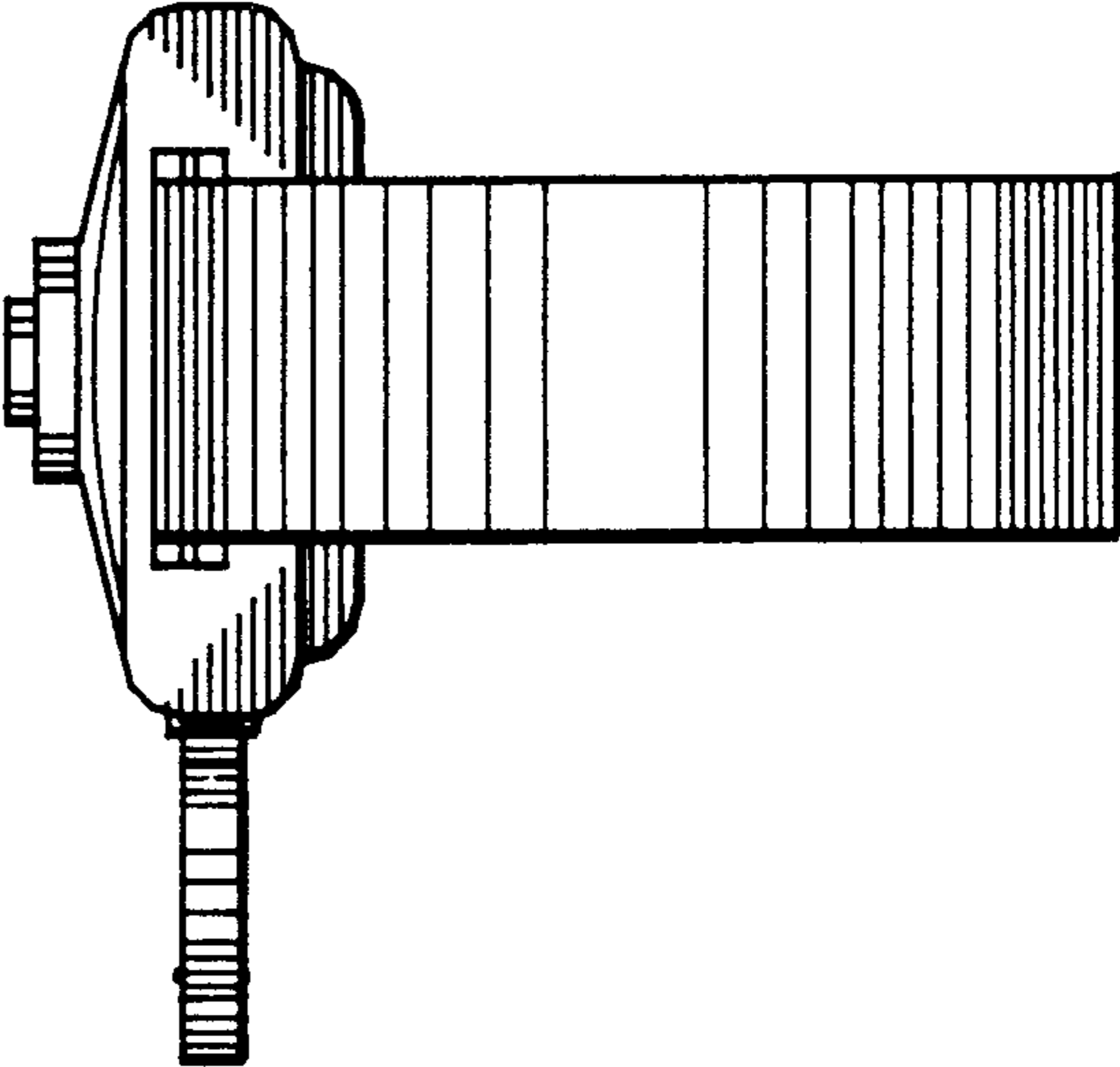


Fig. 4

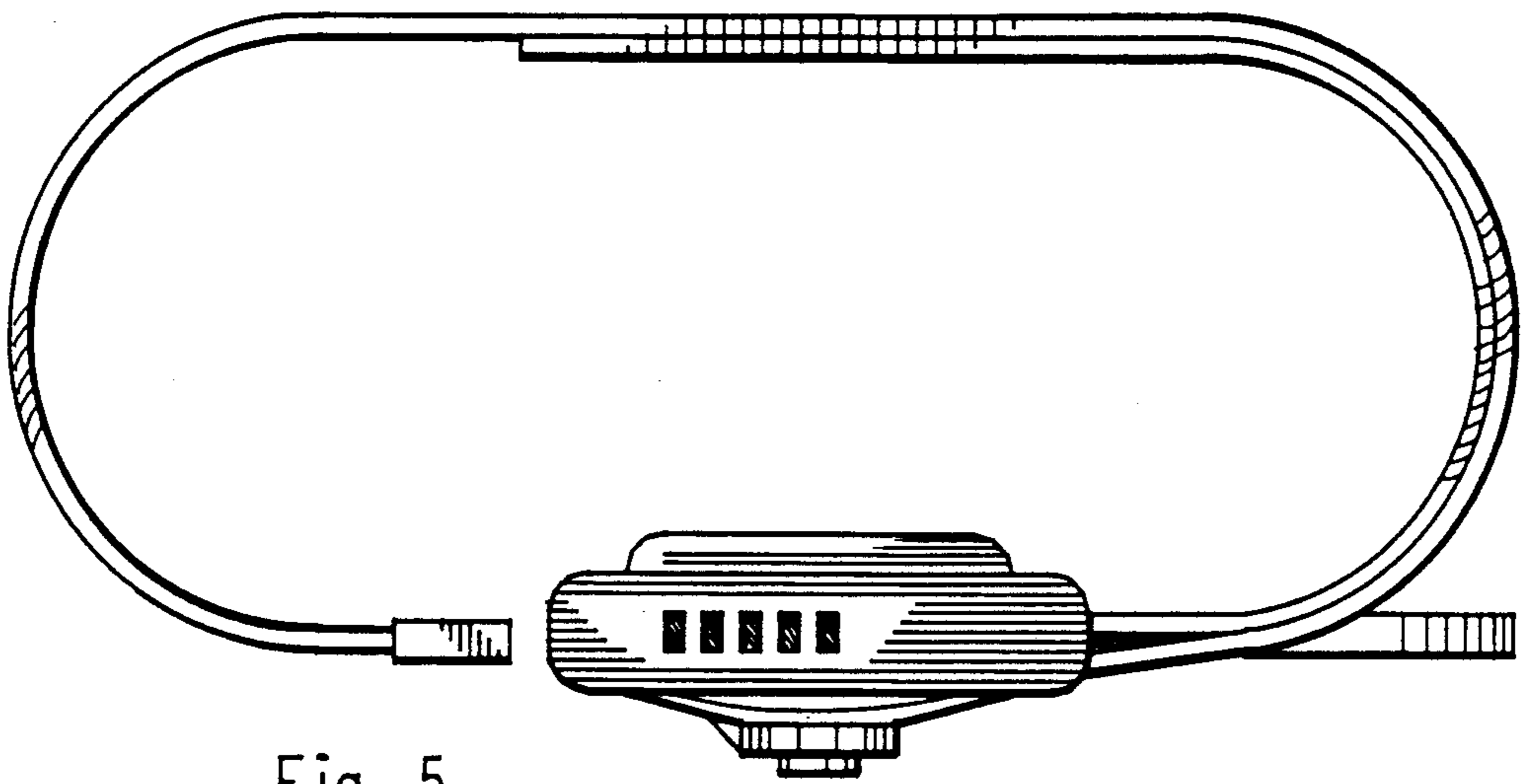


Fig. 5

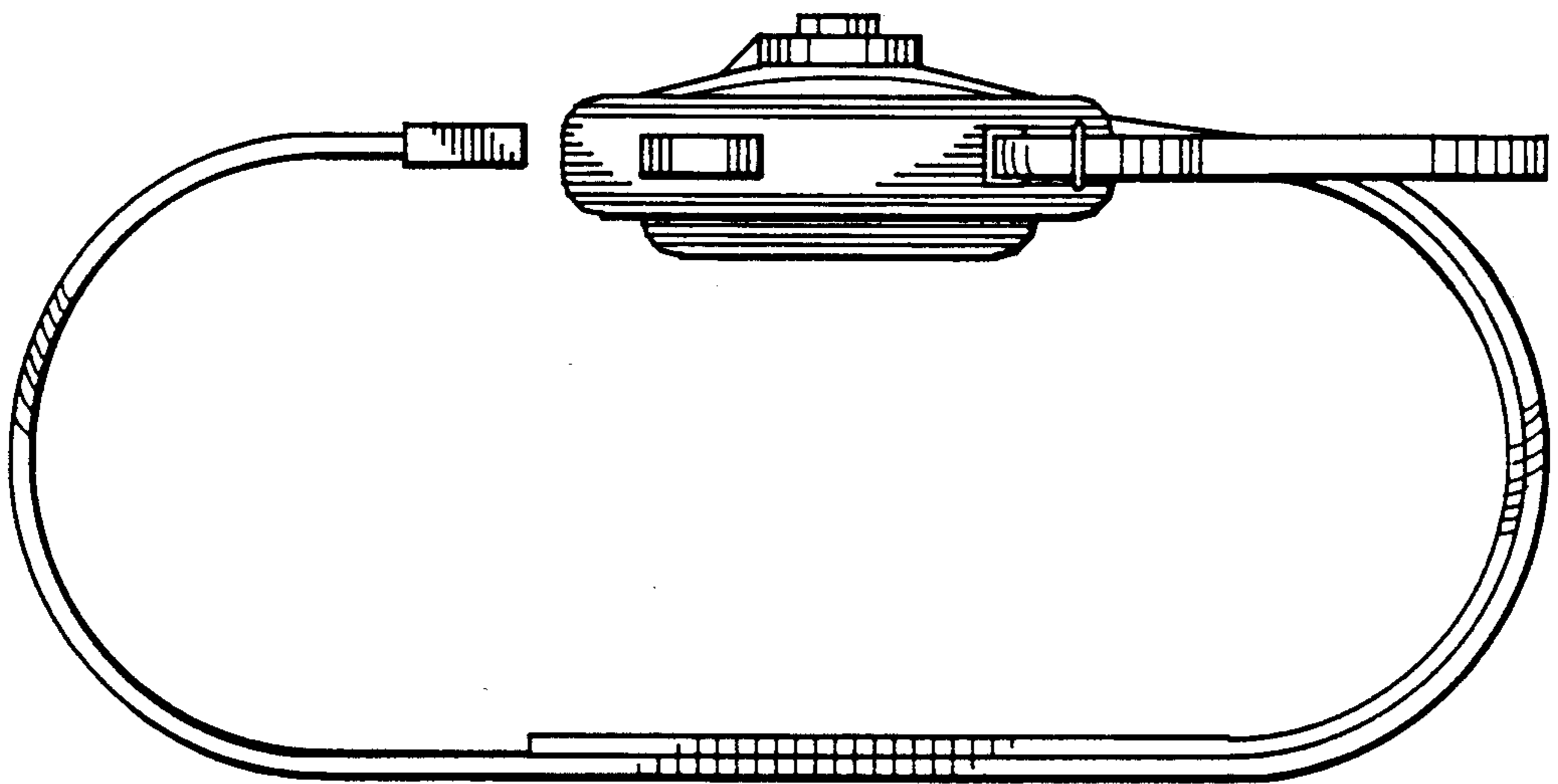


Fig. 6