

[54] LOCK FOR AN EXTENSION POLE

[75] Inventor: Howard Graves, Berlin, Ohio

[73] Assignee: The Wooster Brush Company, Wooster, Ohio

[\*\*] Term: 14 Years

[21] Appl. No.: 150,328

[22] Filed: Jan. 29, 1988

[52] U.S. Cl. .... D8/331

[58] Field of Search ..... D8/330-331; 248/682, 689, 49, 188.1, 188.5; 292/300, 303, 305; 24/530, 540-541

[56] References Cited

U.S. PATENT DOCUMENTS

933,248	9/1909	Grant .	
1,278,100	10/1918	Bruning .	
1,365,703	1/1921	Kolb .	
2,545,813	8/1946	Jackson .....	155/28
2,682,414	6/1954	Richardson .....	279/77
2,875,007	2/1959	Fox .....	248/188.5

3,026,592	3/1962	Dudley .....	24/541
3,704,850	12/1972	Hendrickson et al. ....	248/188.5
4,586,399	5/1986	Kassai .....	74/551.3

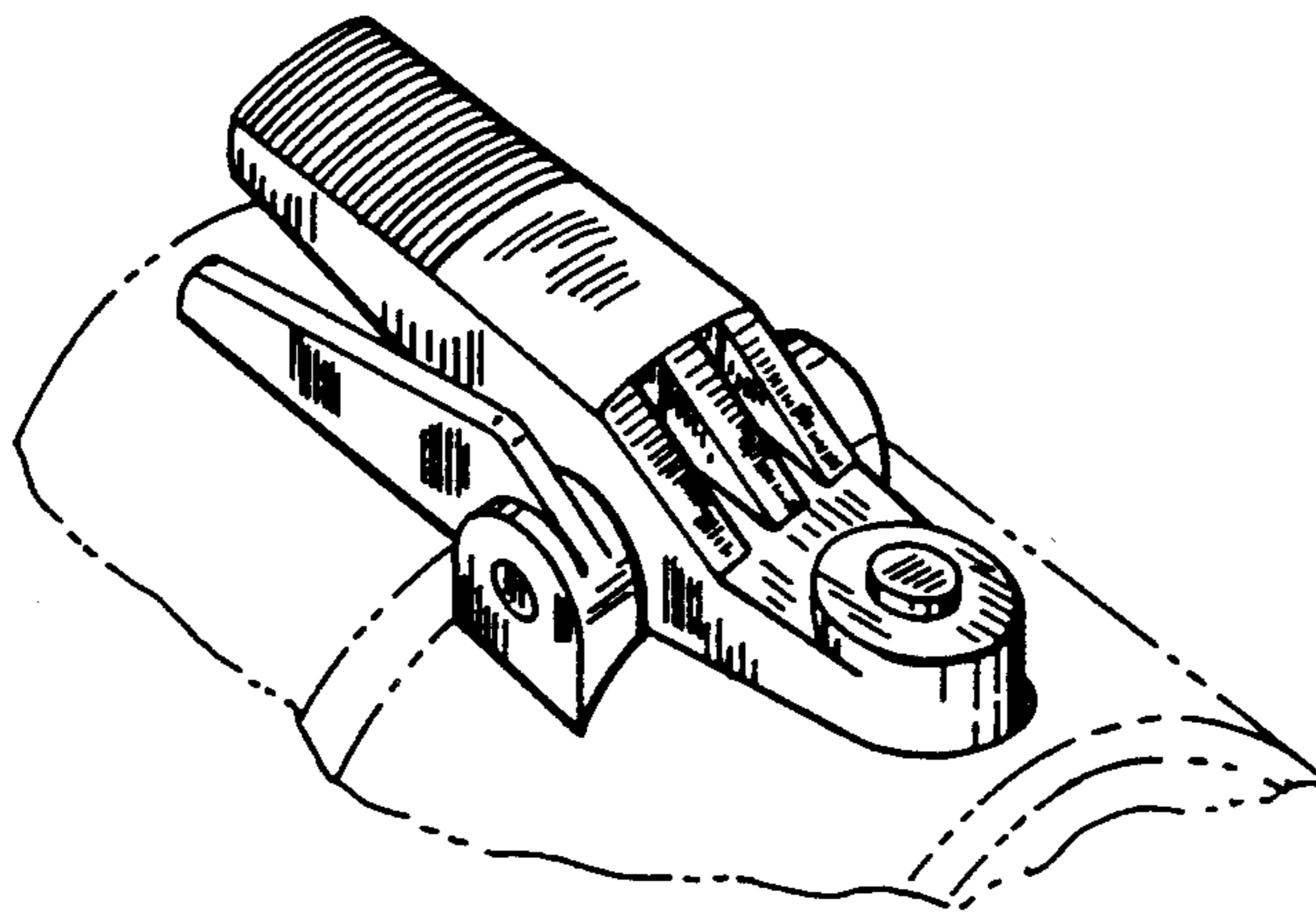
Primary Examiner—Wallace R. Burke  
Assistant Examiner—Brian N. Vinson  
Attorney, Agent, or Firm—Renner, Otto, Boisselle & Sklar

[57] CLAIM

The ornamental design for a lock for an extension pole, as shown and described.

DESCRIPTION

FIG. 1 is a side elevational view of a lock for an extension pole showing my new design, the opposite side being a mirror image of that shown; FIG. 2 is an end elevational view thereof; FIG. 3 is an opposite end elevational view thereof; FIG. 4 is a top plan view thereof; and FIG. 5 is a top perspective view thereof. The broken-line showing of portions of an extension pole in the views is for illustrative purposes only and forms no part of the claimed design.



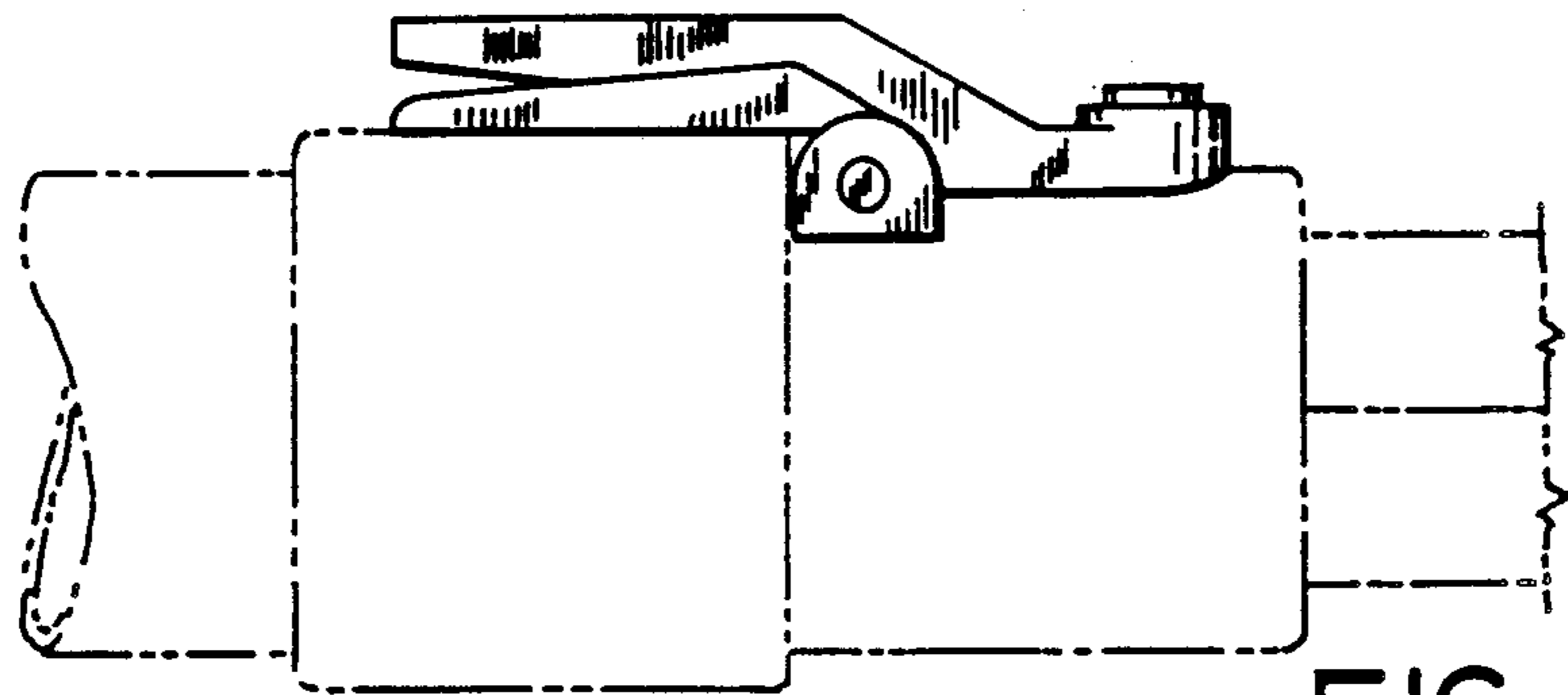


FIG. 1

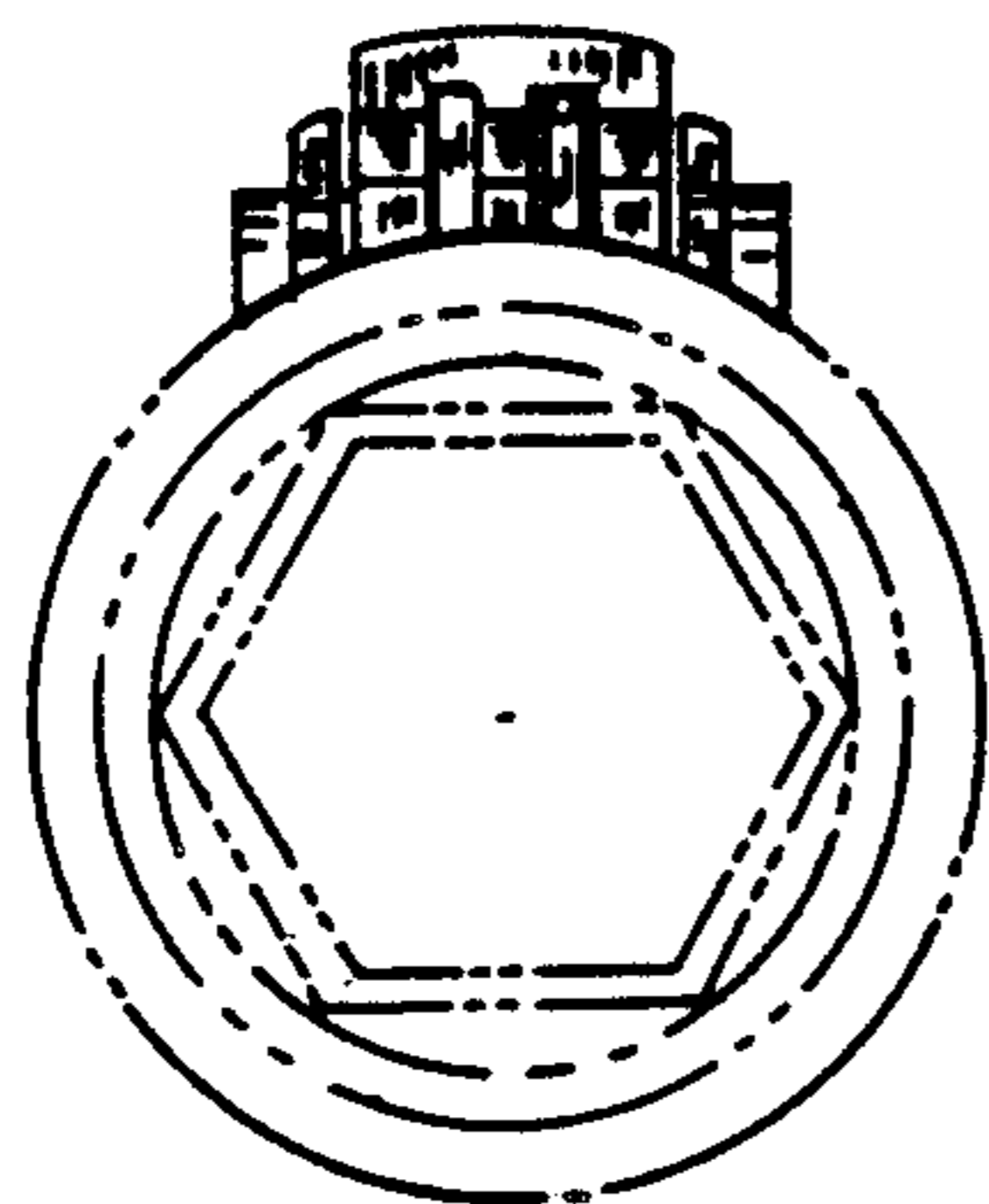


FIG. 2

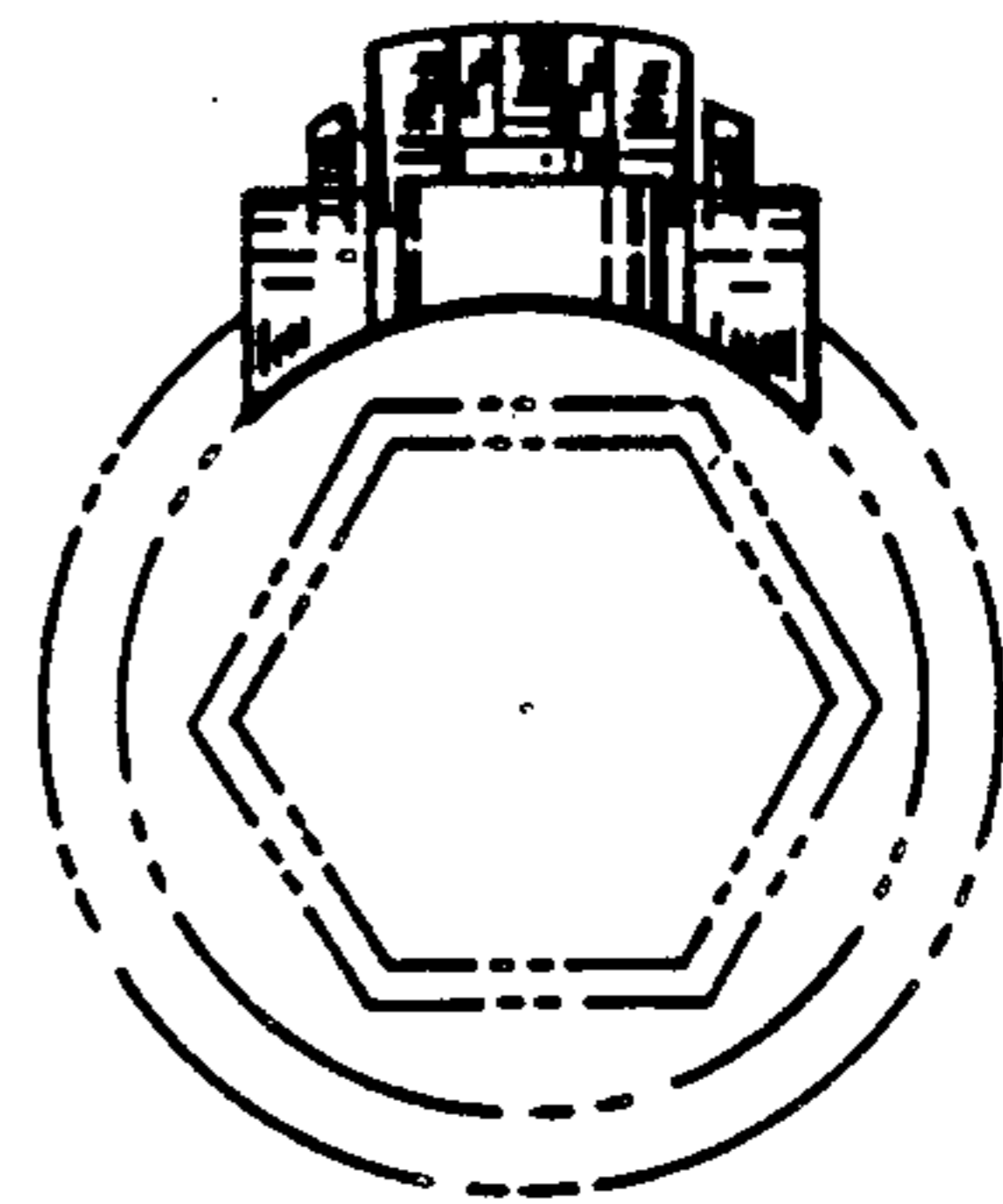


FIG. 3

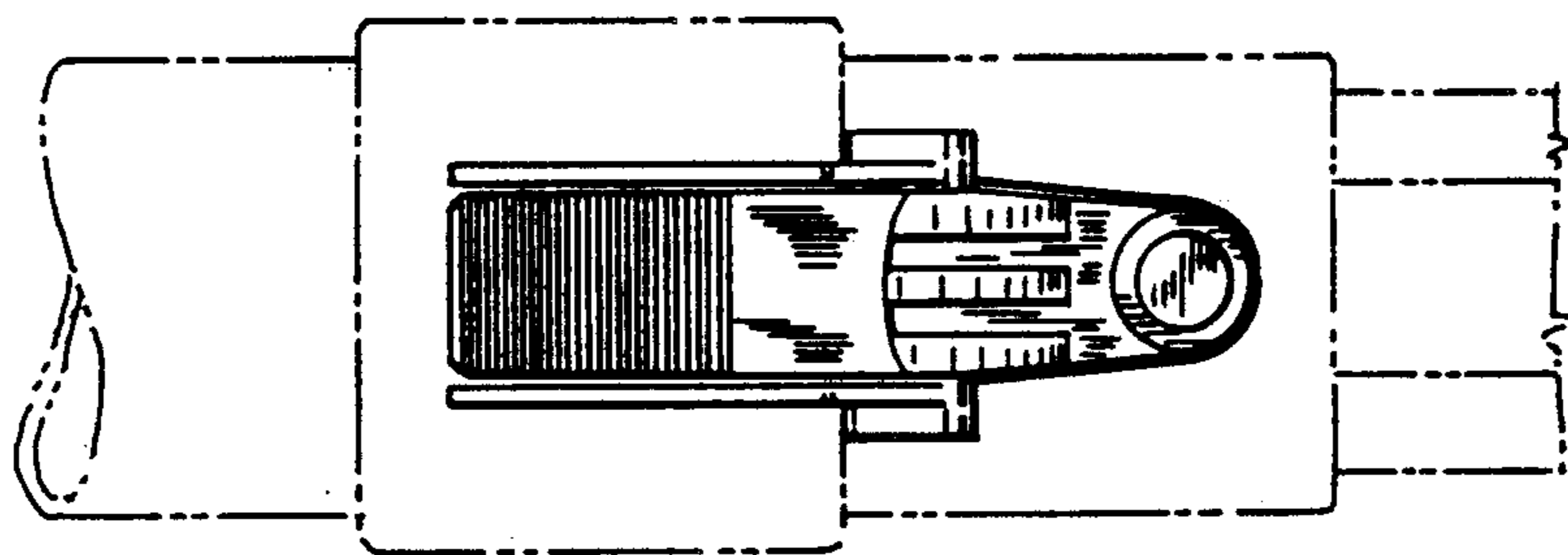


FIG. 4

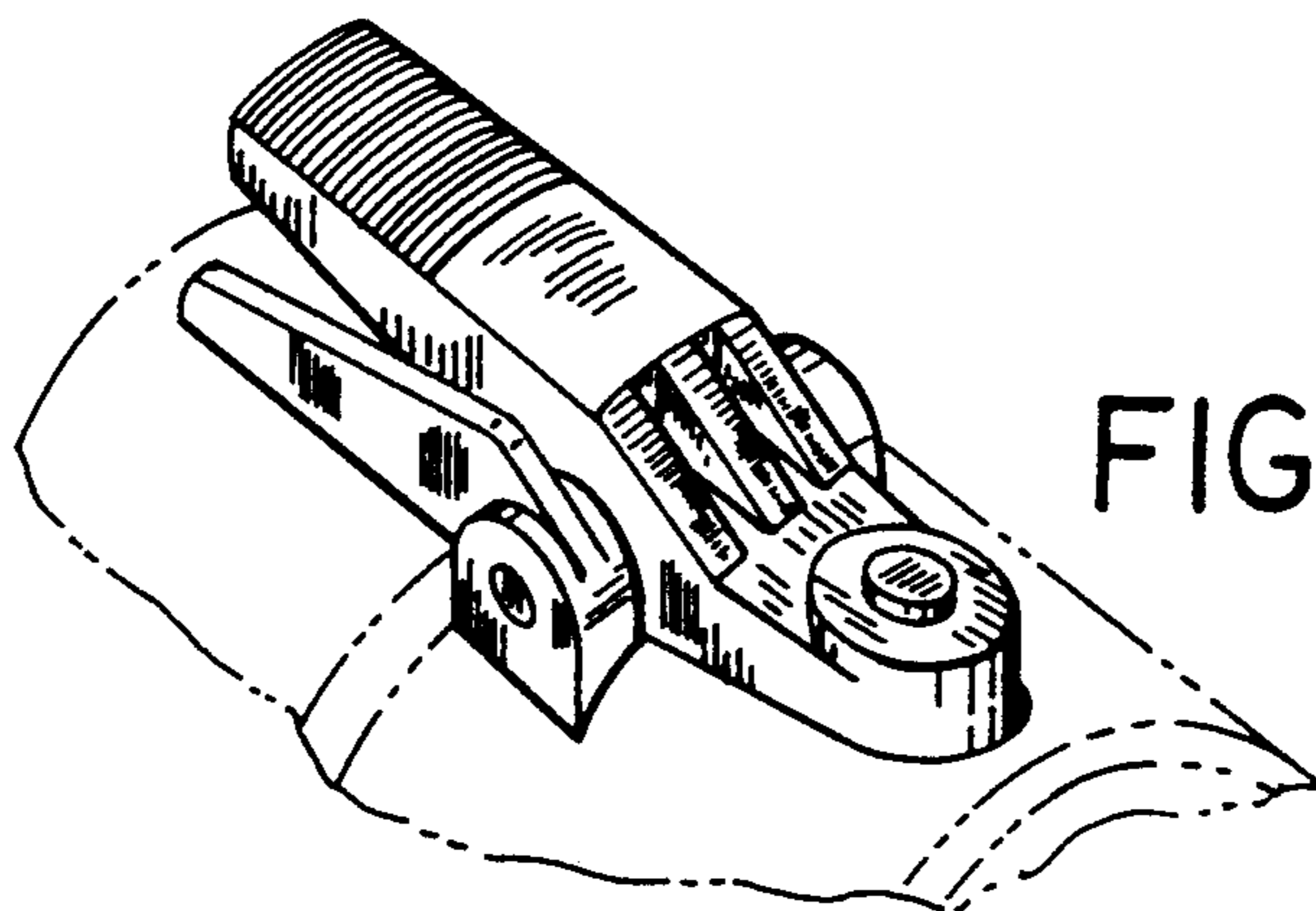


FIG. 5