

[54] **EXTRACTOR TOOL**

[76] **Inventor: Glen Parks, Rte. 3, Box 58 AB, Clarksville, Ark. 72830**

[\*\*] **Term: 14 Years**

[21] **Appl. No.: 110,507**

[22] **Filed: Oct. 19, 1987**

[52] **U.S. Cl. .... D8/98**

[58] **Field of Search ..... D8/14, 97, 98, 83**

[56] **References Cited**  
**U.S. PATENT DOCUMENTS**

|            |         |             |       |       |   |
|------------|---------|-------------|-------|-------|---|
| D. 2,621   | 4/1867  | Simmerman   | ..... | D8/14 | X |
| D. 128,623 | 8/1941  | Dorcas      | ..... | D8/98 |   |
| D. 185,958 | 8/1959  | Bougie      | ..... | D8/98 |   |
| D. 290,334 | 6/1987  | Reynolds    | ..... | D8/98 | X |
| D. 303,921 | 10/1989 | Blochlinger | ..... | D8/98 |   |
| 3,918,158  | 11/1975 | Debski      | ..... | D8/98 | X |

**OTHER PUBLICATIONS**

*Channel Lock*, Cat. No. 361, 1965, p. 15.  
*Red Devil*, Cat. No. 29, 1970, p. 18.

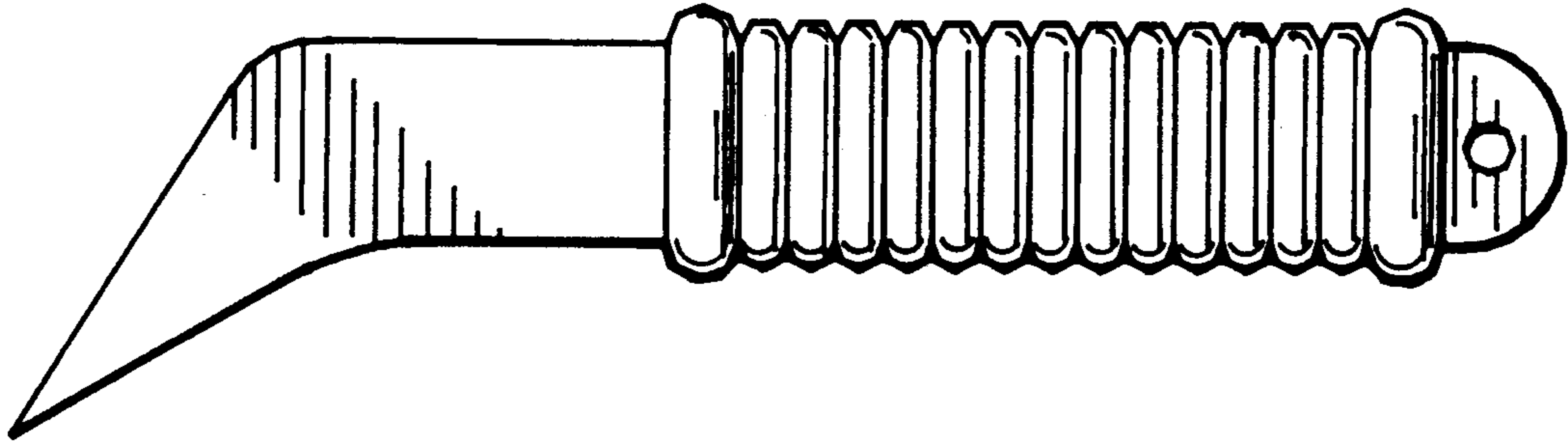
*Primary Examiner*—Bruce W. Dunkins  
*Assistant Examiner*—M. Hannon  
*Attorney, Agent, or Firm*—Jerry T. Kearns

[57] **CLAIM**

The ornamental design for an extractor tool, as shown and described.

**DESCRIPTION**

FIG. 1 is a side elevational view of a plug extractor tool showing my new design;  
FIG. 2 is an elevational view showing the side opposite that shown in FIG. 1;  
FIG. 3 is a left end elevational view;  
FIG. 4 is a right end elevational view;  
FIG. 5 is a top plan view; and  
FIG. 6 is a bottom plan view.



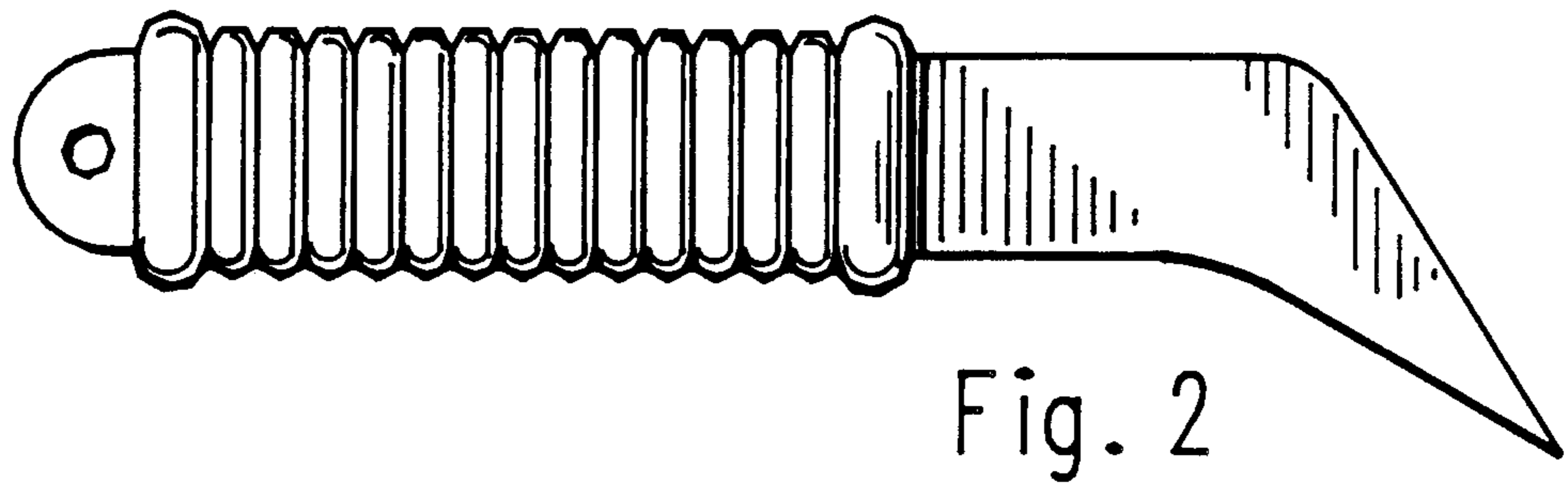
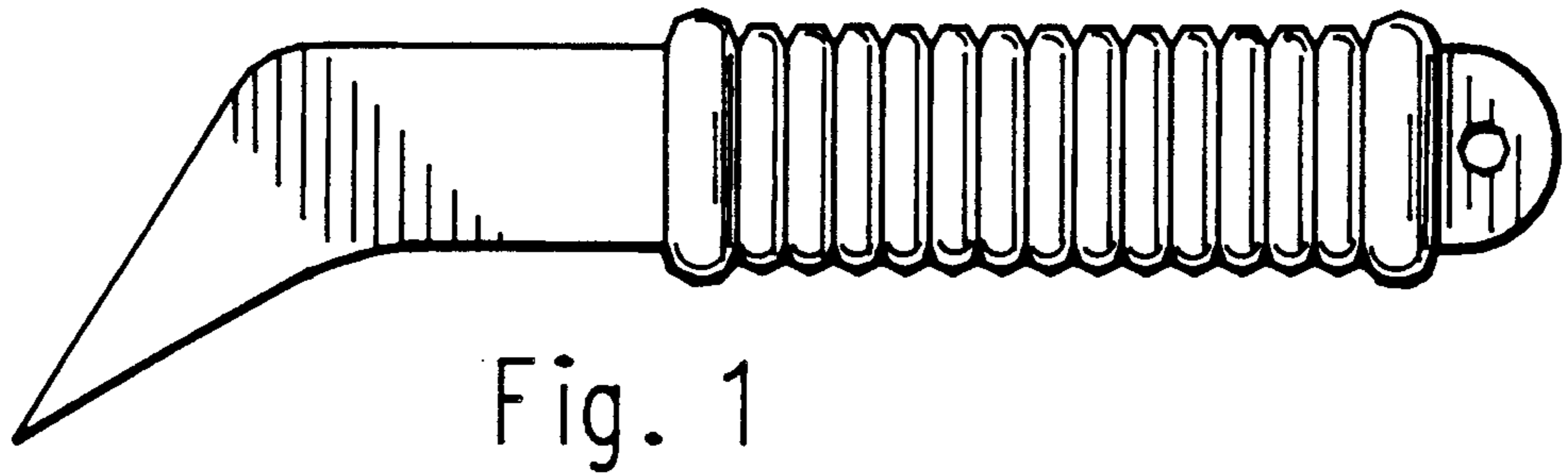


Fig. 3



Fig. 4



Fig. 5



Fig. 6