

[54] HAND OPERATED CRIMPING TOOL
[76] Inventors: James A. Baxter, 73a Friern Barnet Lane, London N20 0XT; Kenneth E. Marshall, Pinfold House, Almond Close, Barby, Rugby, Warwickshire CV23 8TL, both of United Kingdom

2,639,754 5/1953 Macy 72/411
2,863,346 12/1958 Cobaugh 72/411 X
3,918,329 11/1975 Hopkinson D8/51 X
4,519,129 5/1985 Caveney et al. D8/14 X
4,546,546 10/1985 Kleger et al. D8/98 X

[**] Term: 14 Years

Primary Examiner—Bruce W. Dunkins
Assistant Examiner—M. Hannon
Attorney, Agent, or Firm—Marmorek, Guttman & Rubenstein

[21] Appl. No.: 198,915

[22] Filed: May 26, 1988

[57] CLAIM

The ornamental design for a hand operated crimping tool, as shown and described.

[30] Foreign Application Priority Data

Nov. 27, 1987 [GB] United Kingdom 1046686

DESCRIPTION

[52] U.S. Cl. D8/51

[58] Field of Search D8/14, 51, 98; 72/404, 72/411, 416, 410, 272, 385, 412

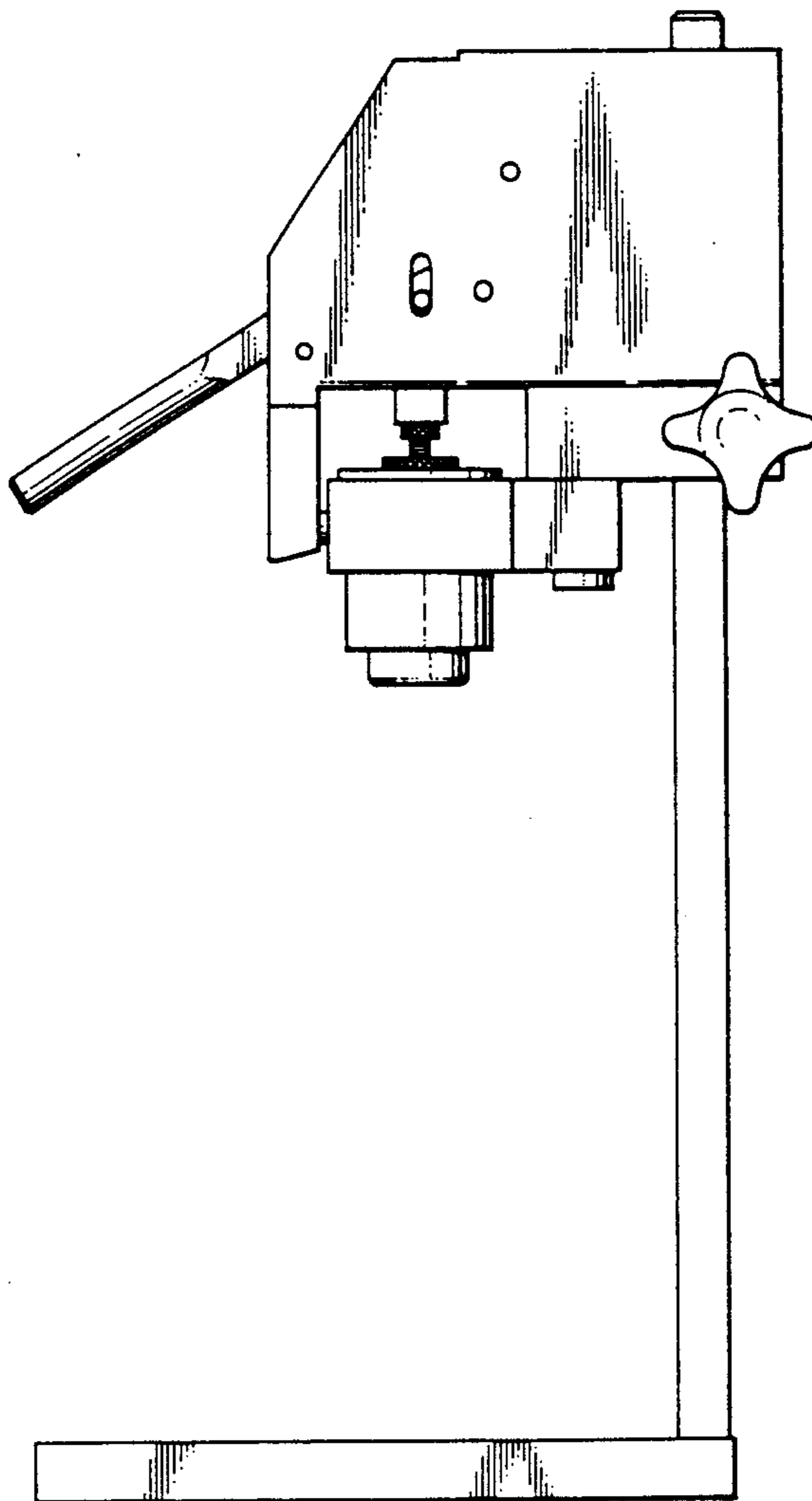
FIG. 1 is a side elevational view of a hand operated crimping tool showing our new design; FIG. 2 is an elevational view showing the side opposite that shown in FIG. 1; FIG. 3 is a front elevational view; and FIG. 4 is a top plan view thereof.

[56] References Cited

U.S. PATENT DOCUMENTS

D. 232,906 9/1974 Lawson D8/51
427,678 5/1890 Gartze 72/404

The undisclosed rear surfaces of the crimping tool are conventionally flat and unadorned.



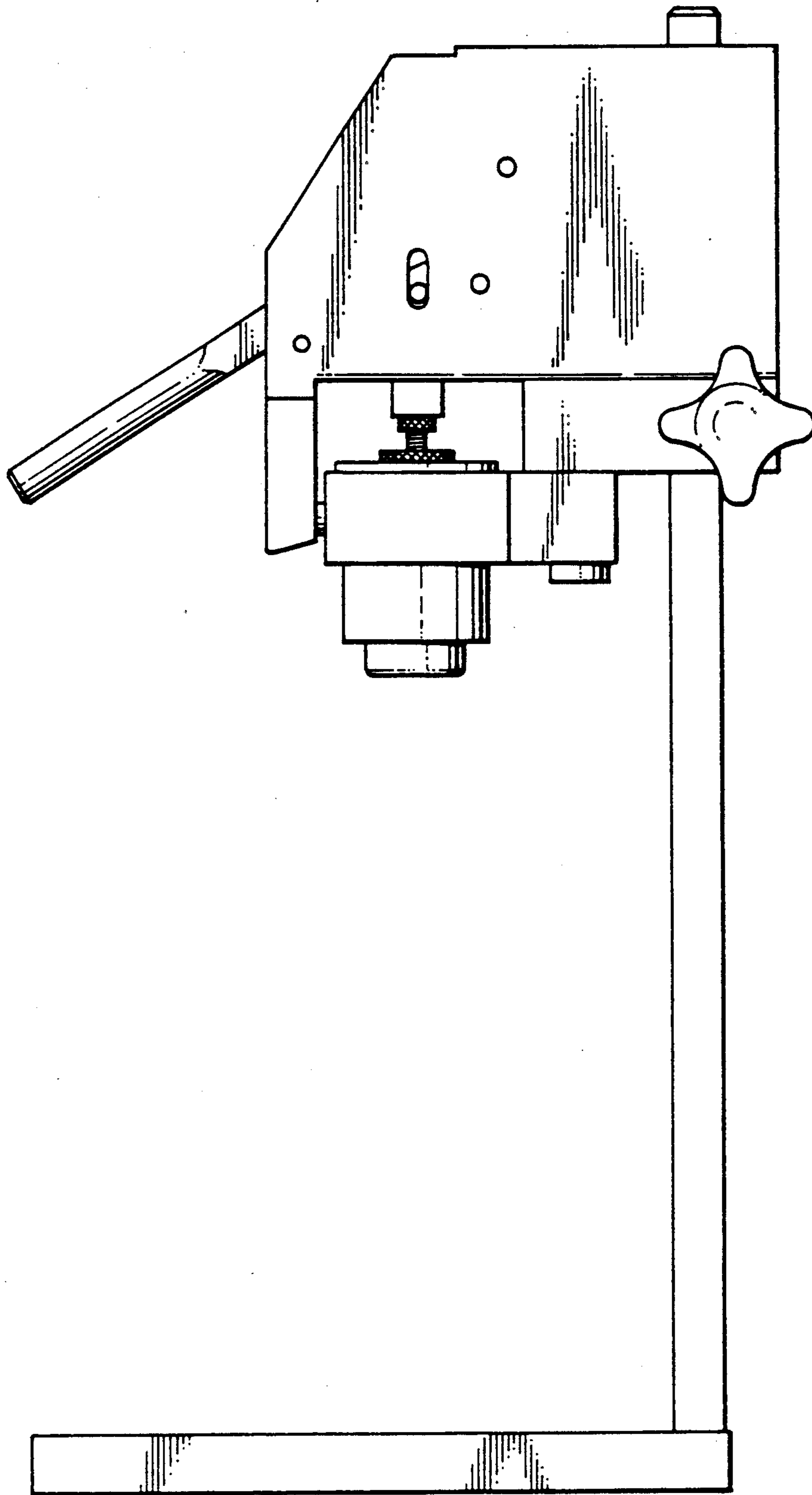


FIG. 1

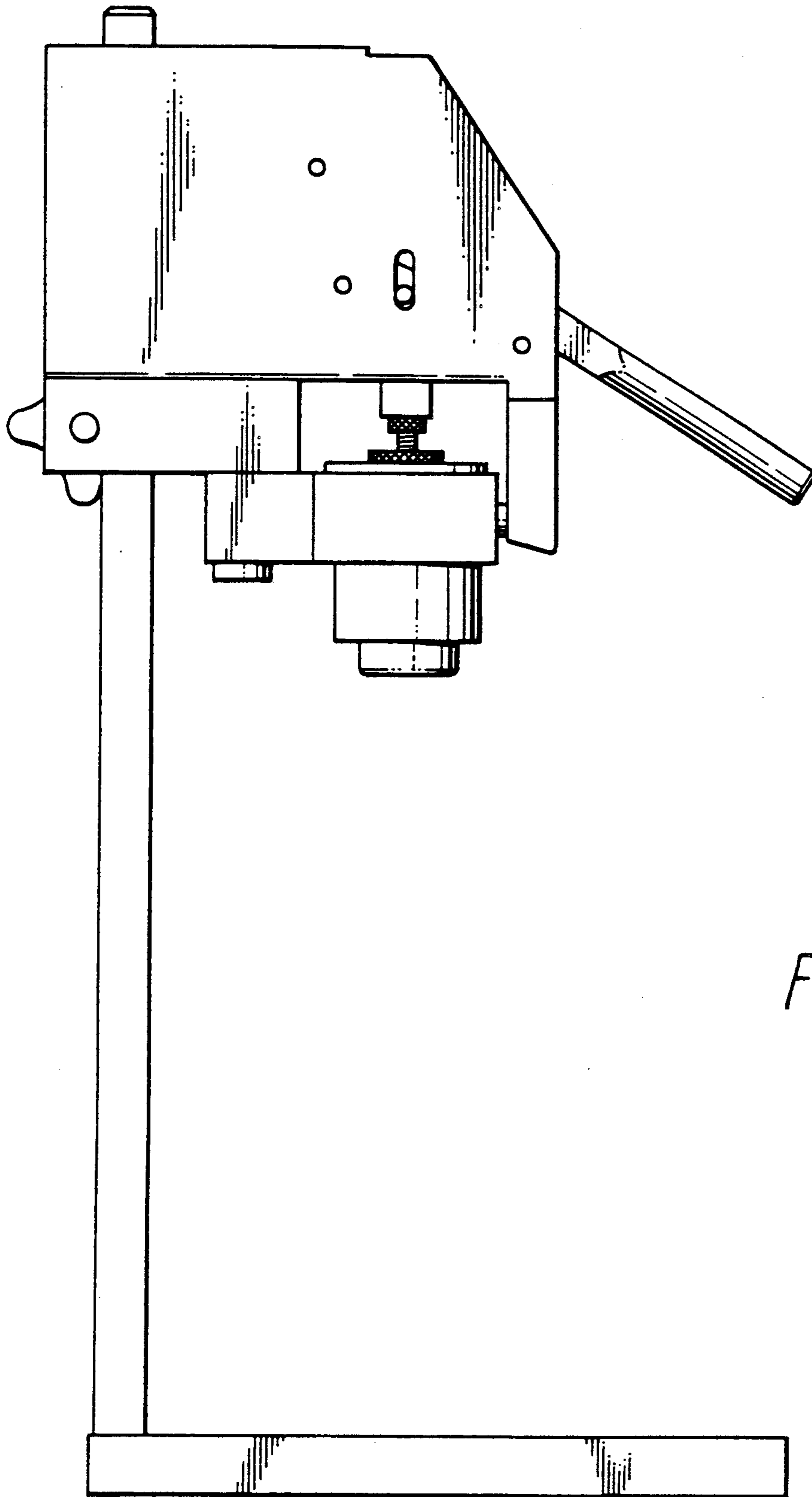


FIG. 2

