

# United States Patent [19]

Aziz et al.

[11] Patent Number: Des. 315,275

[45] Date of Patent: \*\* Mar. 12, 1991

[54] BAGEL CUTTER

[75] Inventors: Abdul Aziz, 82-67 Austin St., Apt. #412, Kew Gardens, N.Y. 11415;  
Jesse L. Colodner, Pearl River, N.Y.

[73] Assignee: Abdul Aziz, Kew Gardens, N.Y.

[\*\*] Term: 14 Years

[21] Appl. No.: 285,866

[22] Filed: Dec. 16, 1988

[52] U.S. Cl. .... D7/673

[58] Field of Search ..... D7/672-677,  
D7/381; 269/287, 288, 291, 295, 87.2;  
83/761-762, 431, 454-455; 30/304, 114-117

[56] References Cited

U.S. PATENT DOCUMENTS

D. 279,156 6/1985 Levine ..... D7/673

3,583,026 6/1971 Peoni ..... 269/87.2 X  
4,249,445 2/1981 Browning ..... D7/673 X

Primary Examiner—Bernard Ansher  
Assistant Examiner—Terry A. Pfeffer  
Attorney, Agent, or Firm—Iman Abdallah

[57] CLAIM

The ornamental design for a bagel cutter, as shown and described.

## DESCRIPTION

FIG. 1 is a top, front right side perspective view of a bagel cutter showing our new design;  
FIG. 2 is a top plan view thereof;  
FIG. 3 is a cross-sectional view taken along line 3—3 of FIG. 2; and  
FIG. 4 is a rear elevational view thereof.  
The undisclosed left side view is a mirror image of the right side. The undisclosed bottom view is planar and unornamented.

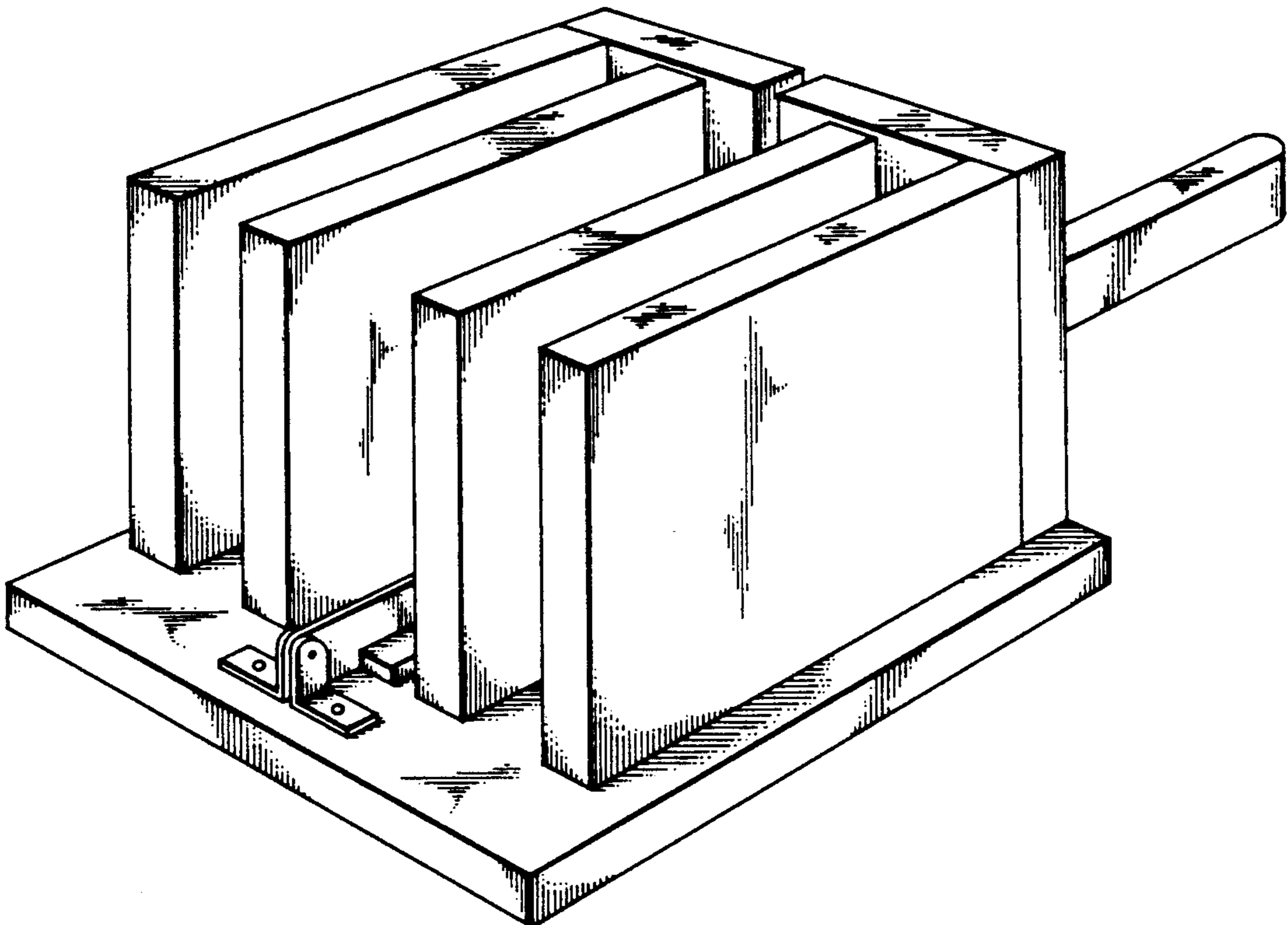


FIG. 1

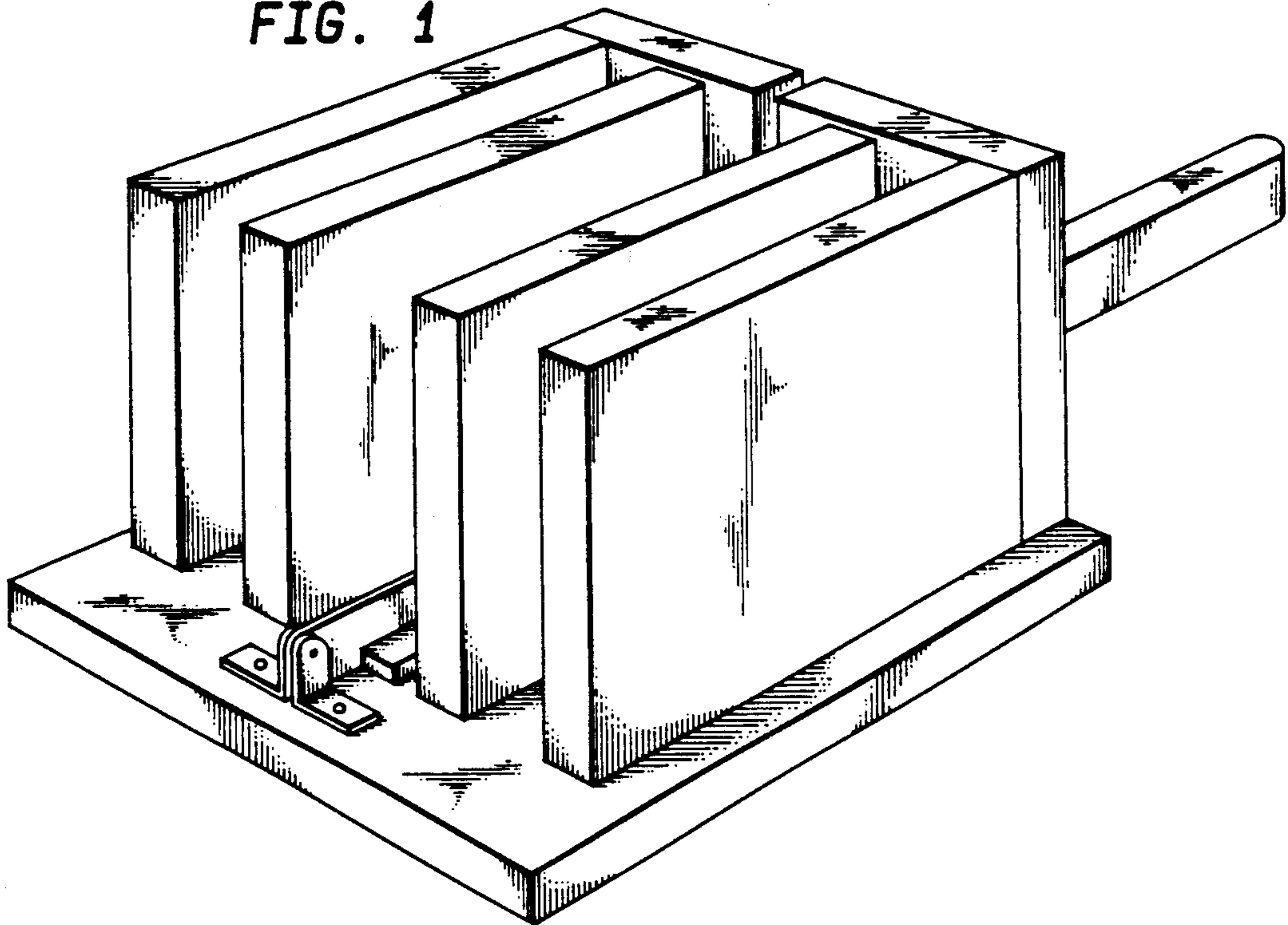


FIG. 2

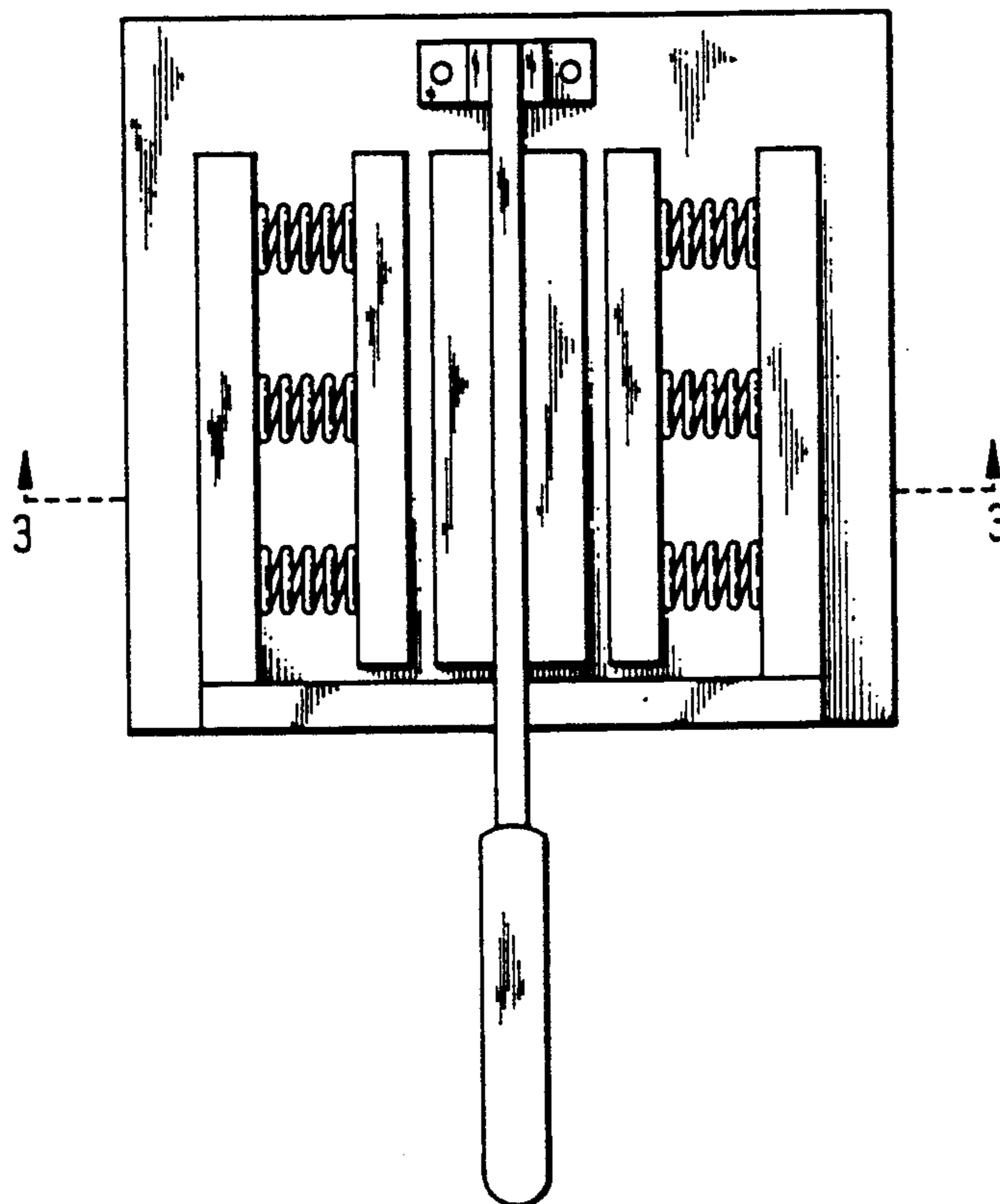


FIG. 3

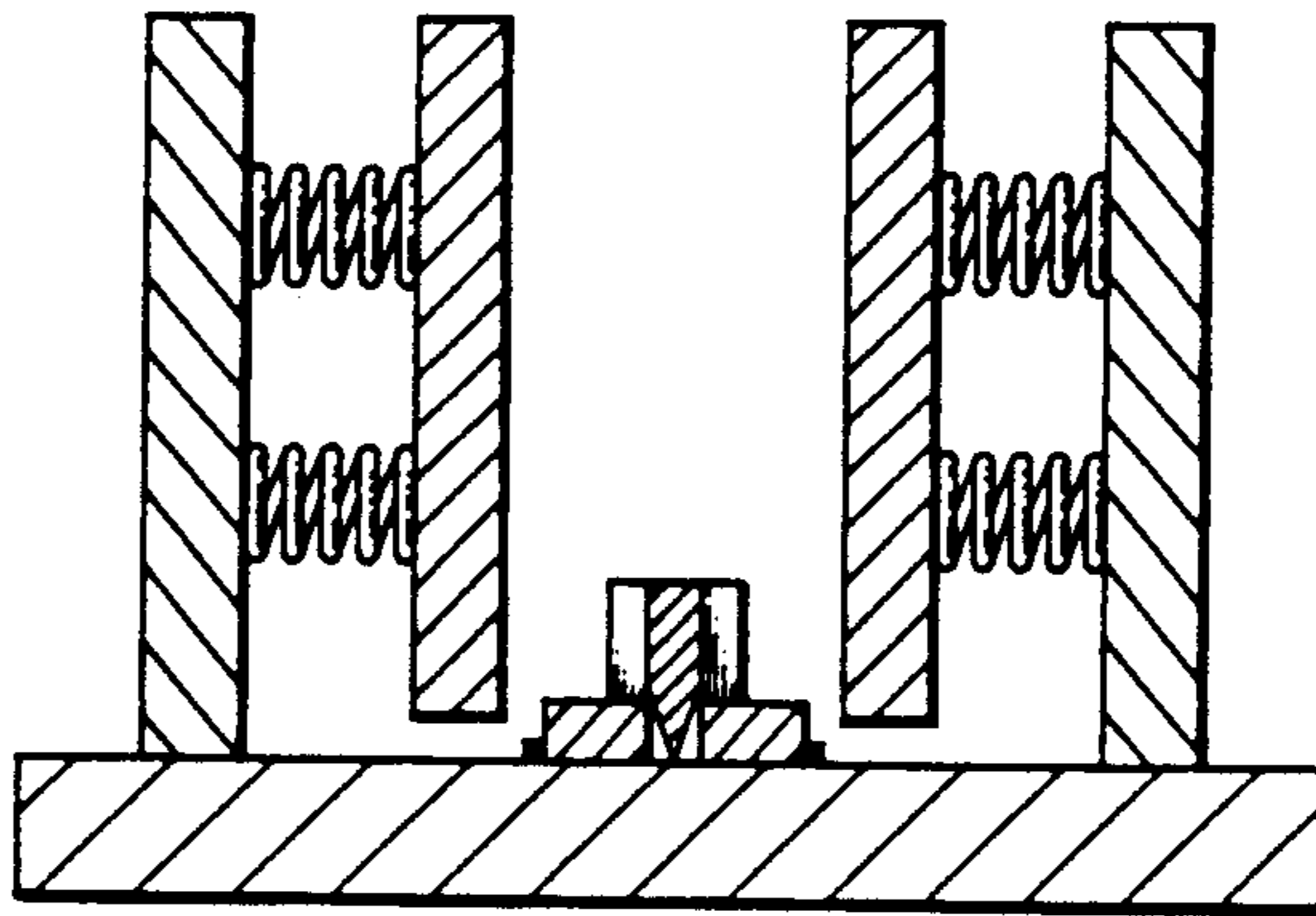


FIG. 4

