

United States Patent [19]

Myerly et al.

[11] Patent Number: Des. 315,273

[45] Date of Patent: ** Mar. 12, 1991

[54] TOASTER

[75] Inventors: R. Scott Myerly, Richmond, Va.;
Donald G. Wolfe, Lake Barrington,
Ill.

[73] Assignee: Hamilton Beach/Proctor-Silex, Inc.,
Glen Allen, Va.

[**] Term: 14 Years

[21] Appl. No.: 252,866

[22] Filed: Oct. 3, 1988

[52] U.S. Cl. D7/330

[58] Field of Search D7/330, 328, 329, 331,
D7/350; 99/388, 389, 391, 385, 327, 331

[56] References Cited

U.S. PATENT DOCUMENTS

D. 156,153	11/1949	Olson et al.	D7/330
D. 220,809	5/1971	Krammes	D7/330
D. 226,242	1/1973	Weiss	D7/330
D. 258,926	4/1981	Hentschel	D7/330
D. 265,160	6/1982	Kelley	D7/330
D. 266,732	11/1982	Kelley	D7/330
3,533,350	10/1970	Sophocles et al.	99/329
3,575,102	4/1971	Parr	D7/330
4,345,513	8/1982	Holt	99/327

4,718,332 1/1988 Möthrath 99/385

FOREIGN PATENT DOCUMENTS

58993 7/1987 Canada .

OTHER PUBLICATIONS

Hong Kong Enterprise, Nov. 1987, p. 100, Linkco Industries, Ltd.; Toaster Model LT-100.

Kenwood Product brochure 1987, pp. 23, 24, Toaster #A144 und; Toaster #A126.

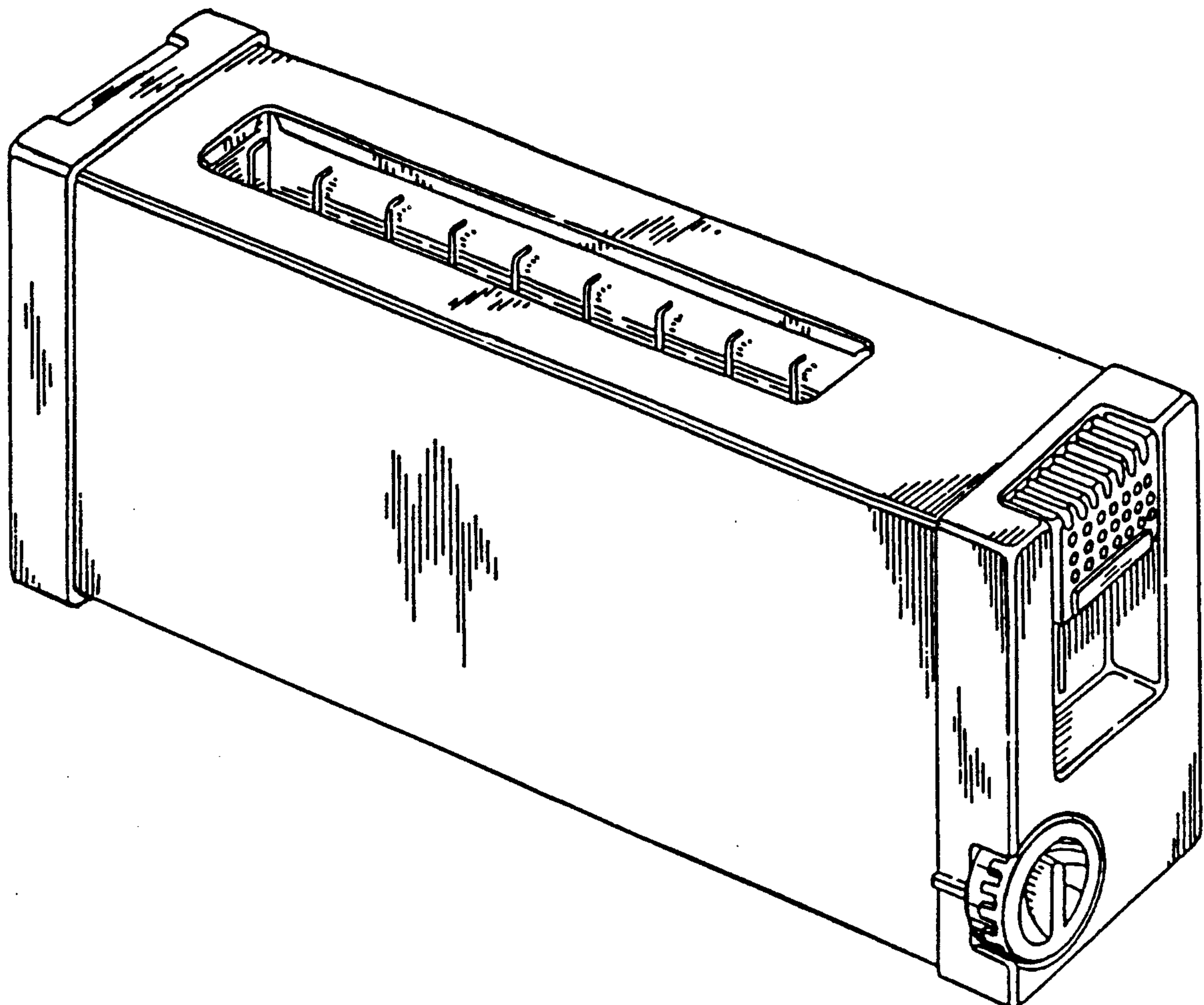
Primary Examiner—Winifred E. Herrmann
Attorney, Agent, or Firm—Roger S. Dybvig

[57] CLAIM

The ornamental design for a toaster, as shown and described.

DESCRIPTION

FIG. 1 is a top, front, and right end perspective view of a toaster showing our new design;
FIG. 2 is a front elevational view thereof;
FIG. 3 is a rear elevational view thereof;
FIG. 4 is a top plan view thereof;
FIG. 5 is a bottom plan view thereof;
FIG. 6 is a right end elevational view thereof; and
FIG. 7 is a left end elevational view thereof.



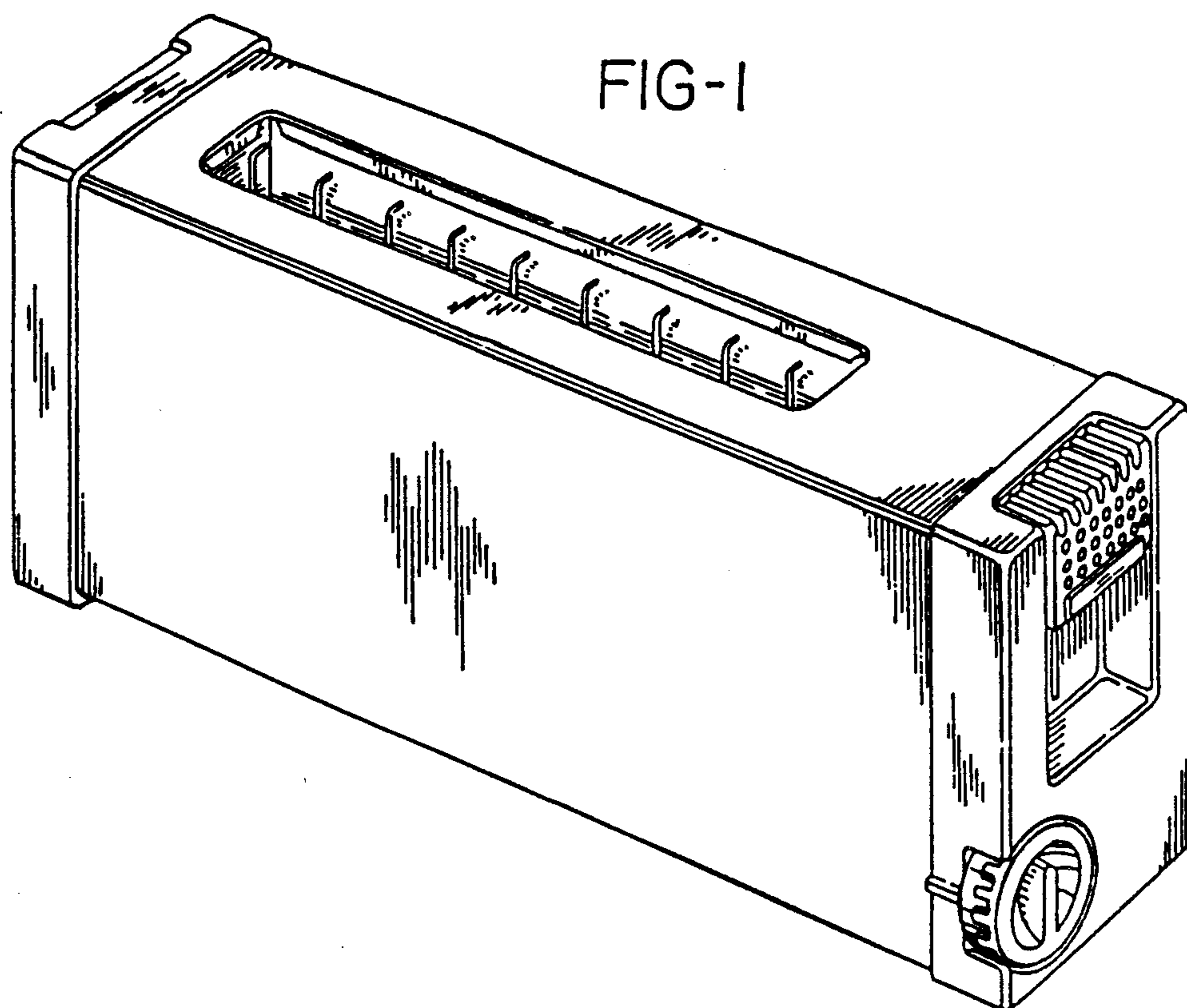


FIG-2

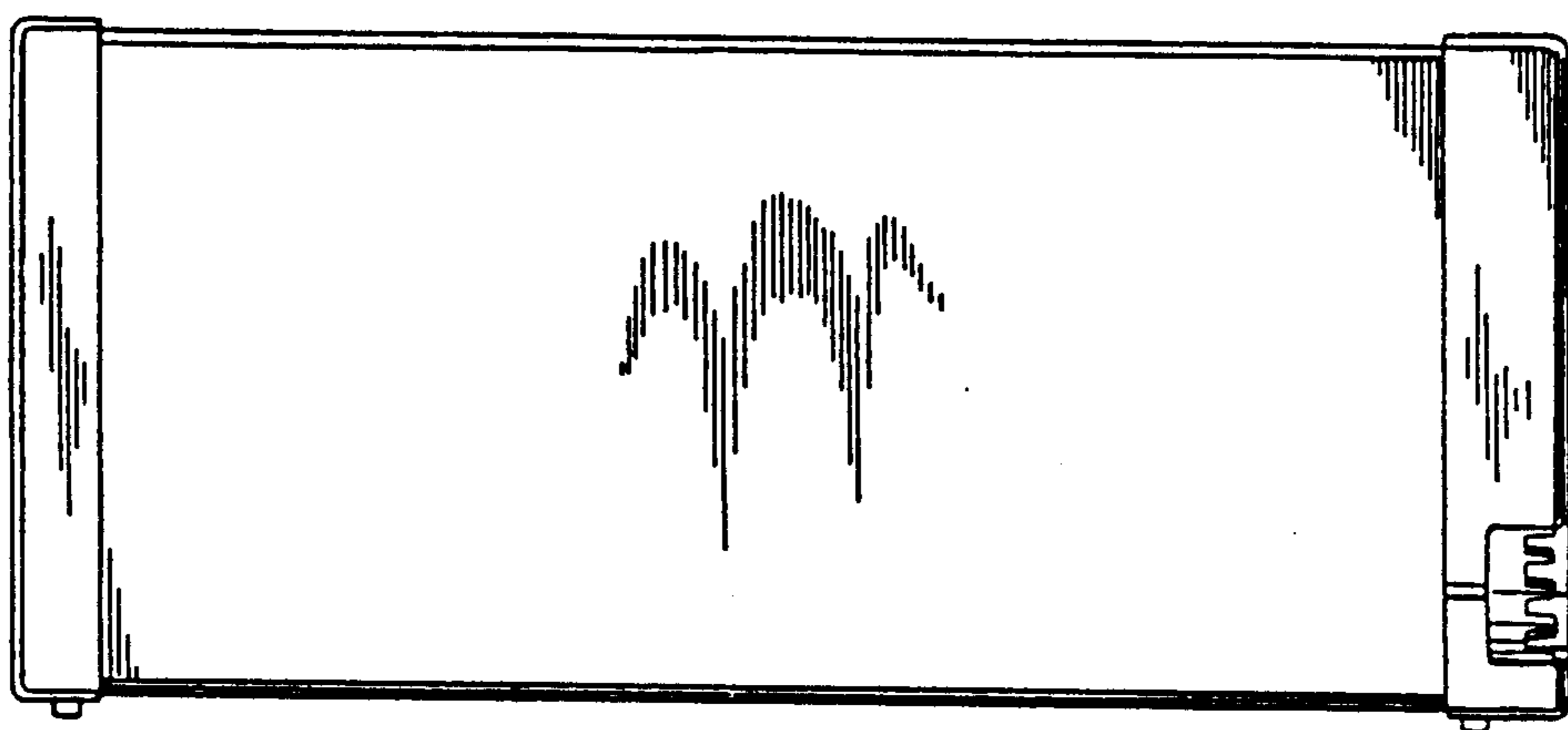


FIG-3

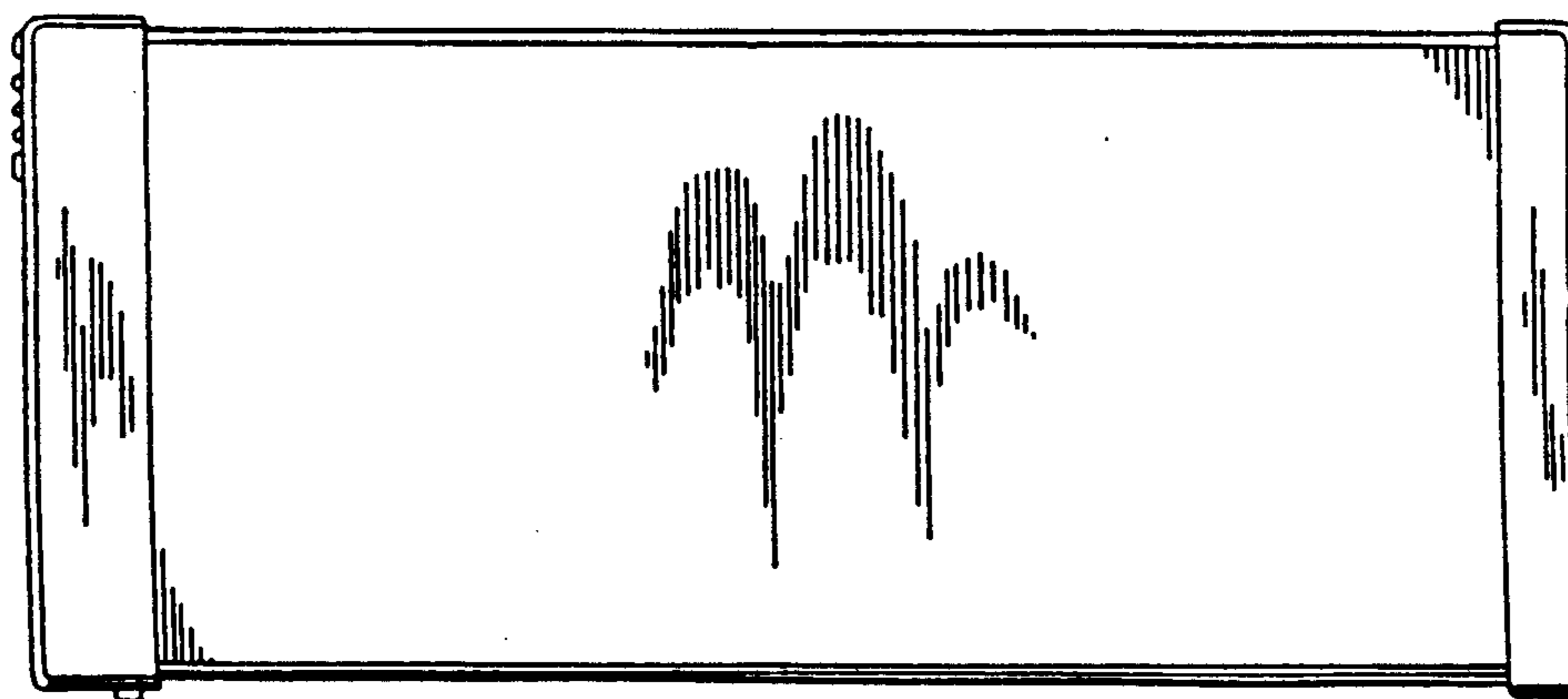


FIG-4

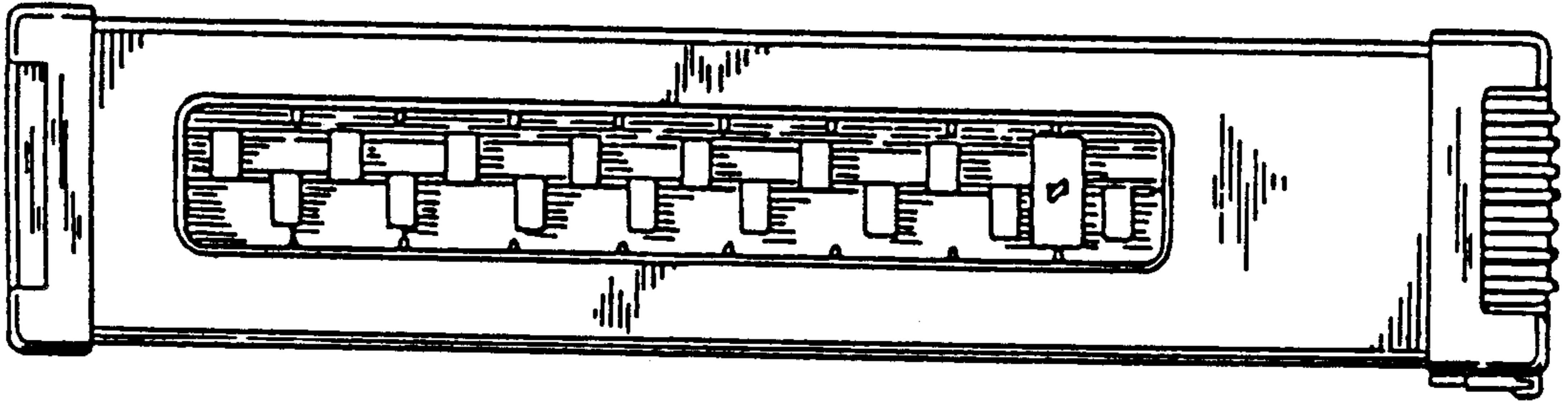


FIG-5

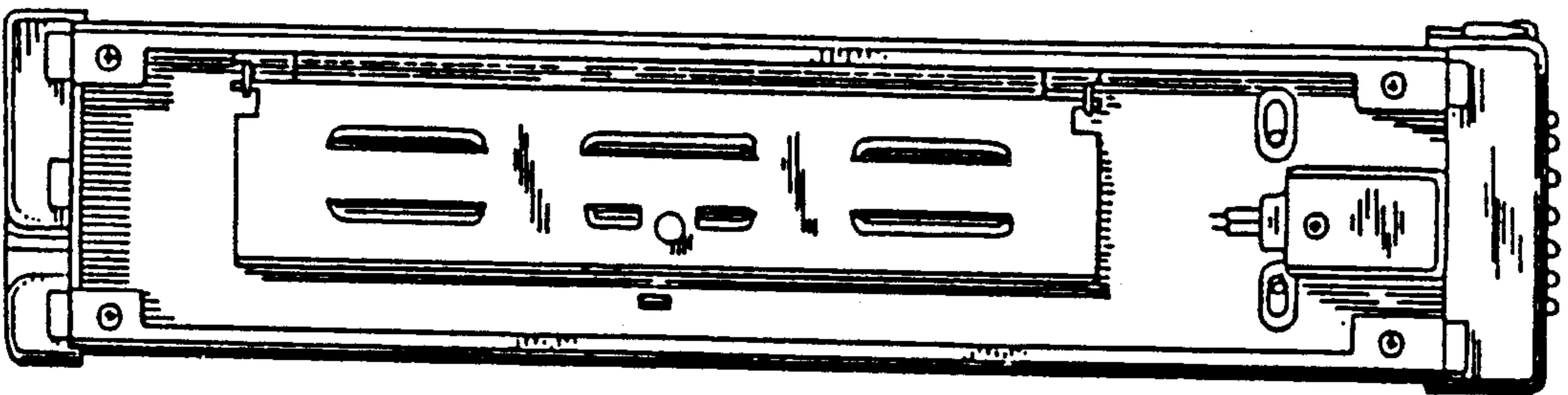


FIG-6

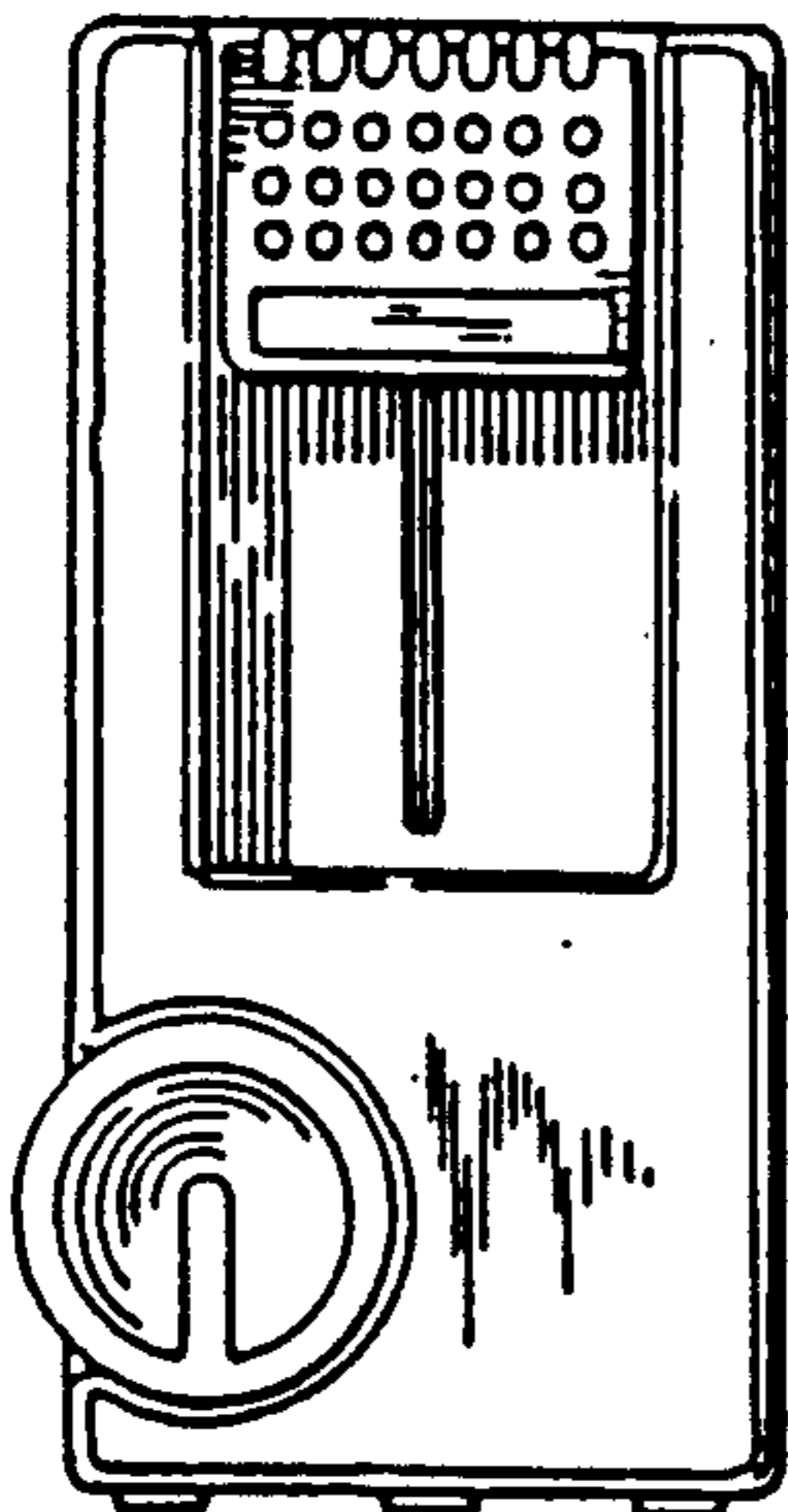


FIG-7

