

- [54] **TOILET BOWL BRUSH CADDY**
 [75] **Inventor: William E. Brazis, Medina, Ohio**
 [73] **Assignee: Rubbermaid Incorporated, Wooster, Ohio**
 [**] **Term: 14 Years**
 [21] **Appl. No.: 297,266**
 [22] **Filed: Jan. 13, 1989**
 [52] **U.S. Cl. D6/551**
 [58] **Field of Search D6/551; 206/205, 207, 206/209, 349, 361, 15.2, 15.3; 211/65; D4/116; 312/206**

[56] **References Cited**
U.S. PATENT DOCUMENTS

D. 272,874	3/1984	Cohen	D4/116 X
D. 276,291	11/1984	Boroch	D6/551 X
D. 297,292	8/1988	Plymale	D4/116 X
D. 298,712	11/1988	Mattei	D6/551
2,977,175	3/1961	Bonomo	206/15.2
3,883,197	5/1975	Reid	312/206

OTHER PUBLICATIONS
 P. 51, Croydex 1985, Bathroom & Housewares catalog, publication date unknown, WC Brush Set AJ1690.
 Pp. 32 & 33, Swiss Brush Manufacturing Co. Ltd., Ebnat-Kappel, publication date unknown, WC Sets, p. 32-33.
 Sell sheet, Coronet-Werke Heinrich Schlerf GmbH, publication date unknown, Toilet Brush Holder.
 Catalog page, Roman Dietsche KG, Toilet Brush Holder, publication date unknown.

Catalog page, EMSA, Badausstattungen, publication date unknown, Toilet Brush Holder.
 P. 15, Sabco Limited catalogue, Toilet Brush Holder, publication date unknown.
 P. 21, Rubbermaid Incorporated, 1981 Housewares catalog, Toilet Brush Holder.
 P. 30, Rubbermaid Incorporated, Housewares catalog, publication date 1986, Toilet Brush Holder.
 Sell sheet, Viking Brush Limited, publication date Feb. 1987, Toilet Brush Holder.

Primary Examiner—Wallace R. Burke
Assistant Examiner—Brian N. Vinson
Attorney, Agent, or Firm—Richard B. O'Planick

[57] **CLAIM**
 The ornamental design for a toilet bowl brush caddy, as shown and described.

DESCRIPTION
 FIG. 1 is a top, front, and right side perspective view of a toilet bowl brush holder showing my new design;
 FIG. 2 is a top, front, and right side perspective view thereof, shown in a closed position;
 FIG. 3 is an enlarged top plan view thereof, shown in a closed position;
 FIG. 4 is an enlarged bottom plan view thereof;
 FIG. 5 is an enlarged front elevational view thereof, shown in a closed position;
 FIG. 6 is an enlarged rear elevational view thereof;
 FIG. 7 is an enlarged right side elevational view thereof, shown in a closed position, with the left side being a mirror image of that shown; and
 FIG. 8 is a vertical cross-sectional view thereof, taken along the center of FIG. 5.

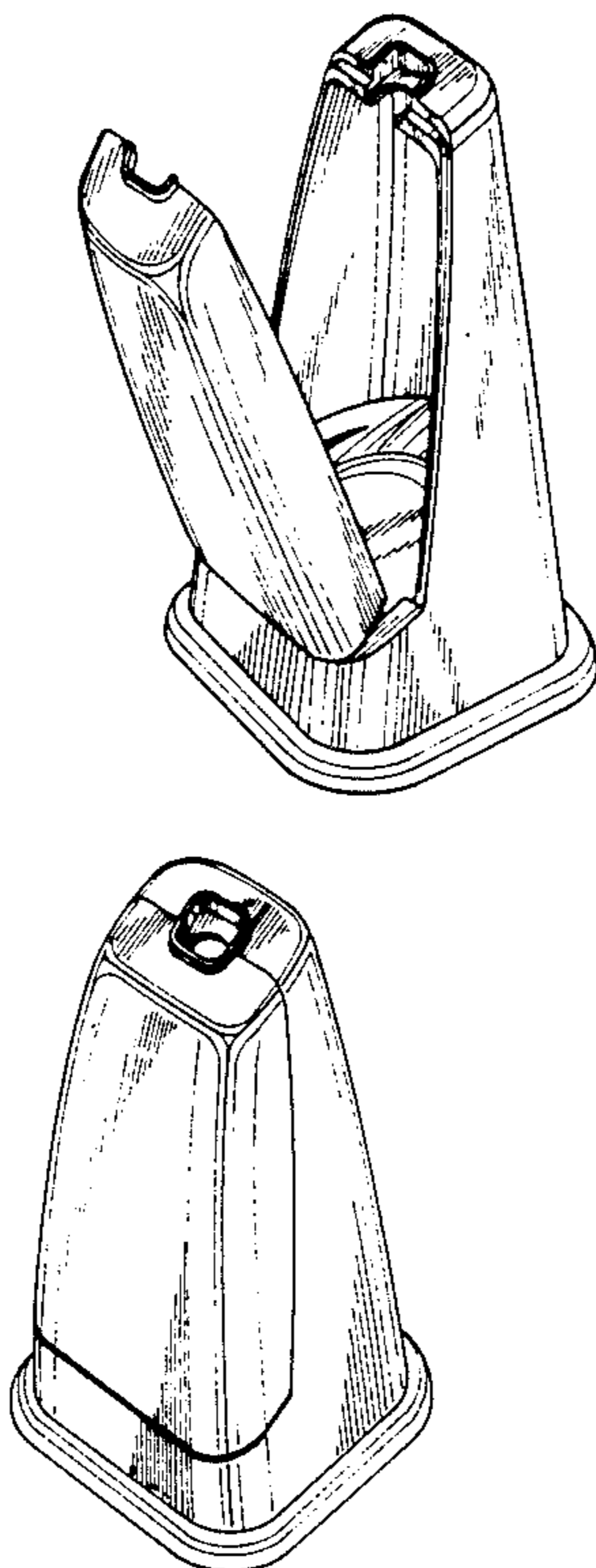


FIG. 1

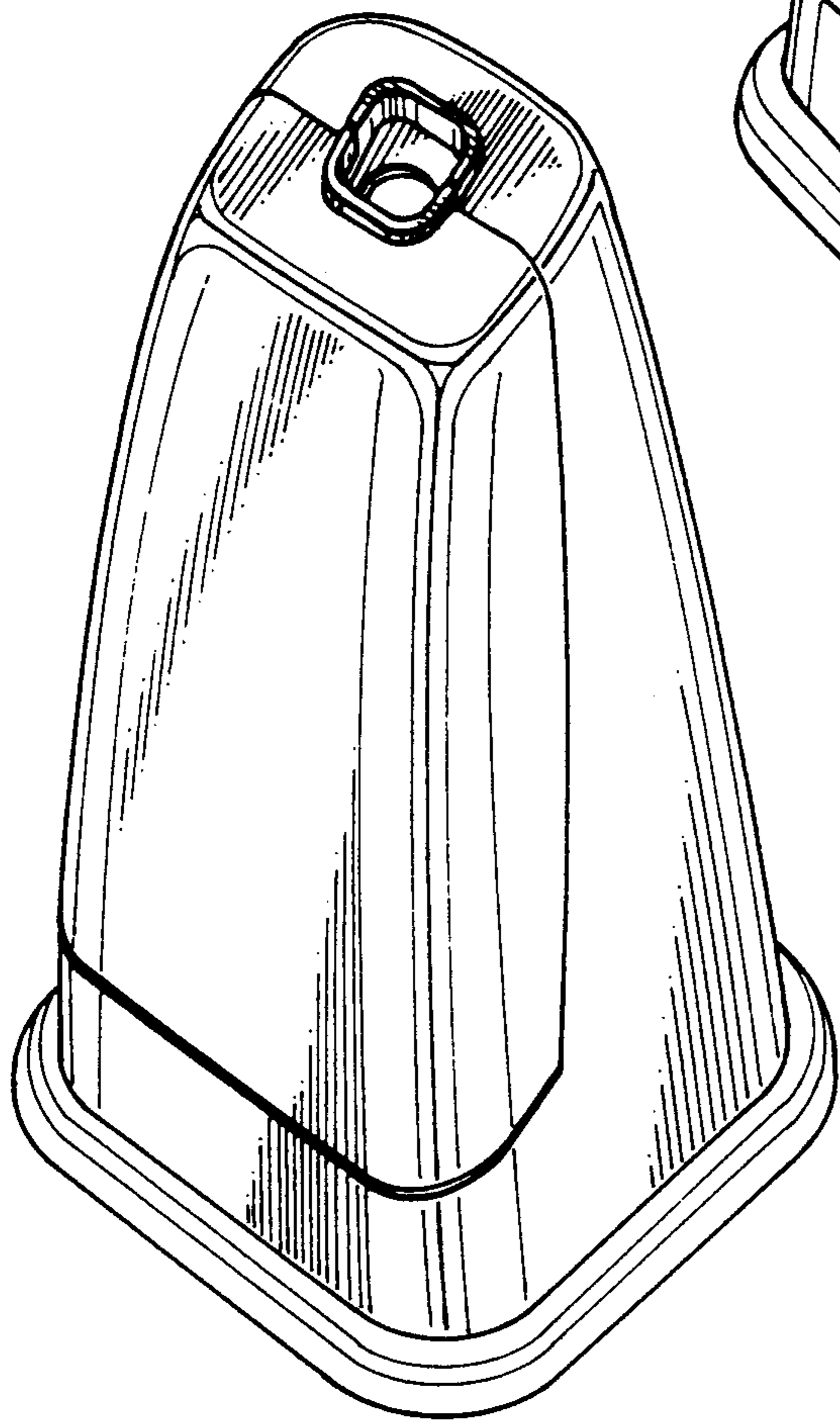
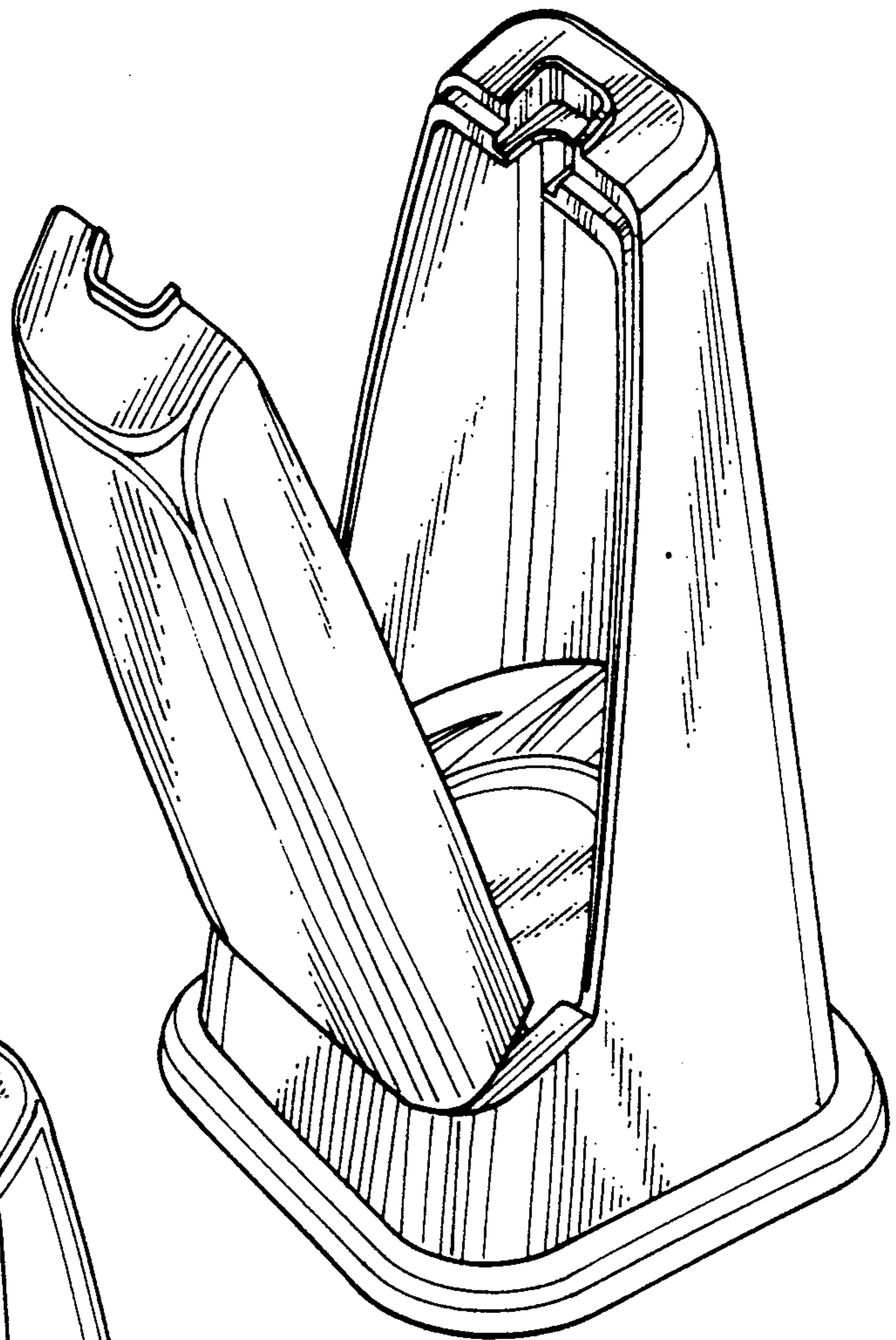


FIG. 2

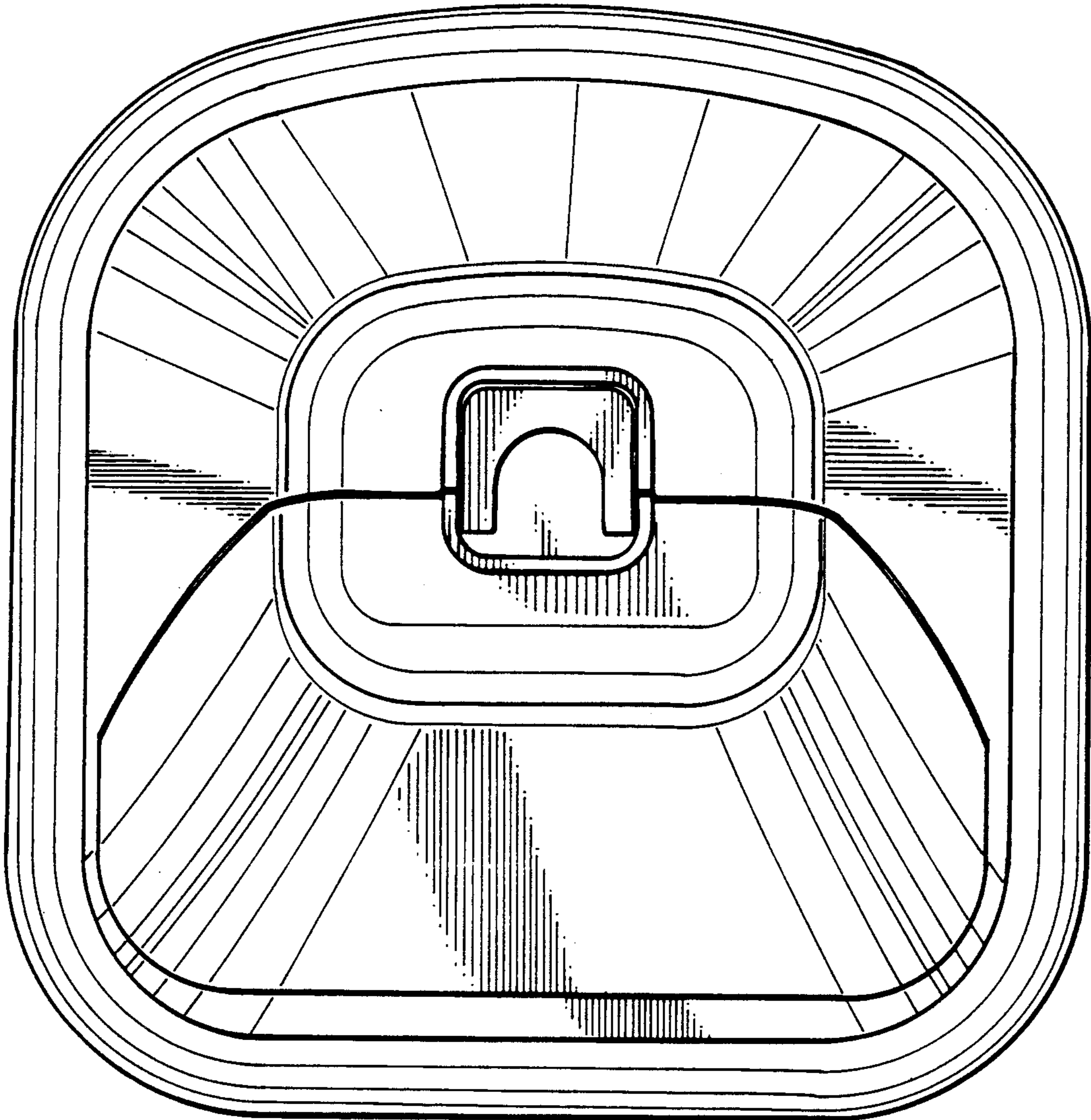


FIG. 3

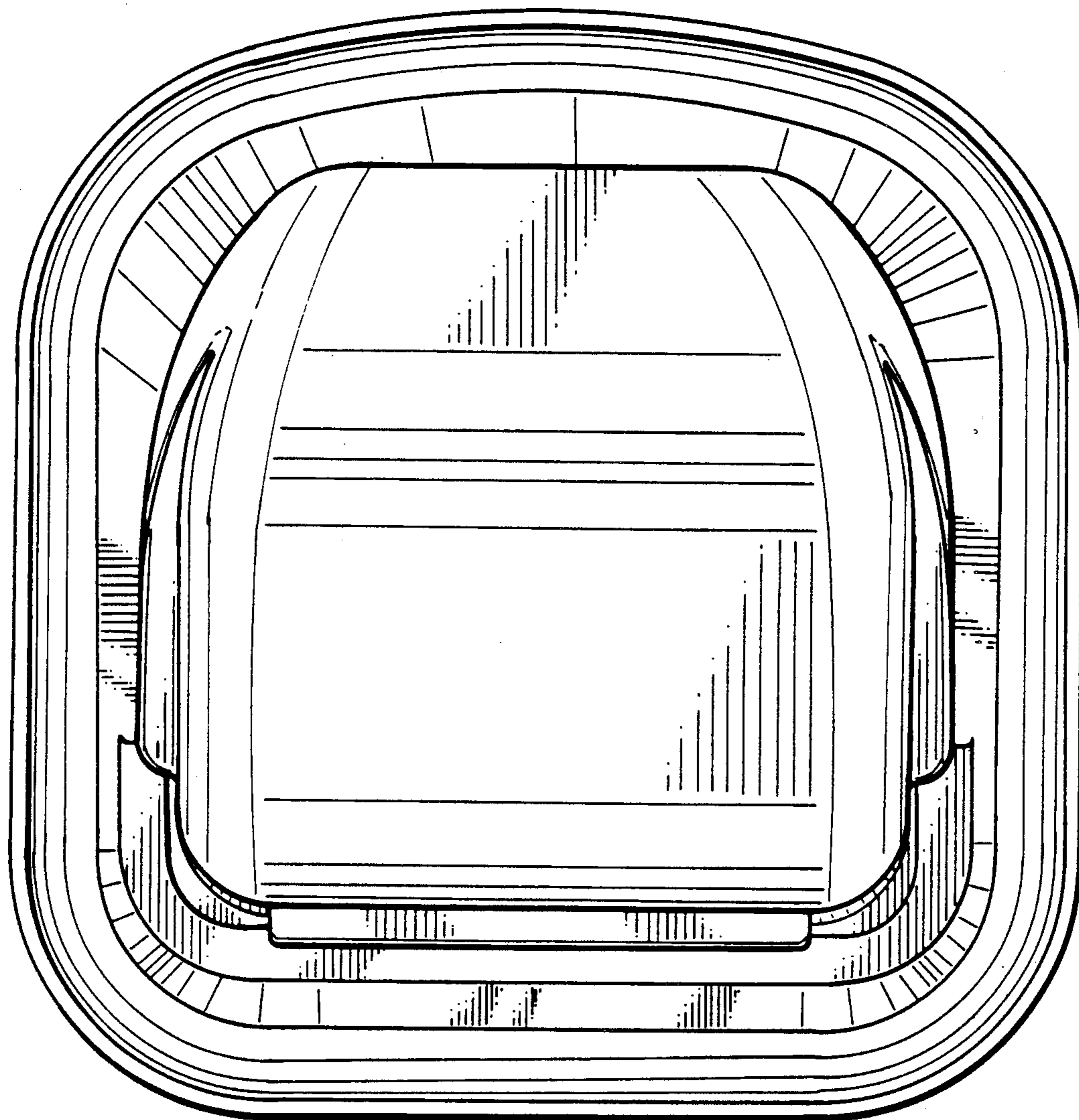


FIG. 4

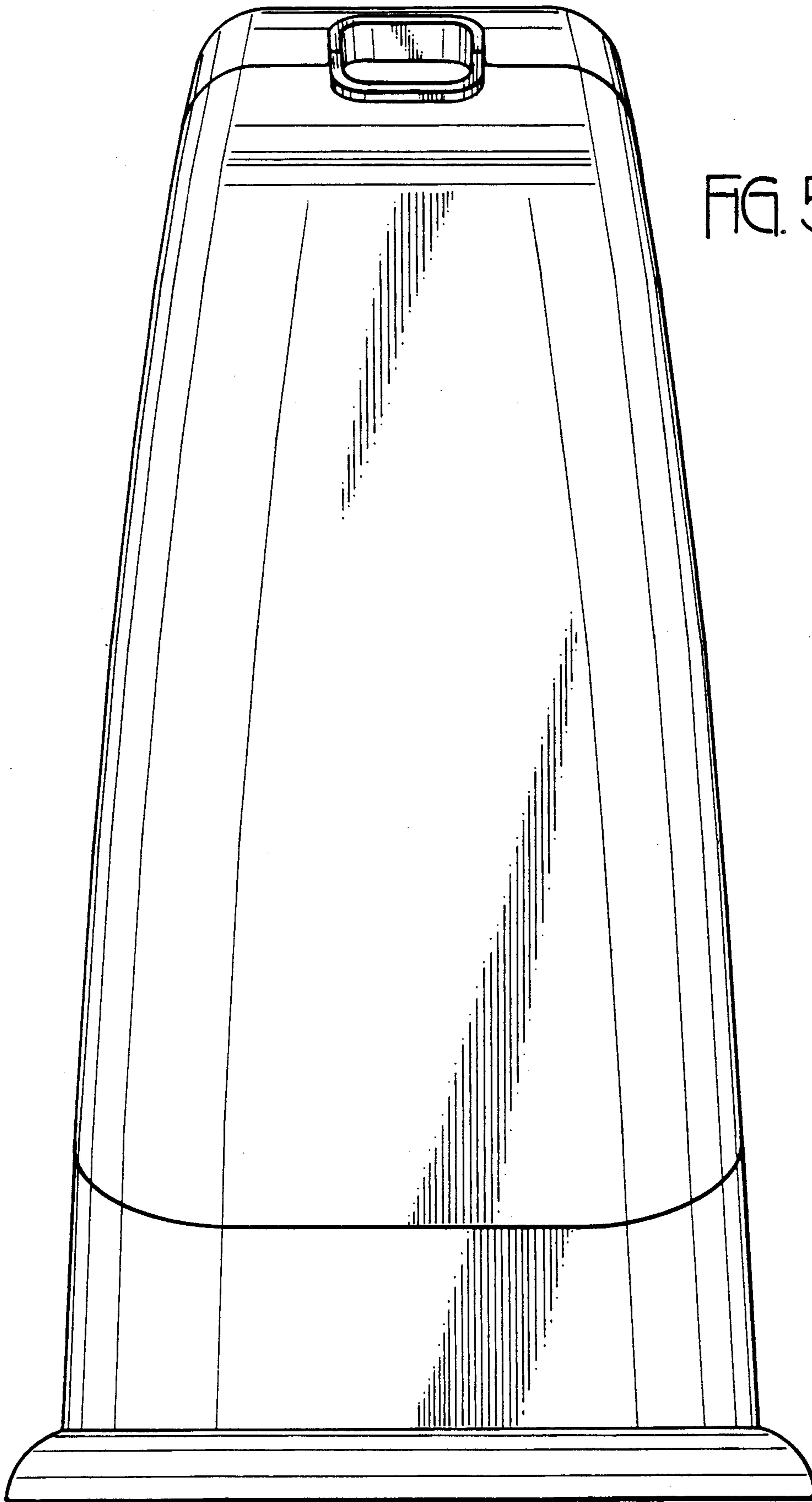


FIG. 5

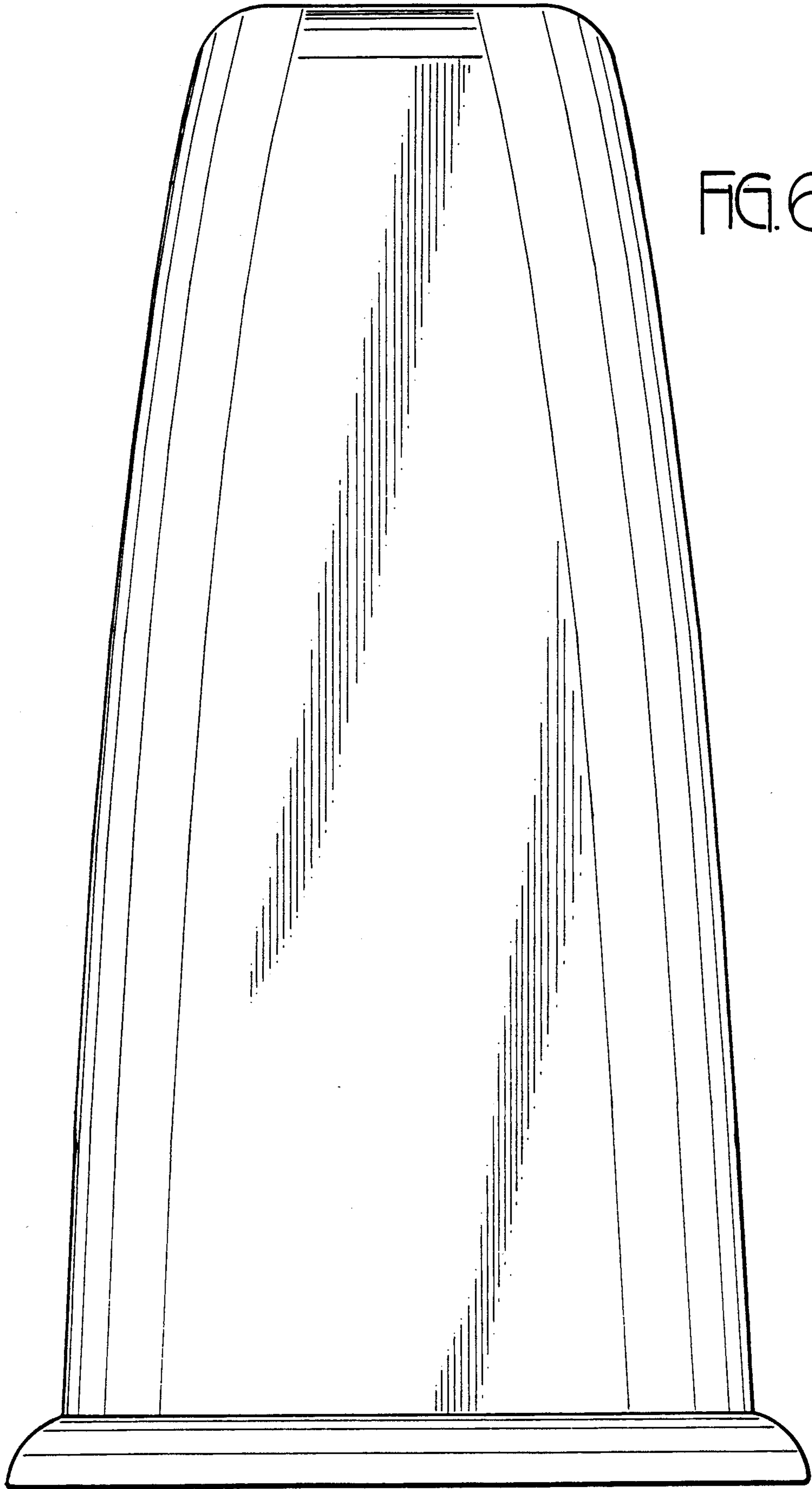


FIG. 6

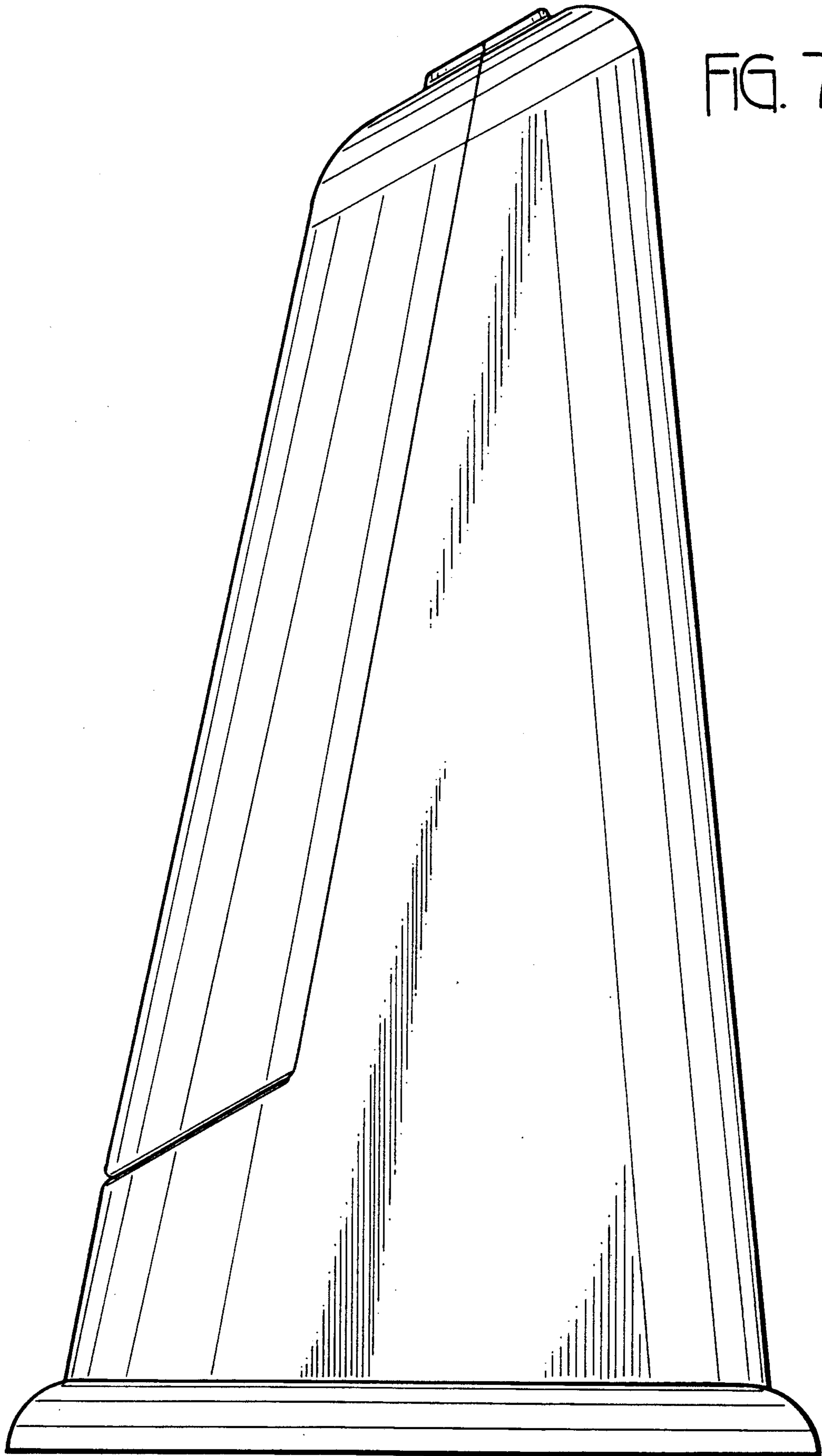


FIG. 7

FIG. 8

