

United States Patent [19]

Lindauer

[11] Patent Number: **Des. 315,268**

[45] Date of Patent: **** Mar. 12, 1991**

[54] **LIQUID SOAP DISPENSING CONTAINER**

[75] Inventor: **Jerome I. Lindauer, Hillsdale, N.J.**

[73] Assignee: **International Flavors & Fragrances, New York, N.Y.**

[**] Term: **14 Years**

[21] Appl. No.: **283,831**

[22] Filed: **Dec. 13, 1988**

[52] U.S. Cl. **D6/542; D9/307; D9/350**

[58] Field of Search **D6/512, 524, 542; D9/307, 300, 338, 349, 350, 370-371, 403, 410, 424-426, 433; 222/105, 173, 630-633, 372, 490, 572; D28/76; 206/77.1**

[56] **References Cited**

U.S. PATENT DOCUMENTS

D. 271,165 11/1983 Lander D6/545
2,067,601 1/1937 Dobkin D6/545 X
2,210,297 8/1940 Klok D6/542 X
2,603,032 7/1952 Huber 206/77.1 X

2,752,724 7/1956 Carpenter 206/77.1 X
4,413,757 11/1983 Adler 222/105
4,795,063 1/1989 Sekiguchi et al. 222/105

FOREIGN PATENT DOCUMENTS

152826 2/1932 Switzerland 206/77.1

Primary Examiner—Wallace R. Burke

Assistant Examiner—Brian N. Vinson

[57] **CLAIM**

The ornamental design for a liquid soap dispensing container, as shown and described.

DESCRIPTION

FIG. 1 is a top, front, and right side perspective view of a liquid soap dispensing container showing my new design;

FIG. 2 is a top plan view thereof;

FIG. 3 is a bottom plan view thereof;

FIG. 4 is a side elevational view thereof;

FIG. 5 is an opposite side elevational view thereof; and

FIG. 6 is a front elevational view thereof, the rear being identical in appearance.

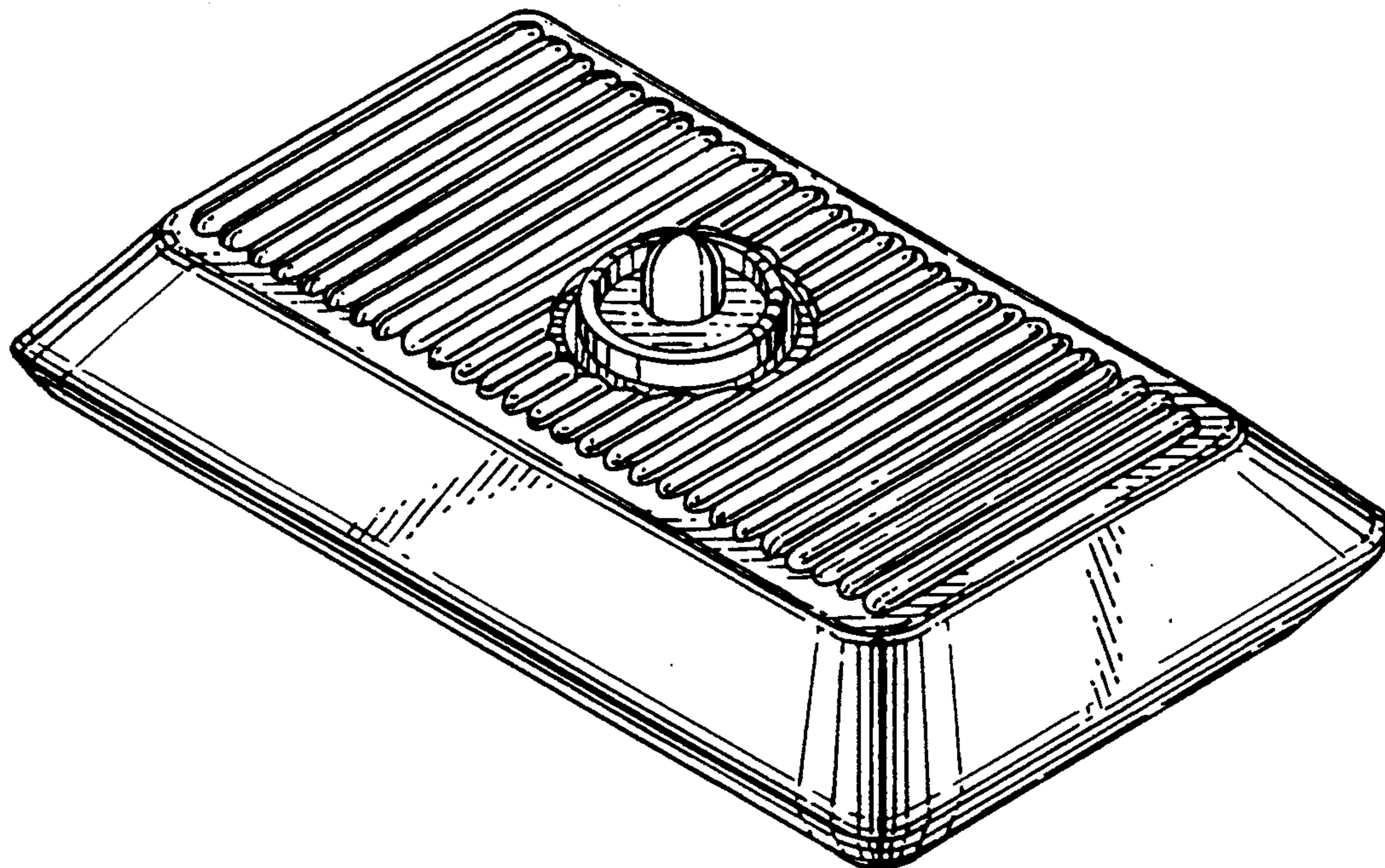


FIG. 1

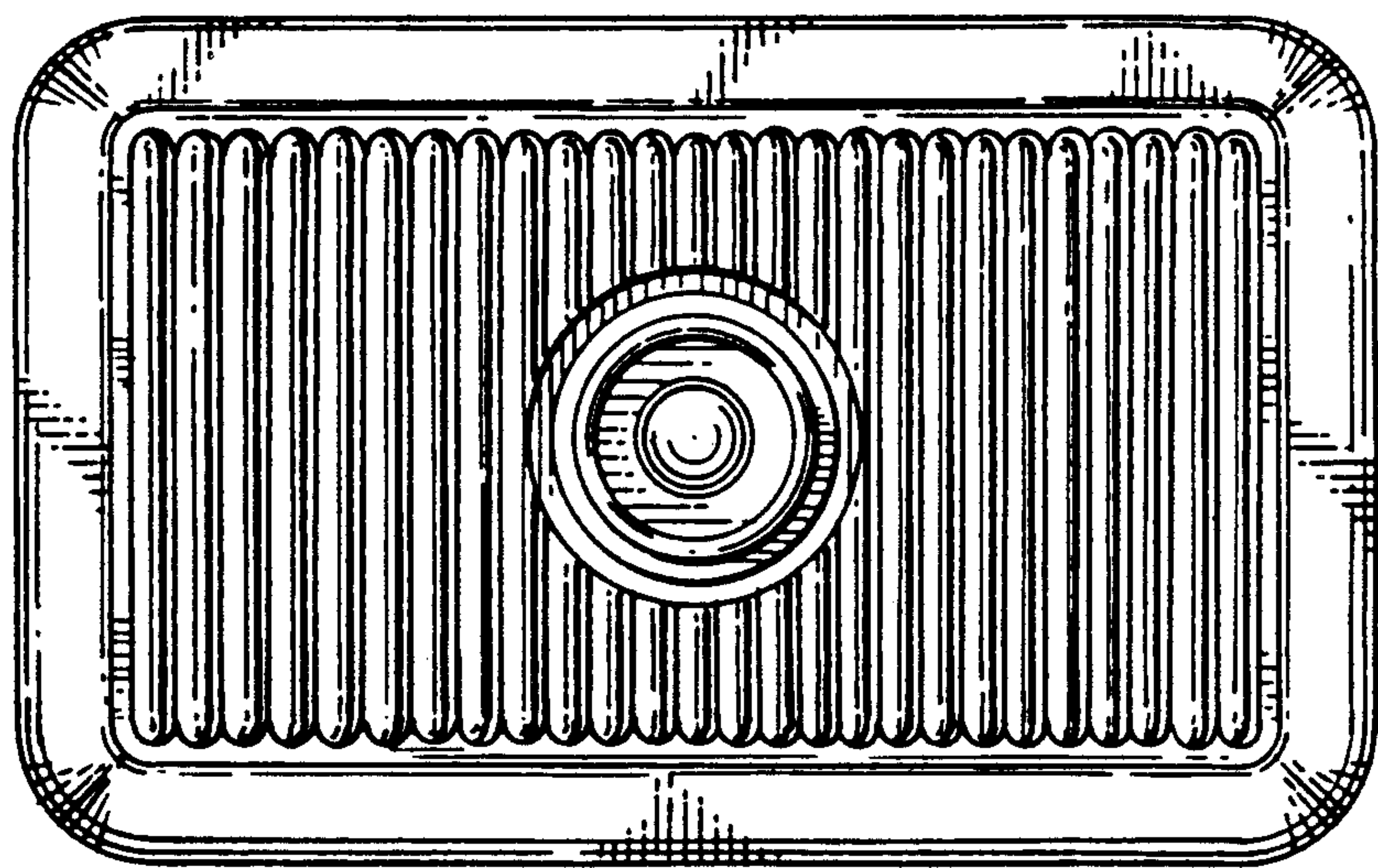
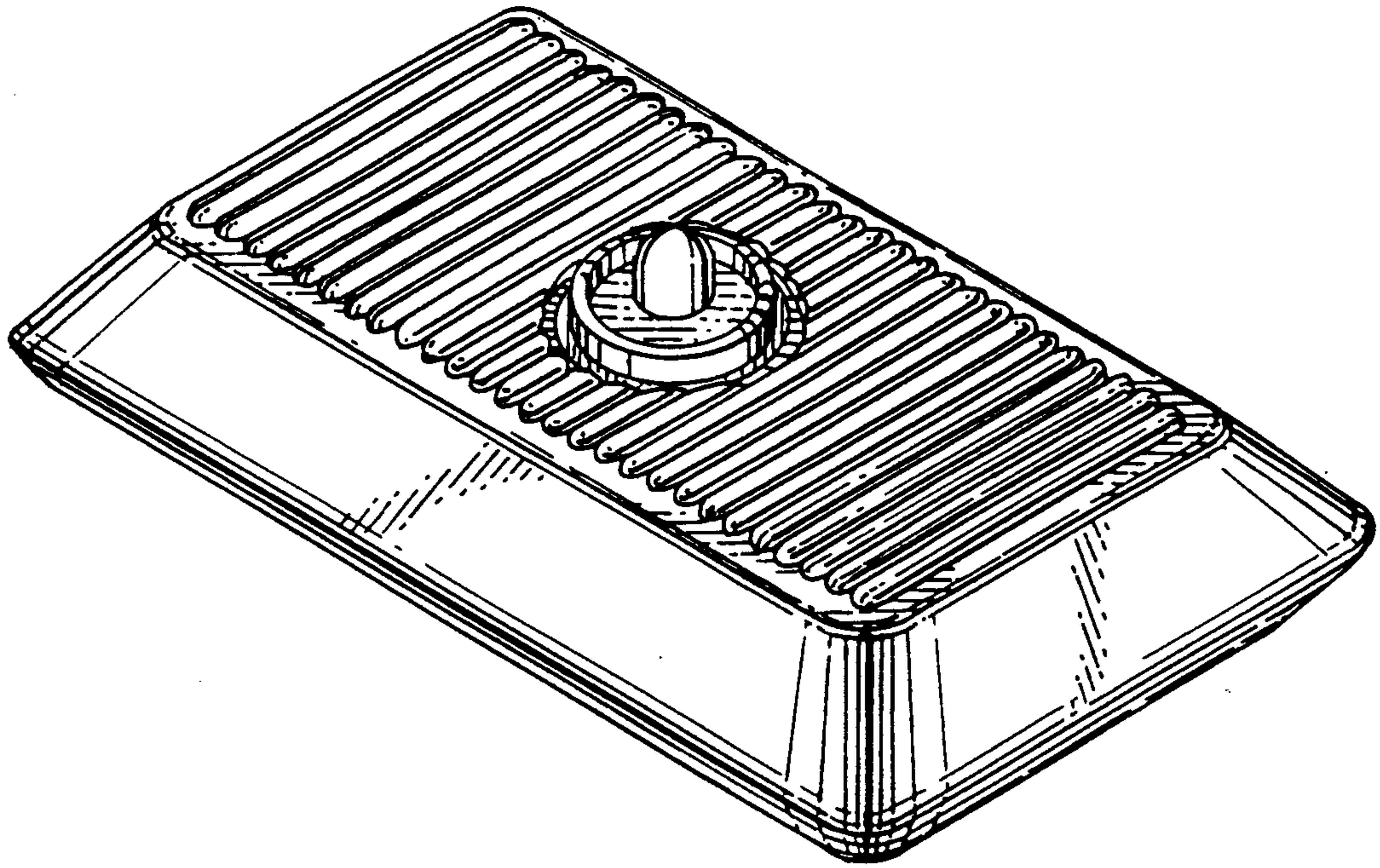


FIG. 2

FIG. 3

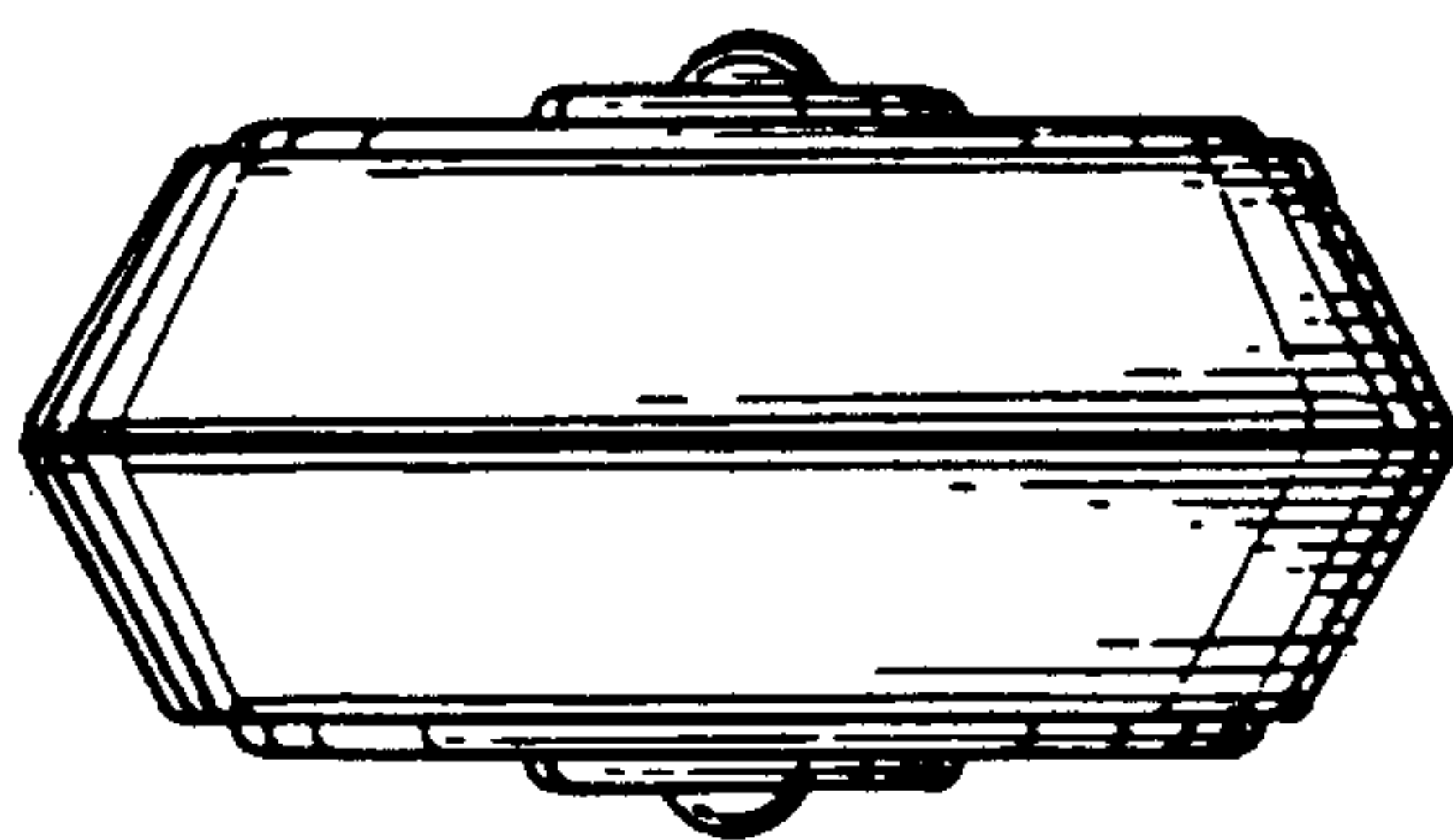
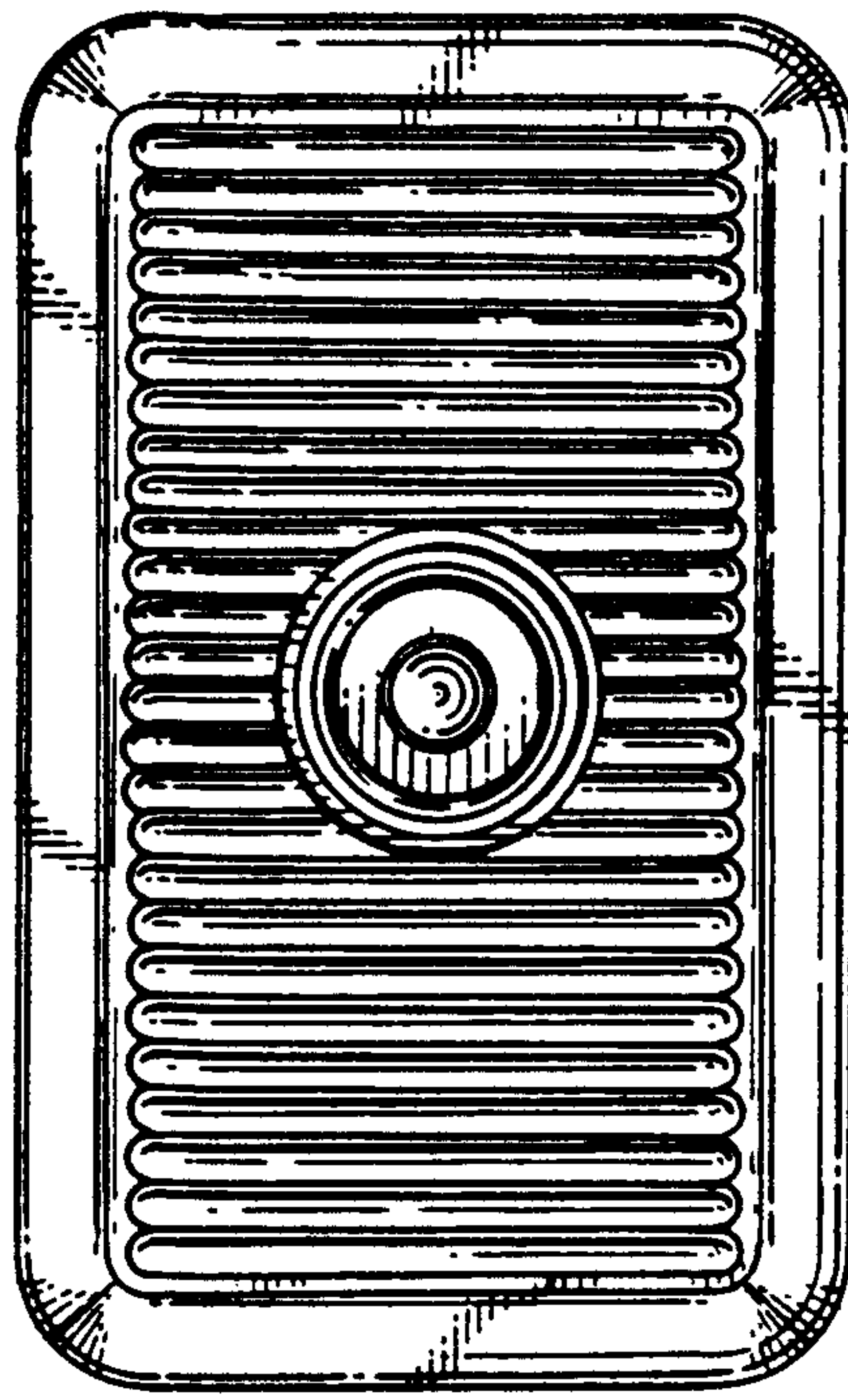


FIG. 4

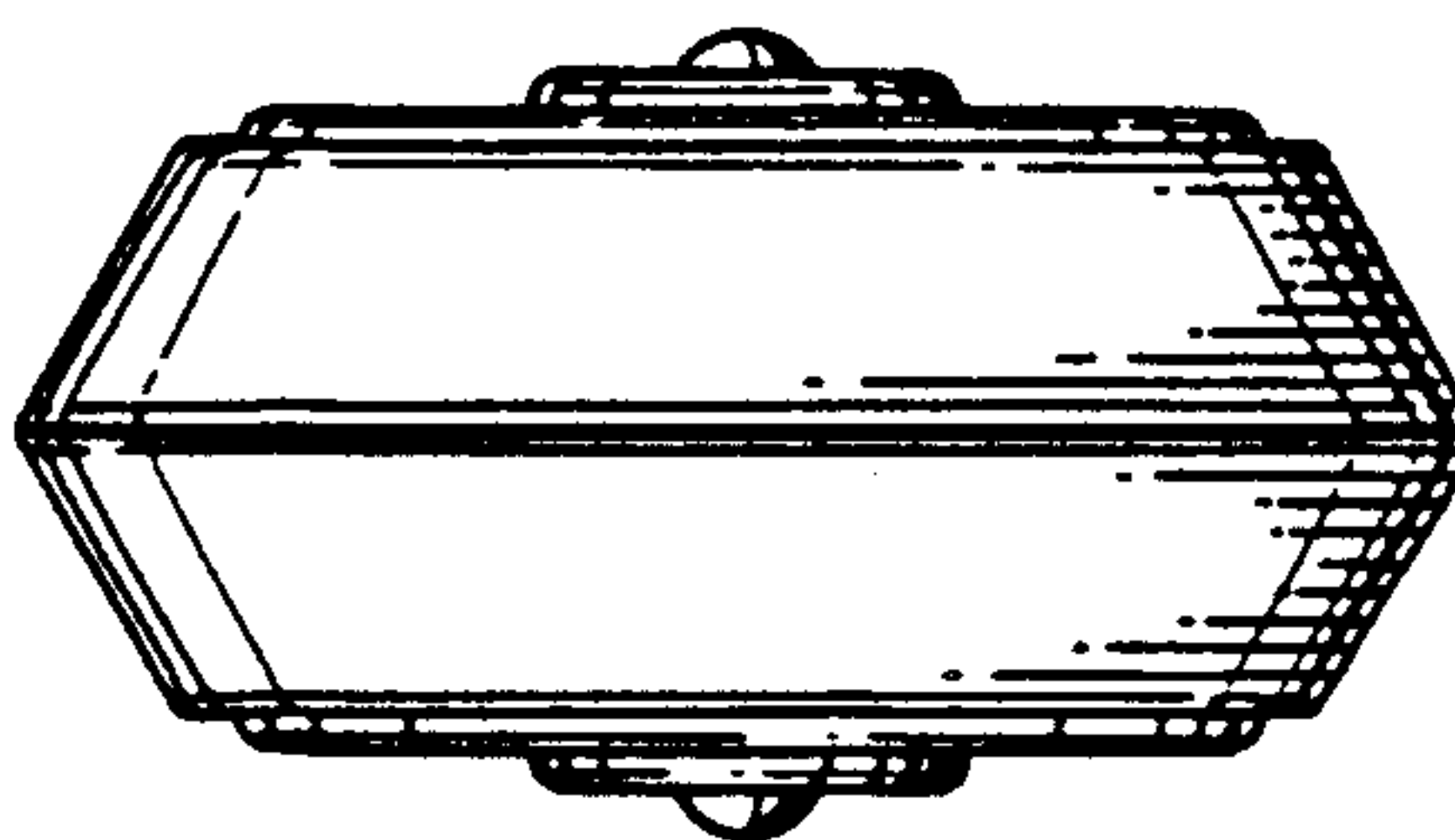


FIG. 5

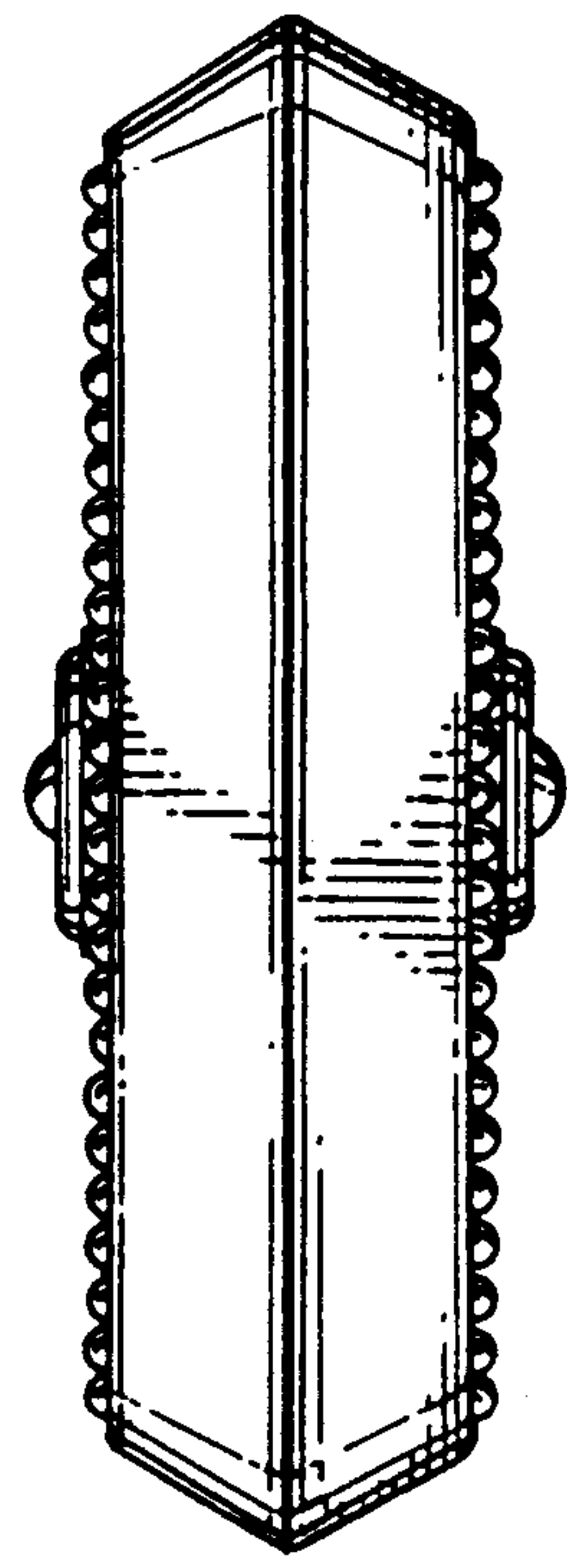


FIG. 6