

# United States Patent [19]

Rives et al.

[11] Patent Number: **Des. 315,264**

[45] Date of Patent: **\*\* Mar. 12, 1991**

[54] **BABY BOTTLE HOLDER**

[75] Inventors: **Paul W. Rives, Roy; John B. Sereika,**  
Brigham City, both of Utah

[73] Assignee: **Third Hand Corporation,** Brigham  
City, Utah

[\*\*] Term: **14 Years**

[21] Appl. No.: **123,985**

[22] Filed: **Nov. 23, 1987**

[52] U.S. Cl. .... **D6/466; D6/449**

[58] Field of Search ..... **D6/462, 466, 473, 449;**  
**D7/619; 248/103, 102, 105**

[56] **References Cited**

**U.S. PATENT DOCUMENTS**

D. 44,476	8/1913	Hallett	.....	D6/466
D. 63,054	9/1923	Lallace	.....	D6/473 X
2,638,296	5/1953	Battle	.....	248/105

2,890,007	6/1959	Rutledge, Sr.	.....	248/105
4,014,505	3/1977	Dowd	.....	248/105
4,309,008	1/1982	Sirks	.....	248/105
4,405,106	9/1983	Adler	.....	248/102

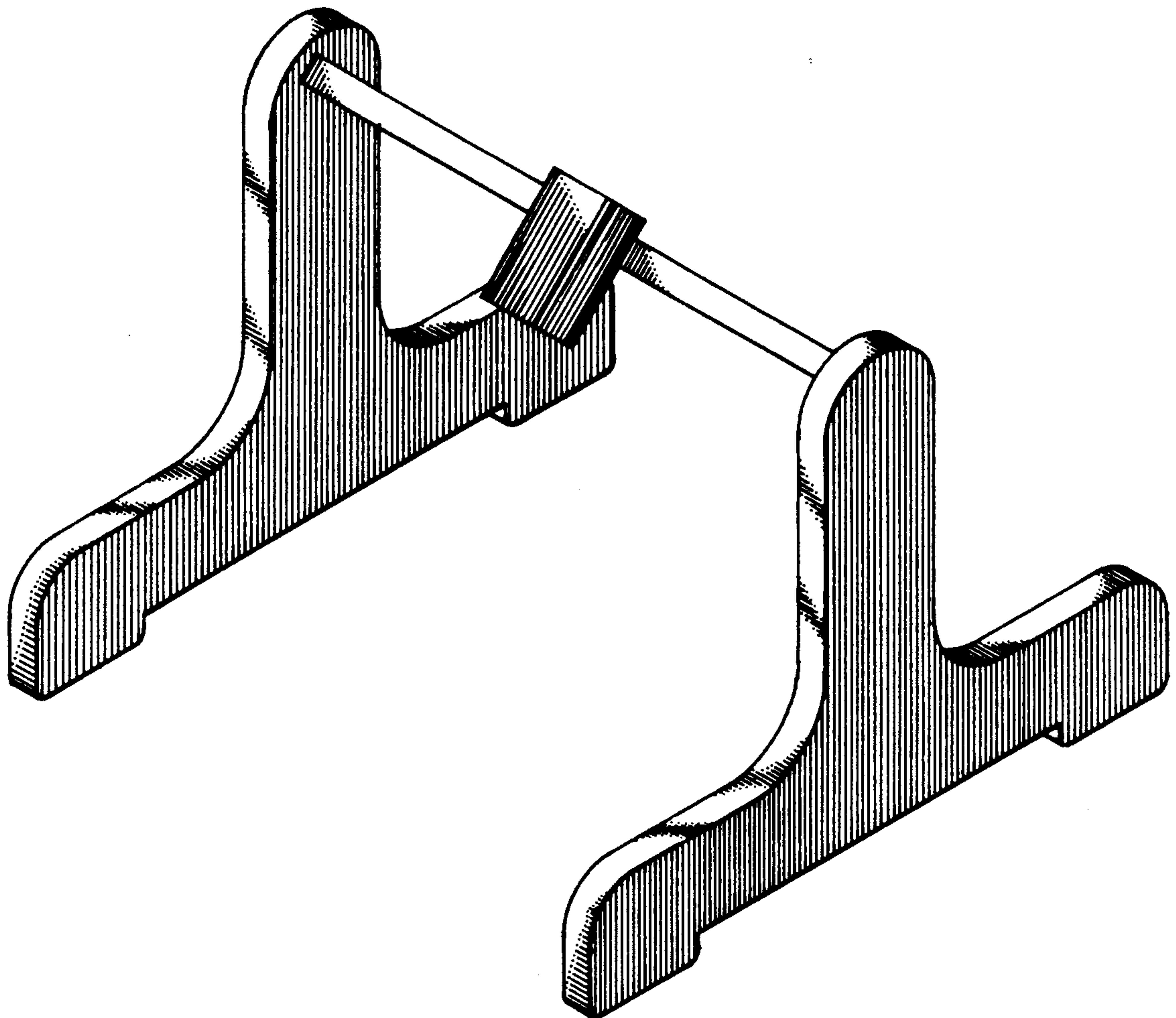
*Primary Examiner*—Bruce W. Dunkins  
*Assistant Examiner*—Jeffrey Asch  
*Attorney, Agent, or Firm*—Terry M. Crellin

[57] **CLAIM**

The ornamental design for a baby bottle holder, as shown and described.

**DESCRIPTION**

FIG. 1 is a perspective view of a baby bottle holder showing our new design;  
FIG. 2 is a top plan view thereof;  
FIG. 3 is a front elevational view thereof;  
FIG. 4 is a rear elevational view thereof;  
FIG. 5 is a right side elevational view thereof and  
FIG. 6 is a left side elevational view thereof.



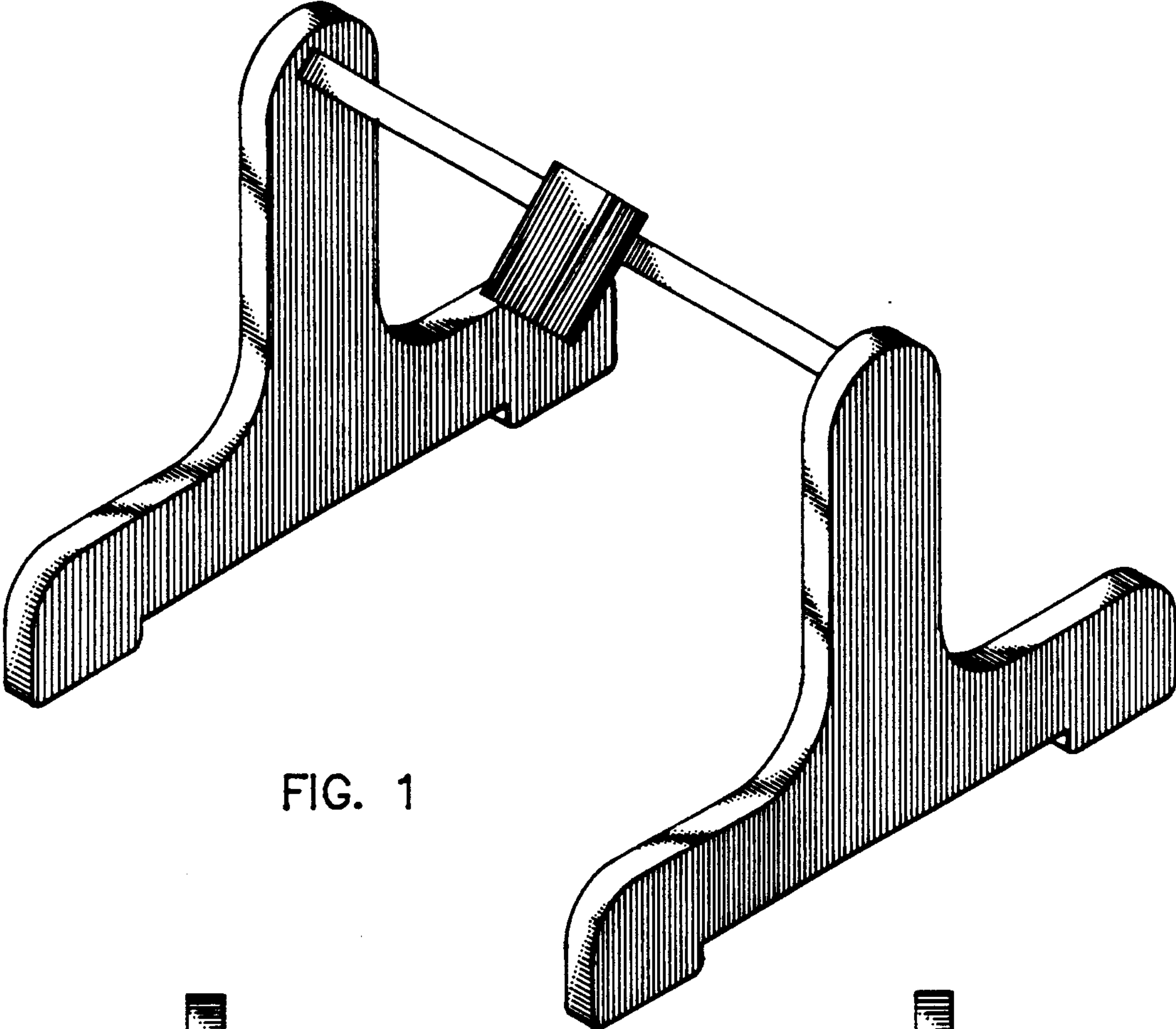


FIG. 1

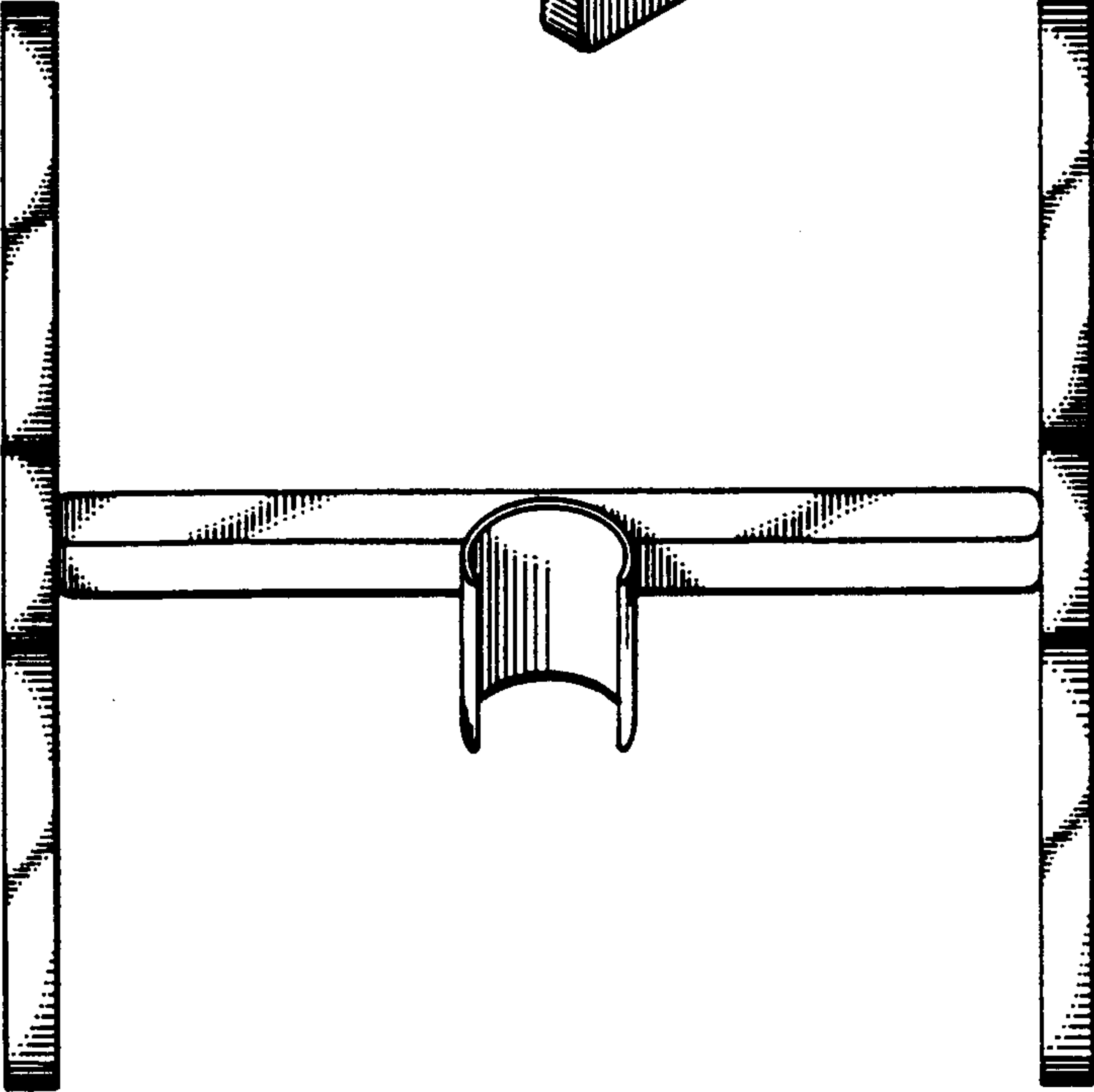


FIG. 2

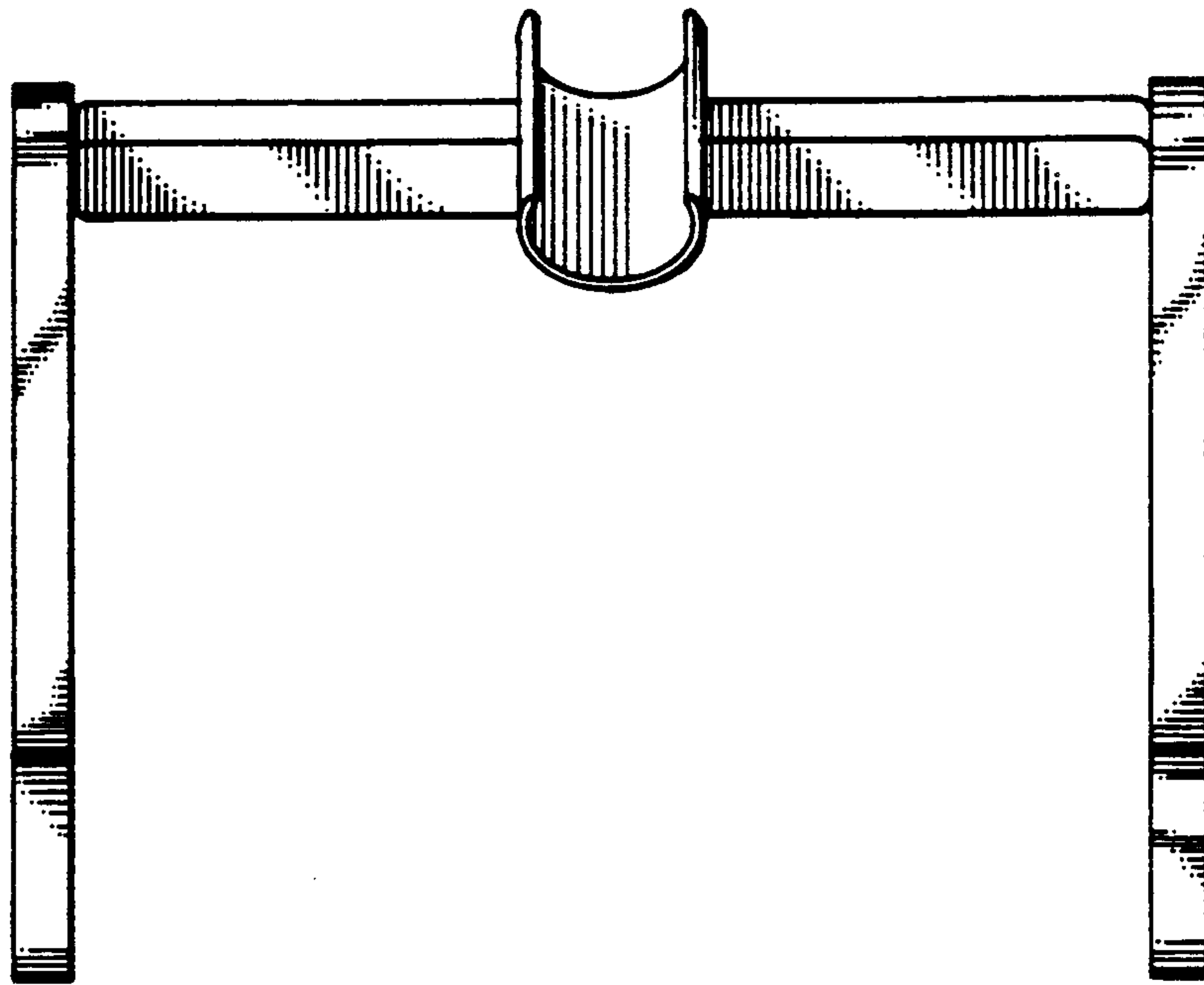


FIG. 3

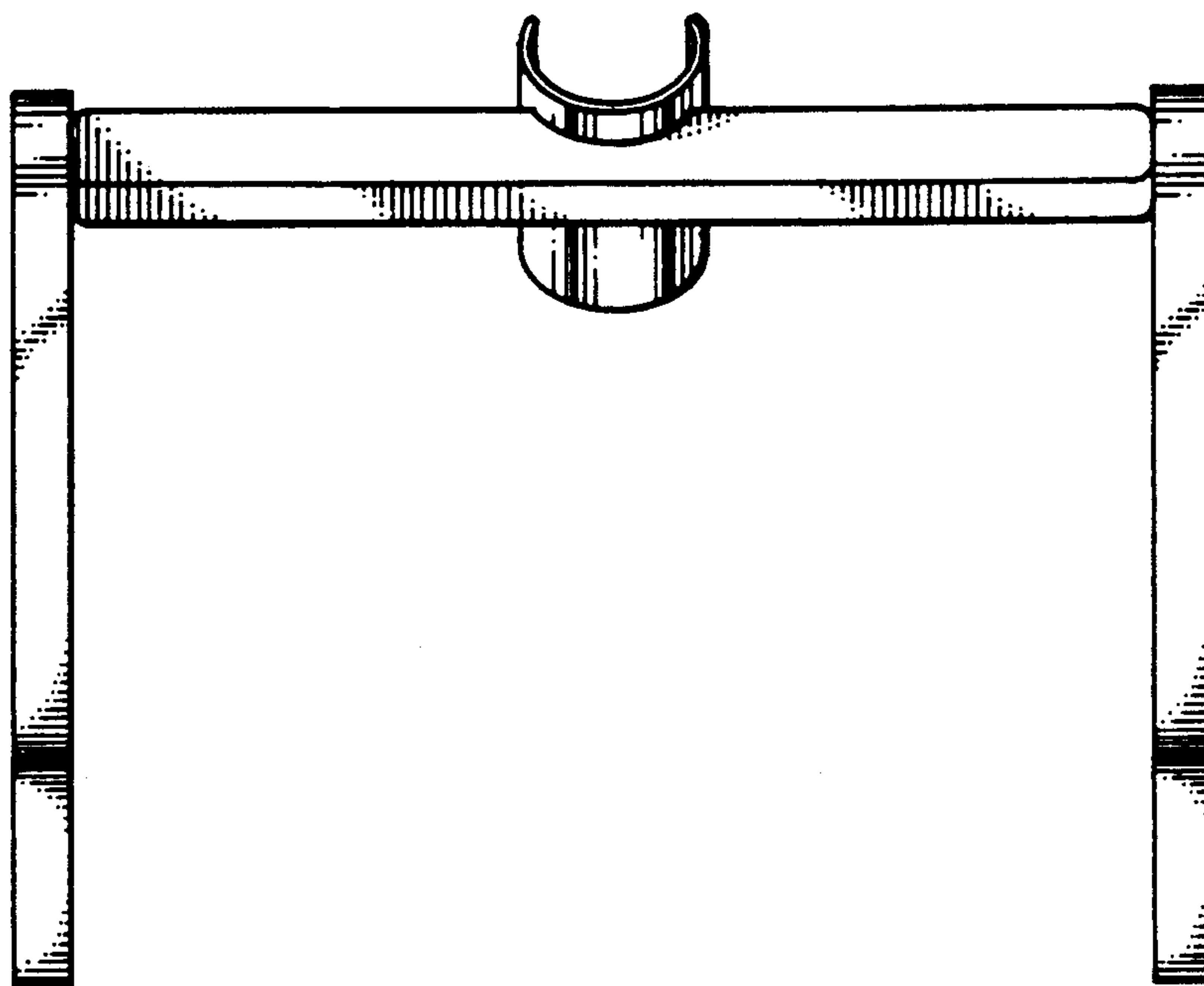


FIG. 4

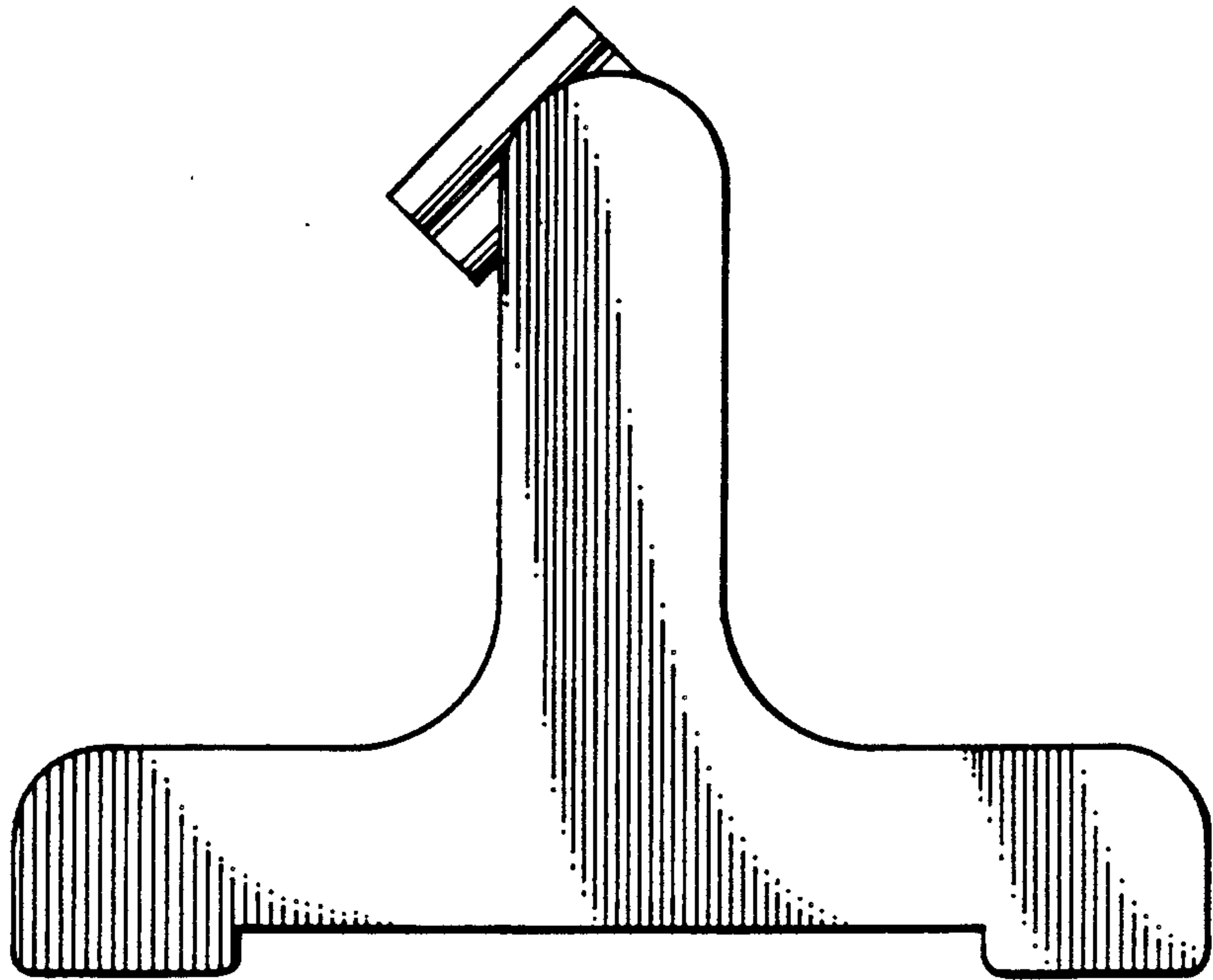


FIG. 5

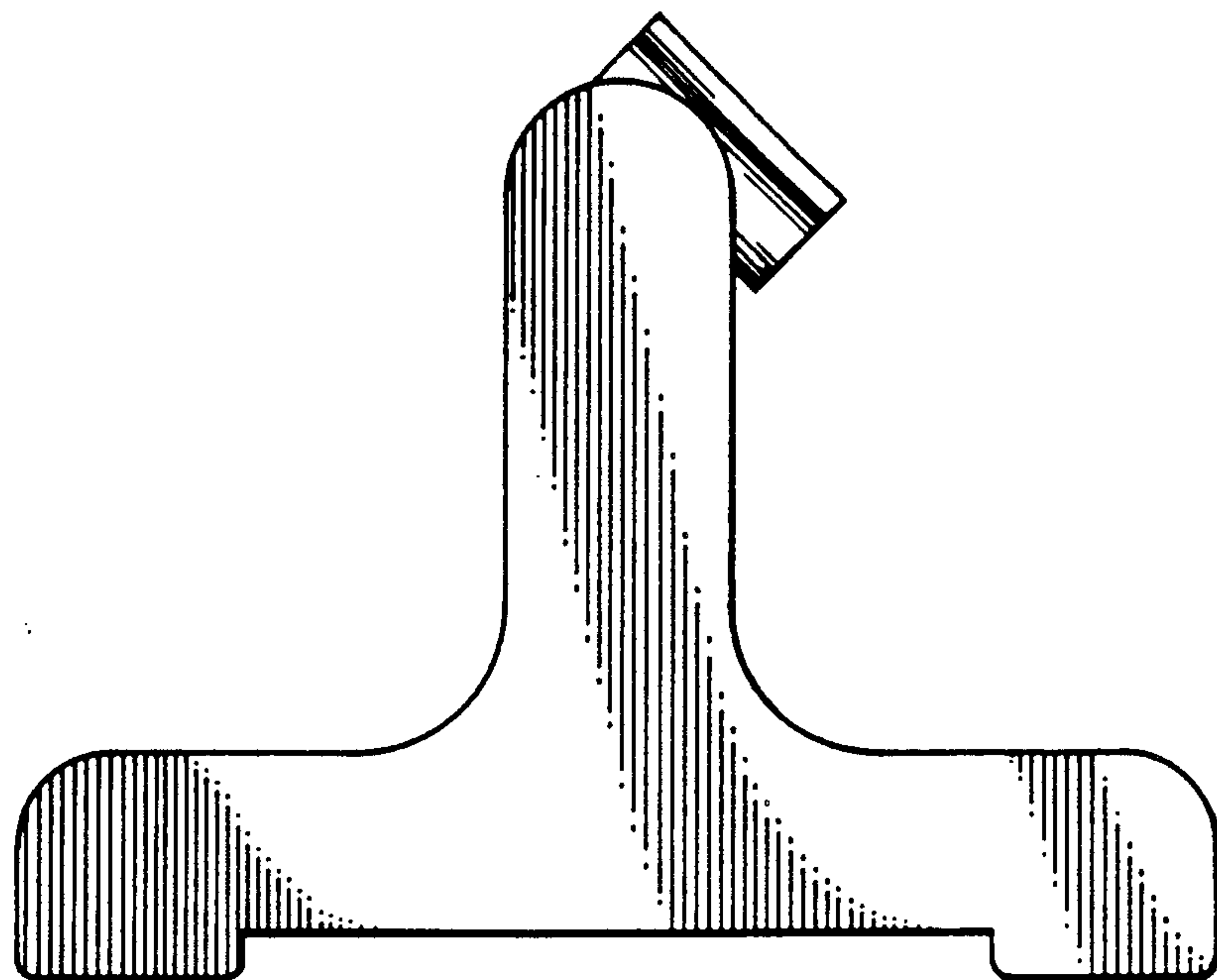


FIG. 6