

- [54] **STORAGE RACK FOR PORTABLE CONTAINER**
- [75] **Inventor: Henry B. David, Woodland Hills, Calif.**
- [73] **Assignee: Melco Wire Products Company, Glendale, Calif.**
- [**] **Term: 14 Years**
- [21] **Appl. No.: 115,183**
- [22] **Filed: Nov. 2, 1987**
- [52] **U.S. Cl. D6/462; D6/467**
- [58] **Field of Search D6/397, 407, 408, 418, D6/419, 429, 430, 450, 458, 462-468; D34/6, 40, 42, 45, 46; D32/55, 56, 58; 211/181; 248/175**
- [56] **References Cited**
U.S. PATENT DOCUMENTS
D. 189,093 10/1960 Chapman D6/462 X

- D. 189,356 11/1960 Kolkey D6/462
D. 290,792 7/1987 Kester D6/462 X
1,994,195 3/1935 Hay D6/462 X
2,662,662 12/1953 Moorhead D32/55 X
2,930,486 3/1960 Hoover D6/462 X

Primary Examiner—Bruce W. Dunkins
Assistant Examiner—Jeffrey Asch

[57] **CLAIM**

The ornamental design for a storage rack for portable containers, as shown and described.

DESCRIPTION

FIG. 1 is a top plan view of a storage rack for portable containers showing my new design;
FIG. 2 is a bottom plan view thereof;
FIG. 3 is a front elevational view thereof, the rear being identical in appearance;
FIG. 4 is a right side elevational view thereof, the left side being identical in appearance.
FIG. 5 is a perspective view thereof.

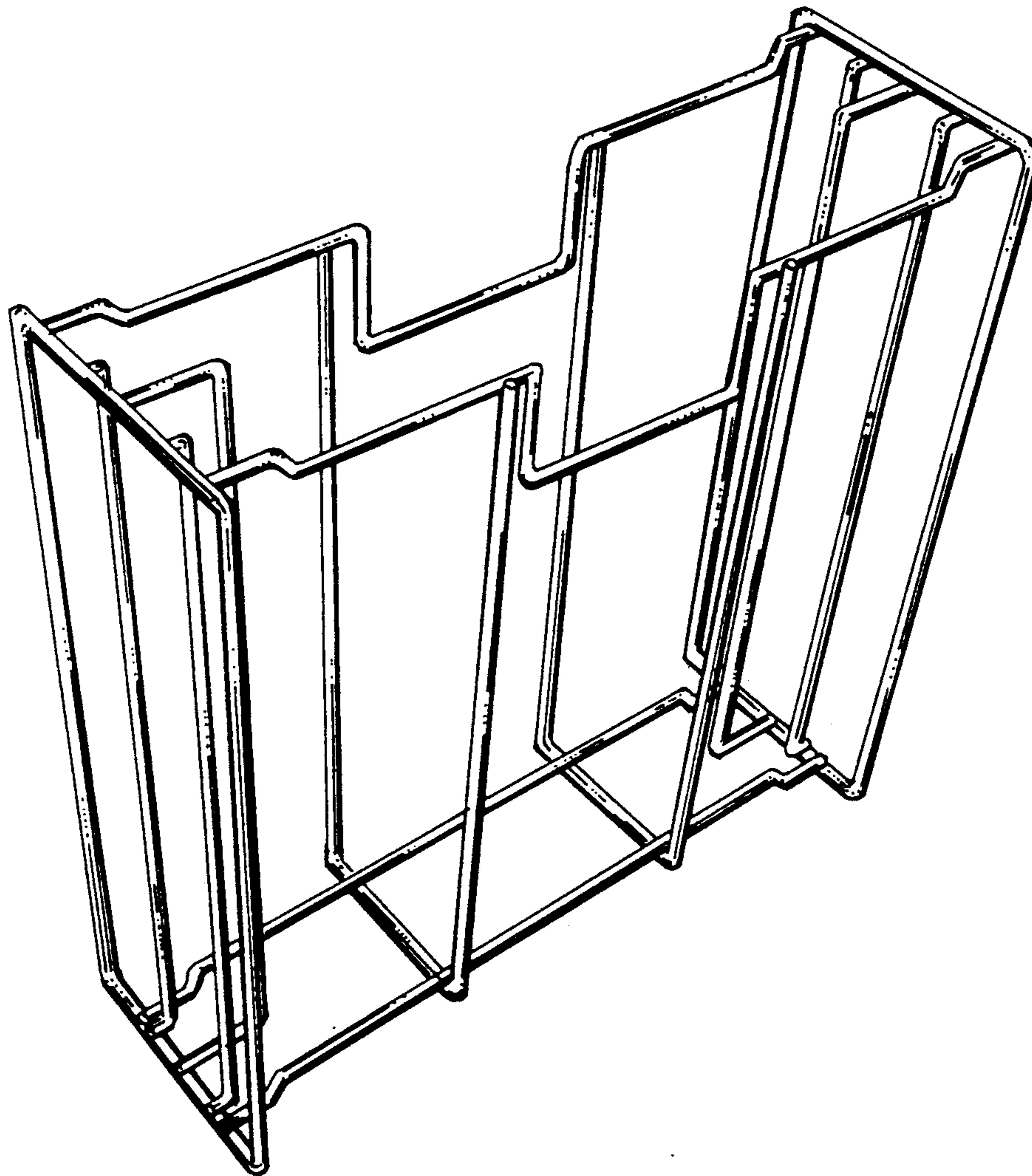


FIG. 1

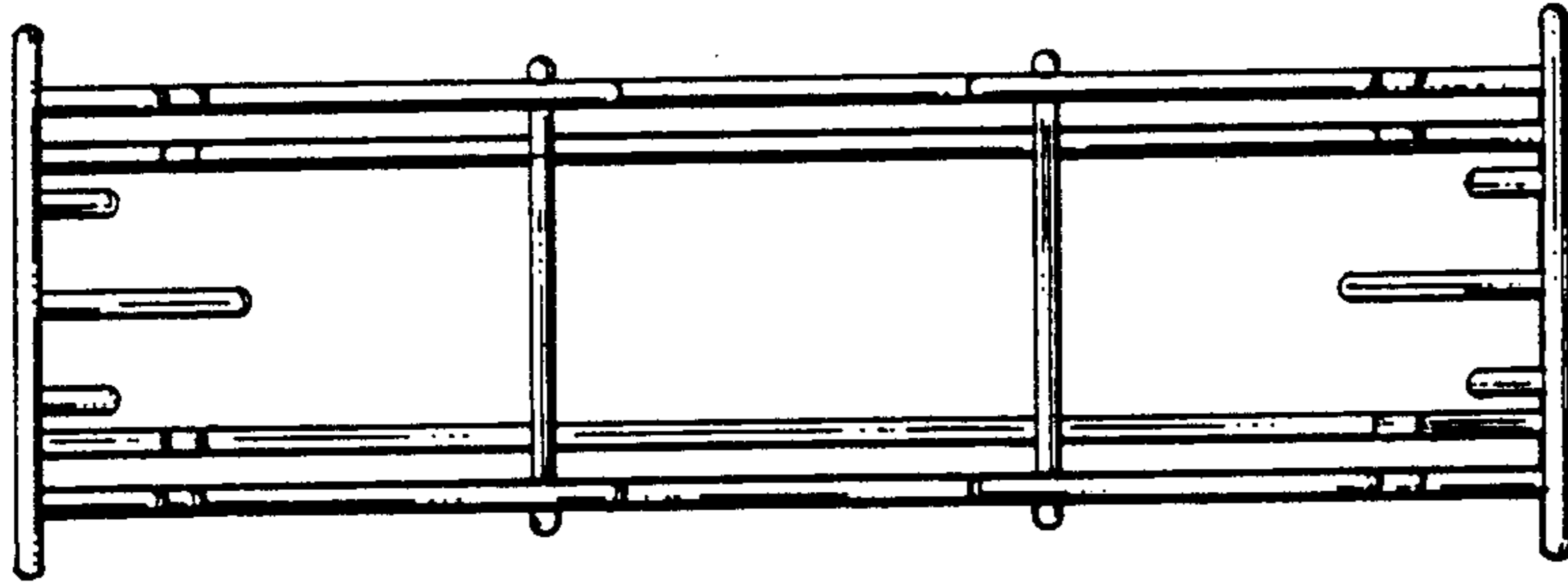


FIG. 2

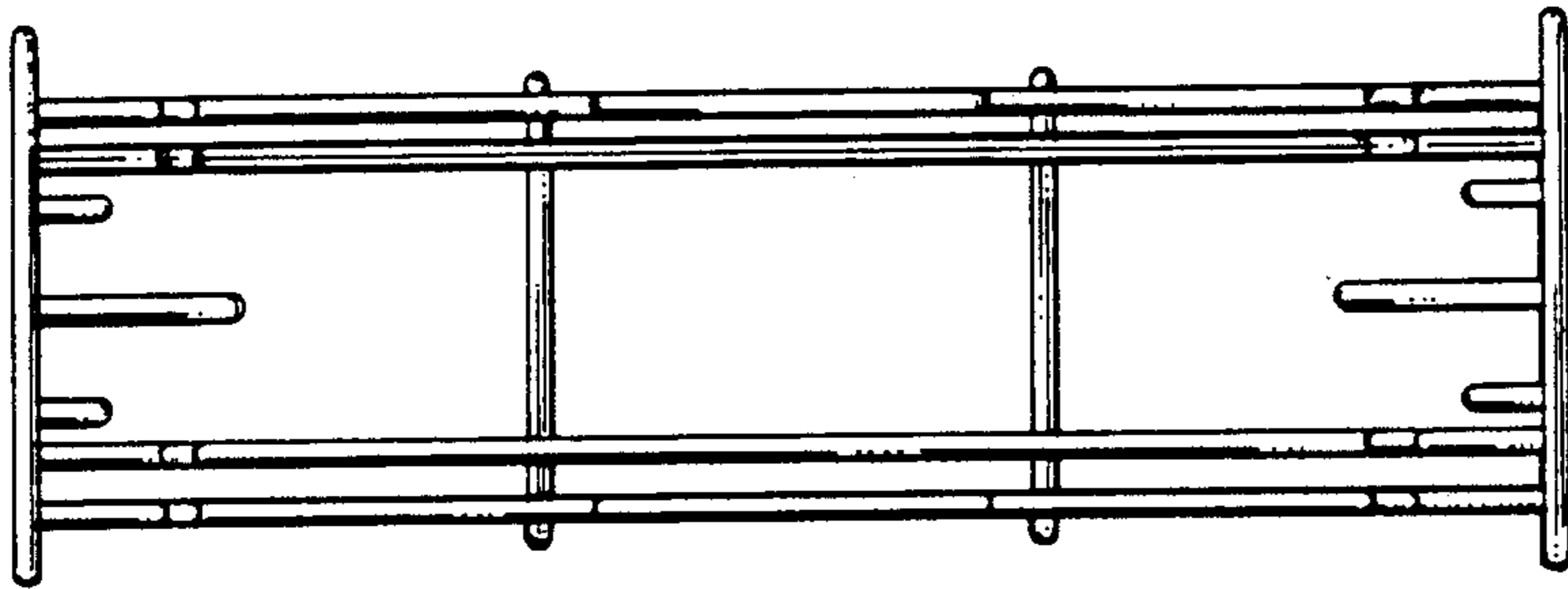


FIG. 3

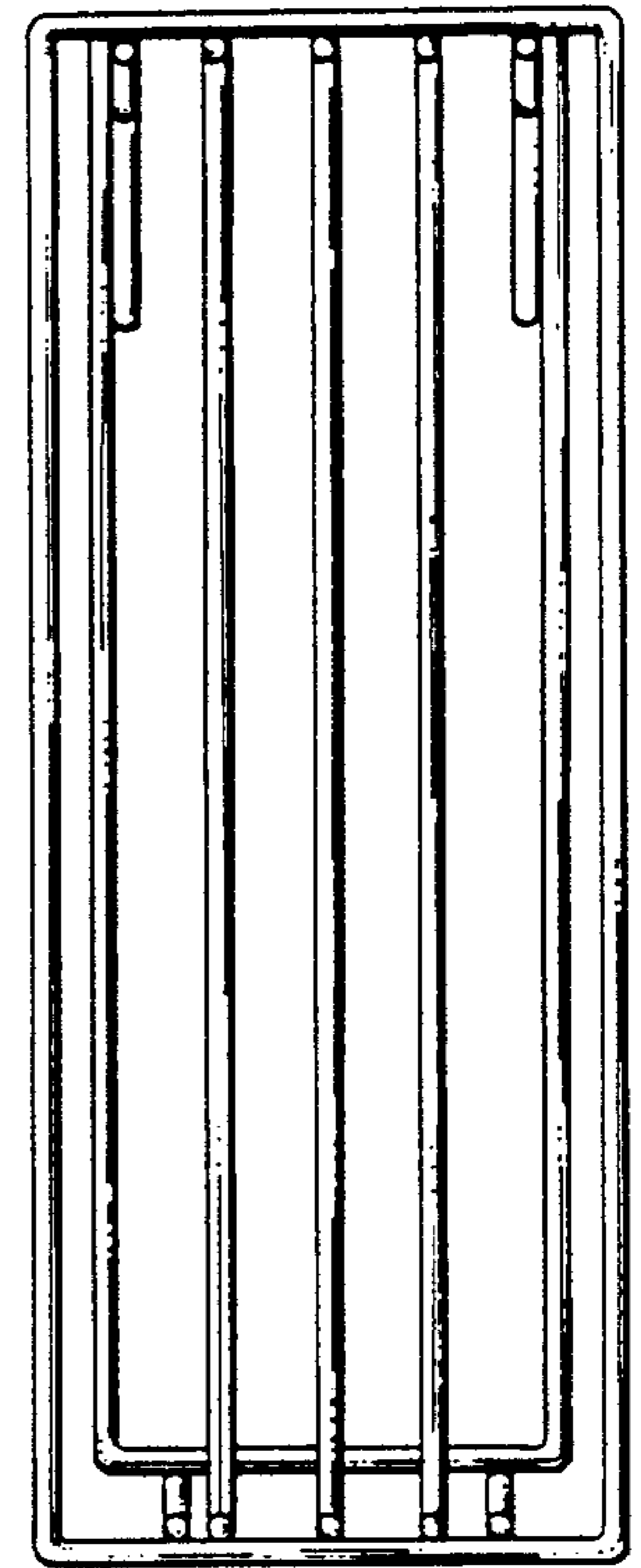
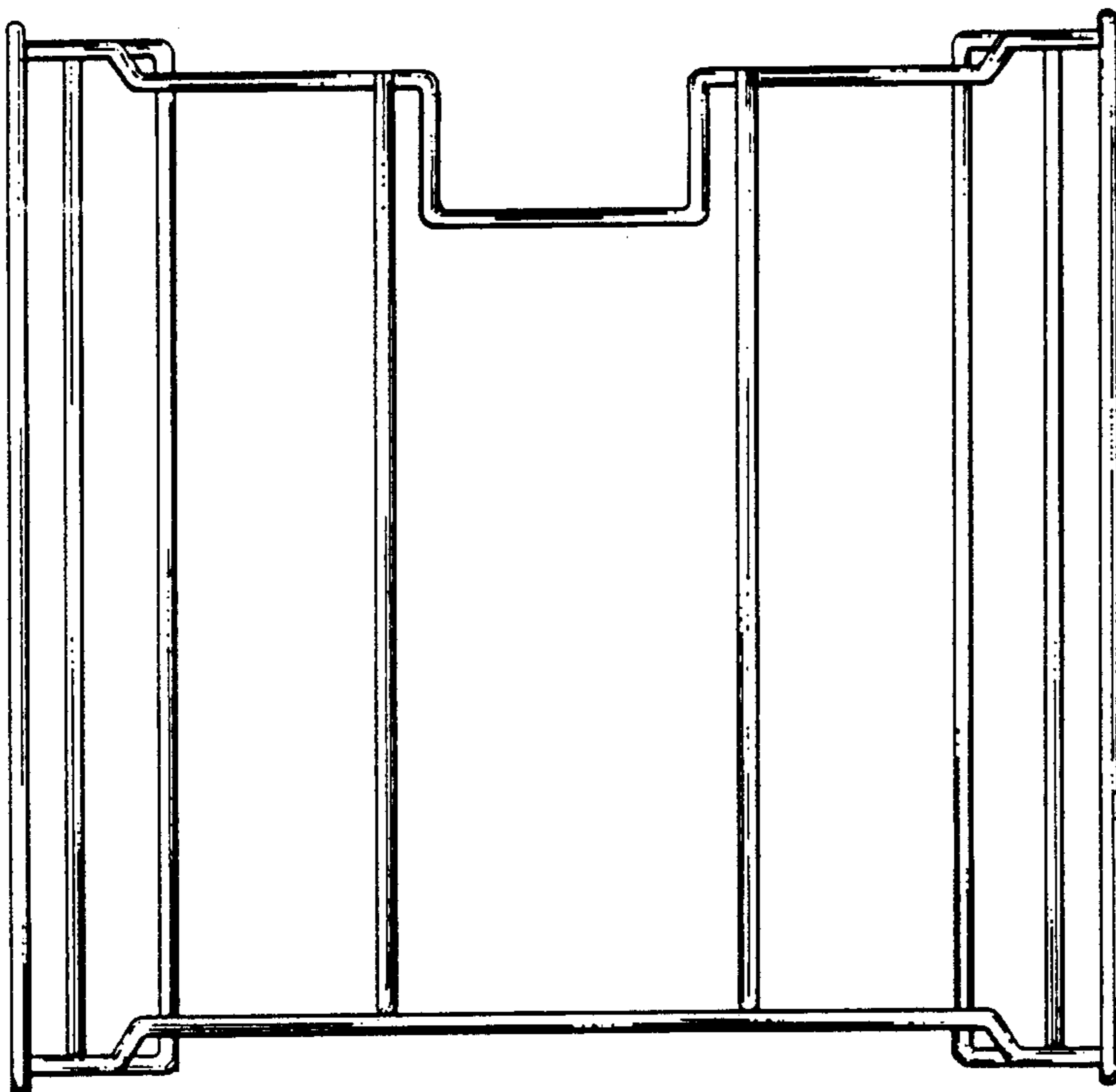


FIG. 4

FIG. 5

