

[54] COMPUTER TABLE

[76] Inventors: **Hoe S. Ng; Kim S. Chua**, both of 319-H, Lorong Buang Kok, Singapore, 1954

[\*\*] Term: **14 Years**

[21] Appl. No.: **73,546**

[22] Filed: **Jul. 15, 1987**

[52] U.S. Cl. .... **D6/426; D6/428; D34/20**

[58] Field of Search ..... **D6/422, 426, 427, 428, D6/474, 478, 477, 479, 487; D34/14, 21, 20**

[56] **References Cited**

**U.S. PATENT DOCUMENTS**

- D. 282,023 1/1986 Sottsass et al. .... D6/422
- D. 283,094 3/1986 Strand et al. .... D6/478
- D. 302,890 8/1989 Ng et al. .... D6/487 X

**OTHER PUBLICATIONS**

Global catalog, ©1985, p. 75.  
OPD, 9/1985, p. 155, Terminal Stand.  
OPD, 1/1981, p. 69, Systems Furn. Co.

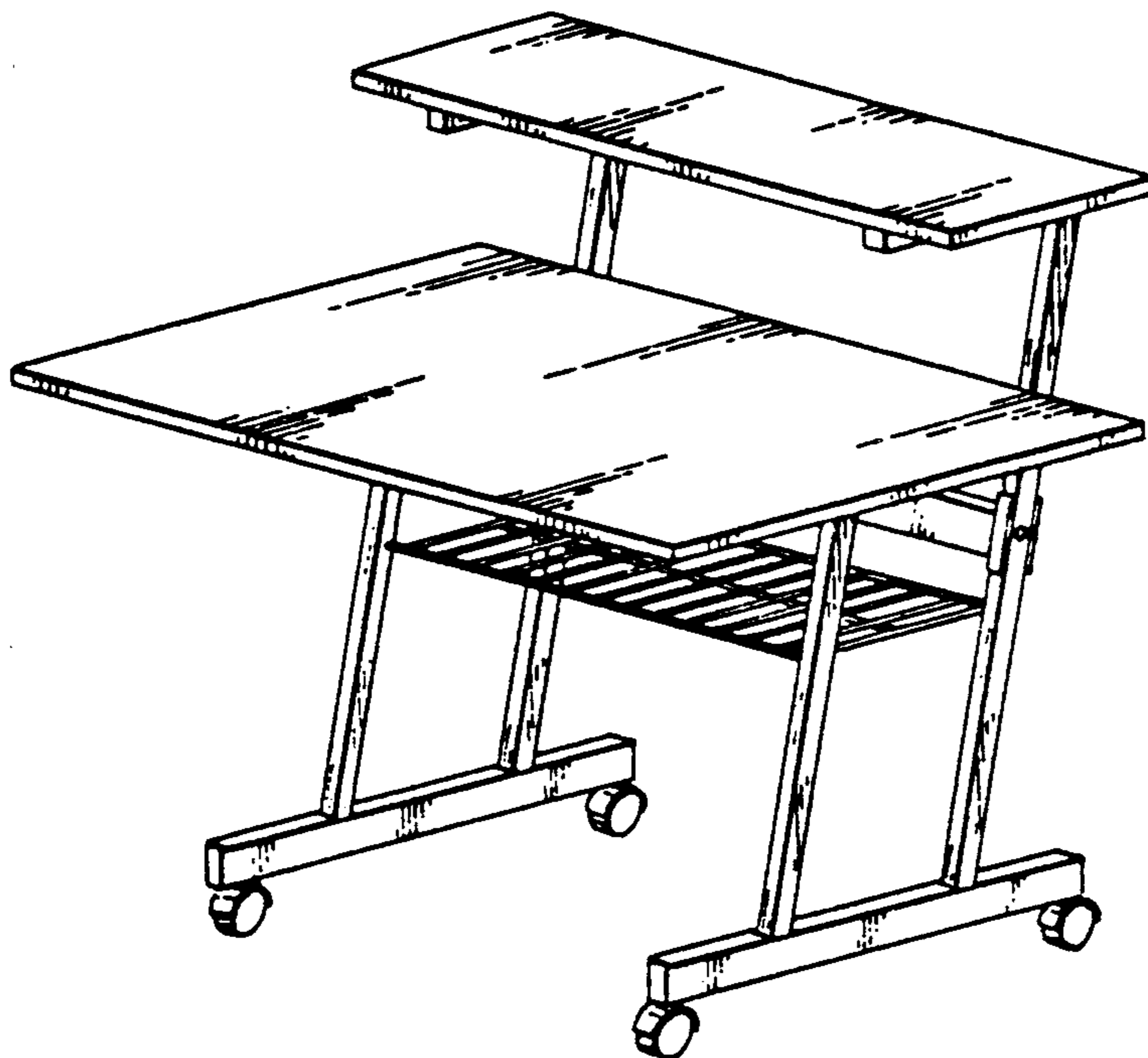
*Primary Examiner*—Bruce W. Dunkins  
*Assistant Examiner*—Jeffrey Asch  
*Attorney, Agent, or Firm*—Fleit, Jacobson, Cohn, Price, Holman & Stern

[57] **CLAIM**

The ornamental design for a computer table, as shown.

**DESCRIPTION**

FIG. 1 is a front and right side perspective view of a computer table showing our new design; FIG. 2 is a top plan view thereof; FIG. 3 is a front elevational view thereof; FIG. 4 is a rear elevational view thereof; FIG. 5 is a left side elevational view thereof; and FIG. 6 is a bottom plan view thereof.



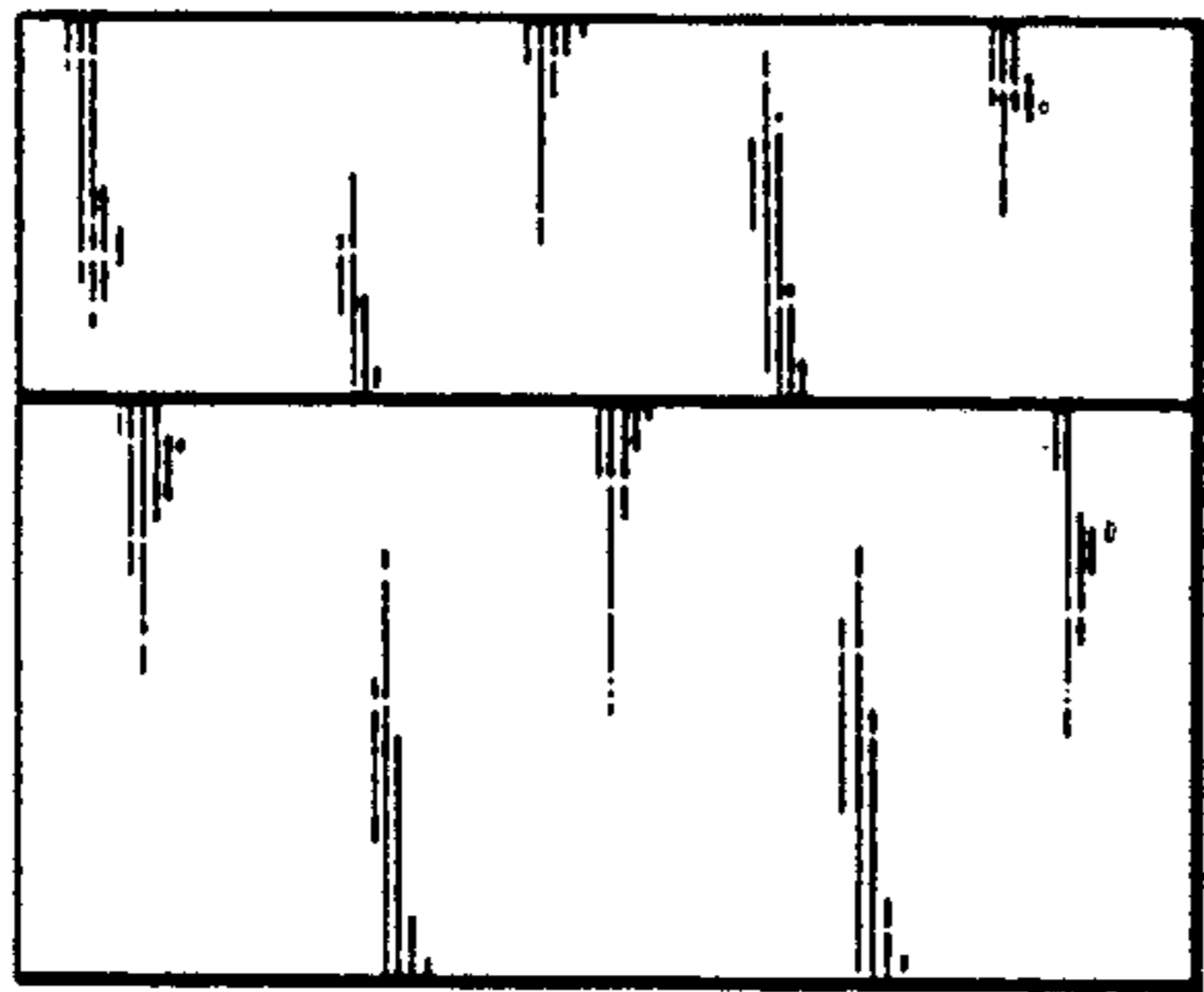


FIG. 2.

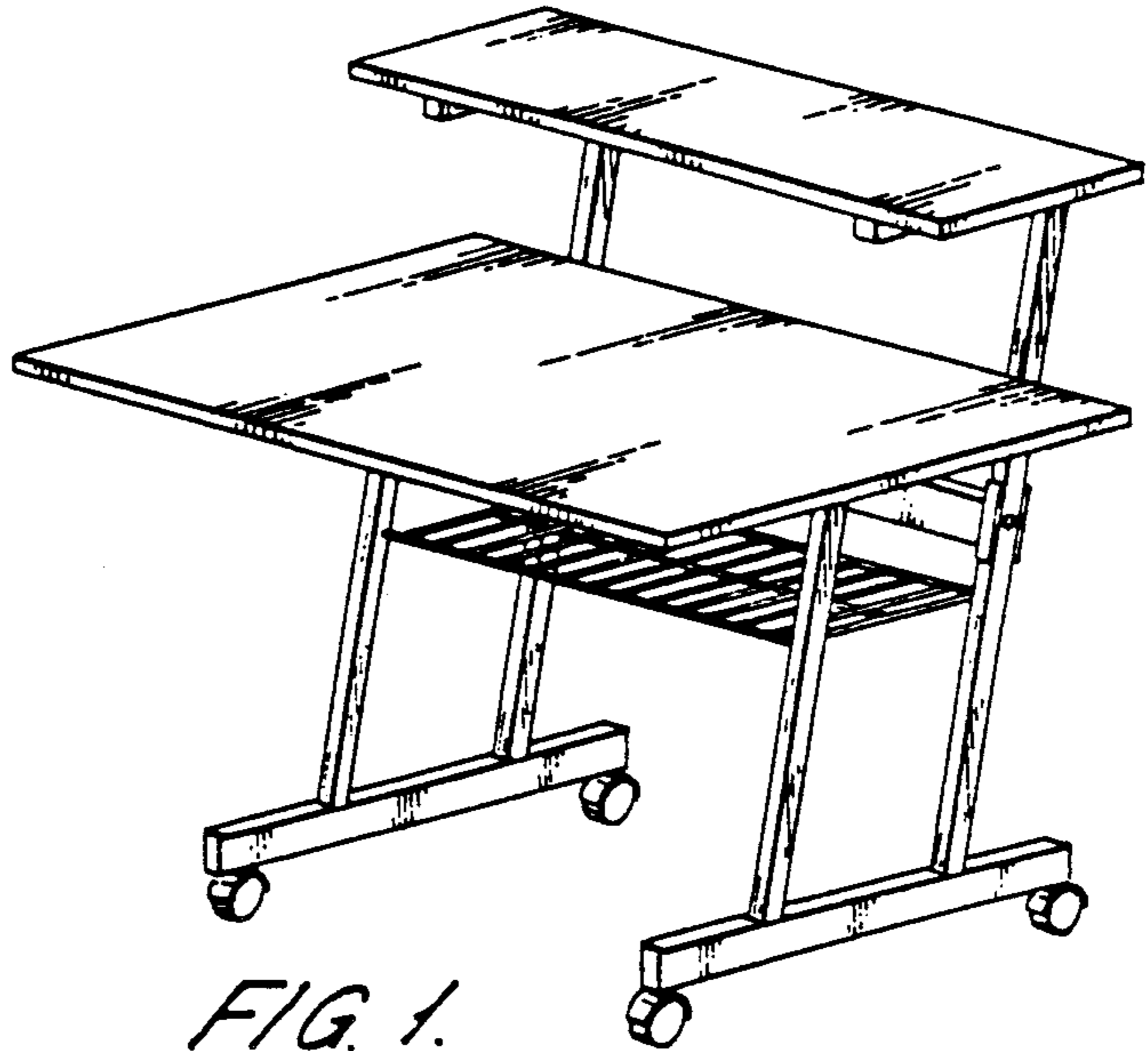


FIG. 1.

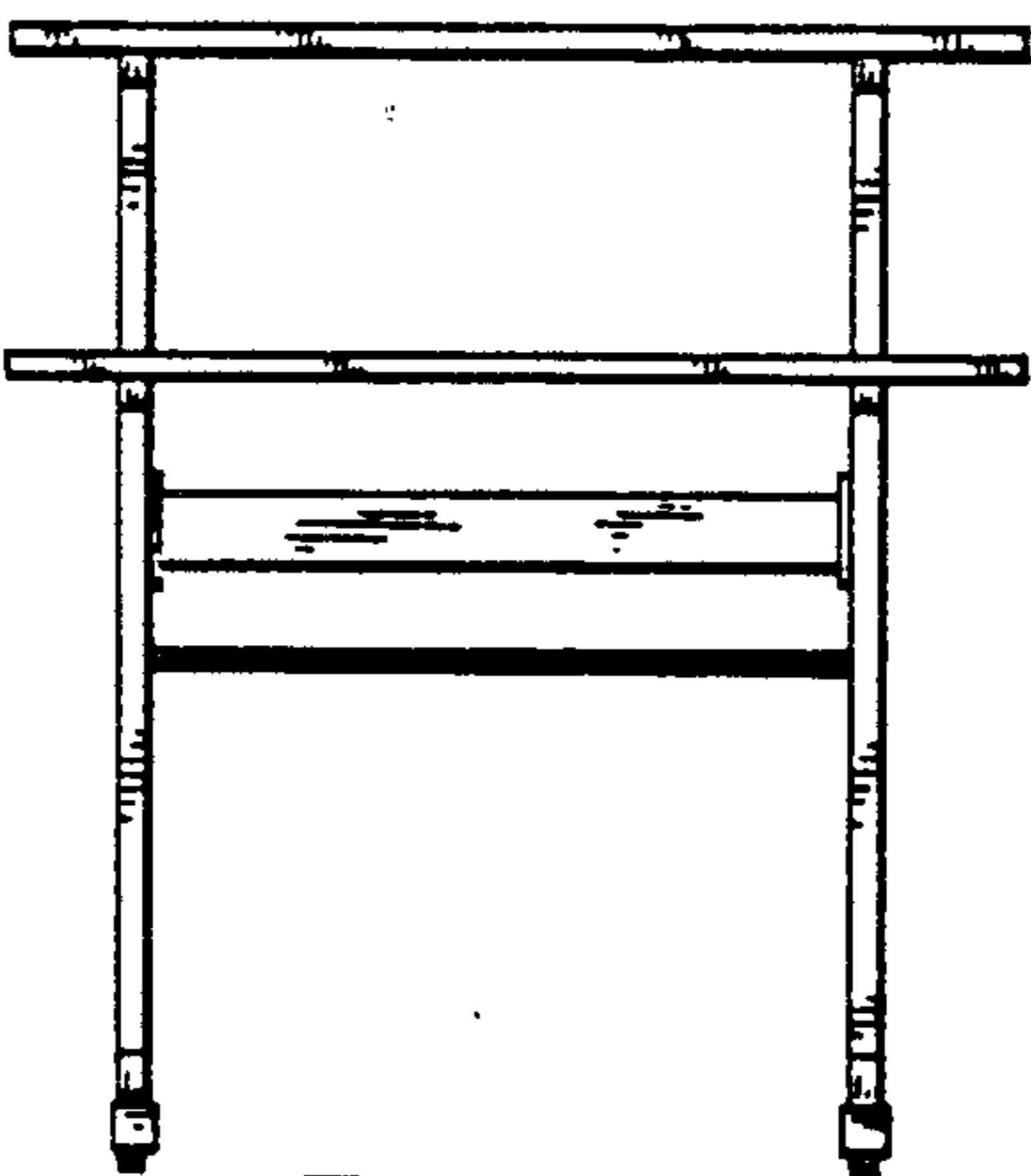


FIG. 3.

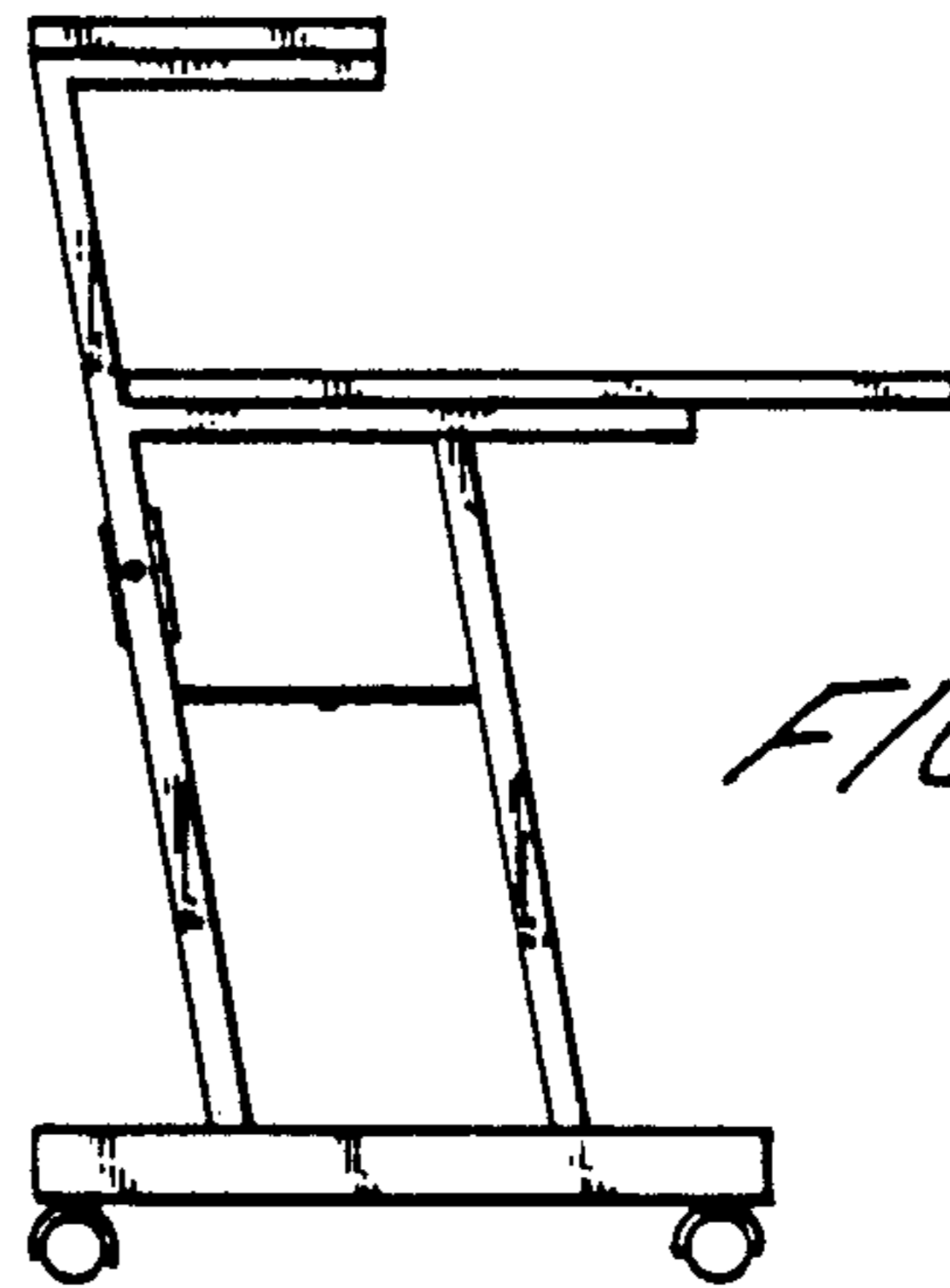


FIG. 5.

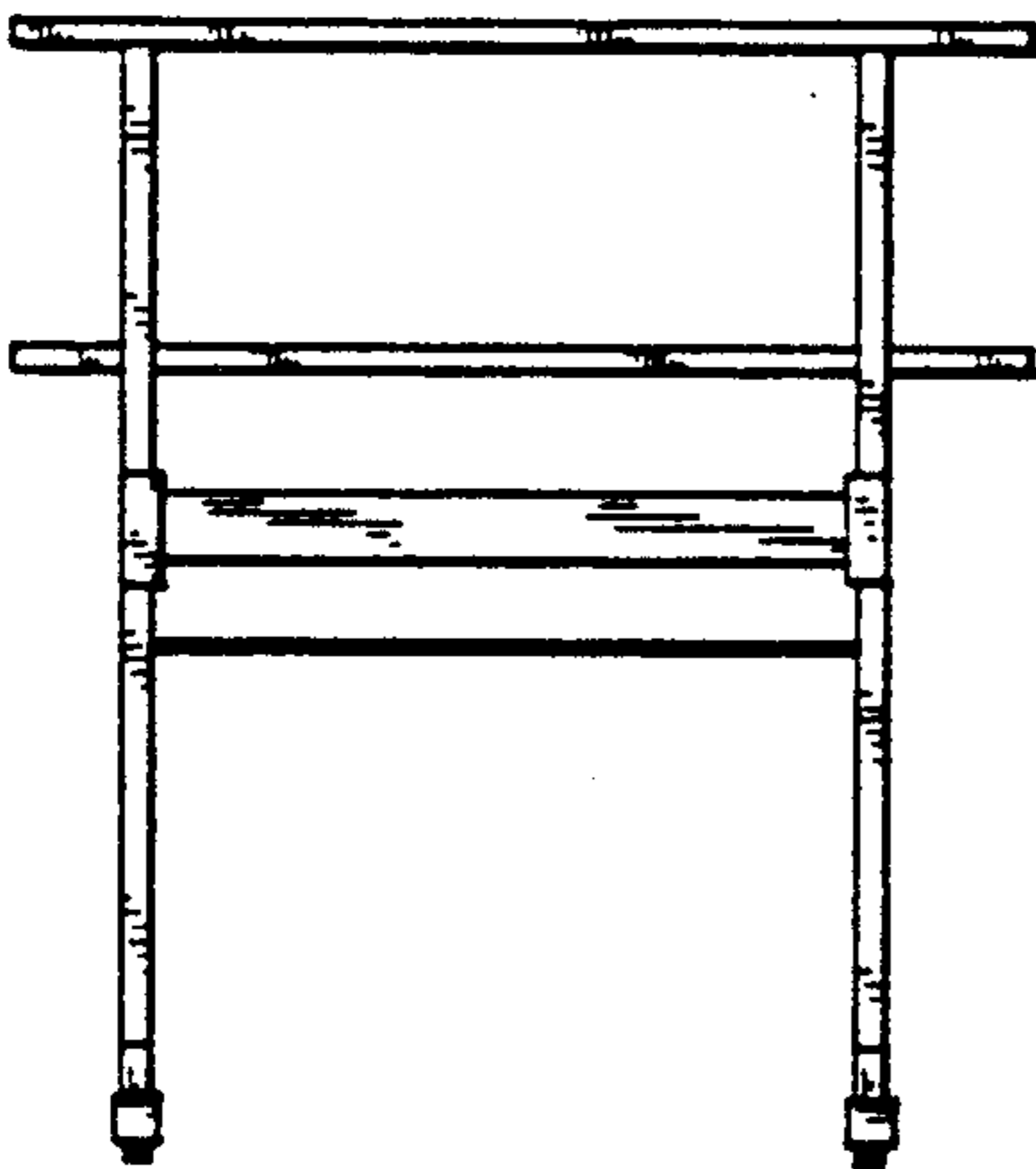


FIG. 4.

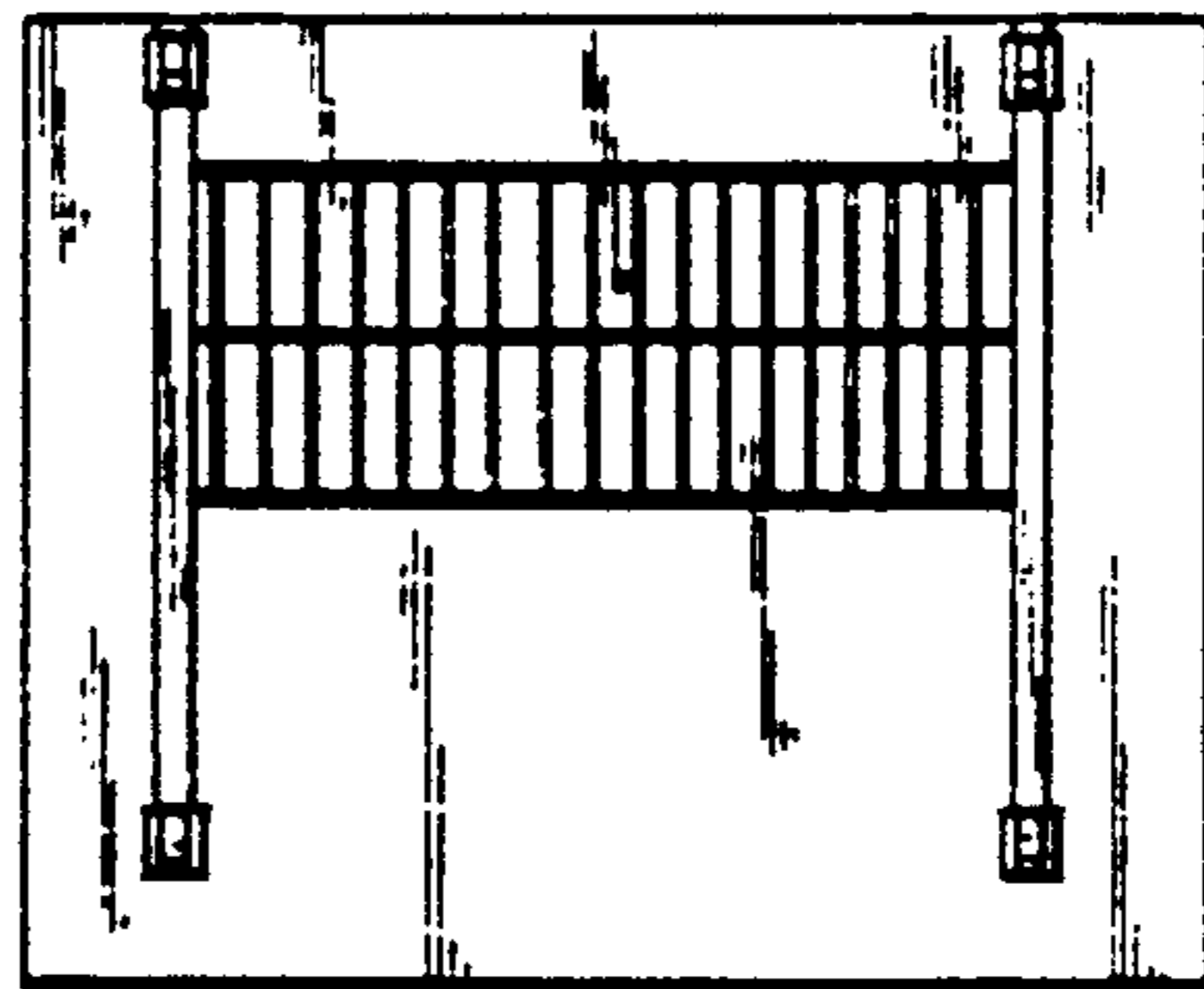


FIG. 6.